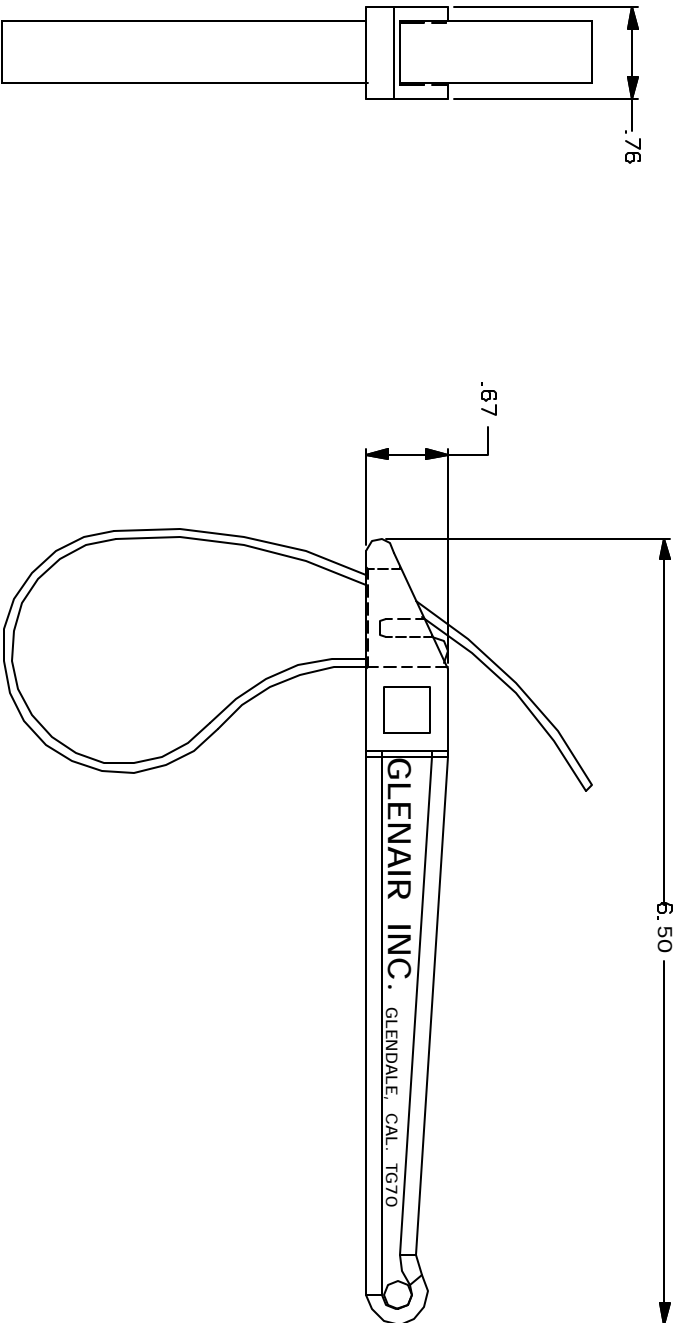


REVISIONS			
REV. SYM	EGG NUMBER	DESCRIPTION	DATE
1		ORIGINAL RELEASE	04-21-05



**UNCONTROLLED DOCUMENT  
WILL NOT BE UPDATED**

<b>RESTRICTED &amp; CONFIDENTIAL</b> CONFIDENTIAL PROPERTY OF DANIELS MANUFACTURING CORP. NOT TO BE DISCLOSED TO OTHERS; REPRODUCED OR USED FOR ANY OTHER PURPOSE EXCEPT AS AUTHORIZED IN WRITING. MUST BE RETURNED TO DANIELS MANUFACTURING CORP. ON COMPLETION OF ORDER OR OTHER PURPOSE FOR WHICH LENT.		MATERIAL FINISH HEAT TREAT		ITEM DRW: Tony Dilworth GRD: JMJ DATE: 04-21-05 DATE: 04-21-05 DATE:		PART NO. DATE:		QTY. DATE:		DESCRIPTION/REMARKS <b>DANIELS MANUFACTURING CORP.</b> <b>ORLANDO, FLORIDA</b> <b>CAGE 11851</b> <b>STRAP WRENCH</b> <b>ENVELOPE DRAWING</b>	
CREATED FROM AN INVENTOR MODEL. CHANGES MUST BE REFLECTED IN THE 3D PART		NOTE: THIS DRAWING IS AN OUTLINE DRAWING OF THE RESPECTIVE DMC PART NUMBER INDICATED. ACTUAL DMC PART NUMBER IS DRAWING NUMBER WITH THE "ENV" SUFFIX		WHERE USED: SIZE: B SCALE: NTS POSTING:		CAD P/N: TG70-ENV DMC No: TG70-ENV		SHEET OF: 1 1 REV: 1		DO NOT SCALE DRAWING	

# Mouser Electronics

Authorized Distributor

Click to View Pricing, Inventory, Delivery & Lifecycle Information:

[Daniels Manufacturing:](#)

[TG70](#)