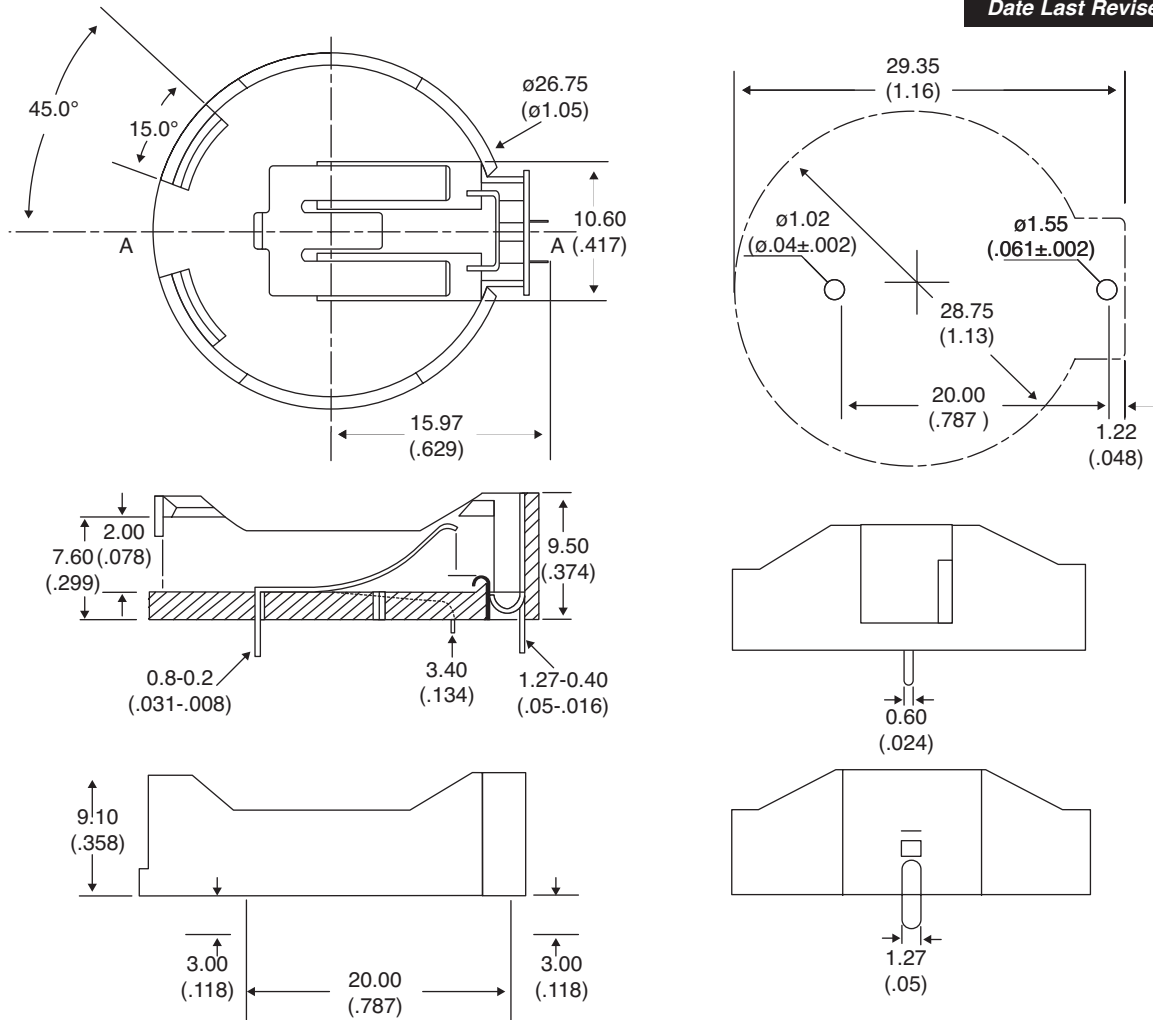


Date Last Revised: 4-4-12



DIMENSIONS: mm (in.)

## ELECTRICAL SPECIFICATIONS

<b>Voltage:</b>	250VAC
<b>Contact Resistance:</b>	20m $\Omega$ max
<b>Insulator Resistance:</b>	100M $\Omega$ at DC 500V
<b>Dielectric Strength:</b>	AC1000V Per minute
<b>Operation Temperature:</b>	-40°C to -85°C

## MATERIAL SPECIFICATIONS

<b>Insulator:</b>	Glass Siled PBT
<b>Contact:</b>	Phosphor Bronze
<b>Contact Finian:</b>	Tin/Lead (80u $^{\circ}$ -200u $^{\circ}$ ) over all
RoHS Compliant	

Available from Mouser Electronics  
1-800-346-6873  
www.mouser.com

EPD-200698

# Mouser Electronics

Authorized Distributor

Click to View Pricing, Inventory, Delivery & Lifecycle Information:

[Eagle Plastic Devices:](#)

[122-27324-GR](#)