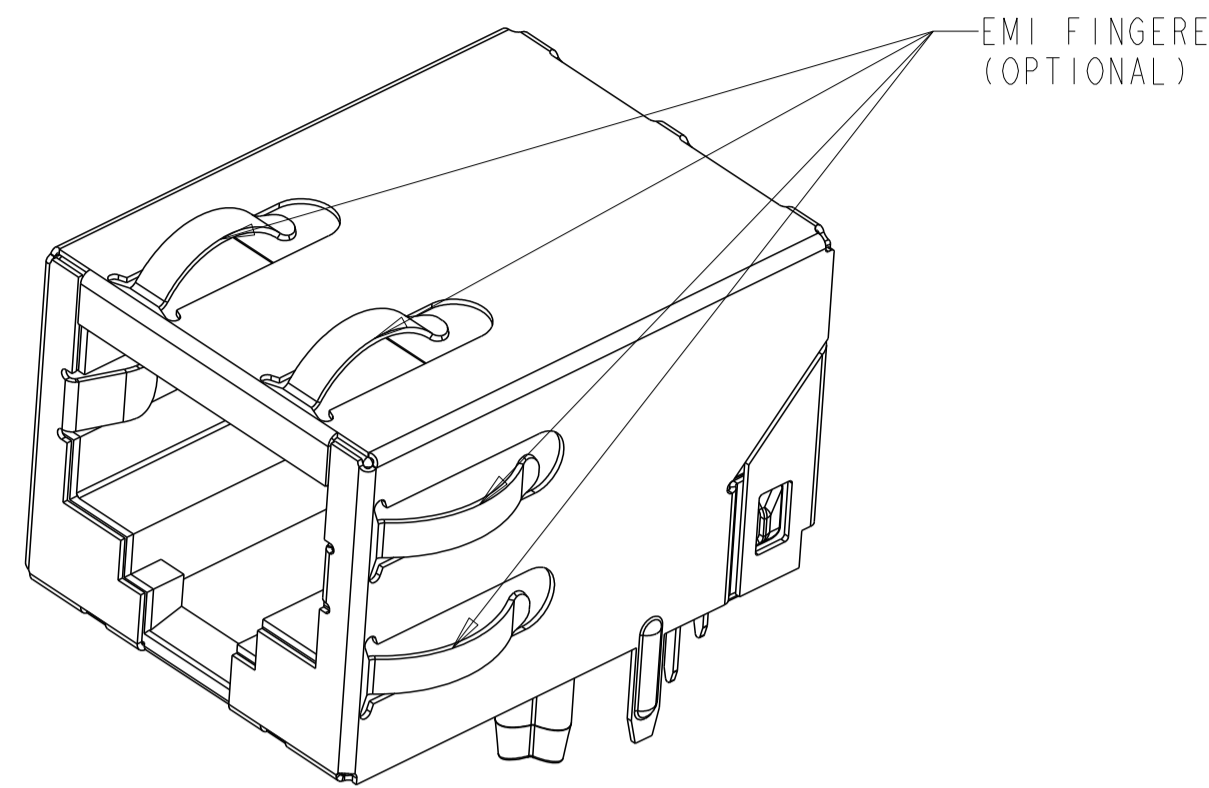
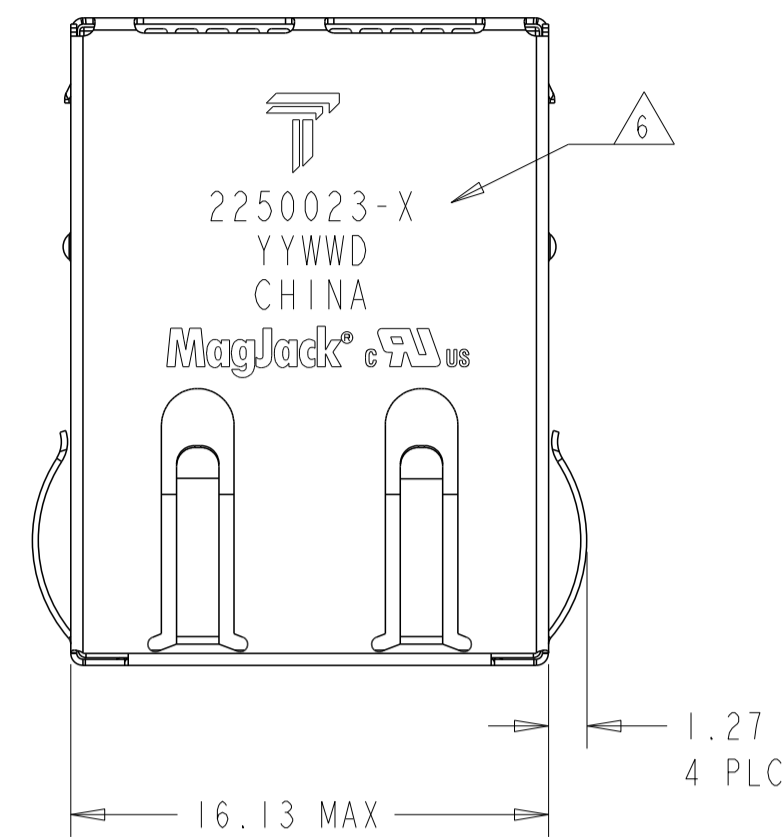


THIS DRAWING AND THE SUBJECT MATTER SHOWN THEREON ARE CONFIDENTIAL AND THE PROPERTY OF BEL/STEWART/TRP CONNECTOR AND SHALL NOT BE REPRODUCED, COPIED, OR USED IN ANY MANNER WITHOUT THE WRITTEN CONSENT OF TRP CONNECTOR.

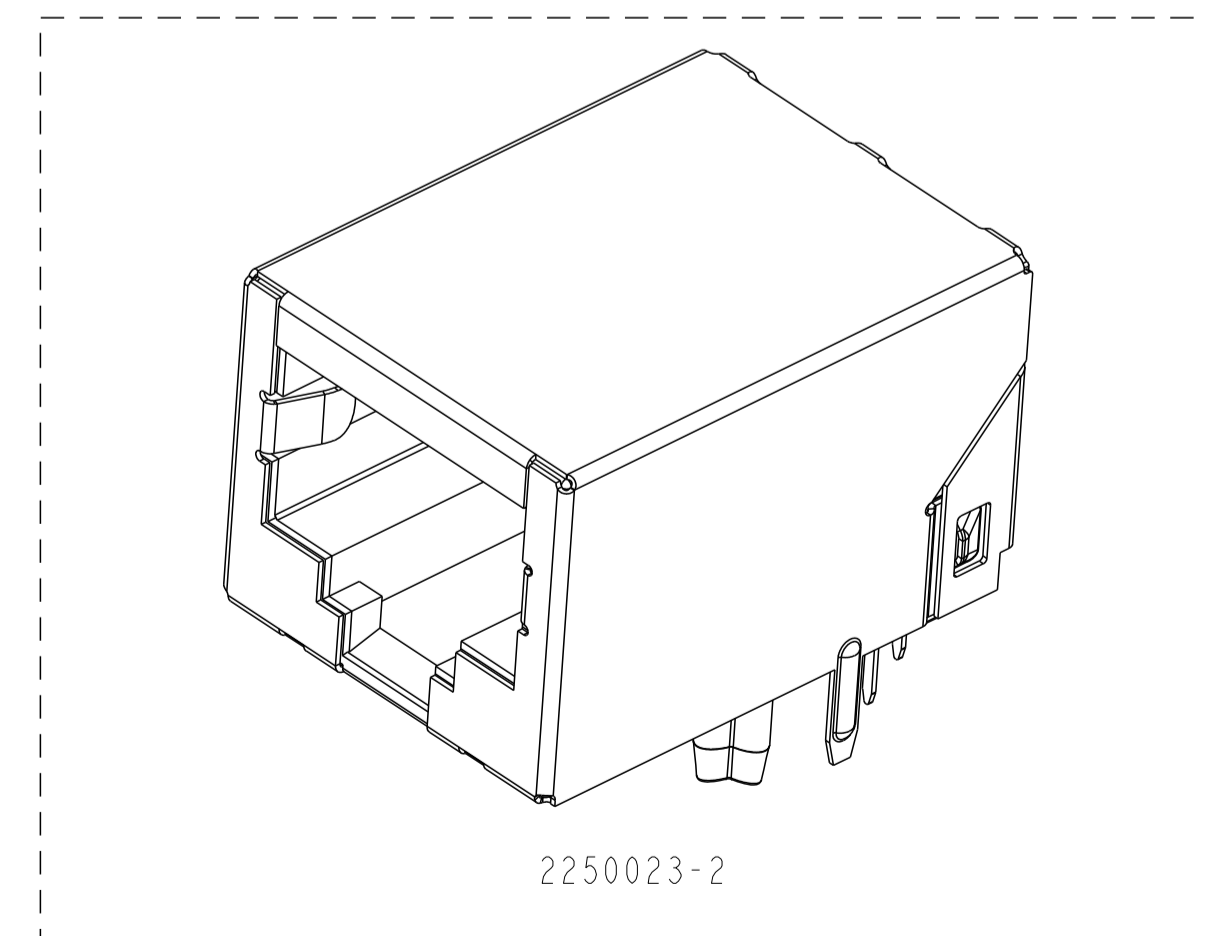
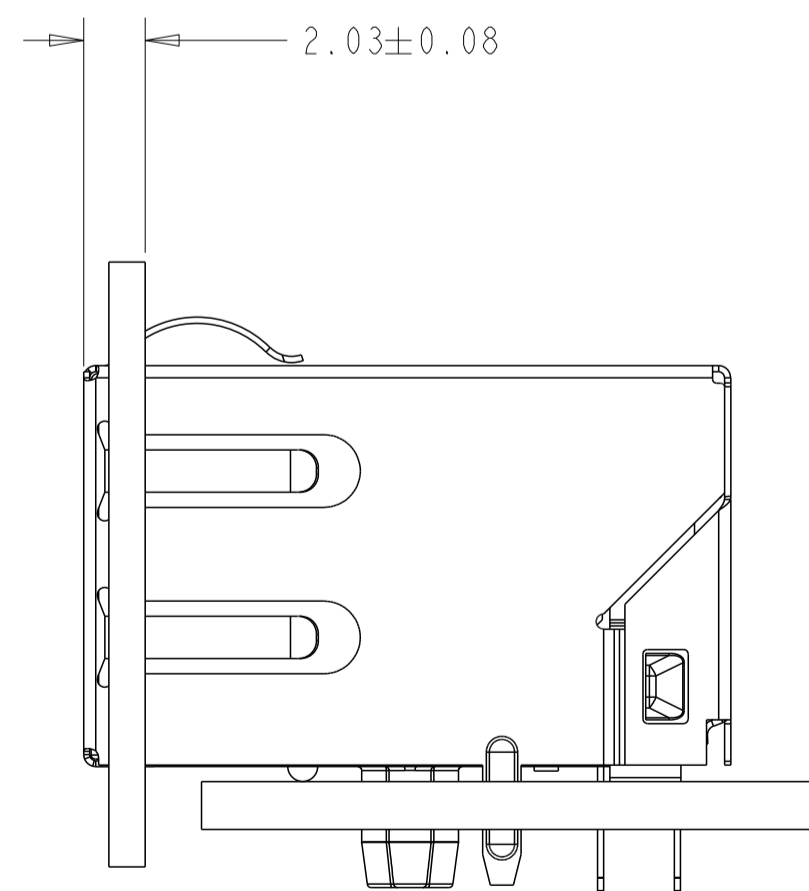
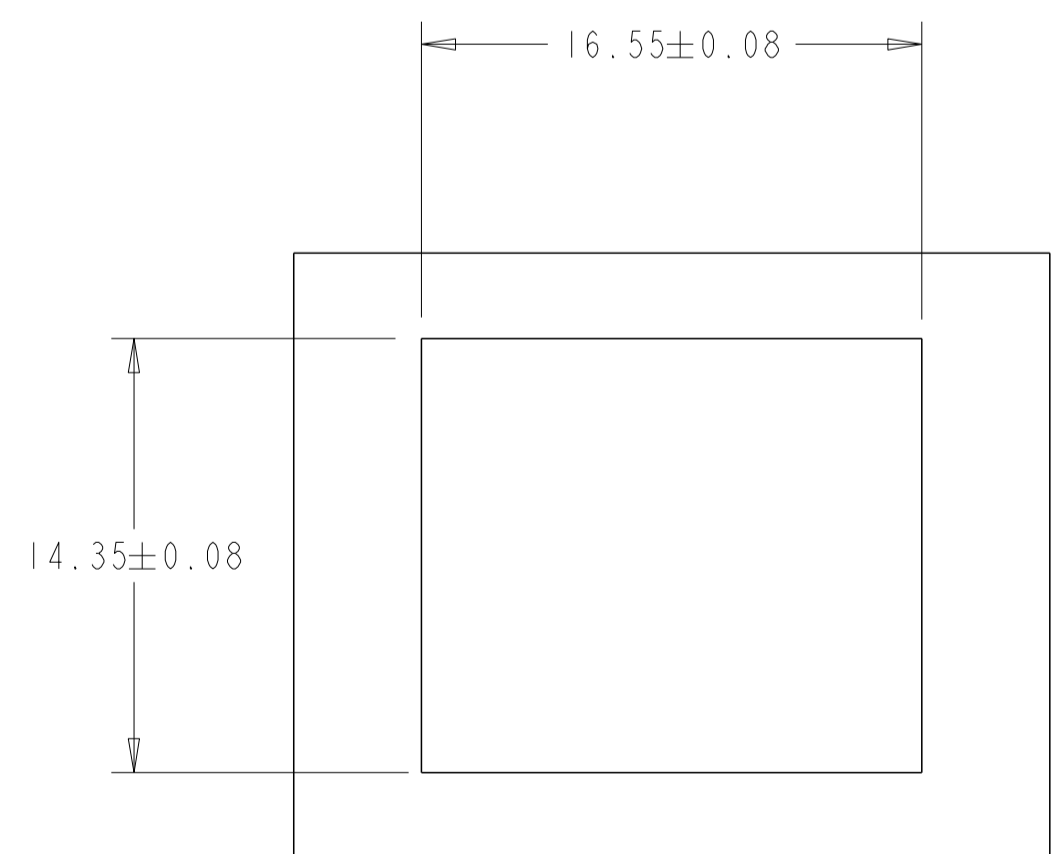
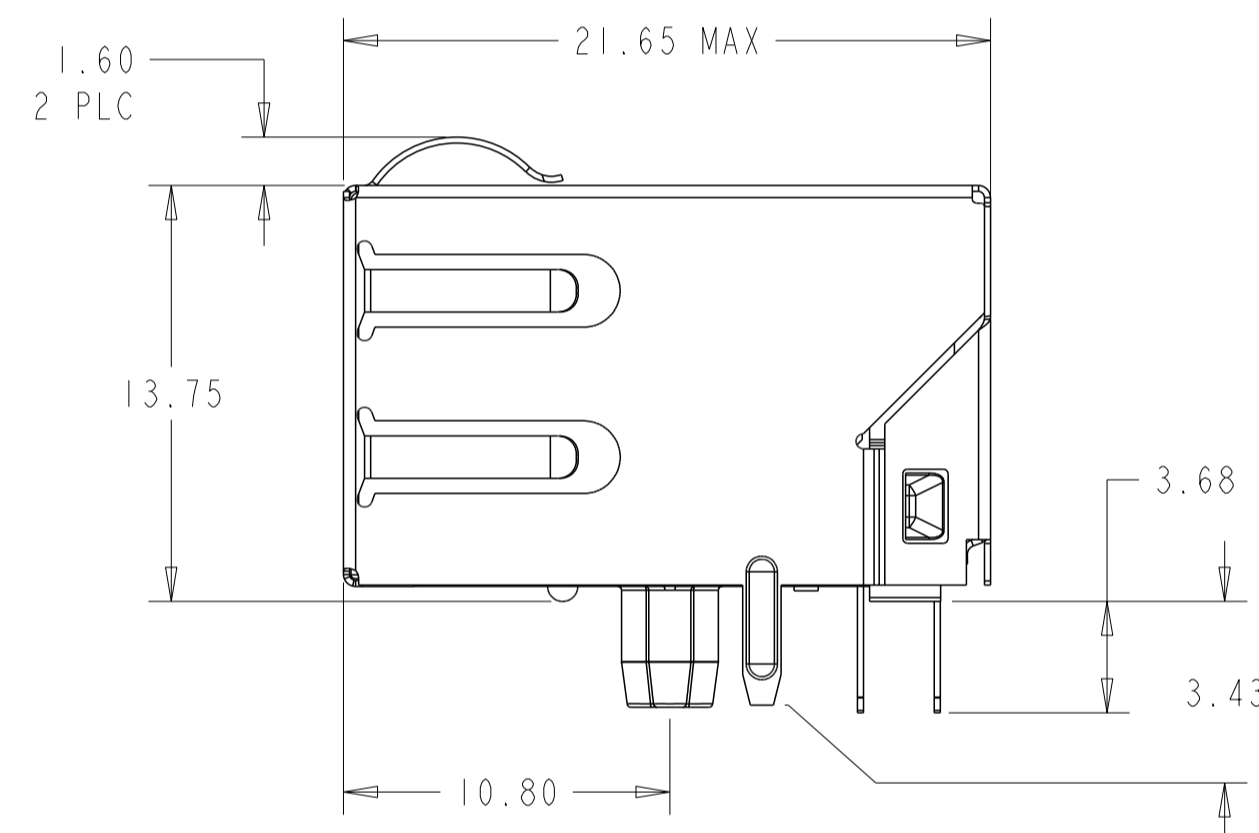
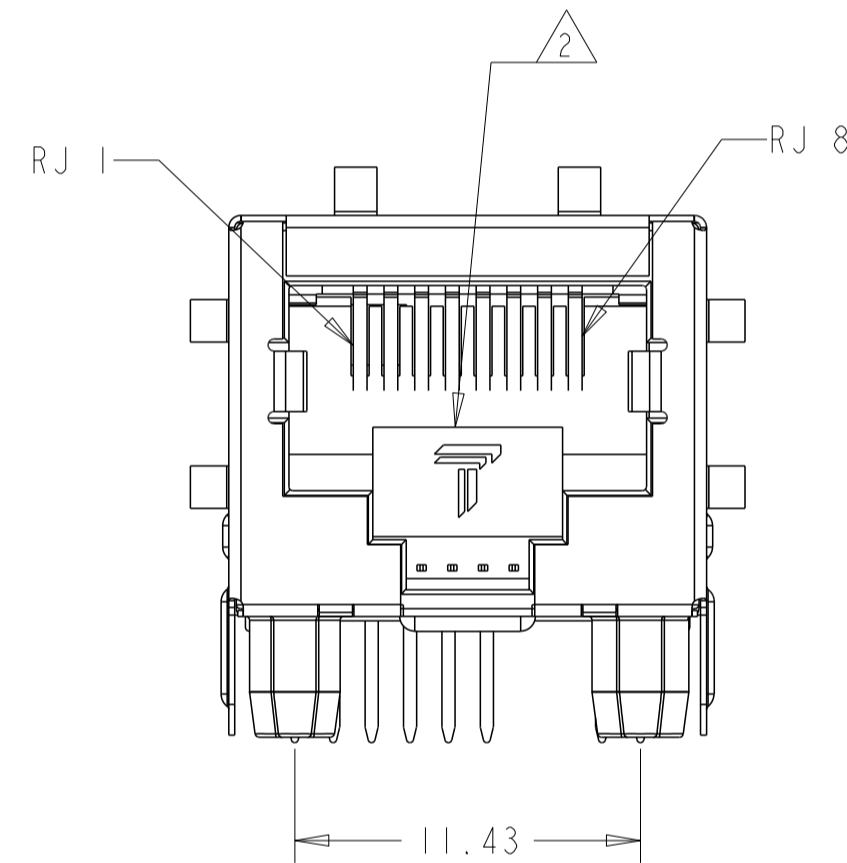
PRODUCT MAY BE PROTECTED BY ONE OR MORE OF THE FOLLOWING US PATENTS:
 5736910 5939955 6425781 6428361 6554638 6840817 7123117
 7429195 7717749 7808751 6217391 6149050 7924130

REVISIONS				
P	LTN	DESCRIPTION	DATE	OWN APVD
1		INITIAL RELEASE	28MAY2013	RL TY
2		SEE LAST SHEET	24NOV2014	TYR TYN



NOTES:

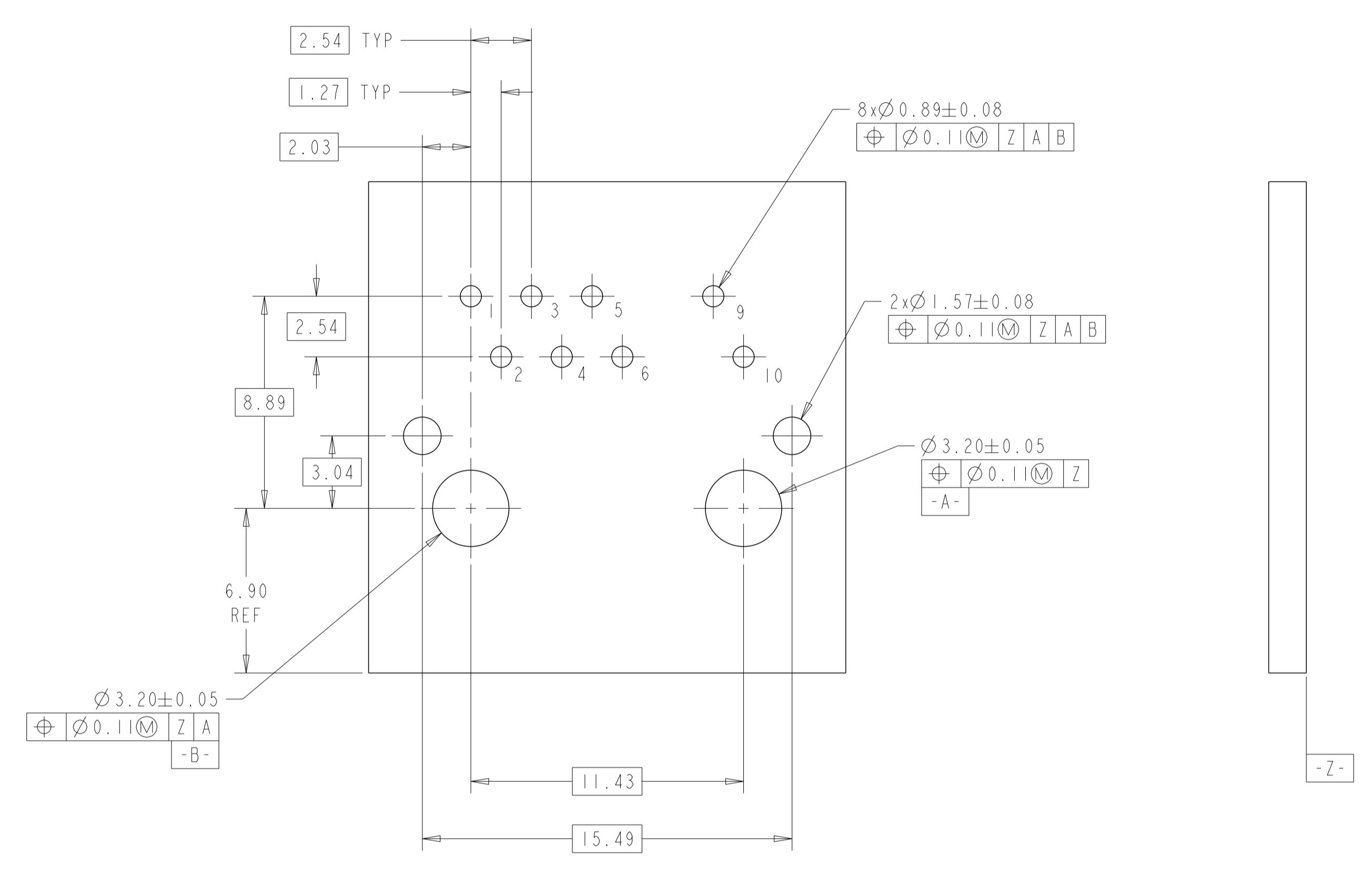
- 1 MATERIALS
 - HOUSING: THERMOPLASTIC, FLAMMABILITY RATING UL 94V-0.
 - SHIELD: BRASS 0.008 INCH THICK, PREPLATED WITH 30μINCH MIN SEMI-BRIGHT NICKEL. SOLDER TABS POST DIPPED WITH 100μINCH MIN SAC SOLDER.
 - CONTACTS: PHOSPHOR BRONZE 0.46mm X 0.30mm, PHOSPHOR BRONZE, 1.27μM MIN NICKEL UNDERPLATE, WITH 1.27μM MIN GOLD PLATING AT MATING INTERFACE AND 2.54μM MIN MATTE TIN ON SOLDER TAILS, OR 1.27μM MIN NICKEL UNDERPLATE, WITH 0.05μM GOLD PLATING OVER 0.76μM MIN PALLADIUM NICKEL PLATING AT MATING INTERFACE AND 2.54μM MIN MATTE TIN ON SOLDER TAILS.
 - SOLDER TAILS: 0.25mm THICK, PHOSPHOR BRONZE, 1.27μM MIN OVERALL NICKEL UNDERPLATE, 3μM TIN PLATE
- 2 RJ45 JACK CAVITY CONFORMS TO FCC RULES AND REGULATIONS PART 68 SUB PART F.
- 3 MAGNETICS
 - APPLICATION: 10/100 BASE-T, PoE, EXTENDED TEMPERATURE
 - IMPEDANCE: 100 OHMS
 - TURNS RATIO (CHIP:CABLE): TX = 1:1, RX = 1:1
 - OPEN CIRCUIT INDUCTANCE (OCL): 350μH MIN @100kHz, 0.1VRMS, 8mADC BIAS FROM -40°C TO +85°C, TX AND RX
 - POE CURRENT: 350mADC MAX
 - PERFORMANCE @ 25°C:
 - INSERTION LOSS (IL): 1.1dB MAX FROM 0.5MHz TO 100MHz
 - RETURN LOSS (RL): 18dB MIN FROM 0.5MHz TO 30MHz
 - 18-20LOG(f/30)dB MIN FROM 30.1MHz TO 60MHz
 - 12dB MIN FROM 60.1MHz TO 80MHz
 - CROSSTALK ATTENUATION: 35dB MIN FROM 0.5MHz TO 40MHz
 - 33-20LOG(f/50)dB MIN FROM 40.1MHz TO 100MHz
 - COMMON MODE REJECTION RATIO (CMRR): 30dB MIN FROM 0.5MHz TO 100MHz
 - ISOLATION VOLTAGE: 2250VDC FOR 60 SECONDS WITH A RISE TIME OF 500 V/SEC
- 4. OPERATING TEMPERATURE: FROM -40°C TO +85°C.
- 5 INDICATED MAGNETIC CONNECTIONS ARE SYMMETRICAL TO SUPPORT AUTO-MDI/MDIX.
- 6 TRP CONNECTOR LOGO, PART NUMBER, DATE CODE, COUNTRY OF ORIGIN AND AGENCY APPROVAL MARKING IN APPROXIMATE LOCATION SHOWN.
- 7. PART SHOULD BE RECOMMENDED FOR WAVE SOLDERING PROCESS, PREHEAT TEMPERATURE IS 120°C TO 160°C, 120 SECONDS TO 180 SECONDS, PEAK WAVE SOLDERING TEMPERATURE IS 260°C MAX, 10 SECONDS MAX.
- 8. 2250023-1 SHOWN UNLESS OTHERWISE NOTED



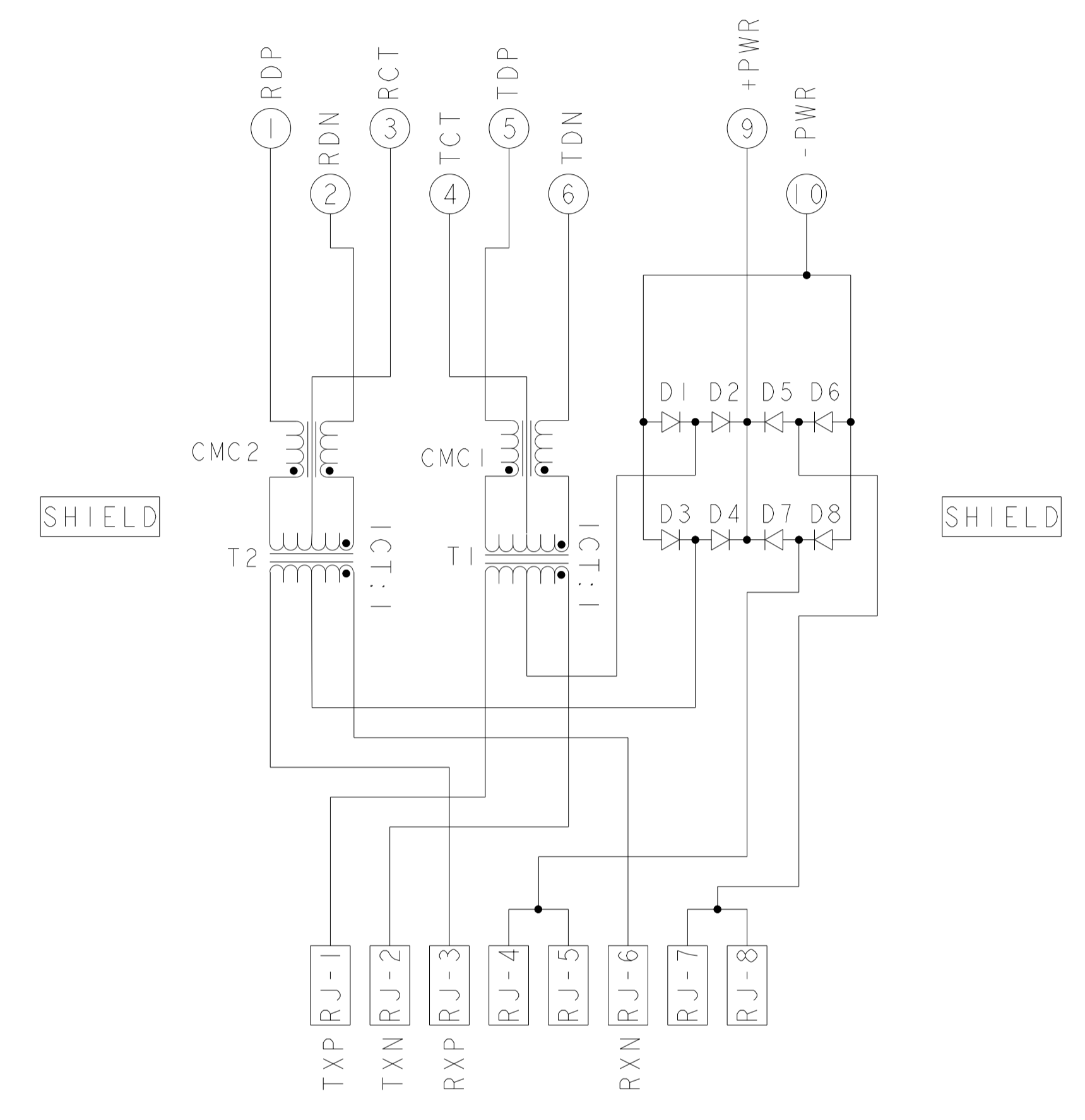
NO	2250023-2
YES	2250023-1
EMI FINGERS	PART NUMBER

THIS DRAWING IS A CONTROLLED DOCUMENT.		OWN: ROY LIU 27MAY2013	DONGGUAN CHINA a bel group
DIMENSIONS: mm		CHK: TOWER YU / FRANK LIU 27MAY2013	
TOLERANCES UNLESS OTHERWISE SPECIFIED: 0 PLC ±0.25 1 PLC ±0.25 2 PLC ±0.25 3 PLC ± 4 PLC ± ANGLES ± APPLICATION SPEC		APVD: TONY YUAN 27MAY2013	
PRODUCT SPEC		MODEL NAME: MAGJACK SINGLE PoE	DESC: IXI 4DI43ET 10/100 PoE TAB DOWN W/O LED
		SIZE: A1	RESTRICTED TO: -
		CUSTOMER DRAWING	SCALE: 4:1 SHEET 1 OF 3 REV 2


4DI43ET 10/100 BASE-T PoE CIRCUIT  




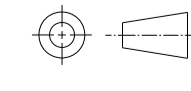
SUGGESTED CUSTOMER PCB
 COMPONENT SIDE



DI-D8 = RECTIFIER DIODE
 -FORWARD VOLTAGE, $V_f = 1.2V \text{ MAX @ } I_f = 0.5A$
 -FORWARD CURRENT, $I_f = 0.5A \text{ MAX}$
 -REVERSE VOLTAGE, $V_r = 80V \text{ MAX}$

THIS DRAWING IS A CONTROLLED DOCUMENT.		OWN ROY LIU 27MAY2013	 trp CONNECTOR a bel group DONGGUAN CHINA
DIMENSIONS: mm		CHK TOWER YU/ FRANK LIU 27MAY2013	
TOLERANCES UNLESS OTHERWISE SPECIFIED:		APP'D TONY YUAN 27MAY2013	MODEL NAME MAGJACK SINGLE PoE
0 PLC ± 0.25 1 PLC ± 0.25 2 PLC ± 0.25 3 PLC ± 0.25 4 PLC ± 0.25 ANGLES \pm APPLICATION SPEC \pm		DESC IX1 4DI43ET 10/100 PoE TAB DOWN W/O LED	RESTRICTED TO -
PRODUCT SPEC		SIZE A1	CAGE CODE C=2250023
CUSTOMER DRAWING		SCALE 4:1	SHEET 2 OF 3 REV 2

C-2250023					STOCK DISPOSITION			
					A: CONTINUE AS IS B: REWORK C: SCRAP		D: USE OLD FIRST E: PARTS TO CONFORM F: OTHER	
REVISION HISTORY								
DATE	REV	CHANGES	REASON	APPROVAL	INVENTORY (A,B,C,D,E,F)	WORK IN PROCESS (A,B,C,F)	SUPPLIER ORDERS (A,E,F)	OPEN CUST ORDERS (A,E,F)
27MAY2013	1	-	INITIAL RELEASE	TONY YUAN	-	-	-	-
24NOV2014	2	SHEET 1, B3: ADD 2250023-2	MARKET REQUEST	TONY YUAN	-	-	-	-

THIS DRAWING IS A CONTROLLED DOCUMENT.		OWN ROY LIU 27MAY2013	 trp CONNECTOR <small>a bel group</small>	DONGGUAN CHINA		
DIMENSIONS: mm		CHK TOWER YU/ FRANK LIU 27MAY2013		DESC IX1 4D143ET 10/100 PoE TAB DOWN W/O LED		
		APP'D TONY YUAN 27MAY2013		MODEL NAME MAGJACK SINGLE PoE	SIZE A1	RESTRICTED TO -
DIMENSIONS: mm 0 PLC ±0.25 1 PLC ±0.25 2 PLC ±0.25 3 PLC ± 4 PLC ± ANGLES APPLICATION SPEC		TOLERANCES UNLESS OTHERWISE SPECIFIED: APPLICATION SPEC		DRAWING NO C=2250023	SCALE 4:1 SHEET 3 OF 3 REV 2	
PRODUCT SPEC			CUSTOMER DRAWING			