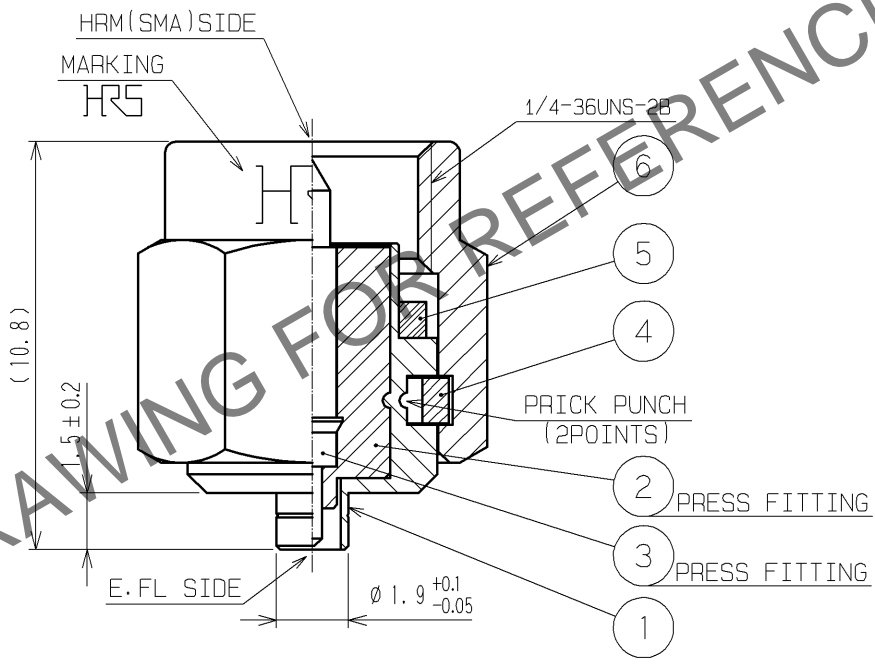
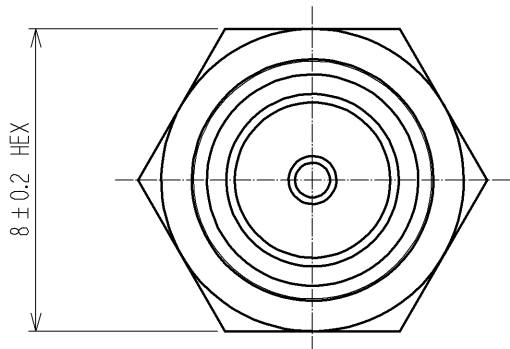


Jul.1.2024 Copyright 2024 HIROSE ELECTRIC CO., LTD. All Rights Reserved.
 In case of consideration for using Automotive equipment / device which demand high reliability, kindly contact our sales window correspondents.



NOTE. USE ONLY FOR ELECTRICAL MEASUREMENT
 BECAUSE OF NO LOCKING DEVICE IN MATING
 PORTION ON E. FL SIDE.

3	BRASS	GOLD PLATING	6	STAINLESS STEEL	PASSIVATE
2	PTFE		5	SILICONE RUBBER	(RED)
1	STAINLESS STEEL	NECKEL PLATING	4	BERYLLIUM COPPER	NICKEL PLATING
部番	材 質	处 理 , 備 考	部番	材 質	处 理 , 備 考
UNITS mm		SCALE 5 : 1		訂 正 記 事	設 計
HRS HIROSE ELECTRIC CO., LTD.	承 認 : IJ. MITANI	07. 01. 05	図 番 :	EDC4-130516-40	
	検 図 : KY. SHIMIZU	06. 12. 28	製 品 名 :	HRMP-E. FLJ (40)	
	設 計 : MT. KANEKO	06. 12. 28	製 品	CL311-0279-8-40	
	製 図 : TS. KANEKO	06. 12. 27	コ ー ド		
			1		