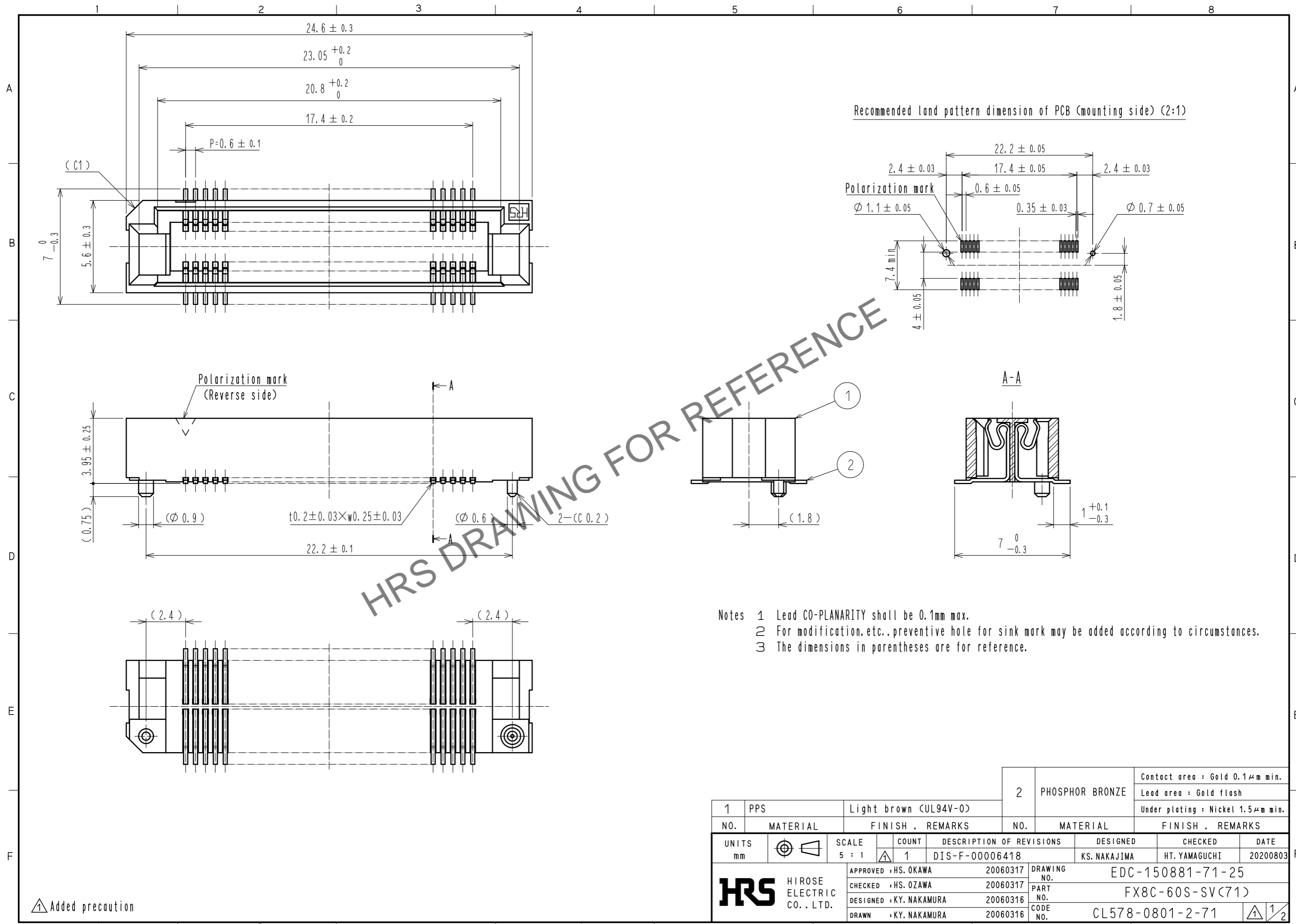


Jun.1.2024 Copyright 2024 HIROSE ELECTRIC CO., LTD. All Rights Reserved.
In case of consideration for using Automotive equipment / device which demand high reliability, kindly contact our sales window correspondents.



HRS DRAWING FOR REFERENCE

- Notes
- 1 Lead CO-PLANARITY shall be 0.1mm max.
 - 2 For modification, etc., preventive hole for sink mark may be added according to circumstances.
 - 3 The dimensions in parentheses are for reference.

1 PPS		Light brown (UL94V-0)		2 PHOSPHOR BRONZE		Contact area : Gold 0.1µm min.		
						Lead area : Gold flash		
						Under plating : Nickel 1.5µm min.		
NO.	MATERIAL	FINISH . REMARKS		NO.	MATERIAL	FINISH . REMARKS		
UNITS	⊕	SCALE	COUNT	DESCRIPTION OF REVISIONS		DESIGNED	CHECKED	DATE
mm		5 : 1	1	DIS-F-00006418		KS. NAKAJIMA	HT. YAMAGUCHI	20200803
HIROSE ELECTRIC CO., LTD.		APPROVED	20060317	DRAWING NO.		EDC-150881-71-25		
		CHECKED	20060317	PART NO.		FX8C-60S-SV(71)		
		DESIGNED	20060316	CODE NO.		CL578-0801-2-71		
		DRAWN	20060316					

Added precaution

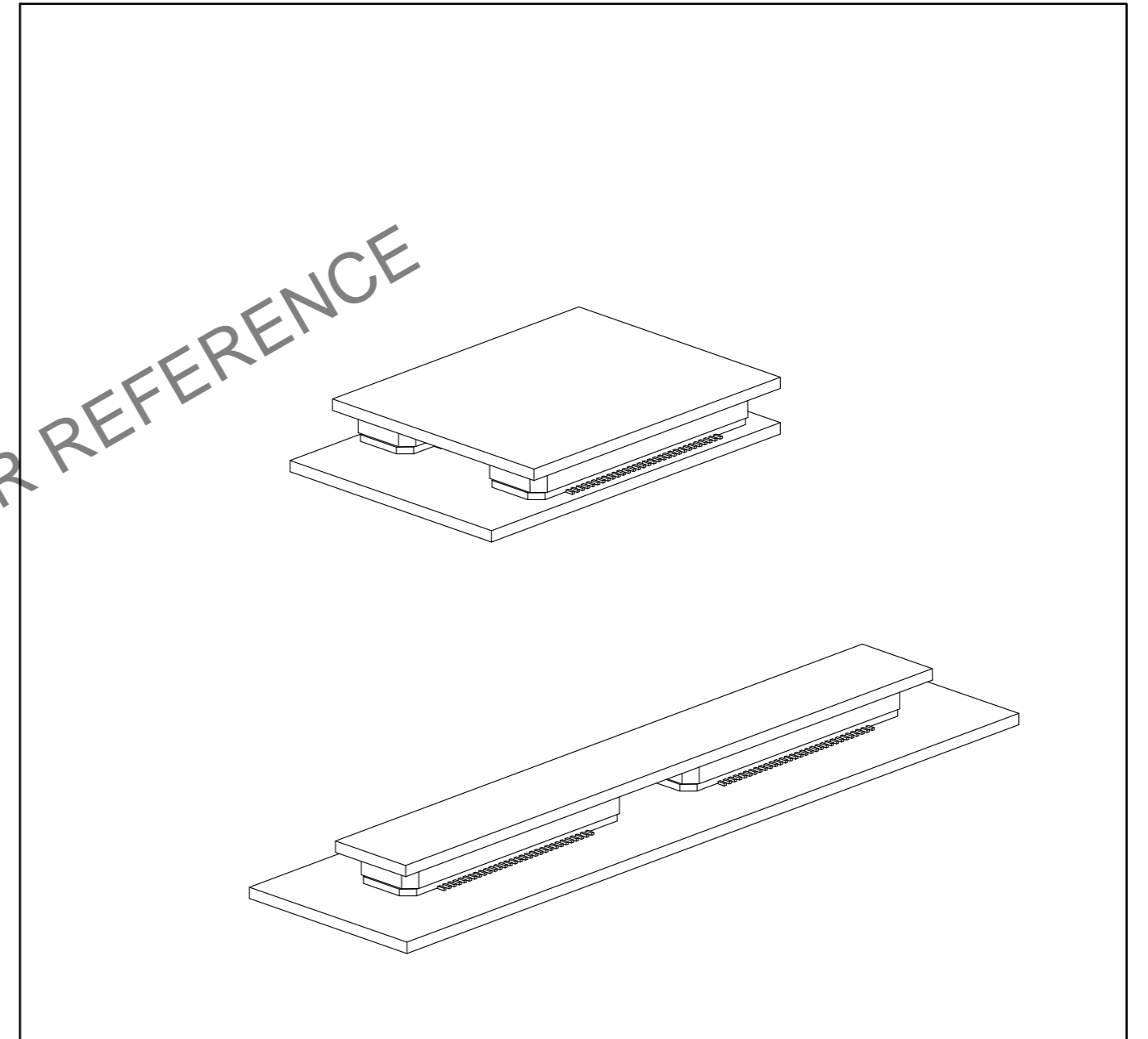
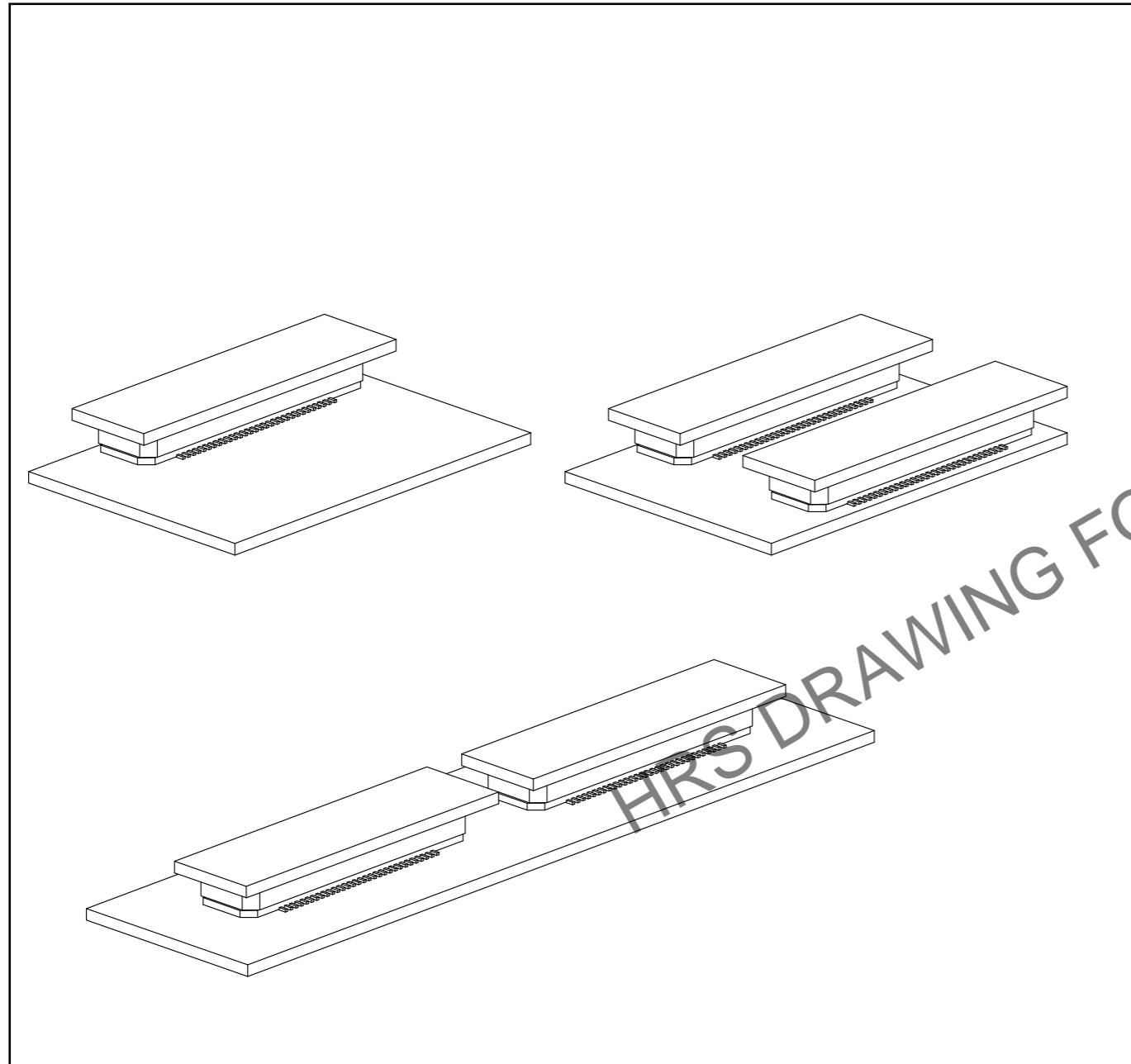
In case of consideration for using Automotive equipment / device which demand high reliability, kindly contact our sales window correspondents.

【 Precaution 】

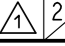
When a board with multiple connectors mounted is mated, the connector may be damaged or deformed.
Please divide one side of the board so only one connector is mated per board.

OK

NG



HRS DRAWING FOR REFERENCE

HRS	DRAWING NO.	EDC-150881-71-25		2/2
	PART NO.	FX8C-60S-SV(71)		
	CODE NO.	CL578-0801-2-71		