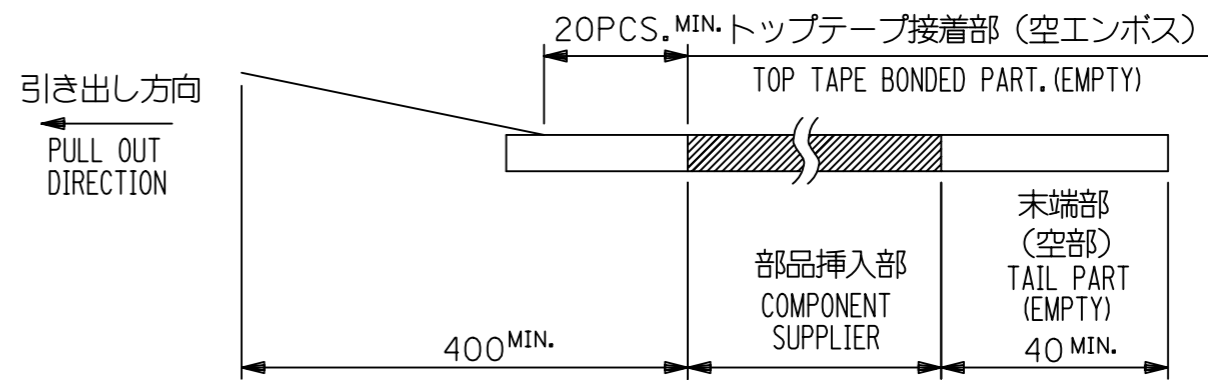


**NOTE**

1. 梱包数量 : 1000個/リール  
 NUMBER OF CONNECTORS : 1000 PCS/REEL

2. リードテープ長さ LEAD TAPE LENGTH



3. 52610-\*\*15のアクチュエータはハウジング内に押し下げた状態とする。  
 詳細寸法については図面 526101000 PSD 000 を参照下さい。  
 ACTUATOR OF PART NO. 52610-\*\*15 SHOULD BE LOCKED.  
 RE DETAILD DIMENSIONS, SEE 526101000 PSD 000.

4. 材料 MATERIAL  
 キャリアテープ : ポリプロピレン  
 トップテープ : PET, PE, PEF  
 リール : ポリスチレン <リサイクル材を含む>  
 CARRIER TAPE : POLYPROPYLENE  
 TOP TAPE : PET, PE, PEF  
 REEL : POLYSTYRENE (PS) < RECYCLE MATERIAL CONTAINED >

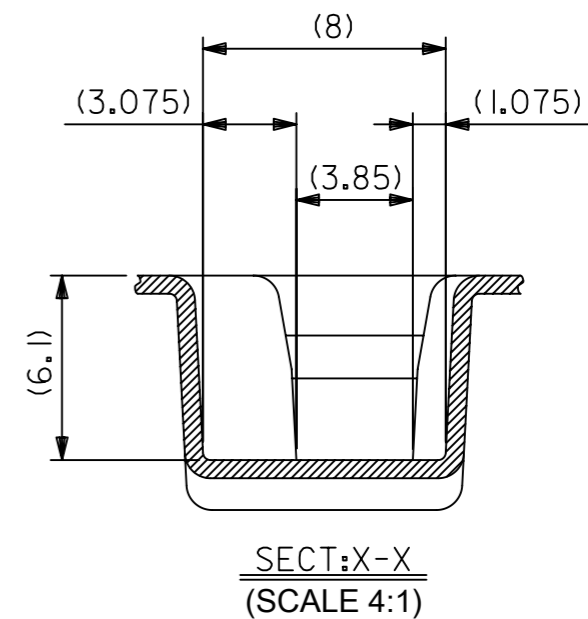
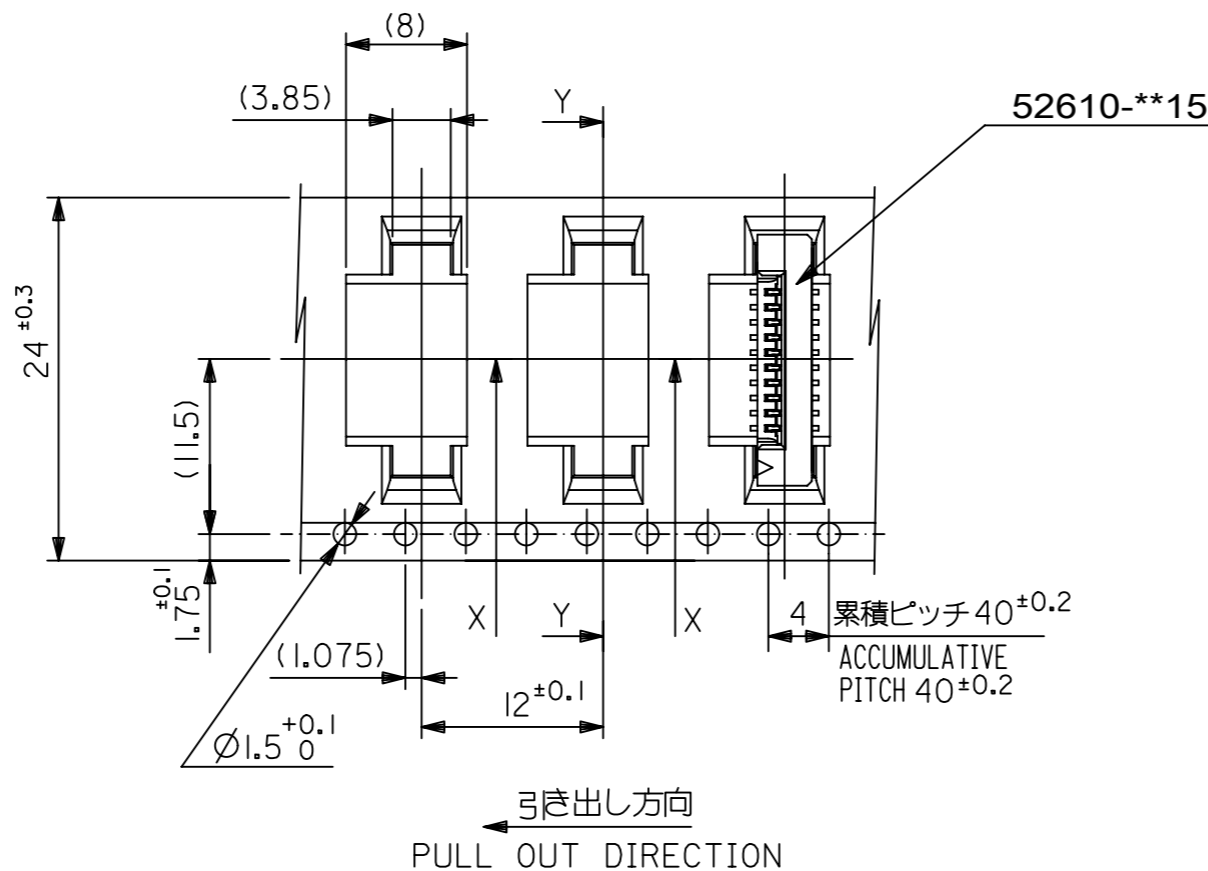
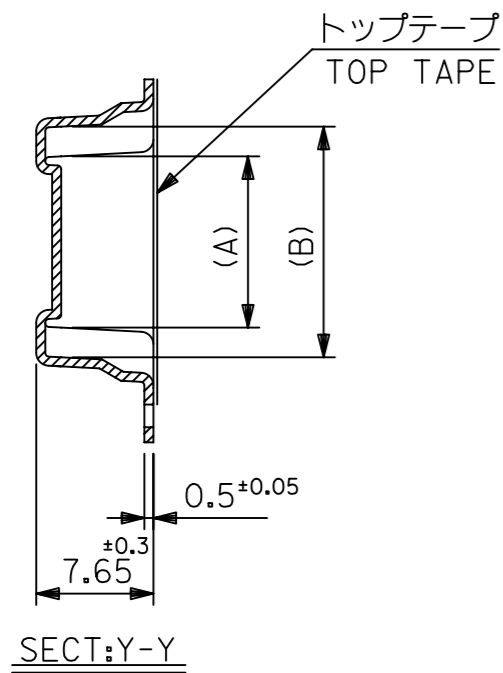
5. 本製品は52610シリーズの接点金めつき品である。  
 THIS PRODUCT IS Au-CONTACT OF 52610 SERIES.

6. 本製品は乾燥剤入り、ハイバリア梱包仕様である。  
 THIS PRODUCT IS HIGH BARRIER PACKAGE WITH DESICCANT.

MODEL NO. 52610-\*\*72

THIS DRAWING CONTAINS INFORMATION THAT IS PROPRIETARY TO MOLEX ELECTRONIC TECHNOLOGIES, LLC AND SHOULD NOT BE USED WITHOUT WRITTEN PERMISSION												
RELEASED	EC NO:	106044	GENERAL TOLERANCES (UNLESS SPECIFIED)		DIMENSION UNITS	SCALE	<b>molex®</b>					
	DRWN:	YMIZUNO02	ANGULAR TOL ± 3.0 °		MM	---						
	CHK'D:	YKOBAYASHI02	4 PLACES	± 0.2	DRWN BY	DATE	1.0 FPC CONN ZIF ASSY SMT ST EMBSTP PKG					
	APPR:	TKUSUHARA01	3 PLACES	± 0.2	YKOBAYASHI02	2016/10/12						
	REV	A	1 PLACE	± 0.2	CHK'D BY	DATE	PRODUCT CUSTOMER DRAWING					
			0 PLACES	± 0.2	YKOBAYASHI02	2016/12/28						
DRAFT WHERE APPLICABLE MUST REMAIN WITHIN DIMENSIONS			DRAWING SIZE		THIRD ANGLE PROJECTION		SERIES					
			A3				52610		MATERIAL NUMBER		CUSTOMER	
							SEE CHART		GENERAL			
							DOCUMENT NUMBER		DOC TYPE		DOC PART	
							526100000		PSD		000	
											SHEET NUMBER	
											1 OF 5	

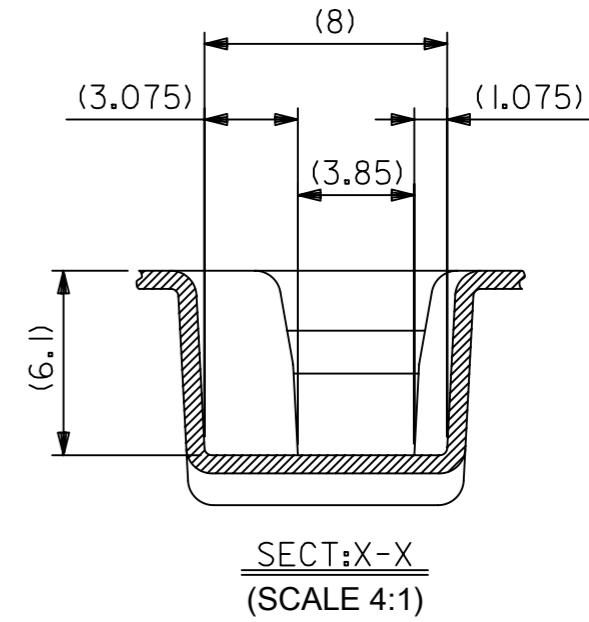
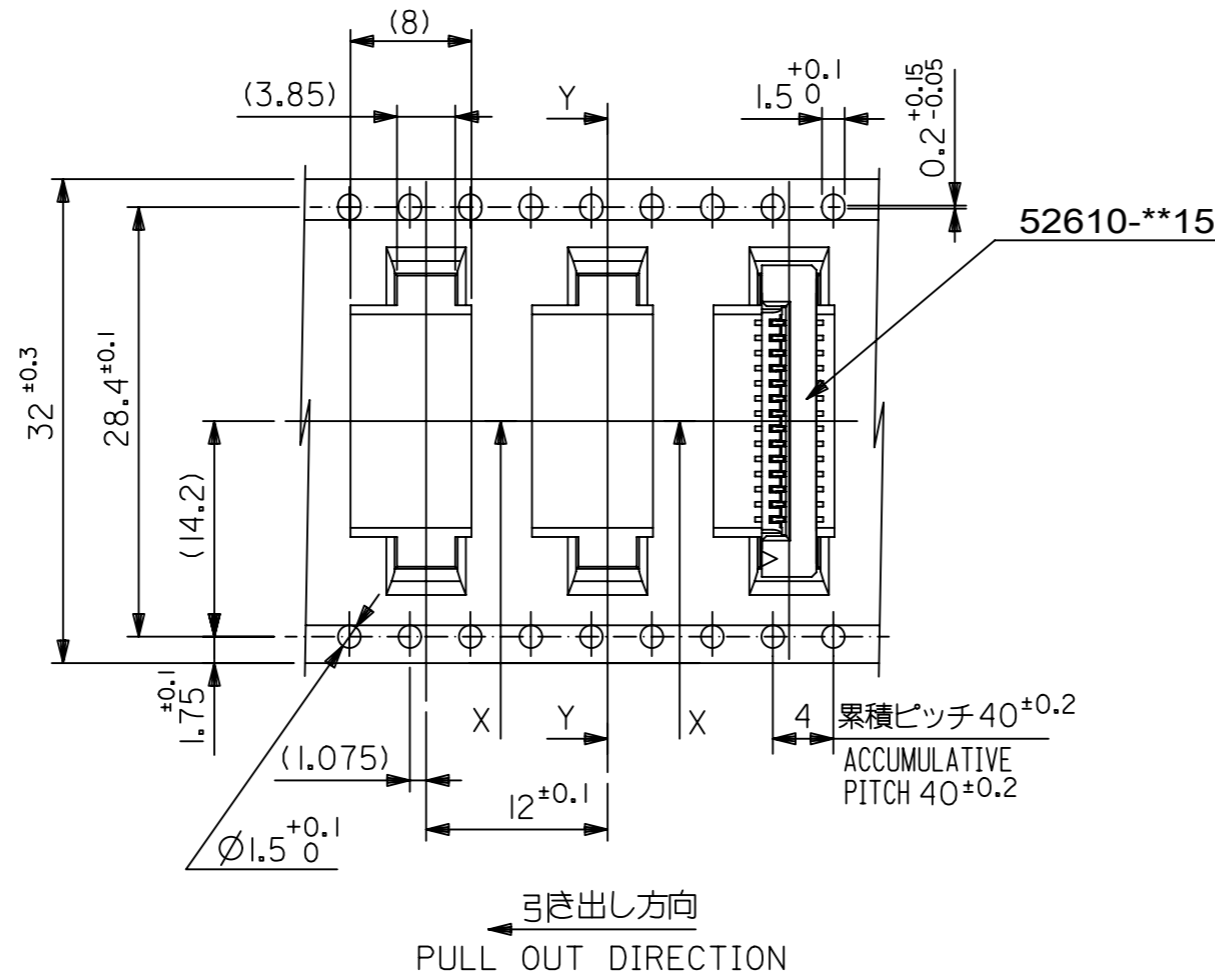
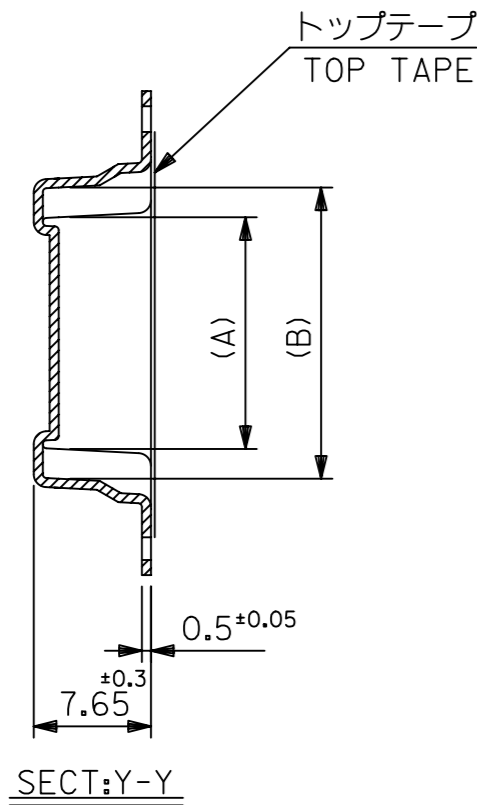
RELEASE STATUS	RELEASE DATE
----------------	--------------



24	29.4	25.4	15.25	11.32	52610-1072	10		
			14.25	10.32	52610-0972	9		
			13.25	9.32	52610-0872	8		
			12.25	8.32	52610-0772	7		
			11.25	7.32	52610-0672	6		
			10.25	6.32	52610-0572	5		
キャリアテープ幅 CARRIER TAPE WIDTH			D	C	(B)	(A)	MATERIAL NO.	極数 CKT

THIS DRAWING CONTAINS INFORMATION THAT IS PROPRIETARY TO MOLEX ELECTRONIC TECHNOLOGIES, LLC AND SHOULD NOT BE USED WITHOUT WRITTEN PERMISSION

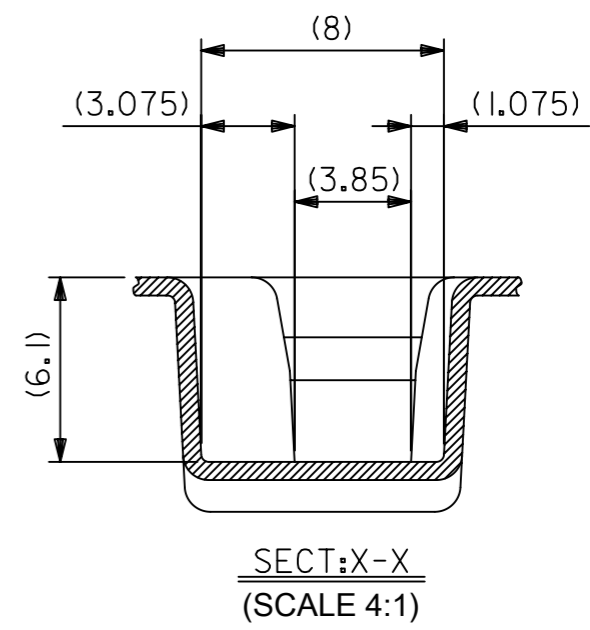
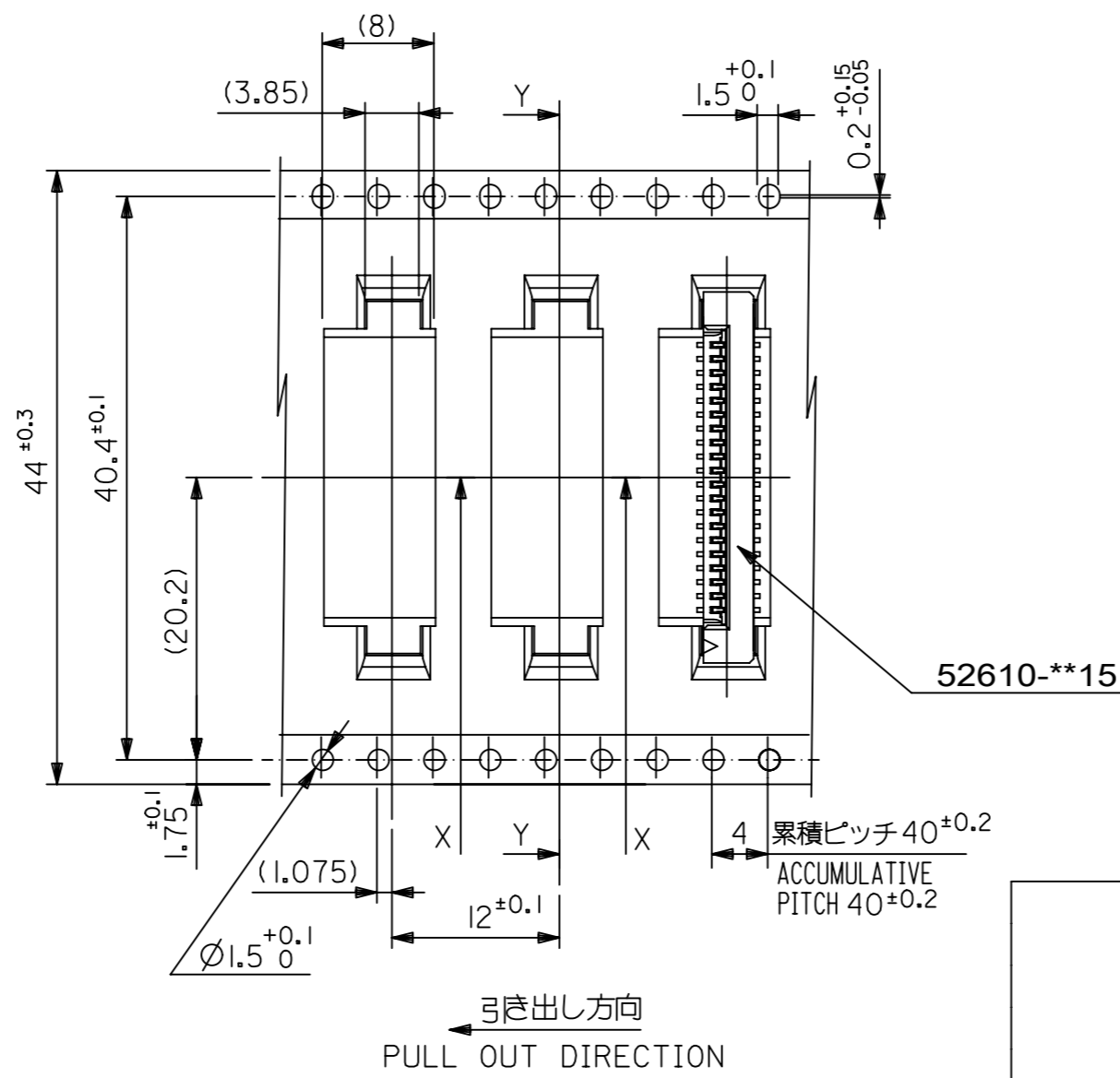
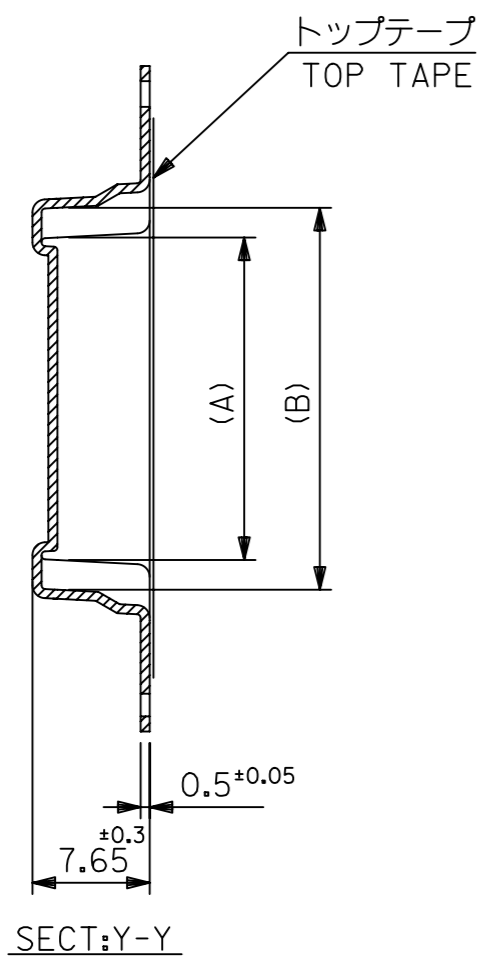
EC NO: 106044 DRWN: YMIZUNO02 CHK'D: YKOBAYASHI02 APPR: TKUSUHARA01	2016/10/12	2016/12/28	2016/12/28	GENERAL TOLERANCES (UNLESS SPECIFIED) ANGULAR TOL ± 3.0 ° 4 PLACES ± 0.2 3 PLACES ± 0.2 2 PLACES ± 0.2 1 PLACE ± 0.2 0 PLACES ± 0.2 DRAFT WHERE APPLICABLE MUST REMAIN WITHIN DIMENSIONS	DIMENSION UNITS	SCALE			
	RELEASED	2016/10/12	2016/12/28		MM	---			
	DRWN BY	DATE	YMIZUNO02		2016/10/12	1.0 FPC CONN ZIF ASSY SMT ST EMBSTP PKG			
	CHK'D BY	DATE	YKOBAYASHI02		2016/12/28	PRODUCT CUSTOMER DRAWING			
	APPR BY	DATE	TKUSUHARA01		2016/12/28	SERIES		MATERIAL NUMBER	CUSTOMER
	A	REV				A3		THIRD ANGLE PROJECTION	52610
RELEASE STATUS		RELEASE DATE		DOCUMENT NUMBER		DOC TYPE	DOC PART	SHEET NUMBER	
				526100000		PSD	000	2 OF 5	



32	37.4	33.4	20.25	16.32	52610-1572	15	
			19.25	15.32	52610-1472	14	
			18.25	14.32	52610-1372	13	
			17.25	13.32	52610-1272	12	
			16.25	12.32	52610-1172	11	
キャリアテープ幅 CARRIER TAPE WIDTH		D	C	(B)	(A)	MATERIAL NO.	極数 CKT

THIS DRAWING CONTAINS INFORMATION THAT IS PROPRIETARY TO MOLEX ELECTRONIC TECHNOLOGIES, LLC AND SHOULD NOT BE USED WITHOUT WRITTEN PERMISSION

EC NO: 106044 DRWN: YMIZUNO02 CHK'D: YKOBAYASHI02 APPR: TKUSUHARA01	2016/10/12	2016/12/28	2016/12/28	GENERAL TOLERANCES (UNLESS SPECIFIED) ANGULAR TOL ± 3.0 ° 4 PLACES ± 0.2 3 PLACES ± 0.2 2 PLACES ± 0.2 1 PLACE ± 0.2 0 PLACES ± 0.2 DRAFT WHERE APPLICABLE MUST REMAIN WITHIN DIMENSIONS	DIMENSION UNITS	SCALE			
	RELEASED	2016/10/12	2016/12/28		MM	---			
	DRWN BY	DATE	YMIZUNO02		2016/10/12	DRWN BY		DATE	1.0 FPC CONN ZIF ASSY SMT ST EMBSTP PKG
	CHK'D BY	DATE	YKOBAYASHI02		2016/12/28	CHK'D BY		DATE	
	APPR BY	DATE	TKUSUHARA01		2016/12/28	APPR BY		DATE	
PRODUCT CUSTOMER DRAWING		DRAWING SIZE		THIRD ANGLE PROJECTION		SERIES	MATERIAL NUMBER	CUSTOMER	
A3		A3				52610	SEE CHART	GENERAL	
RELEASE STATUS		RELEASE DATE		DOCUMENT NUMBER		DOC TYPE	DOC PART	SHEET NUMBER	
				526100000		PSD	000	3 OF 5	

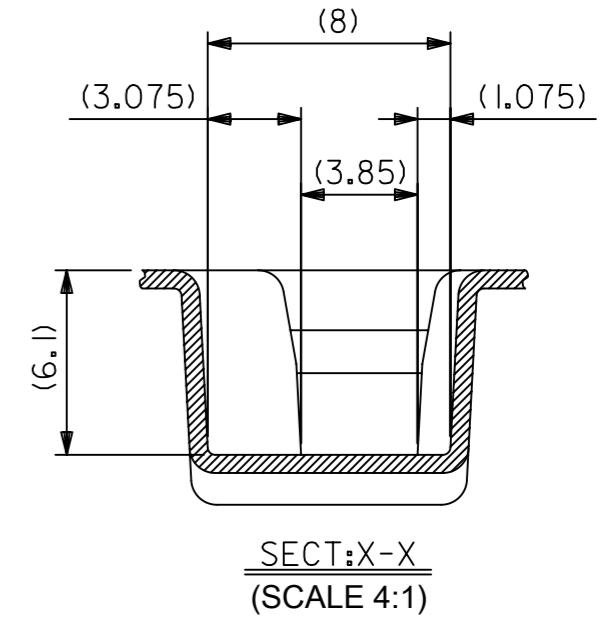
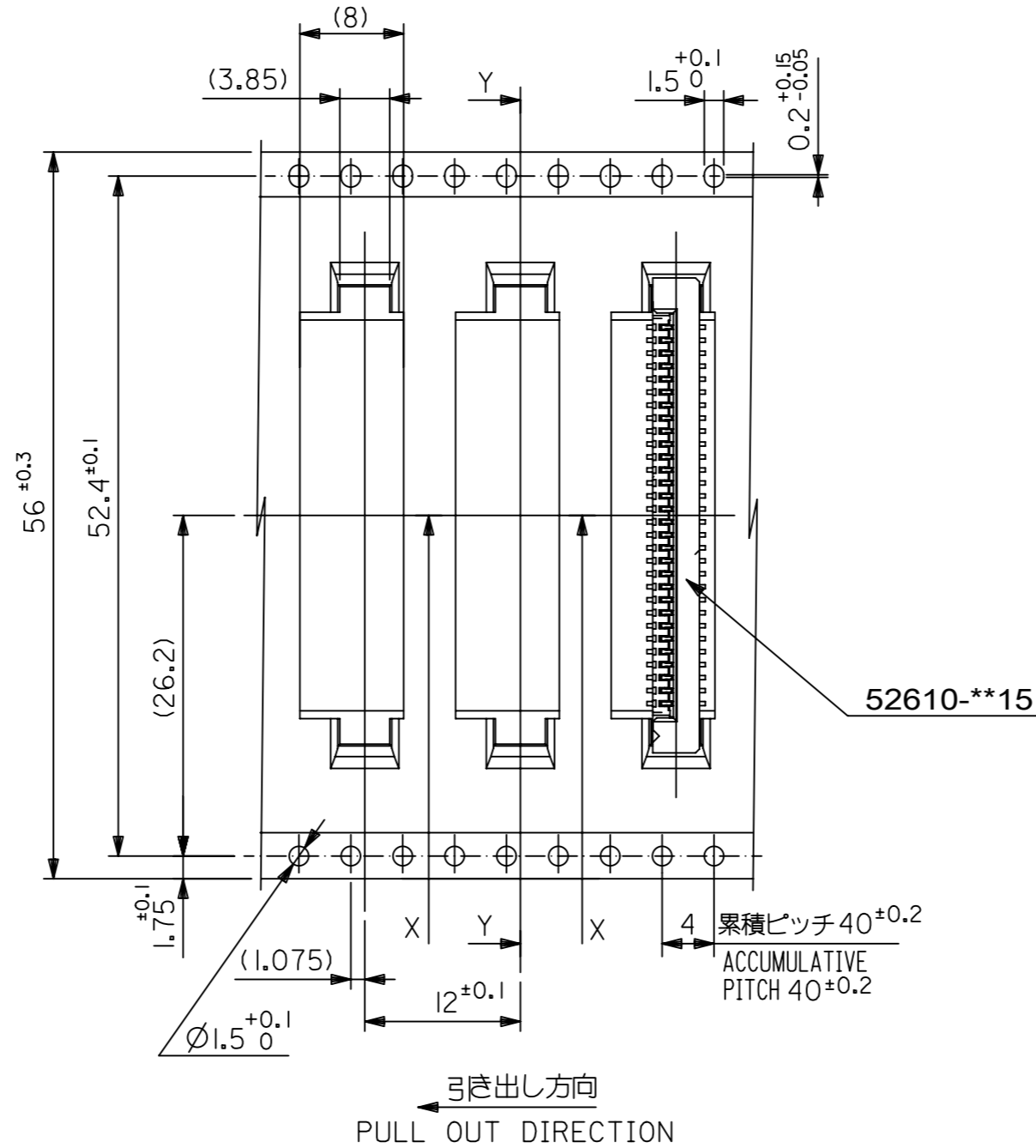
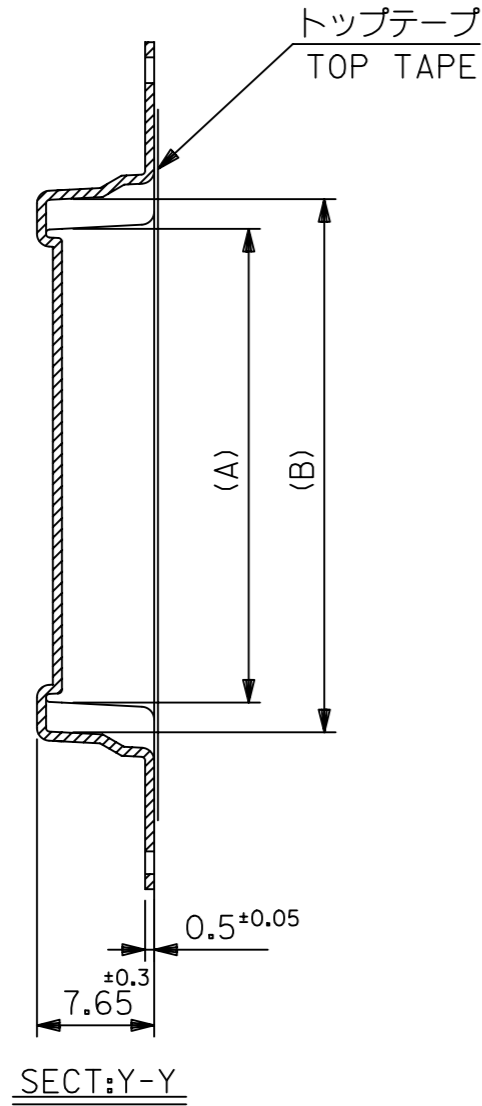


44	49.4	45.4	31.25	27.32	52610-2672	26		
			30.25	26.32	52610-2572	25		
			29.25	25.32	52610-2472	24		
			28.25	24.32	52610-2372	23		
			27.25	23.32	52610-2272	22		
			26.25	22.32	52610-2172	21		
			25.25	21.32	52610-2072	20		
			24.25	20.32	52610-1972	19		
			23.25	19.32	52610-1872	18		
			22.25	18.32	52610-1772	17		
			21.25	17.32	52610-1672	16		
キャリアテープ幅 CARRIER TAPE WIDTH			D	C	(B)	(A)	MATERIAL NO.	極数 CKT

THIS DRAWING CONTAINS INFORMATION THAT IS PROPRIETARY TO MOLEX ELECTRONIC TECHNOLOGIES, LLC AND SHOULD NOT BE USED WITHOUT WRITTEN PERMISSION

EC NO: 106044 DRWN: YMIZUNO02 CHK'D: YKOBAYASHI02 APPR: TKUSUHARA01	2016/10/12	2016/12/28	GENERAL TOLERANCES (UNLESS SPECIFIED)		DIMENSION UNITS	SCALE			
	2016/10/12	2016/12/28	ANGULAR TOL ± 3.0 °		MM	---			
	4 PLACES	± 0.2	4 PLACES ± 3.0 °		DRWN BY	DATE			
	3 PLACES	± 0.2	YMIZUNO02	2016/10/12	CHK'D BY	DATE			
	2 PLACES	± 0.2	YKOBAYASHI02	2016/12/28	APPR BY	DATE			
1 PLACE	± 0.2	TKUSUHARA01	2016/12/28	DRAWING SIZE	THIRD ANGLE PROJECTION	PRODUCT CUSTOMER DRAWING			
0 PLACES	± 0.2	DRAFT WHERE APPLICABLE MUST REMAIN WITHIN DIMENSIONS		A3	SERIES: 52610 MATERIAL NUMBER: SEE CHART CUSTOMER: GENERAL				
A		REV	MUST REMAIN WITHIN DIMENSIONS		DOCUMENT NUMBER: 526100000		DOC TYPE: PSD	DOC PART: 000	SHEET NUMBER: 4 OF 5

RELEASE STATUS	RELEASE DATE
----------------	--------------

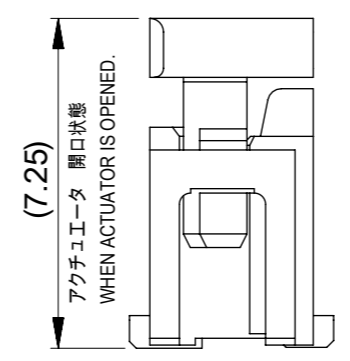
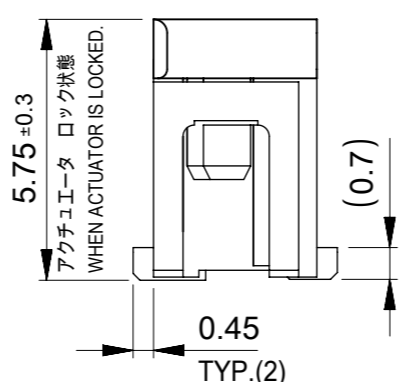
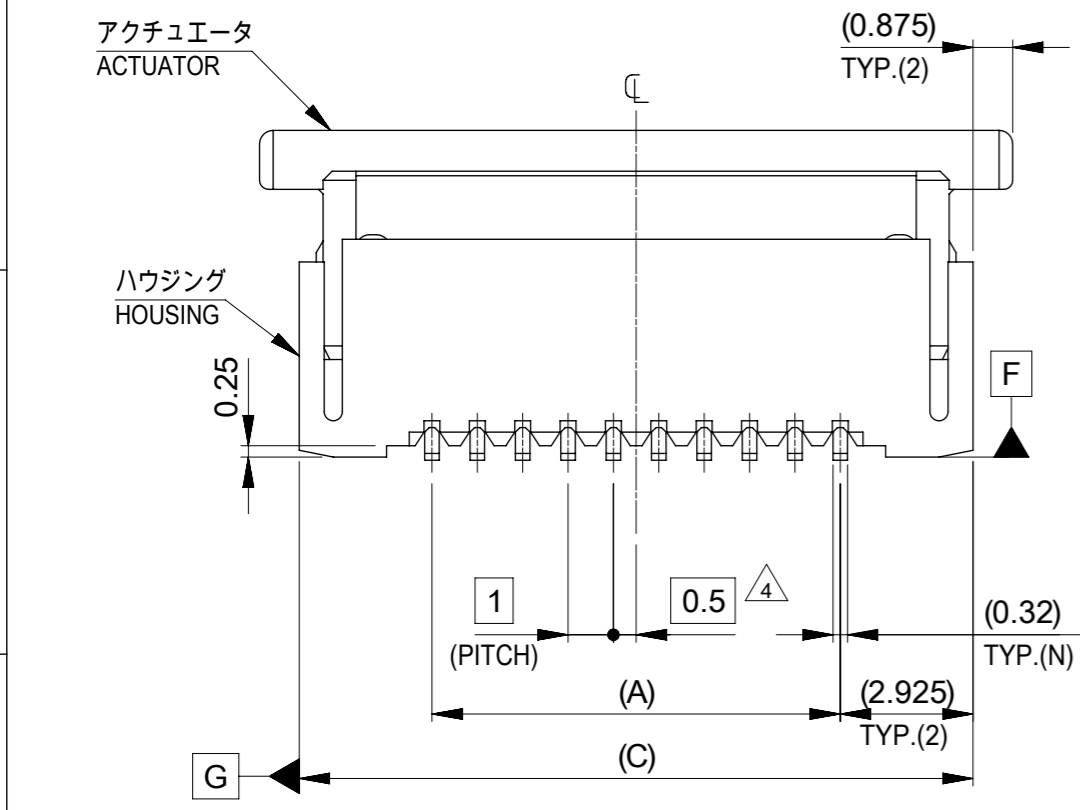
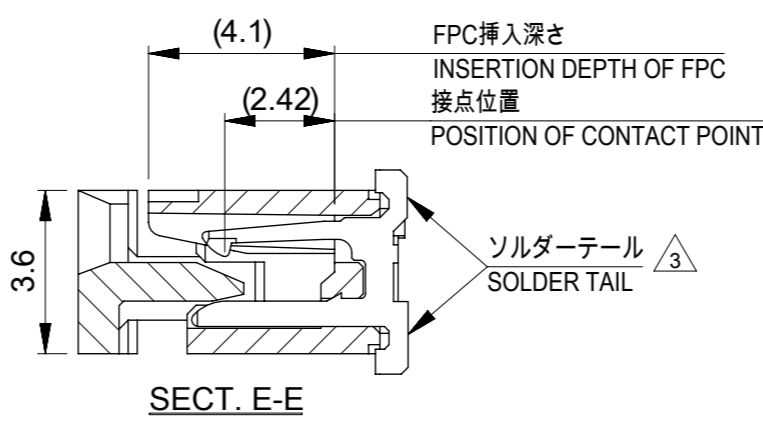
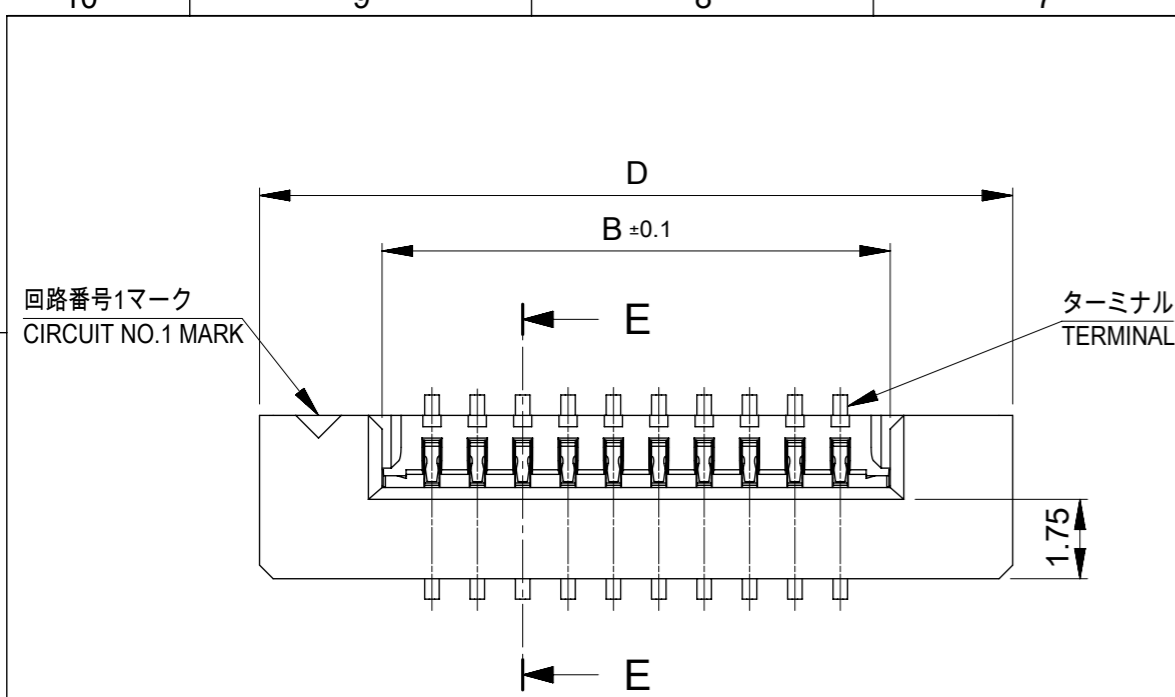


56	61.4	57.4	35.25	31.32	52610-3072	30
			33.25	29.32	52610-2872	28
キャリアテープ幅 CARRIER TAPE WIDTH	D	C	(B)	(A)	MATERIAL NO.	極数 CKT

THIS DRAWING CONTAINS INFORMATION THAT IS PROPRIETARY TO MOLEX ELECTRONIC TECHNOLOGIES, LLC AND SHOULD NOT BE USED WITHOUT WRITTEN PERMISSION

EC NO: 106044 DRWN: YMIZUNO02 CHK'D: YKOBAYASHI02 APPR: TKUSUHARA01	2016/10/12 2016/12/28 2016/12/28	GENERAL TOLERANCES (UNLESS SPECIFIED) ANGULAR TOL ± 3.0 ° 4 PLACES ± 0.2 3 PLACES ± 0.2 2 PLACES ± 0.2 1 PLACE ± 0.2 0 PLACES ± 0.2	DIMENSION UNITS: MM SCALE: --- DRWN BY: YMIZUNO02 DATE: 2016/10/12 CHK'D BY: YKOBAYASHI02 DATE: 2016/12/28 APPR BY: TKUSUHARA01 DATE: 2016/12/28	<p>1.0 FPC CONN ZIF ASSY SMT ST EMBSTP PKG</p> <p>PRODUCT CUSTOMER DRAWING</p> <p>SERIES: 52610 MATERIAL NUMBER: SEE CHART CUSTOMER: GENERAL</p> <p>DOCUMENT NUMBER: 526100000 DOC TYPE: PSD DOC PART: 000 SHEET NUMBER: 5 OF 5</p>
	DRAFT WHERE APPLICABLE MUST REMAIN WITHIN DIMENSIONS	DRAWING SIZE: A3 THIRD ANGLE PROJECTION		
	RELEASED			
	REV: A			

RELEASE STATUS	RELEASE DATE
----------------	--------------



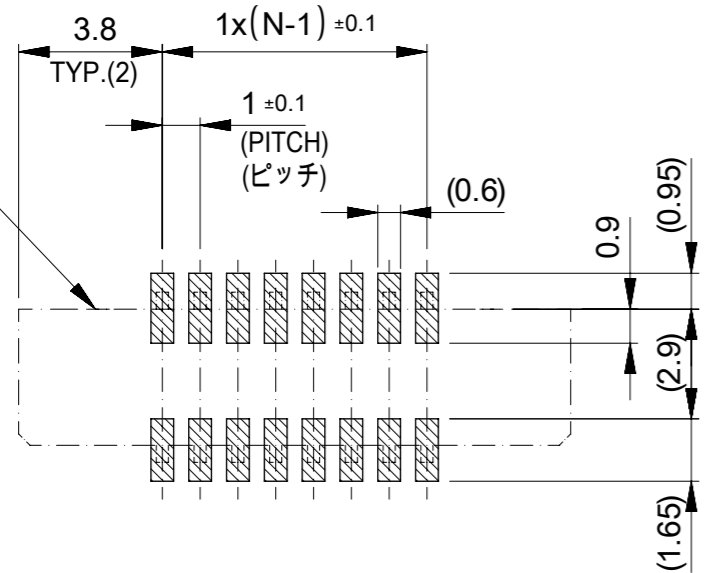
36.6	34.85	31.2	29	52610-3072	30
34.6	32.85	29.2	27	52610-2872	28
32.6	30.85	27.2	25	52610-2672	26
30.6	28.85	25.2	23	52610-2472	24
29.6	27.85	24.2	22	52610-2372	23
28.6	26.85	23.2	21	52610-2272	22
27.6	25.85	22.2	20	52610-2172	21
26.6	24.85	21.2	19	52610-2072	20
25.6	23.85	20.2	18	52610-1972	19
24.6	22.85	19.2	17	52610-1872	18
23.6	21.85	18.2	16	52610-1772	17
22.6	20.85	17.2	15	52610-1672	16
21.6	19.85	16.2	14	52610-1572	15
20.6	18.85	15.2	13	52610-1472	14
19.6	17.85	14.2	12	52610-1372	13
18.6	16.85	13.2	11	52610-1272	12
17.6	15.85	12.2	10	52610-1172	11
16.6	14.85	11.2	9	52610-1072	10
15.6	13.85	10.2	8	52610-0972	9
14.6	12.85	9.2	7	52610-0872	8
13.6	11.85	8.2	6	52610-0772	7
12.6	10.85	7.2	5	52610-0672	6
11.6	9.85	6.2	4	52610-0572	5
D	(C)	B	(A)	MATERIAL NO.	極数 CKT

THIS DRAWING CONTAINS INFORMATION THAT IS PROPRIETARY TO MOLEX ELECTRONIC TECHNOLOGIES, LLC AND SHOULD NOT BE USED WITHOUT WRITTEN PERMISSION

DIMENSION UNITS	SCALE	CURRENT REV DESC:	
mm	---		
GENERAL TOLERANCES (UNLESS SPECIFIED)		<b>molex</b> 1.0 FPC CONN ZIF S/T HOUSING ASSY PRODUCT CUSTOMER DRAWING	
ANGULAR TOL ± 3.0°			
4 PLACES	± 0.03		
3 PLACES	± 0.03		
2 PLACES	± 0.05		
1 PLACE	± 0.1	EC NO: 745355 DRWN: RAJMOK 2023/04/06 CHK'D: HSHIMOYAMA 2023/04/07 APPR: HSHIMOYAMA 2023/04/07	
0 PLACES	± 0.2	INITIAL REVISION: DRWN: YMIZUNO02 2016/10/12 APPR: TKUSUHARA01 2016/12/28	
DRAFT WHERE APPLICABLE MUST REMAIN WITHIN DIMENSIONS		THIRD ANGLE PROJECTION	DRAWING
		SERIES	MATERIAL NUMBER
		A3-SIZE	CUSTOMER
		52610	GENERAL
		SEE TABLE	SHEET NUMBER
			1 OF 2

GENERAL TOLERANCES (UNLESS SPECIFIED)		
10 UNDER	±0.2	
10 OVER 30 UNDER	±0.25	
30 OVER	±0.3	

コネクタ位置  
CONNECTOR  
LOCATION

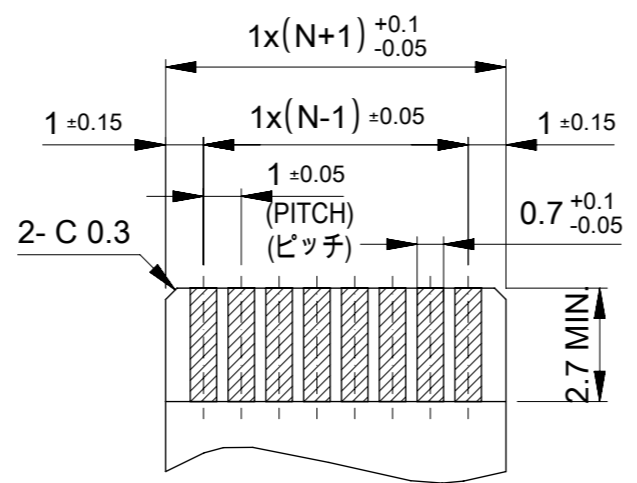


参考基盤レイアウト  
RECOMMENDED P.C. BOARD  
PATTERN LAYOUT (REFERENCE)

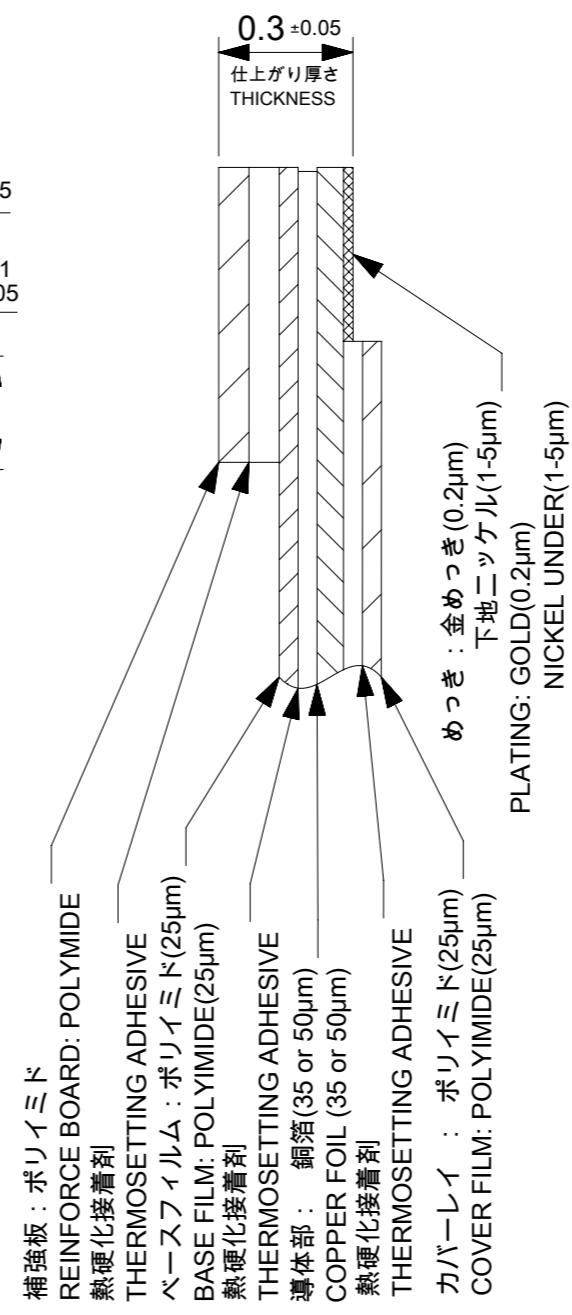
マスク厚 : 120μm  
 マスク開口率 : 100%  
 SCREEN THICKNESS : 120 MICROMETER  
 SCREEN OPEN RATIO : 100%

注記(NOTES):

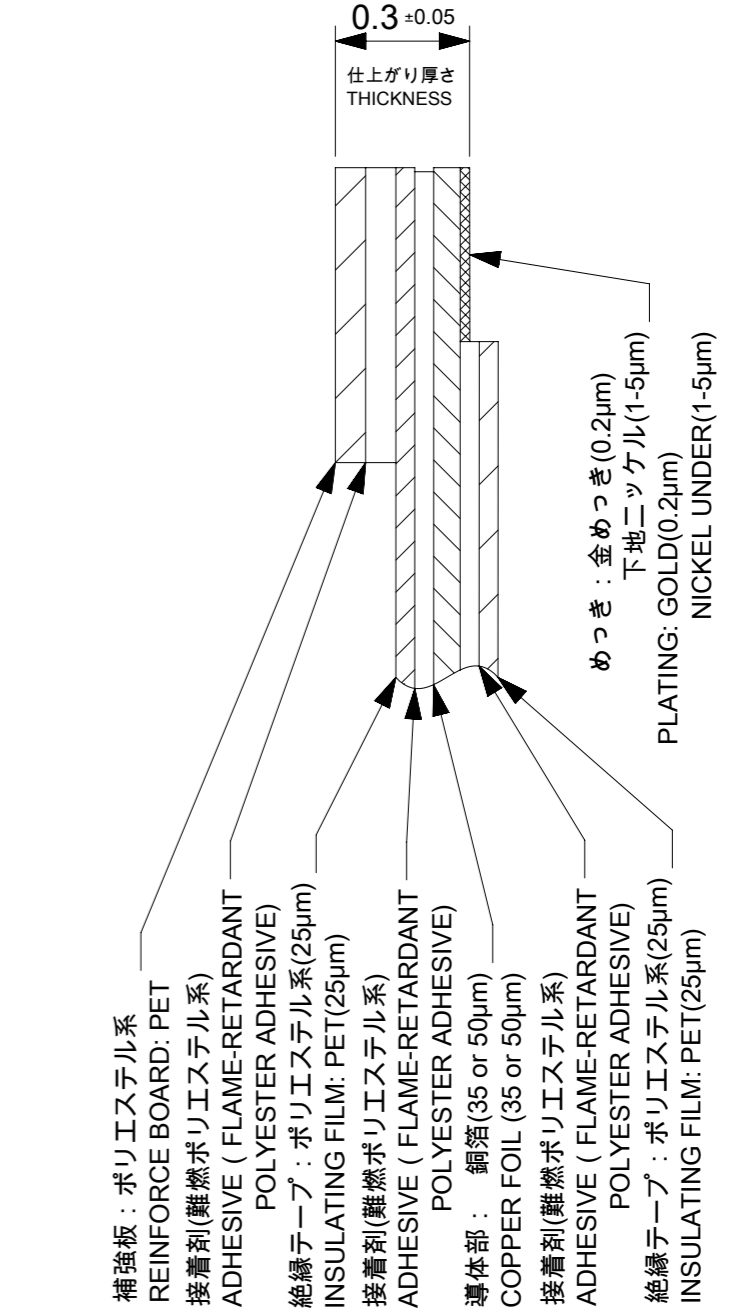
- 材質 MATERIAL  
 ハウジング : 46ナイロン、ガラス充填、UL94V-0、ナチュラル(白色)  
 アクチュエータ : PPS、ナチュラル(茶色)、ガラス充填、UL94V-0  
 ターミナル : リン青銅(t=0.32)  
 HOUSING : 46NYLON, GLASS FILLED, UL94V-0, NATURAL(WHITE)  
 ACTUAOR : PPS, NATURAL(BROWN), GLASS FILLED, UL94V-0  
 TERMINAL : PHOSPHOR BRONZE(t=0.32)
  - めっき仕様 PLATING  
 ターミナル TERMINAL  
 接点部 : 金めっき(0.1μm以上)  
 テール部 : 錫めっき(1.0μm以上)  
 下地 : ニッケルめっき(1.0μm以上)  
 CONTACT : GOLD PLATING (0.1 MICROMETER MINIMUM)  
 TAIL : MATTE TIN (1.0 MICROMETER MINIMUM)  
 UNDER PLATE : NICKEL PLATING (1.0 MICROMETER MINIMUM)
- 3 ソルダーテール半田付け面のズレ量は、基準面 **F** に対し  
 上方向0.05MAX.、下方向0.15MAX.とする。  
 MISALIGNMENT OF SOLDER TAILS FROM **F** UPPER DIREVTION : 0.05 MAX.  
 LOWER DIRECTION : 0.15 MAX.
- 4 偶数極に適用。  
 APPLY FOR EVEN CIRCUIT.
- 5.エンボステーブ梱包時は、アクチュエータがロックした状態とする。  
 IN THE PACKAGE, ACTUATOR SHOULD BE LOCKED.
- 6.本製品は52610シリーズの接点金めっき品である。  
 THIS PRODUCT IS Au-CONTACT OF 52610 SERIES.



適合FPC/FFC推奨寸法  
APPLICABLE FPC/FFC  
RECOMMENDED DIMENSION  
(仕上がり厚さ : 0.3±0.05)  
(THICKNESS : 0.3±0.05)



FPC構成推奨仕様  
RECOMMENDED STRUCTURE OF FPC



FFC構成推奨仕様  
RECOMMENDED STRUCTURE OF FFC

FPC/FFCについて :

抜き方向は、導体側から補強板側を推奨致します。  
 尚、接着剤の接点部への付着は導通不良の原因になりますので、  
 染み出しが無い様お願い致します。

ABOUT FPC/FFC:

RECOMMENDED PUNCHER DIRECTION:  
 FROM CONDUCTOR SIDE TO STIFFNER SIDE  
 PLEASE PUT APPROPRIATE AMOUNT OF ADHESIVE ON ADHEREND  
 BECAUSE THERE IS A POSSIBILITY THAT THE EXTRA ADHESIVE  
 CAUSES THE DEFECT IN ELECTRICAL CONTINUITY.

THIS DRAWING CONTAINS INFORMATION THAT IS PROPRIETARY TO MOLEX ELECTRONIC TECHNOLOGIES, LLC AND SHOULD NOT BE USED WITHOUT WRITTEN PERMISSION									
DIMENSION UNITS		SCALE		CURRENT REV DESC:					
mm		---							
GENERAL TOLERANCES (UNLESS SPECIFIED)									
ANGULAR TOL ± 3.0°									
4 PLACES ± 0.03									
3 PLACES ± 0.03									
2 PLACES ± 0.05									
1 PLACE ± 0.1									
0 PLACES ± 0.2									
DRAFT WHERE APPLICABLE MUST REMAIN WITHIN DIMENSIONS									
THIRD ANGLE PROJECTION		DRAWING		SERIES		MATERIAL NUMBER		CUSTOMER	
A3-SIZE		52610		SEE SHEET-1		GENERAL		SHEET NUMBER	
2 OF 2									

GENERAL TOLERANCES (UNLESS SPECIFIED)		
10 UNDER		±0.2
10 OVER 30 UNDER		±0.25
30 OVER		±0.3