

PT 2X1-24DC-ST - Surge protection plug



2856087

<https://www.phoenixcontact.com/us/products/2856087>

Please be informed that the data shown in this PDF document is generated from our online catalog. Please find the complete data in the user documentation. Our general terms of use for downloads are valid.



Surge protection plug for the base element, coarse and fine protection for two signal wires with common reference potential, common mode voltage coarse protection to ground. Design: 24 V DC

Your advantages

- Easy testing and documentation with CHECKMASTER 2 with pluggable protective modules
- Maximum ease of maintenance, thanks to the 2-piece design
- Easy selection for all possible demands in MCR applications with a complete product portfolio
- The signal is not influenced during maintenance work, thanks to the impedance-neutral insertion and removal of protective plugs

Commercial data

Item number	2856087
Packing unit	10 pc
Minimum order quantity	1 pc
Sales key	CL21
Product key	CL2111
Catalog page	Page 134 (C-4-2019)
GTIN	4017918599164
Weight per piece (including packing)	20.44 g
Weight per piece (excluding packing)	20.1 g
Customs tariff number	85363010
Country of origin	DE

PT 2X1-24DC-ST - Surge protection plug



2856087

<https://www.phoenixcontact.com/us/products/2856087>

Technical data

Product properties

Product type	Surge protection for MCR technology
Product family	PLUGTRAB PT
IEC test classification	C1
	C2
	C3
	D1
VDE requirement class	C1
	C2
	C3
	D1
Type	Male
Arrester can be tested with CHECKMASTER from software version:	From SW rev. 1.00

Data management status

Article revision	09
------------------	----

Insulation characteristics

Overvoltage category	III
Pollution degree	2

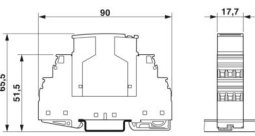
Electrical properties

Nominal voltage U_N	24 V DC
-----------------------	---------

Connection data

Connection method	Screw connection (in connection with the base element)
Screw thread	M3
Tightening torque	0.8 Nm
Conductor cross section flexible	0.2 mm ² ... 2.5 mm ²
Conductor cross section rigid	0.2 mm ² ... 4 mm ²
Conductor cross section AWG	24 ... 12

Dimensions

Dimensional drawing	
Width	17.5 mm
Height	44.8 mm
Depth	51.7 mm

PT 2X1-24DC-ST - Surge protection plug



2856087

<https://www.phoenixcontact.com/us/products/2856087>

Horizontal pitch	1 Div.
Complete module width	17.7 mm
Complete module height	90 mm
Complete module depth	65.5 mm

Material specifications

Color	black (RAL 9005)
	Copper color
Flammability rating according to UL 94	V-0
Housing material	PA 6.6

Mechanical properties

Mechanical data

Open side panel	No
-----------------	----

Protective circuit

Direction of action	Line-Line & Line-Signal Ground/Shield & optional Signal Ground/Shield-Earth Ground
Maximum continuous voltage U_C	28 V DC
	20 V AC
Rated current	300 mA (45 °C)
Operating effective current I_C at U_C	$\leq 5 \mu\text{A}$
Residual current I_{PE}	$\leq 1 \mu\text{A}$ (with PT 2X1+F-BE)
	$\leq 10 \mu\text{A}$ (Directly grounded)
Nominal discharge current I_n (8/20) μs (line-ground)	10 kA
Pulse discharge current I_{imp} (10/350) μs	2.5 kA (per path)
Total discharge current I_{total} (8/20) μs	20 kA
Max. discharge current I_{max} (8/20) μs maximum (line-earth)	10 kA
Nominal pulse current I_{an} (10/1000) μs (line-earth)	30 A
Output voltage limitation at 1 kV/ μs (line-earth) spike	$\leq 45 \text{ V}$
	$\leq 600 \text{ V}$ (with PT 2X1+F-BE)
Output voltage limitation at 1 kV/ μs (line-earth) static	$\leq 40 \text{ V}$
Residual voltage at I_n (conductor-ground)	$\leq 40 \text{ V}$
Residual voltage with I_{an} (10/1000) μs (line-earth)	$\leq 50 \text{ V}$
Voltage protection level U_p (line-earth)	$\leq 60 \text{ V}$ (C1 - 1 kV / 500 A)
	$\leq 80 \text{ V}$ (C2 - 10 kV / 5 kA)
	$\leq 70 \text{ V}$ (6 kV / 3 kA)
	$\leq 50 \text{ V}$ (C3 - 30 A)
Response time t_A (line-earth)	$\leq 1 \text{ ns}$
Input attenuation aE, asym.	0.5 dB ($\leq 1 \text{ MHz}$)
	0.3 dB ($\leq 400 \text{ kHz}$ / 150 Ω)
Cut-off frequency f_g (3 dB), asym. (PE) in 50 Ω system	typ. 4.5 MHz
Capacity (Core-Earth)	typ. 0.7 nF
Resistance per path	4.7 $\Omega \pm 10 \%$ (7-8/11-12)

PT 2X1-24DC-ST - Surge protection plug



2856087

<https://www.phoenixcontact.com/us/products/2856087>

Surge protection fault message	none
Max. required back-up fuse	315 mA (T)
Impulse durability (line-earth)	C2 - 10 kV / 5 kA
	D1 - 2.5 kA

Environmental and real-life conditions

Ambient conditions

Degree of protection	IP20
Ambient temperature (operation)	-40 °C ... 85 °C

Standards and regulations

VDE requirement class	C1
	C2
	C3
	D1

Air clearances and creepage distances

Standards/regulations	VDE 0110-1 / IEC 60664-1
Standards/specifications	EN 61643-21/A1
Note	2009
Standards/specifications	IEC 61643-21/A1
Note	2008
Standards/specifications	UL 497B

Mounting

Mounting type	on base element
Thread type	()

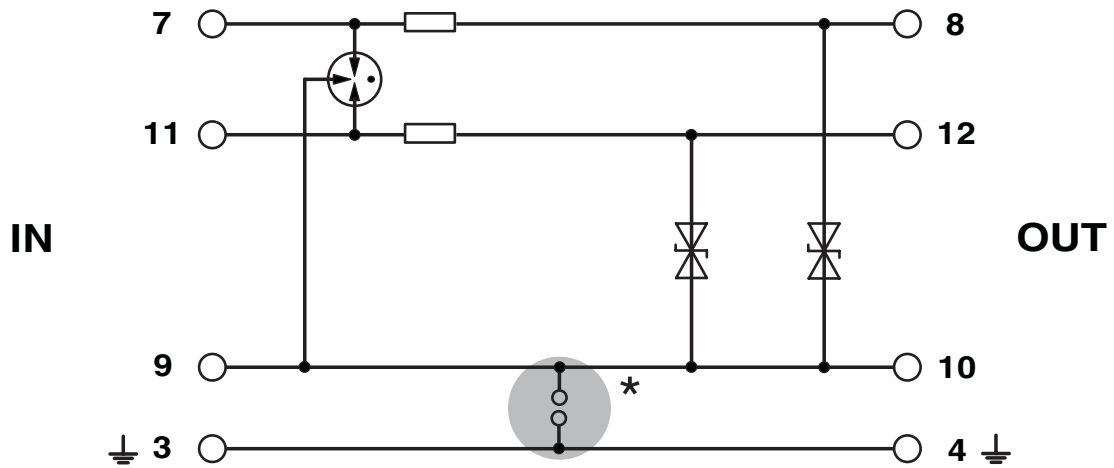
PT 2X1-24DC-ST - Surge protection plug

2856087

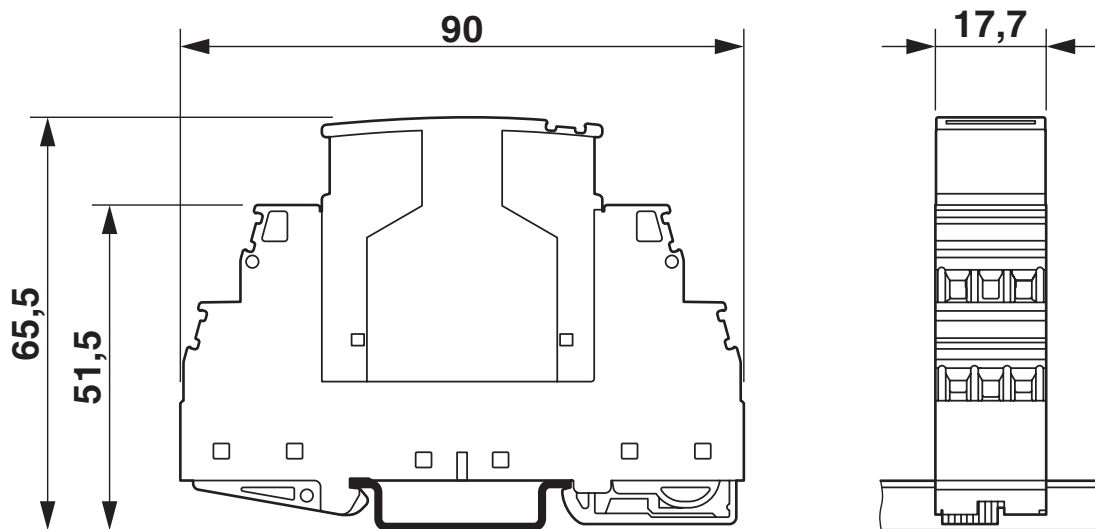
<https://www.phoenixcontact.com/us/products/2856087>

Drawings

Circuit diagram



Dimensional drawing



The figure shows the complete module consisting of a base element and connector

PT 2X1-24DC-ST - Surge protection plug



2856087

<https://www.phoenixcontact.com/us/products/2856087>

Approvals

To download certificates, visit the product detail page: <https://www.phoenixcontact.com/us/products/2856087>



EAC

Approval ID: EAC-Zulassung



DNV GL

Approval ID: TAE00001N6



EAC

Approval ID: RU C-DE.*09.B.00169



UL Listed

Approval ID: FILE E 138168

Nominal voltage U_N	Nominal current I_N	Cross section AWG	Cross section mm^2
24 V	0.3 A	-	-



cUL Listed

Approval ID: FILE E 333250



UL Listed

Approval ID: FILE E 333250

cULus Listed

PT 2X1-24DC-ST - Surge protection plug



2856087

<https://www.phoenixcontact.com/us/products/2856087>

Classifications

ECLASS

ECLASS-11.0	27130807
ECLASS-13.0	27171501

ETIM

ETIM 9.0	EC000943
----------	----------

UNSPSC

UNSPSC 21.0	39121600
-------------	----------

PT 2X1-24DC-ST - Surge protection plug



2856087

<https://www.phoenixcontact.com/us/products/2856087>

Environmental product compliance

EU RoHS

Fulfills EU RoHS substance requirements	Yes
Exemption	7(a), 7(c)-I

China RoHS

Environment friendly use period (EFUP)	EFUP-50
	An article-related China RoHS declaration table can be found in the download area for the respective article under "Manufacturer declaration". For all articles with EFUP-E, no China RoHS declaration table issued and required.

EU REACH SVHC

REACH candidate substance (CAS No.)	Lead(CAS: 7439-92-1)
SCIP	481df695-0cac-430a-a05c-cc4a45aa6308

Phoenix Contact 2024 © - all rights reserved

<https://www.phoenixcontact.com>

Phoenix Contact USA
586 Fulling Mill Road
Middletown, PA 17057, United States
(+717) 944-1300
info@phoenixcon.com