

Technical specification :

Rated voltage: IEC 61076-2-104	4/3pos 60 V
Current rating: IEC 61076-2-104	3 A at 40°C
Insulation resistance: IEC 60512	>=100 MΩ
Pollution degree: IEC 60664-1	3/2
Degree of protection: IEC 60529	IP 67, in mated condition
Temperature range:	-30°C ... +80°C
Mating cycles: IEC 60512-9a	>=100

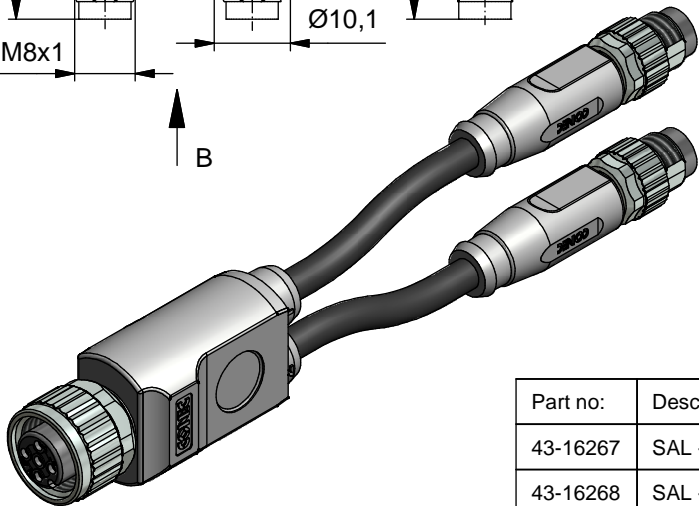
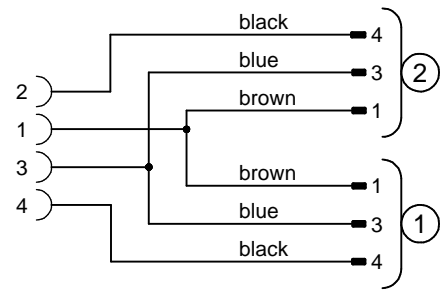
Materials:

Contact:	CuZn
Contact plating:	Nickel, gold plated
Contact carrier:	PA, UL 94
Sealing:	FPM
Coupling nut/ screw:	GD-Zn, nickel plated
Moulding body:	TPU, UL 94, grey

Installation specification:

Recommended torque:	0,6 Nm at width across flats 13 0,4 Nm at width across flats 9
Conec installation tool:	Torque wrench: 36-000200 Insert across flats 13: 36-000220 Insert across flats 9: 36-000210

contact assignment 4/3pol:



Part no:	Description:	Length L:	Cable:
43-16267	SAL - 12 - DK4 - 8 - 2RS3 - 0,3 / 0,3 / K1	0,3m	TPE, UL 20549, black, 3x0,25mm ² Cable: 781-K12300
43-16268	SAL - 12 - DK4 - 8 - 2RS3 - 0,6 / 0,6 / K1	0,6m	
43-16269	SAL - 12 - DK4 - 8 - 2RS3 - 1,5 / 1,5 / K1	1,5m	
43-16270	SAL - 12 - DK4 - 8 - 2RS3 - 3 / 3 / K1	3,0m	
43-xxxxx	SAL - 12 - DK4 - 8 - 2RS3 - ... / ... / K1	x	

D see data sheet cable

DO NOT ALTER CAD DRAWING BY HAND Directive 2002/95/EC RoHS compliant	dim. in mm	title: Duo-distributor, female connector M12x1 axial - 2x male connector M8x1 axial		
	date name			
	tolerance of cable: L ≤ 4m: L + 40mm L > 4m: L + 1%	drawn 19.11.12 Fromm appd. 19.11.12 Mankopf	dwg no: <div style="text-align: center; font-size: 1.2em; font-weight: bold;">43K1A1875</div>	
	general tolerance: 0 ± 0,50mm 0,0 ± 0,25mm 0,00 ± 0,10mm			
	THIS DRAWING MAY NOT BE COPIED OR REPRODUCED IN ANY WAY, AND MAY NOT BE PASSED ON TO A THIRD PARTY WITHOUT WRITTEN PERMISSION. OWNERSHIP AND COPYRIGHT OF CONEC GmbH			

