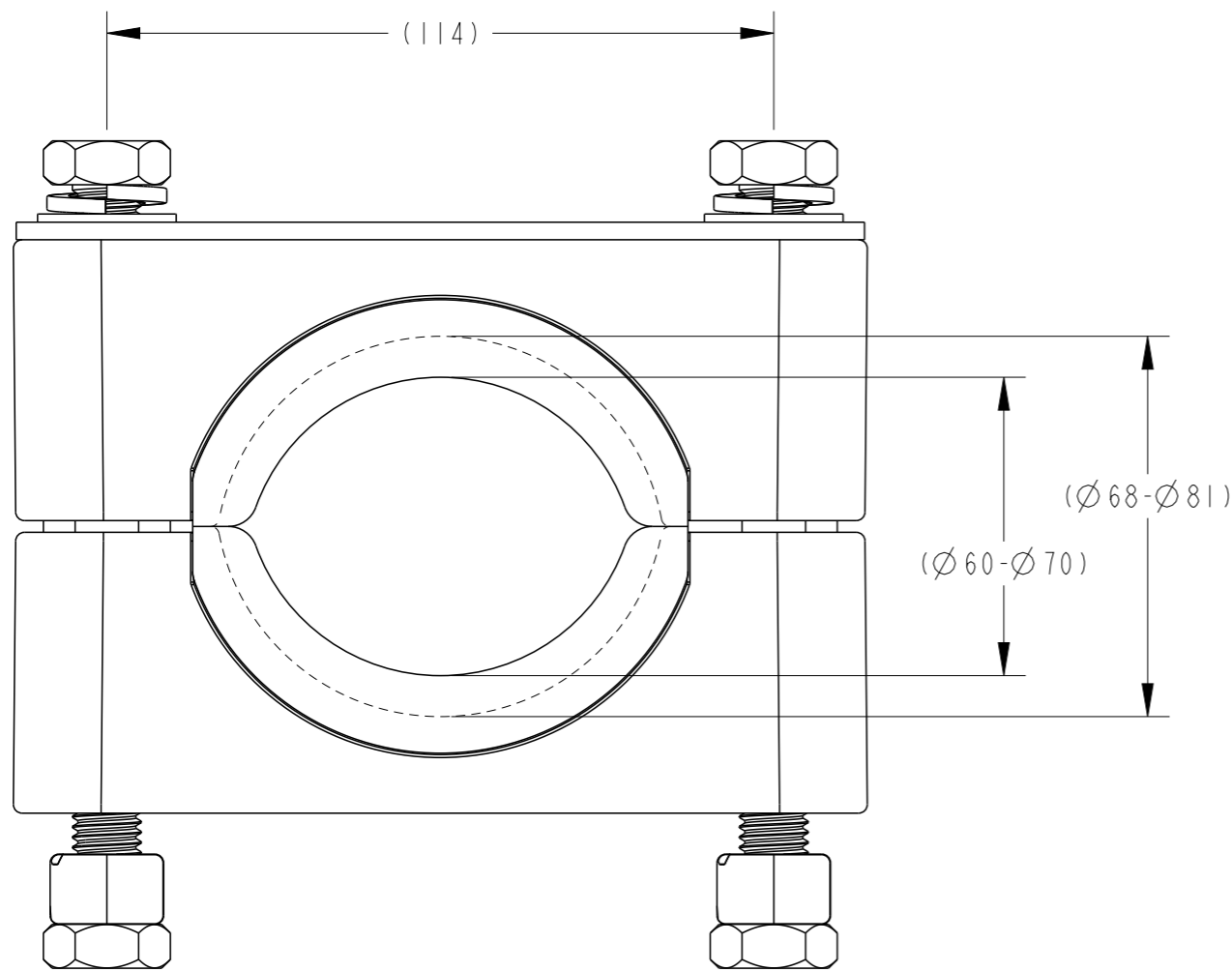
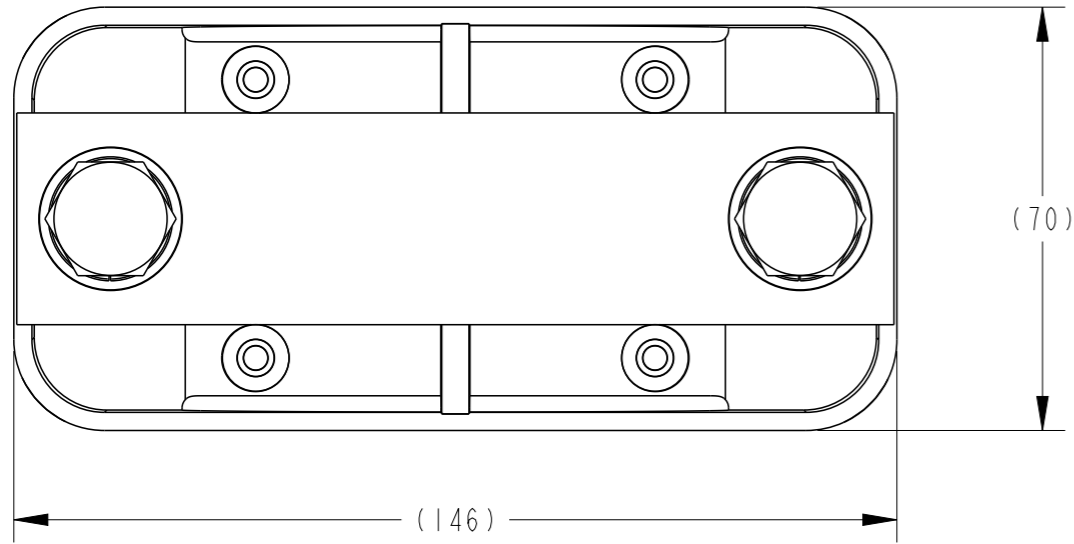
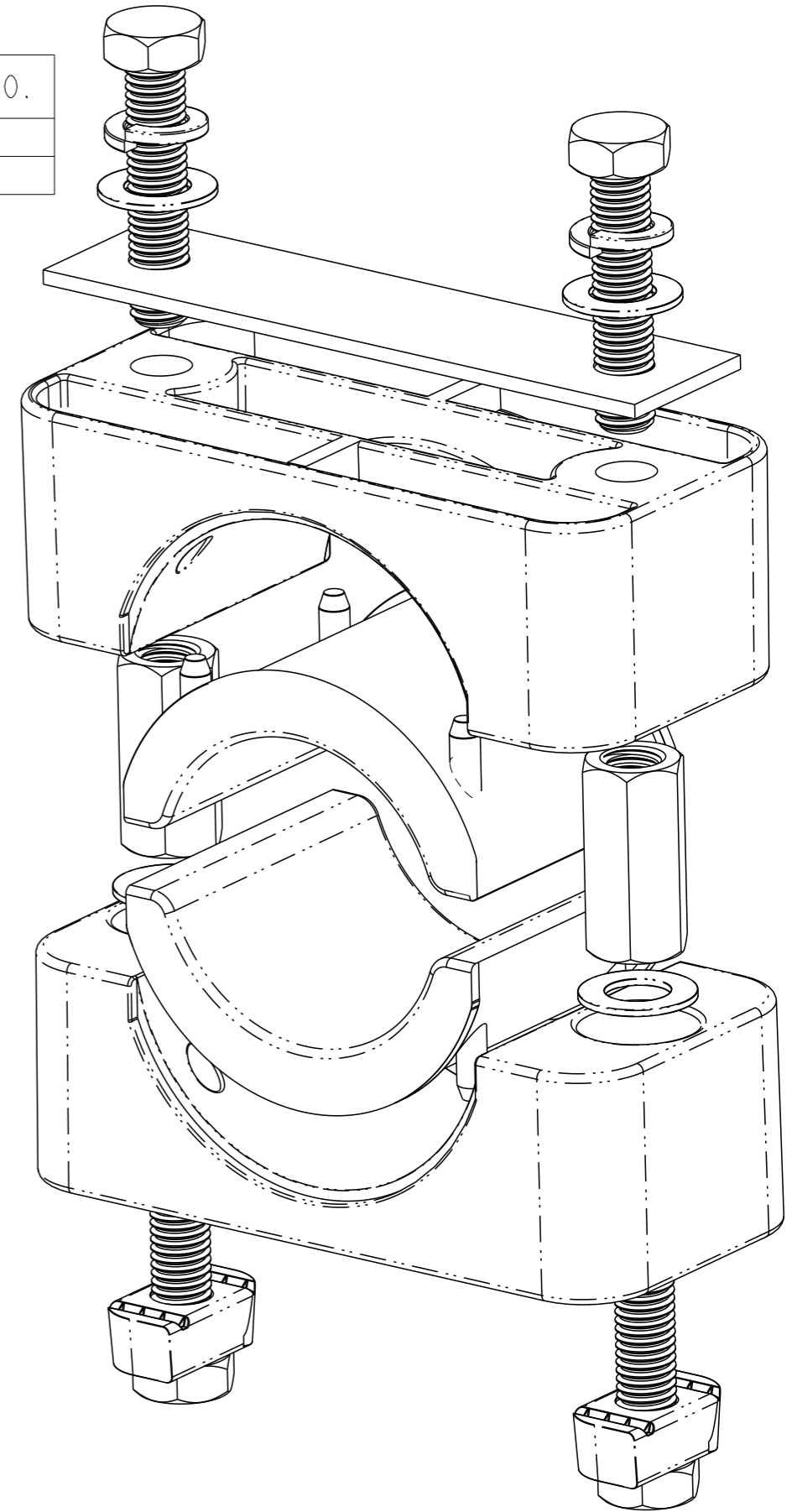
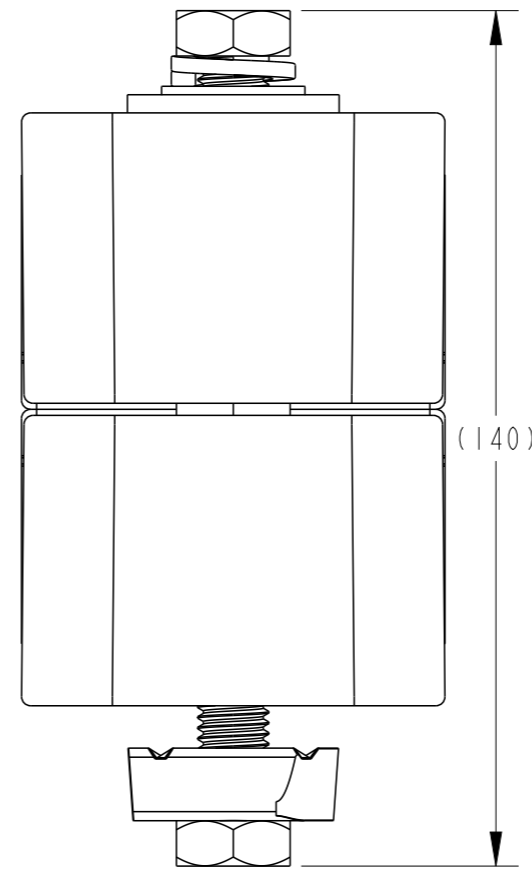


DRAWING NO. AU29480  
THIS DRAWING IS A CONTROLLED DOCUMENT



PART NO.	CATALOGUE NO.	REFERENCE NO.
EF8406-000	CC60-70-SN-M12	-
CV8202-000	CC68-81-SN-M12	TAP10909B



THIS INFORMATION IS CONFIDENTIAL AND PROPRIETARY TO TE CONNECTIVITY CORPORATION AND ITS WORLDWIDE SUBSIDIARIES AND AFFILIATES. IT MAY NOT BE DISCLOSED TO ANYONE, OTHER THAN TE CONNECTIVITY PERSONNEL, WITHOUT WRITTEN AUTHORIZATION FROM TE CONNECTIVITY CORPORATION, AUSTRALIA.

LOC																											
DIST	—	I	NEW RELEASE	05-09-2014	RN	AT	<b>IMPLIED NOTES</b> BURRS AND SHARP EDGES REMOVED SCREW THREADS ARE TO AS 1275 DO NOT WORK TO DIMS MARKED REF SURFACE FINISH 6.3 U.N.O. DIMS ARE IN mm. DO NOT SCALE			<b>IMPLIED TOLERANCES</b> HOLE DIA AND LOCATIONS: ±0.5mm. DIMENSIONS UP TO 30mm: ±1.5mm. DIMENSIONS OVER 30mm: ±5% UP TO A MAX OF: ±5mm. ANGULAR DIMENSIONS: ±5°			TCPN <b>REFER TABLE</b> PART Alias UTX/DUL <b>CC60-81-SN-M12</b> Cat No <b>REFER TABLE</b>		TITLE <b>CABLE CLEAT ø60-ø70 AND ø68-ø81          STRUT NUT</b>					DRAWN RN DATE 05-09-2014		CHECKED RN APPROVED AT				TE Connectivity 2/3 Corella Close Berkeley Vale NSW 2261 Australia	
POS	REV	REVISION RECORD			DATE	DWN	APVD	MATERIAL NO	MATL SPEC/STD/DRG NO	PROCESS SPEC HEAT TREAT/PLATING NO	SIZE	PROJECTION	SCALE	DRAWING NO	SHEET	OF	REV										
8					7						A3	3RD ANGLE	4:5	AU29480	1												