

41

4143 01

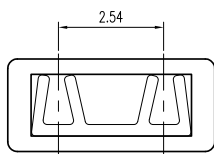
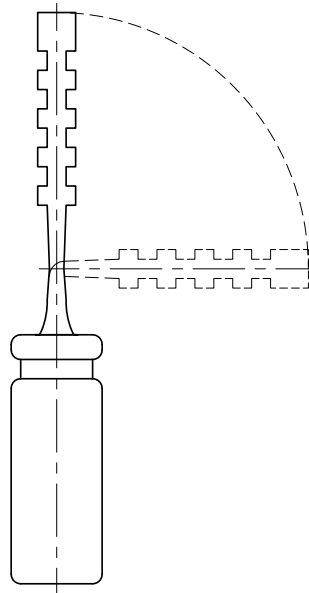
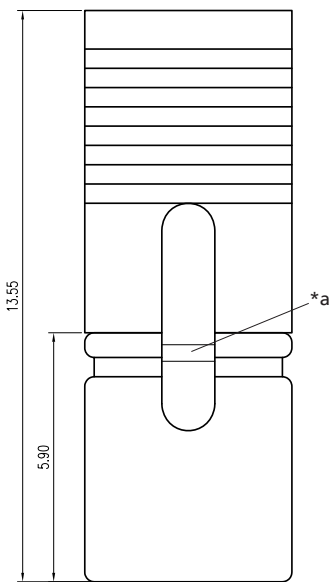
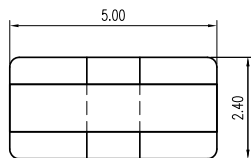
Shorting links, pitch 2.5/2.54 mm



Shorting link, with test pick-up and handle latch

41

4143 01



Environmental conditions

Temperature range -55 °C/+105 °C

Materials

Insulating body PBT, V-0 according to UL94
Contact spring Cu alloy, pre-nickel and gold-plated

Mechanical data

Mating cycles 100
Insertion force $\leq 5,0$ N
Withdrawal force $\geq 2,0$ N

Electrical data (at T_{amb} 20 °C)

Contact resistance ≤ 20 m Ω
Rated current 3 A
Rated voltage 500 V AC
Insulation resistance 10 G Ω

Associated products

Counterparts

☞ 2,5 MS	☞ 2,5 MSF	☞ 2,5 MSF/O
☞ 2,5 MSFQ	☞ 2,5 MSFQ/O	☞ 2,5 MSFW
☞ 2,5 MSFW/O	☞ 2,5 MSFWQ	☞ 2,5 MSFWQ/O
☞ 3850	☞ 3851	☞ 3852
☞ 3853	☞ 8385 A 01	

*a test pick-up

41

4143 01

Designation	Pole Number	PU (Pieces)	MDQ (Pieces)
4143 01	-	5000	5000

Packaging:

in bulk, in a plastic bag, in a cardboard box