

60885-2 ✓ ACTIVE

TE Internal #: 60885-2

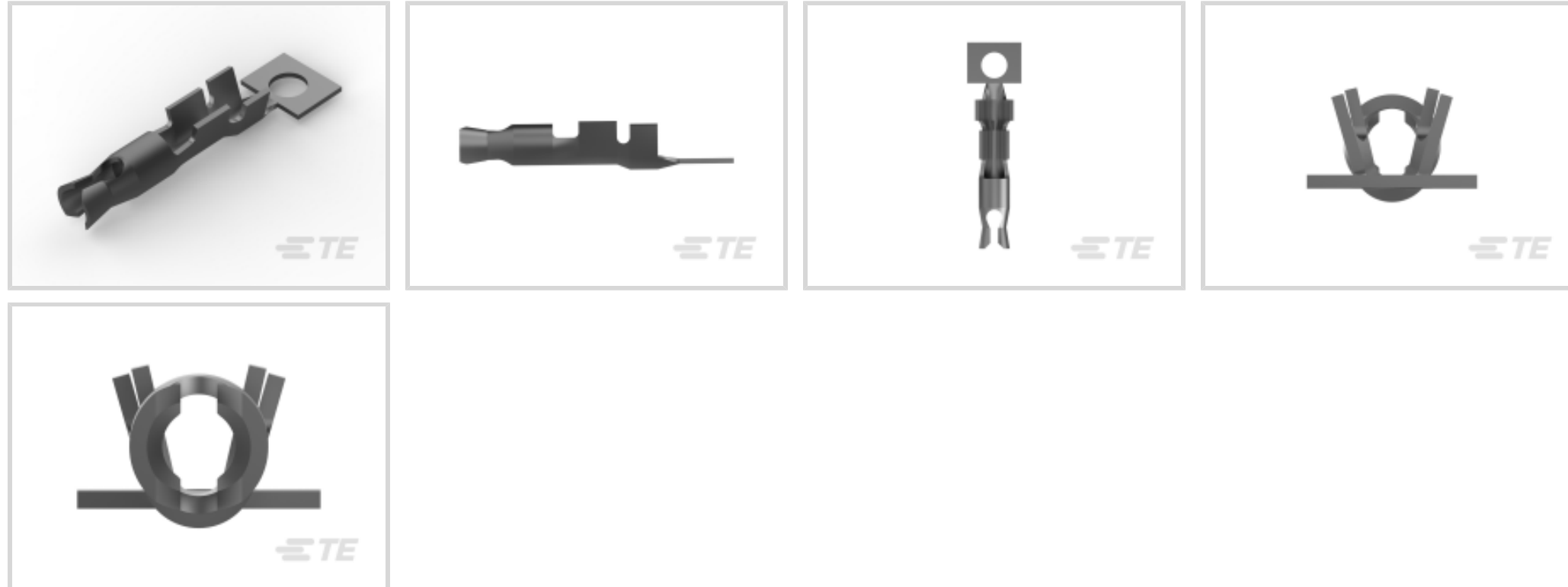
Receptacle, Mating Pin Diameter 1.39 mm [.055 in], 24 – 20 AWG

Wire Size, .2 – .6 mm² Wire Size, Crimp Wire Pins, Tabs & Ferrules

[View on TE.com >](#)



Terminals & Splices > Crimp Wire Pins, Tabs & Ferrules



Crimp Wire Terminal Type: **Receptacle**

Mating Pin Diameter: **1.39 mm [.055 in]**

Compatible Insulation Diameter Range: **1.22 – 1.8 mm, 1.8 mm [.048 – .071 in, .071 in]**

Wire Size: **.2 – .6 mm²**

Features

Product Type Features

Compatible With Discrete Wire Type

Solid, Stranded

Configuration Features

Compatible With Wire & Cable Type

Discrete Wire

Contact Features

Crimp Wire Terminal Type

Receptacle

Mating Pin Diameter

1.39 mm [.055 in]

Barrel Type

Open

Terminal Plating Material

Tin

Terminal Orientation

Straight

Mechanical Attachment

Wire Insulation Support

With

Dimensions

Compatible Insulation Diameter Range

1.22 – 1.8 mm, 1.8 mm [.048 – .071 in][.071 in]

Wire Size

404 – 1021 CMA

Barrel Inside Diameter

1.39 mm, 2.54 mm [.055 in][.1 in]



Terminal Material Thickness	.32 mm[.013 in]
-----------------------------	-----------------

Overall Product Length	11.43 mm[.45 in]
------------------------	------------------

Usage Conditions

Insulation Option	Uninsulated
-------------------	-------------

Packaging Features

Packaging Quantity	20000
--------------------	-------

Packaging Method	Reel
------------------	------

Product Compliance

[For compliance documentation, visit the product page on TE.com>](#)

EU RoHS Directive 2011/65/EU	Compliant
------------------------------	-----------

EU ELV Directive 2000/53/EC	Compliant
-----------------------------	-----------

China RoHS 2 Directive MIIT Order No 32, 2016	No Restricted Materials Above Threshold
---	---

EU REACH Regulation (EC) No. 1907/2006	Current ECHA Candidate List: JUNE 2024 (241) Candidate List Declared Against: JUNE 2024 (241) Does not contain REACH SVHC
--	---

Halogen Content	Low Halogen - Br, Cl, F, I < 900 ppm per homogenous material. Also BFR/CFR/PVC Free
-----------------	---

Solder Process Capability	Not applicable for solder process capability
---------------------------	--

Product Compliance Disclaimer

This information is provided based on reasonable inquiry of our suppliers and represents our current actual knowledge based on the information they provided. This information is subject to change. The part numbers that TE has identified as EU RoHS compliant have a maximum concentration of 0.1% by weight in homogenous materials for lead, hexavalent chromium, mercury, PBB, PBDE, DBP, BBP, DEHP, DIBP, and 0.01% for cadmium, or qualify for an exemption to these limits as defined in the Annexes of Directive 2011/65/EU (RoHS2). Finished electrical and electronic equipment products will be CE marked as required by Directive 2011/65/EU. Components may not be CE marked. Additionally, the part numbers that TE has identified as EU ELV compliant have a maximum concentration of 0.1% by weight in homogenous materials for lead, hexavalent chromium, and mercury, and 0.01% for cadmium, or qualify for an exemption to these limits as defined in the Annexes of Directive 2000/53/EC (ELV). Regarding the REACH Regulation, the information TE provides on SVHC in articles for this part number is based on the latest European Chemicals Agency (ECHA) 'Guidance on requirements for substances in articles' posted at this URL: <https://echa.europa.eu/guidance-documents/guidance-on-reach>

Compatible Parts




TE Part # 42428-5
PIN TERMINAL RECEPTACLE 24-20 AWG TPPHBZ



TE Part # 42745-2
PIN 090 FLAG RECEPTACLE 20-14 AWG TPPHBZ



TE Part # 42827-2
PIN .093 RECEPTACLE 24-18 AWG TPBR



TE Part # 170073-5
PIN WITH LANCE .093 REC 24-20 PRE-TPBR



TE Part # 62160-1
PIN .040 RECEPTACLE 24-20 AWG TPPHBZ



TE Part # 60733-1
PIN .090 RECEPTACLE TPPHBZ



TE Part # 62358-1
PIN .080 (2.03 MM) 24-20 AWG TPBR



TE Part # 170073-2
PIN WITH LANCE .093 REC 24-20 POST-TPBR



TE Part # 1742350-1
PIN 2.08 DIA 22-18AWG TPBR



TE Part # 60376-1
PIN 090 RECEPTACLE 20-14 AWG TPPHBZ



TE Part # 62402-1
PIN .106 REC 22-18 AWG (OR) 22AWG PTPBR



TE Part # 42428-8
040 PIN REC IS 24-20 SPPHBZ

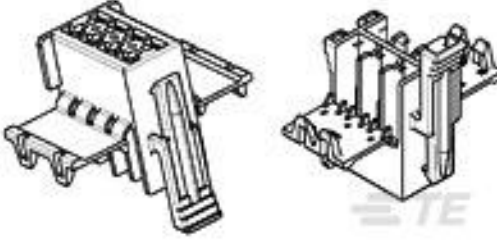


TE Part # 42869-6
.040 PIN REC 24-20 .0126TPPHBZ

Customers Also Bought



TE Part #6-1393211-2
T92P7A22-240



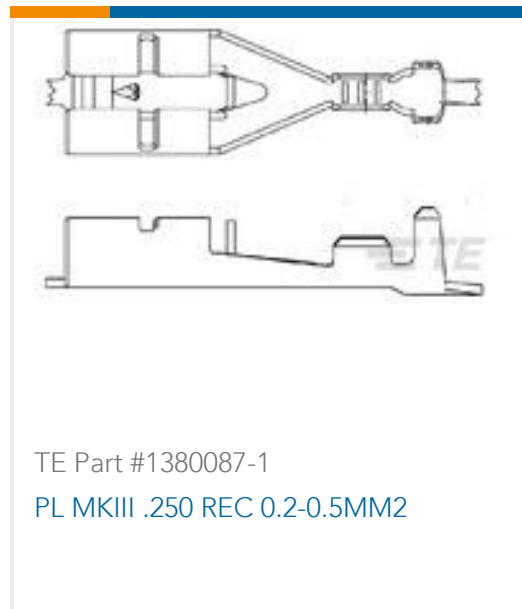
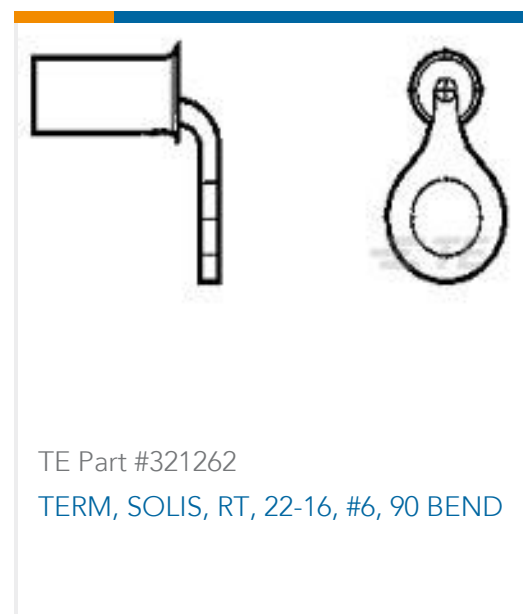
TE Part #929504-1
2X 2P JUN POW TIMGH



TE Part #282105-1
AMP SUPERSEAL 1.5 SERIES 3P CA



TE Part #HDP26-24-9PN-L015
PLG, 9P, BLK, N, THD, 4/8/12, P



Documents

Product Drawings

[PIN .055 REC 24-20 AWG TPPHBZ](#)

English

CAD Files

[3D PDF](#)

3D

Customer View Model

[ENG_CVM_CVM_60885-2_BT.2d_dxf.zip](#)

English

Customer View Model

[ENG_CVM_CVM_60885-2_BT.3d_igs.zip](#)

English

Customer View Model

[ENG_CVM_CVM_60885-2_BT.3d_stp.zip](#)

English

By downloading the CAD file I accept and agree to the [Terms and Conditions](#) of use.

Product Specifications

[Application Specification](#)

English

[Pin Receptacle Contact With Closed Seam](#)

English