

HC-B 6-TMS-EEE-PR-DI - Profile gasket



1409794

<https://www.phoenixcontact.com/us/products/1409794>

Please be informed that the data shown in this PDF document is generated from our online catalog. Please find the complete data in the user documentation. Our general terms of use for downloads are valid.

Profile gasket for sleeve housing type B6.....EEE



Commercial data

Item number	1409794
Packing unit	10 pc
Minimum order quantity	10 pc
Sales key	BF66
Product key	BF7APZ
Catalog page	Page 662 (C-2-2017)
GTIN	4046356750905
Weight per piece (including packing)	4.79 g
Weight per piece (excluding packing)	2.75 g
Customs tariff number	40169300
Country of origin	DE

HC-B 6-TMS-EEE-PR-DI - Profile gasket



1409794

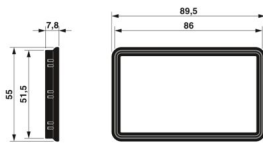
<https://www.phoenixcontact.com/us/products/1409794>

Technical data

Product properties

Product type	Seal
Type	B6

Dimensions

Dimensional drawing	
Width	55 mm
Height	7.8 mm
Length	89.5 mm

Material specifications

Material	NBR, conductive
----------	-----------------

Environmental and real-life conditions

Ambient conditions

Ambient temperature (operation)	-40 °C ... 125 °C
---------------------------------	-------------------

HC-B 6-TMS-EEE-PR-DI - Profile gasket

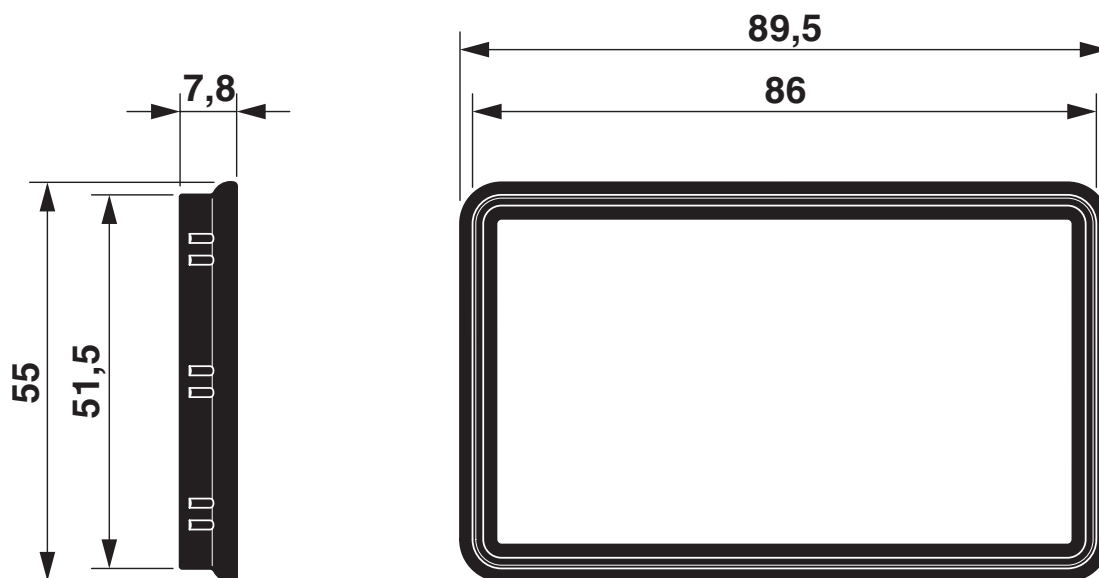


1409794

<https://www.phoenixcontact.com/us/products/1409794>

Drawings

Dimensional drawing



Dimensional drawing

HC-B 6-TMS-EEE-PR-DI - Profile gasket



1409794

<https://www.phoenixcontact.com/us/products/1409794>

Approvals

To download certificates, visit the product detail page: <https://www.phoenixcontact.com/us/products/1409794>



EAC

Approval ID: RU C-DE.AI30.B.01102

HC-B 6-TMS-EEE-PR-DI - Profile gasket



1409794

<https://www.phoenixcontact.com/us/products/1409794>

Classifications

ECLASS

ECLASS-11.0	23071590
ECLASS-12.0	23071590
ECLASS-13.0	23071590

ETIM

ETIM 9.0	EC002498
----------	----------

UNSPSC

UNSPSC 21.0	31401600
-------------	----------

HC-B 6-TMS-EEE-PR-DI - Profile gasket



1409794

<https://www.phoenixcontact.com/us/products/1409794>

Environmental product compliance

EU RoHS

Fulfills EU RoHS substance requirements	Yes, No exemptions
---	--------------------

China RoHS

Environment friendly use period (EFUP)	EFUP-E
	No hazardous substances above the limits

EU REACH SVHC

REACH candidate substance (CAS No.)	No substance above 0.1 wt%
-------------------------------------	----------------------------

Phoenix Contact 2024 © - all rights reserved
<https://www.phoenixcontact.com>

Phoenix Contact USA
586 Fulling Mill Road
Middletown, PA 17057, United States
(+717) 944-1300
info@phoenixcon.com