

MATERIALS AND FINISHES

BODY/CAP: ZINC ALLOY
PLATED: TIN

CENTER CONTACT: PHOSPHOR BRONZE
OR BRASS
PLATED: GOLD

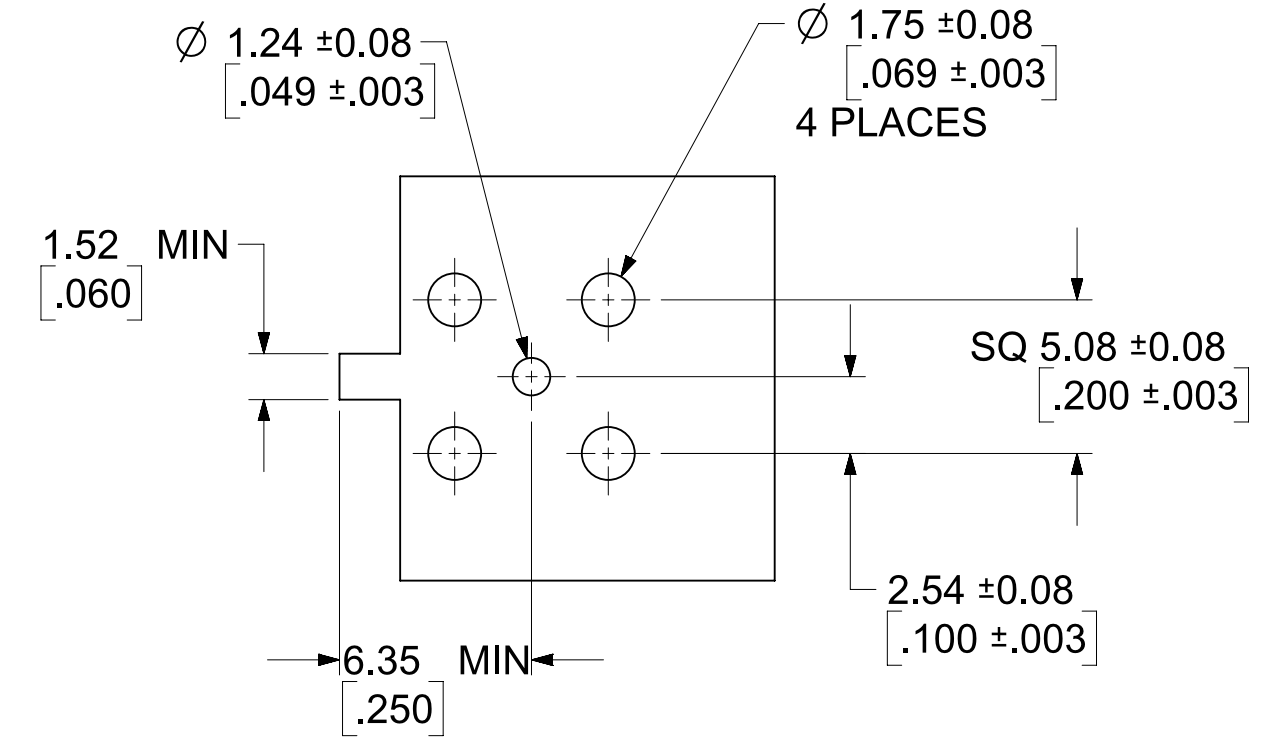
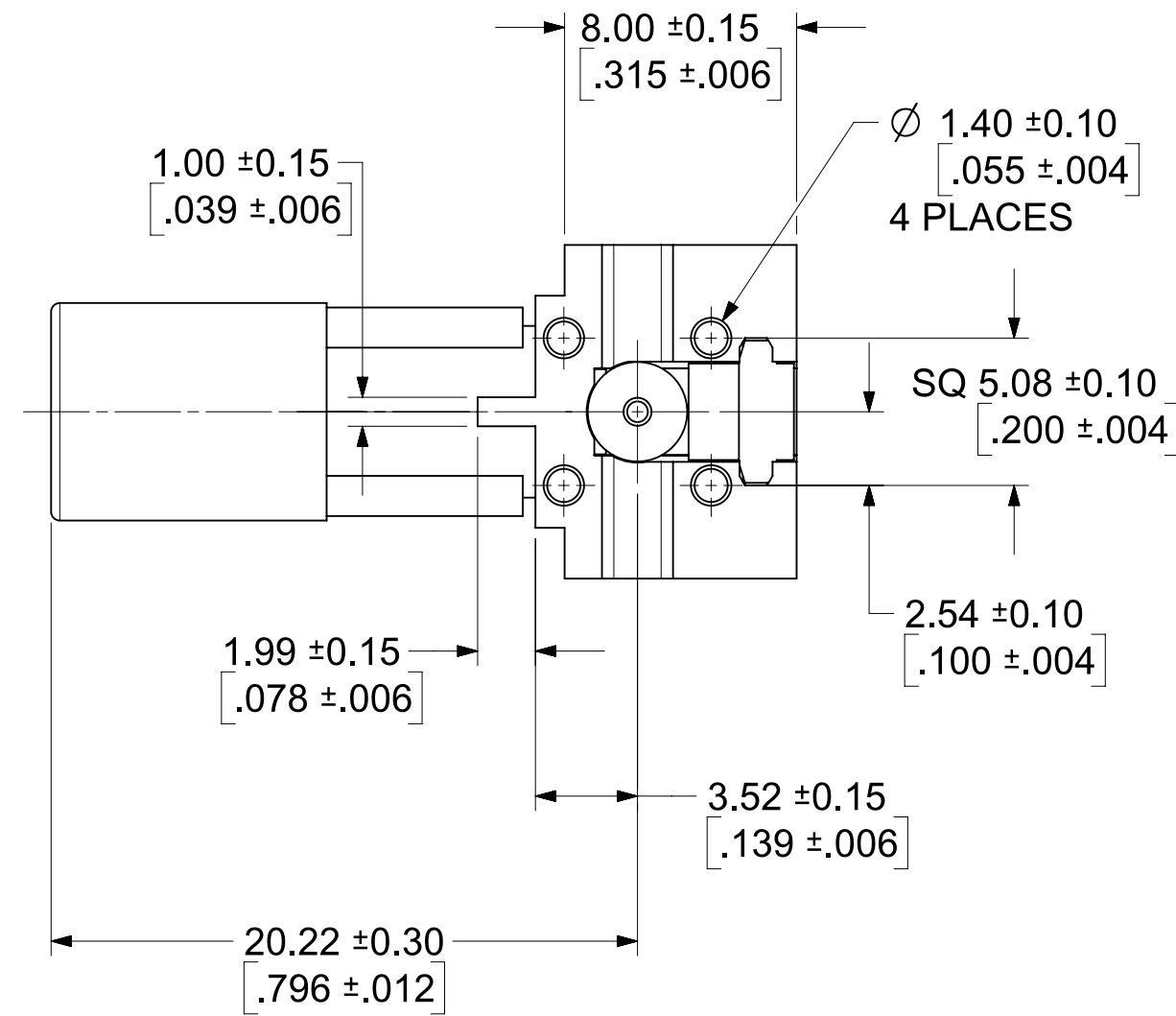
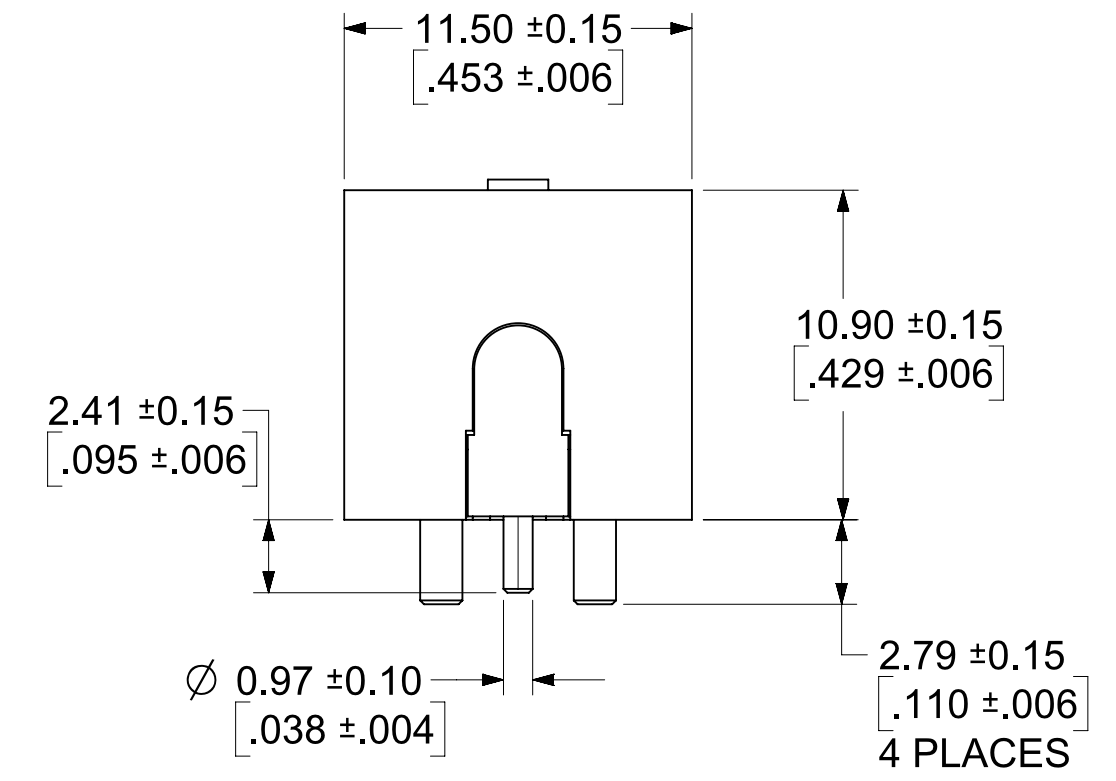
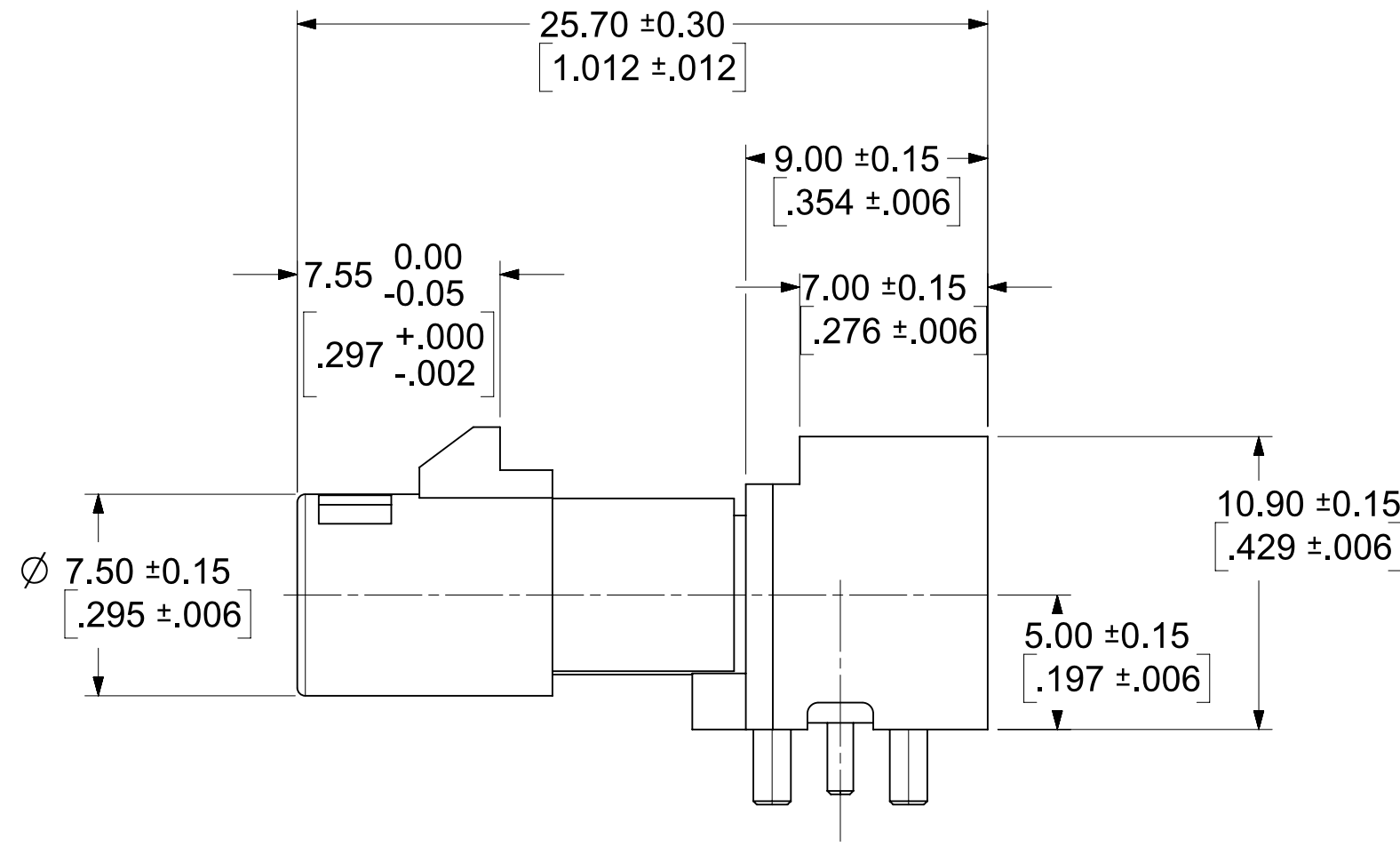
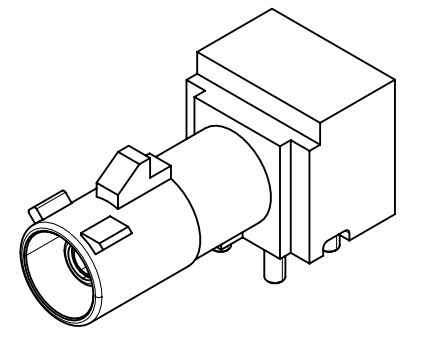
COLOR RING : HIGH TEMPERATURE
PLASTIC
COLOR: SEE TABLE

KEYING: SEE TABLE

INSULATOR: TEFLON

RETENTION SPECIFICATION:

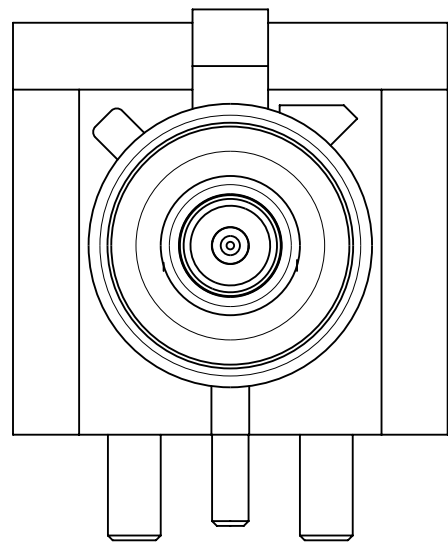
THE FAKRA CONNECTOR SHOULD WILL WITHSTAND
A LONGITUDINAL FORCE OF 110 N (24.75 LBS)



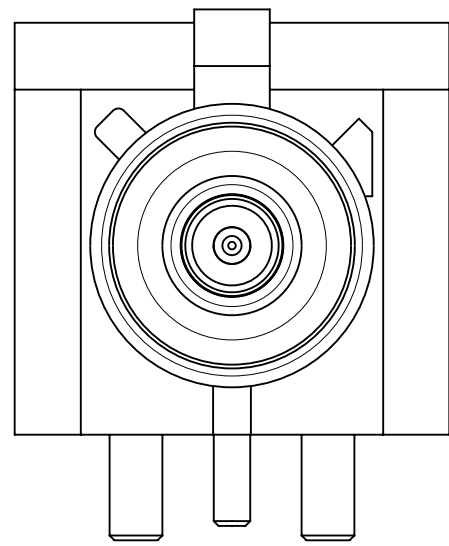
RECOMMENDED CIRCUIT BOARD PATTERN AND
MINIMUM BOARD AREA NEEDED FOR CONNECTOR
ANTI-TIPPING FEATURE TO FUNCTION

PS-89675-3310	PRODUCT SPECIFICATION
MIL-STD-348-A, FIG. 311-1	INTERFACE
SPECIFICATION	DESCRIPTION

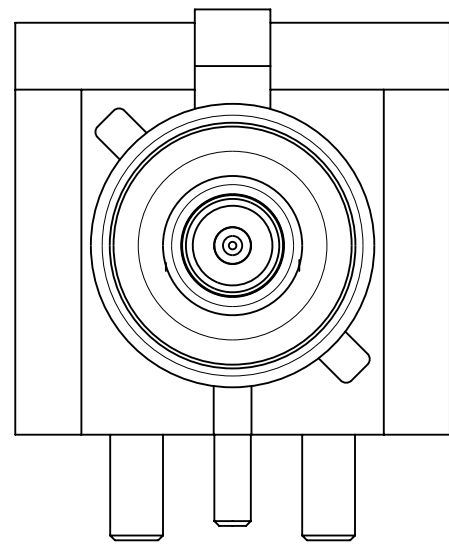
THIS DRAWING CONTAINS INFORMATION THAT IS PROPRIETARY TO MOLEX ELECTRONIC TECHNOLOGIES, LLC AND SHOULD NOT BE USED WITHOUT WRITTEN PERMISSION																													
DIMENSION UNITS mm/INCH	SCALE NTS	CURRENT REV DESC: ADD 25.70±0.30 & PACKING SPEC																											
GENERAL TOLERANCES (UNLESS SPECIFIED)		<table border="1"> <tr> <td colspan="4" style="text-align: center;">molex</td> </tr> <tr> <td colspan="4" style="text-align: center;">SMB JACK, FAKRA, R/A PCB, 50 OHMS SMB-J/PCB</td> </tr> <tr> <td colspan="4" style="text-align: center;">PRODUCT SALES DRAWING</td> </tr> <tr> <td>DOCUMENT NUMBER</td> <td>DOC TYPE</td> <td>DOC PART</td> <td>REVISION</td> </tr> <tr> <td style="text-align: center;">SD-73403-505</td> <td style="text-align: center;">PSD</td> <td style="text-align: center;">001</td> <td style="text-align: center;">A3</td> </tr> </table>								molex				SMB JACK, FAKRA, R/A PCB, 50 OHMS SMB-J/PCB				PRODUCT SALES DRAWING				DOCUMENT NUMBER	DOC TYPE	DOC PART	REVISION	SD-73403-505	PSD	001	A3
molex																													
SMB JACK, FAKRA, R/A PCB, 50 OHMS SMB-J/PCB																													
PRODUCT SALES DRAWING																													
DOCUMENT NUMBER	DOC TYPE									DOC PART	REVISION																		
SD-73403-505	PSD	001	A3																										
ANGULAR TOL	± 2°																												
4 PLACES	±																												
3 PLACES	±																												
2 PLACES	±																												
1 PLACE	±	STATUS: Production	2024-04-18	<table border="1"> <tr> <td>MATERIAL NUMBER</td> <td>CUSTOMER</td> <td colspan="2">SHEET NUMBER</td> </tr> <tr> <td>SEE TABLE</td> <td>GENERAL MARKET</td> <td colspan="2">1 OF 5</td> </tr> </table>						MATERIAL NUMBER	CUSTOMER	SHEET NUMBER		SEE TABLE	GENERAL MARKET	1 OF 5													
MATERIAL NUMBER	CUSTOMER	SHEET NUMBER																											
SEE TABLE	GENERAL MARKET	1 OF 5																											
0 PLACES	±	DRWN: Ricky Yeh	2024-04-24																										
DRAFT WHERE APPLICABLE MUST REMAIN WITHIN DIMENSIONS		CHK'D: Joanne Liao	2024-04-24																										
THIRD ANGLE PROJECTION		APPR: Darry Cheng	2024-04-24																										
DRAWING		SERIES																											
C-SIZE		73403																											



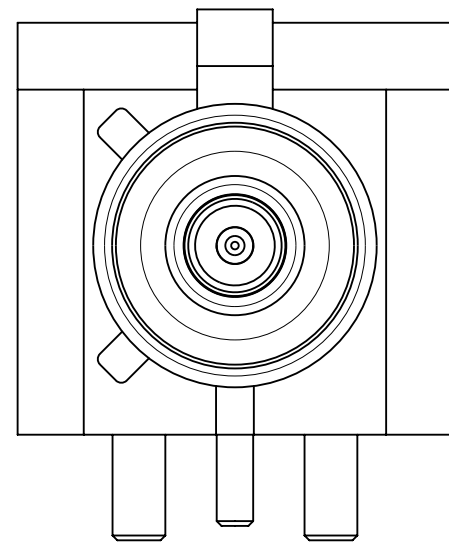
CODE A



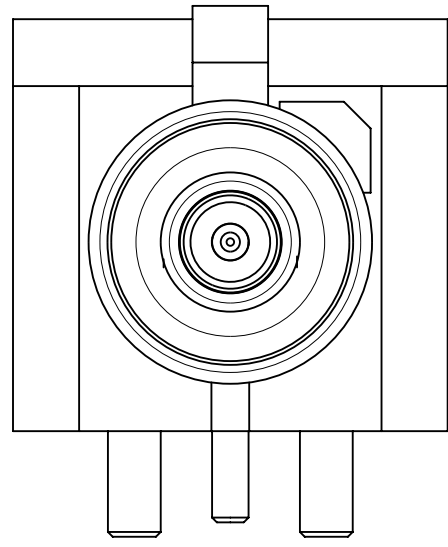
CODE B



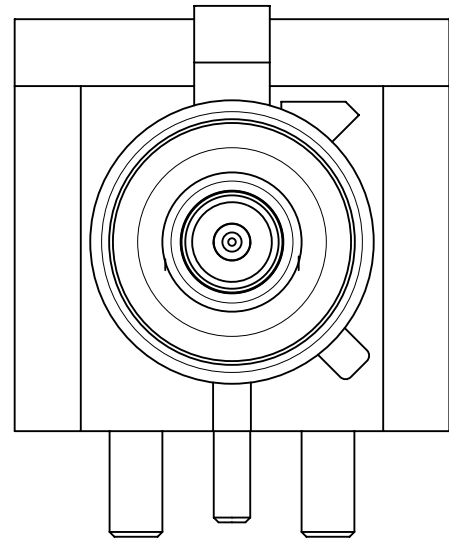
CODE C



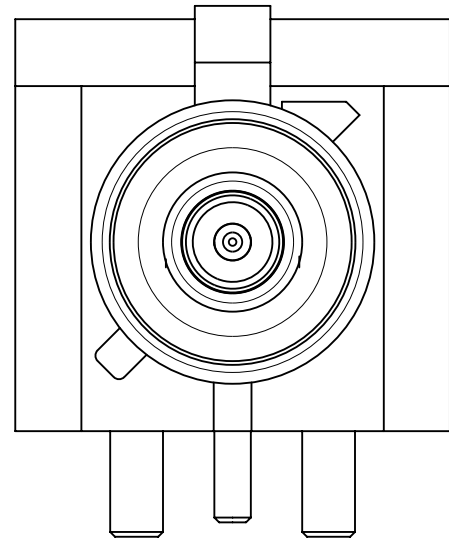
CODE D



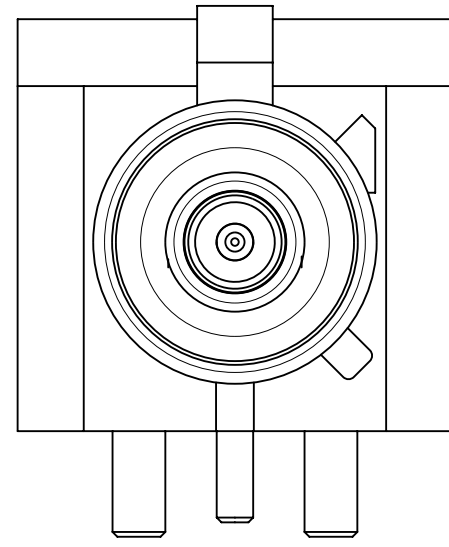
CODE E



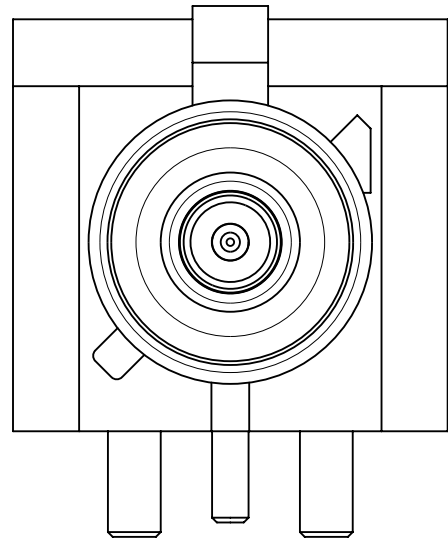
CODE F



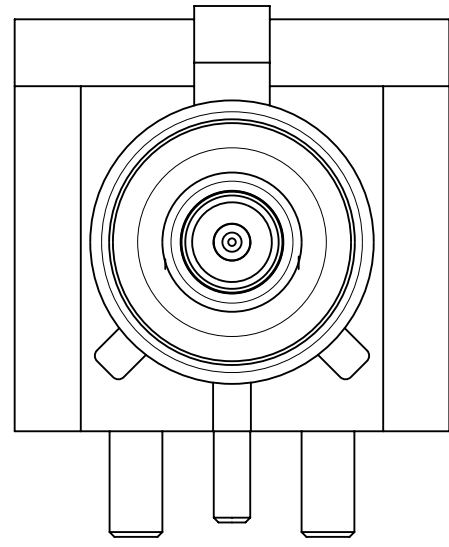
CODE G



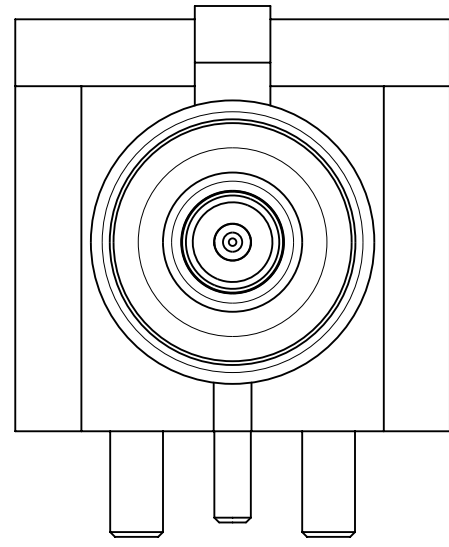
CODE H



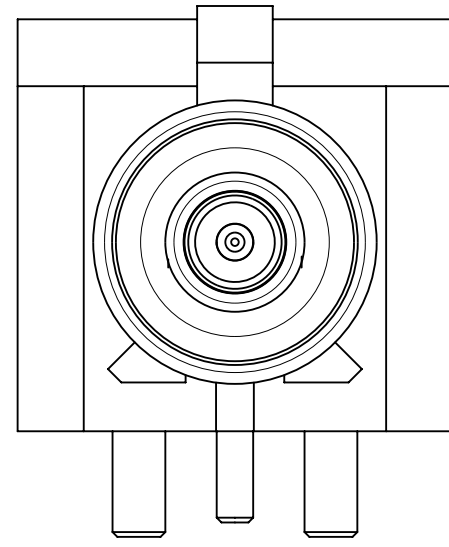
CODE I



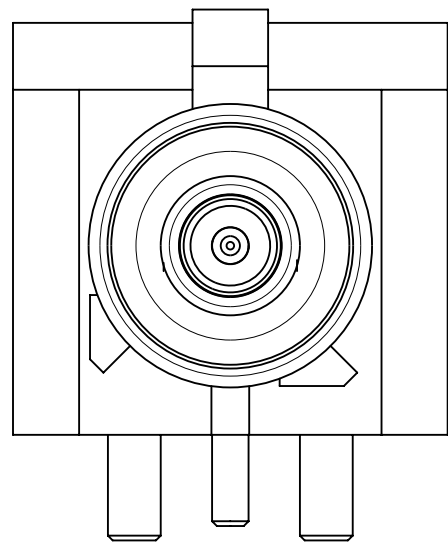
CODE K



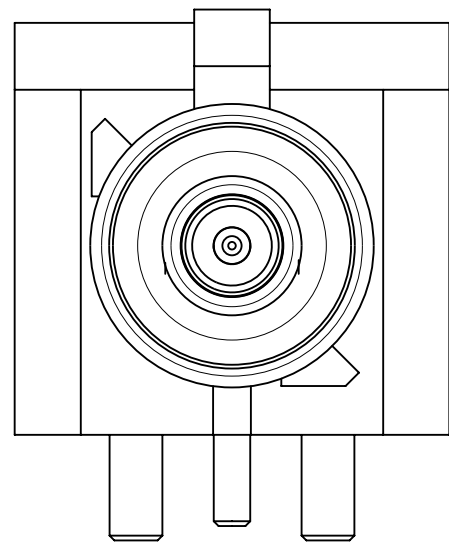
CODE Z



CODE L



CODE M



CODE N

N	PASTEL GREEN	73403-5X63
M	PASTEL ORANGE	73403-5X62
L	CARMINE RED	73403-5X61
Z	WATER BLUE	73403-5X60
K	CURRY YELLOW	73403-5X59
I	BEIGN	73403-5X58
H	VIOLET	73403-5X57
G	GRAY	73403-5X56
F	BROWN	73403-5X55
E	GREEN	73403-5X54
D	BORDEAUXVILOET	73403-5X53
C	BLUE	73403-5X52
B	SINGLE WHITE	73403-5X51
A	BLACK	73403-5X50
KEYING CODE	COLOR	PART NO.

PART NO.	DESCRIPTION	PACKING SPEC
73403-50XX	SINGLE PC	895420089
73403-51XX	TAPE & REEL	SHEET 3, 4, & 5
73403-52XX	TRAY	895420653

MOLEX RF P/N SYSTEM

73403-5 X XX

XX KEYING CODE (SEE TABLE)

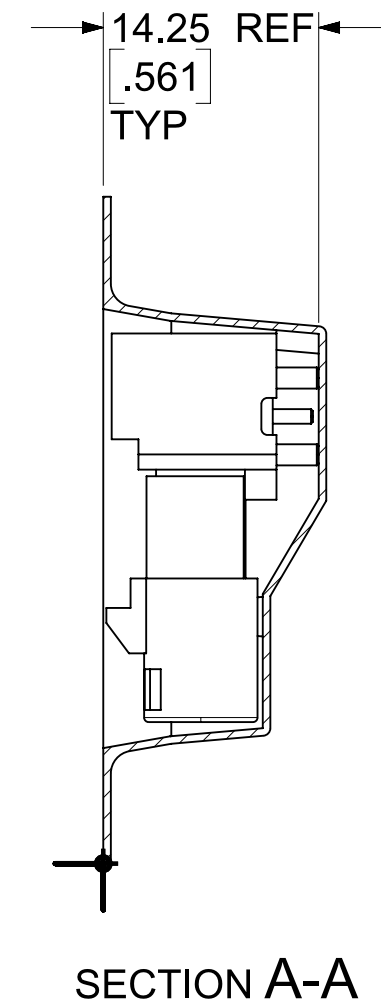
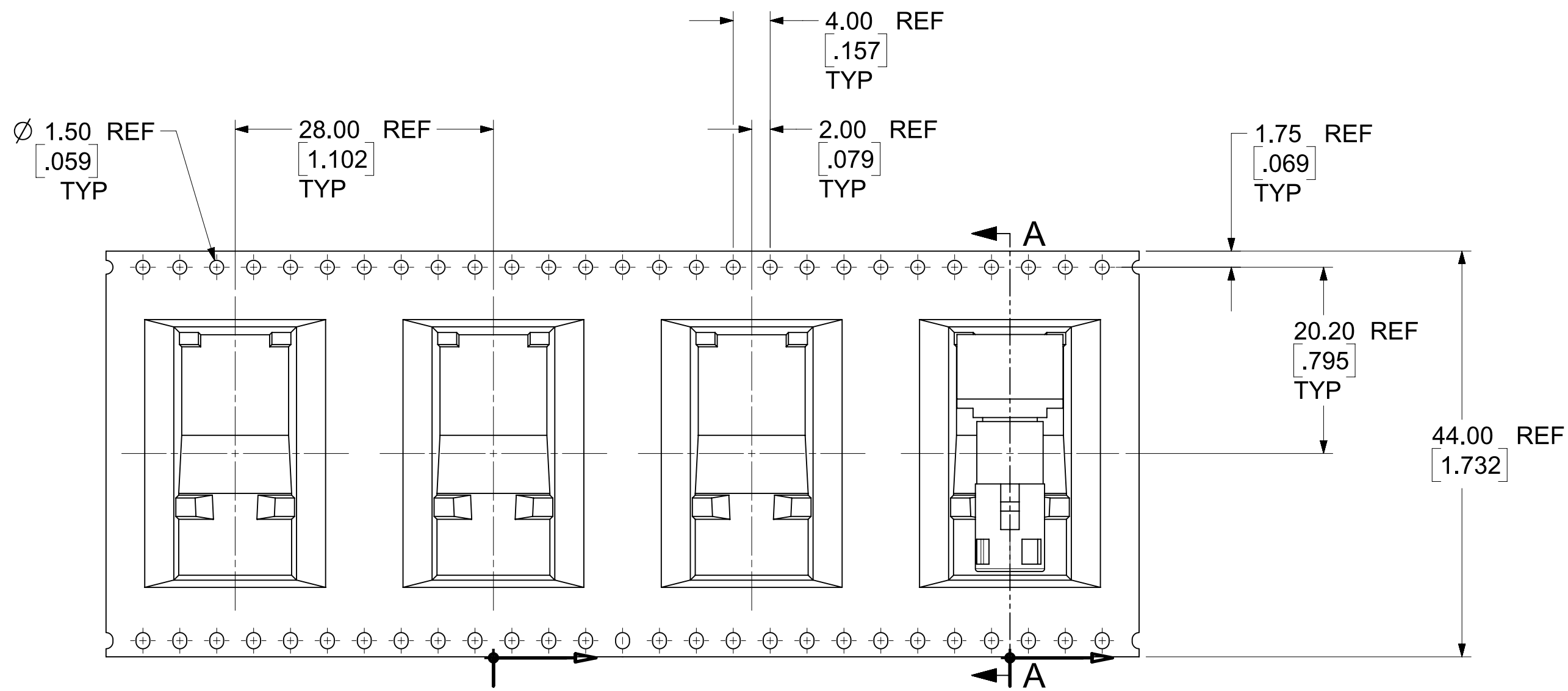
X PACKAGE

0. SINGLE

1. TAPE & REEL

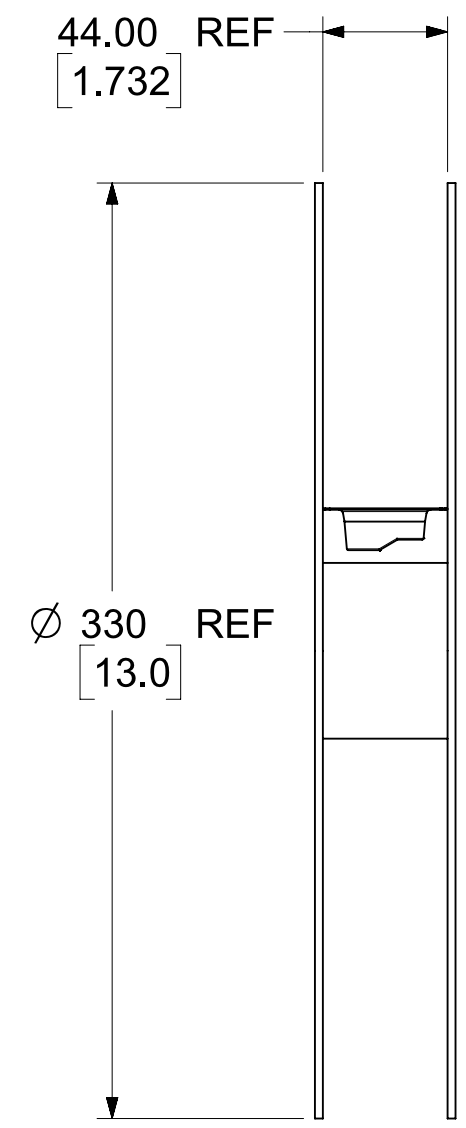
2. TRAY

THIS DRAWING CONTAINS INFORMATION THAT IS PROPRIETARY TO MOLEX ELECTRONIC TECHNOLOGIES, LLC AND SHOULD NOT BE USED WITHOUT WRITTEN PERMISSION																			
DIMENSION UNITS mm/INCH		SCALE NTS		CURRENT REV DESC: ADD 25.70±0.30 & PACKING SPEC															
GENERAL TOLERANCES (UNLESS SPECIFIED)				<div style="text-align: center;">molex</div> <p>SMB JACK, FAKRA, R/A PCB, 50 OHMS SMB-J/PCB</p> <p>PRODUCT SALES DRAWING</p> <table border="1" style="width: 100%;"> <tr> <td colspan="2">DOCUMENT NUMBER</td> <td>DOC TYPE</td> <td>DOC PART</td> <td>REVISION</td> </tr> <tr> <td colspan="2" style="text-align: center;">SD-73403-505</td> <td>PSD</td> <td>001</td> <td>A3</td> </tr> </table>						DOCUMENT NUMBER		DOC TYPE	DOC PART	REVISION	SD-73403-505		PSD	001	A3
DOCUMENT NUMBER		DOC TYPE	DOC PART							REVISION									
SD-73403-505		PSD	001							A3									
ANGULAR TOL ± 2°																			
4 PLACES ±																			
3 PLACES ±																			
2 PLACES ±																			
1 PLACE ±																			
0 PLACES ±																			
DRAFT WHERE APPLICABLE MUST REMAIN WITHIN DIMENSIONS		THIRD ANGLE PROJECTION		DRAWING C-SIZE		SERIES 73403		MATERIAL NUMBER SEE TABLE											
				CUSTOMER GENERAL MARKET		SHEET NUMBER 2 OF 5													
				STATUS: Production		2024-04-18													
				DRWN: Ricky Yeh		2024-04-24													
				CHK'D: Joanne Liao		2024-04-24													
				APPR: Darry Cheng															



VIEWS FOR 73403-51XX

THIS DRAWING CONTAINS INFORMATION THAT IS PROPRIETARY TO MOLEX ELECTRONIC TECHNOLOGIES, LLC AND SHOULD NOT BE USED WITHOUT WRITTEN PERMISSION									
DIMENSION UNITS		SCALE		CURRENT REV DESC: ADD 25.70±0.30 & PACKING SPEC					
mm/INCH		NTS		<p>molex</p> <p>SMB JACK, FAKRA, R/A PCB, 50 OHMS SMB-J/PCB</p> <p>PRODUCT SALES DRAWING</p>					
GENERAL TOLERANCES (UNLESS SPECIFIED)									
ANGULAR TOL ± 2°									
4 PLACES ±									
3 PLACES ±									
2 PLACES ±				STATUS: Production		2024-04-18		DOCUMENT NUMBER	
1 PLACE ±				DRWN: Ricky Yeh		2024-04-24		SD-73403-505	
0 PLACES ±				CHK'D: Joanne Liao		2024-04-24		PSD 001 A3	
DRAFT WHERE APPLICABLE MUST REMAIN WITHIN DIMENSIONS				THIRD ANGLE PROJECTION		DRAWING		SERIES	
						C-SIZE		73403	
						MATERIAL NUMBER		CUSTOMER	
						SEE TABLE		GENERAL MARKET	
						SHEET NUMBER		3 OF 5	



LABEL:
 -ORDER NUMBER
 -QUANTITY
 -PART NUMBER
 -LOT NUMBER

Ø 12.75 REF
 [.502]

8 EMPTY UNITS
 MINIMUM

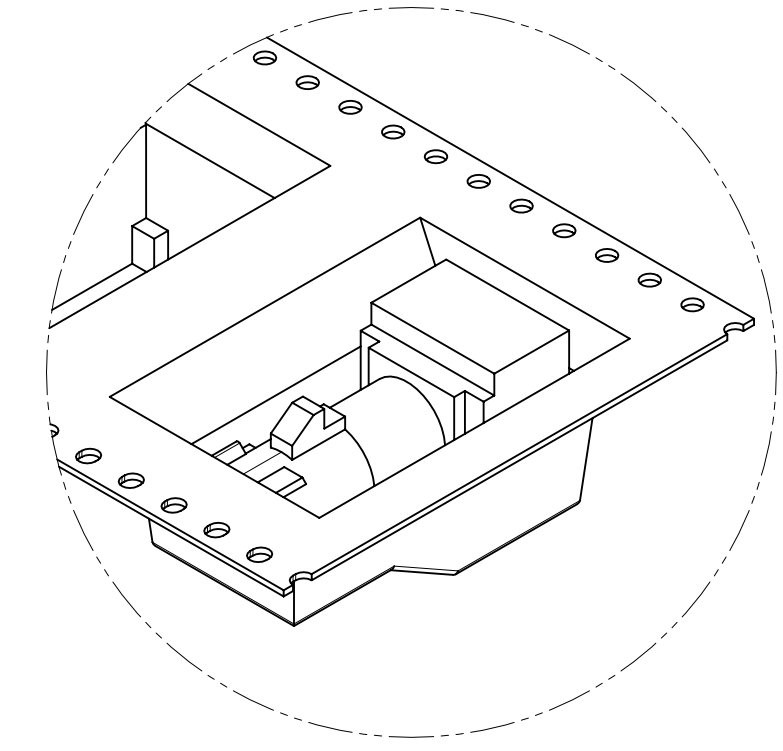
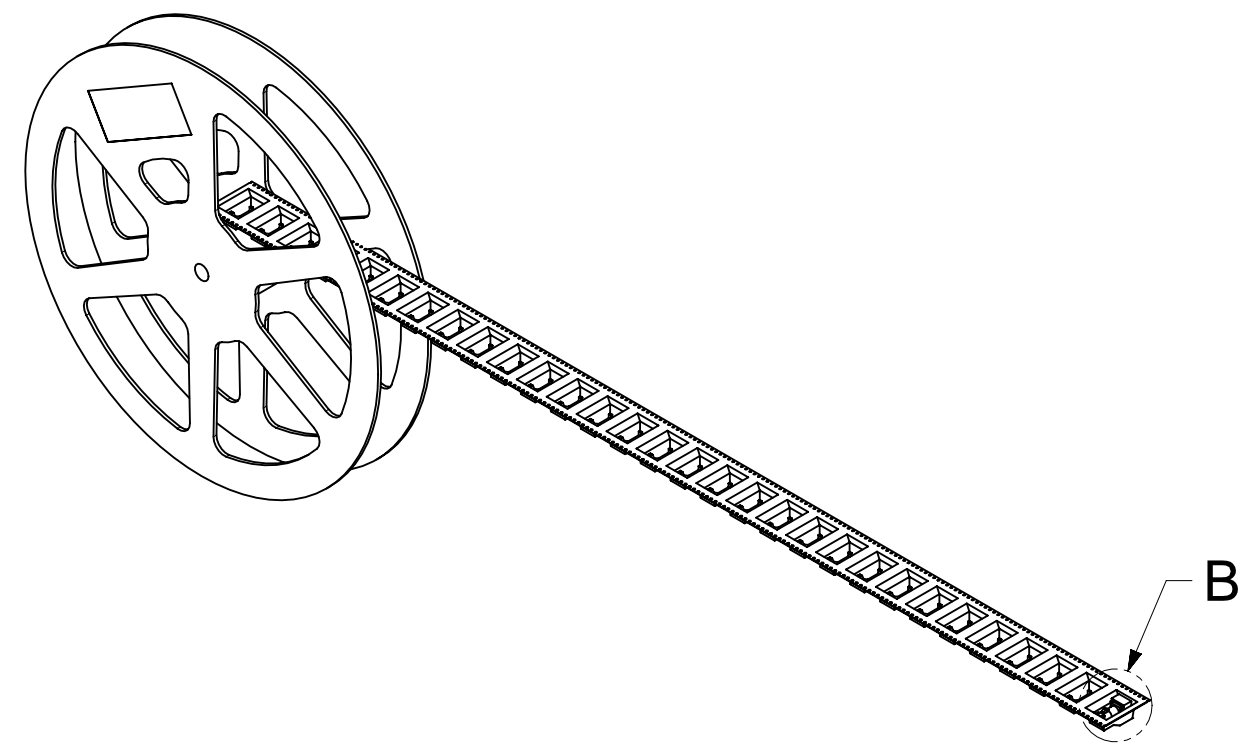
ORDER QUANTITY
 PACKED WITH 160
 COMPONENTS

12 EMPTY UNITS
 MINIMUM

5.84 MIN
 [.230]

HANDLING DIRECTION

VIEWS FOR 73403-51XX



DETAIL B

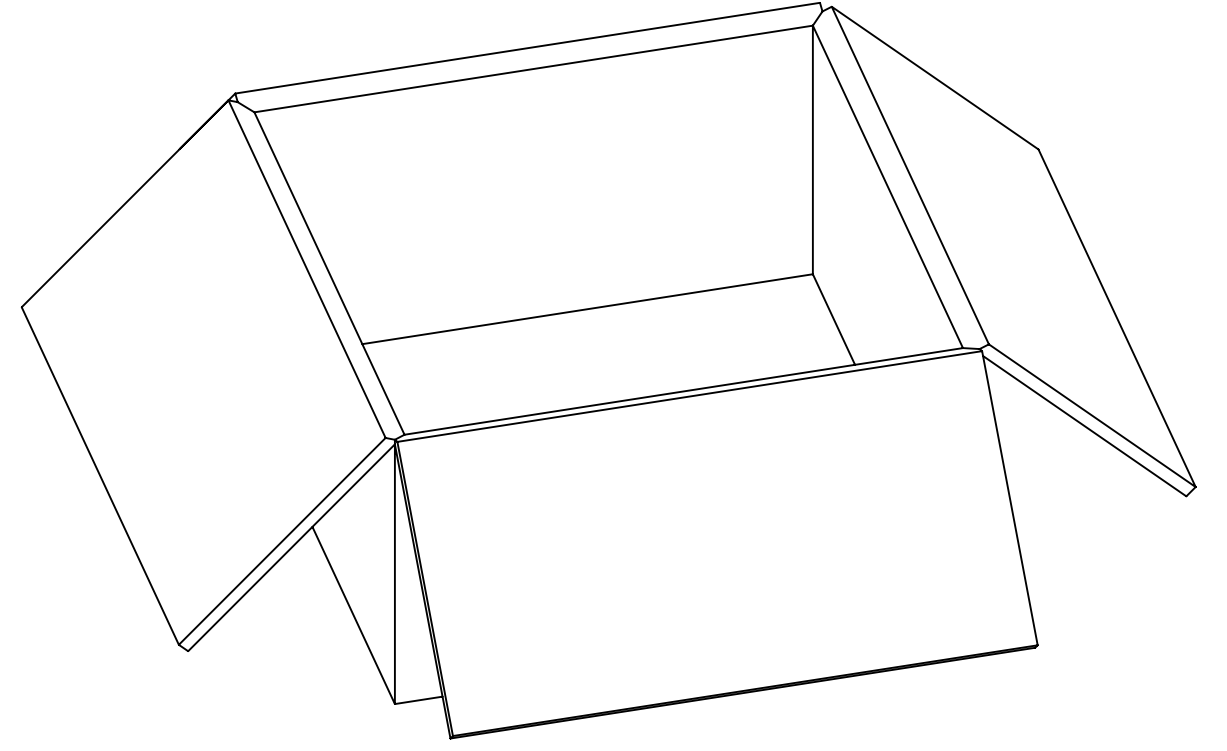
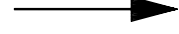
THIS DRAWING CONTAINS INFORMATION THAT IS PROPRIETARY TO MOLEX ELECTRONIC TECHNOLOGIES, LLC AND SHOULD NOT BE USED WITHOUT WRITTEN PERMISSION															
DIMENSION UNITS mm/INCH		SCALE NTS		CURRENT REV DESC: ADD 25.70±0.30 & PACKING SPEC											
GENERAL TOLERANCES (UNLESS SPECIFIED)				STATUS: Production DRWN: Ricky Yeh CHK'D: Joanne Liao APPR: Darry Cheng 2024-04-18 2024-04-24 2024-04-24											
ANGULAR TOL		± 2°													
4 PLACES		±													
3 PLACES		±													
2 PLACES		±													
1 PLACE		±		DOCUMENT NUMBER		DOC TYPE		DOC PART REVISION							
0 PLACES		±		SD-73403-505		PSD		001 A3							
DRAFT WHERE APPLICABLE MUST REMAIN WITHIN DIMENSIONS				THIRD ANGLE PROJECTION		DRAWING		SERIES		MATERIAL NUMBER		CUSTOMER		SHEET NUMBER	
						C-SIZE		73403		SEE TABLE		GENERAL MARKET		4 OF 5	

molex

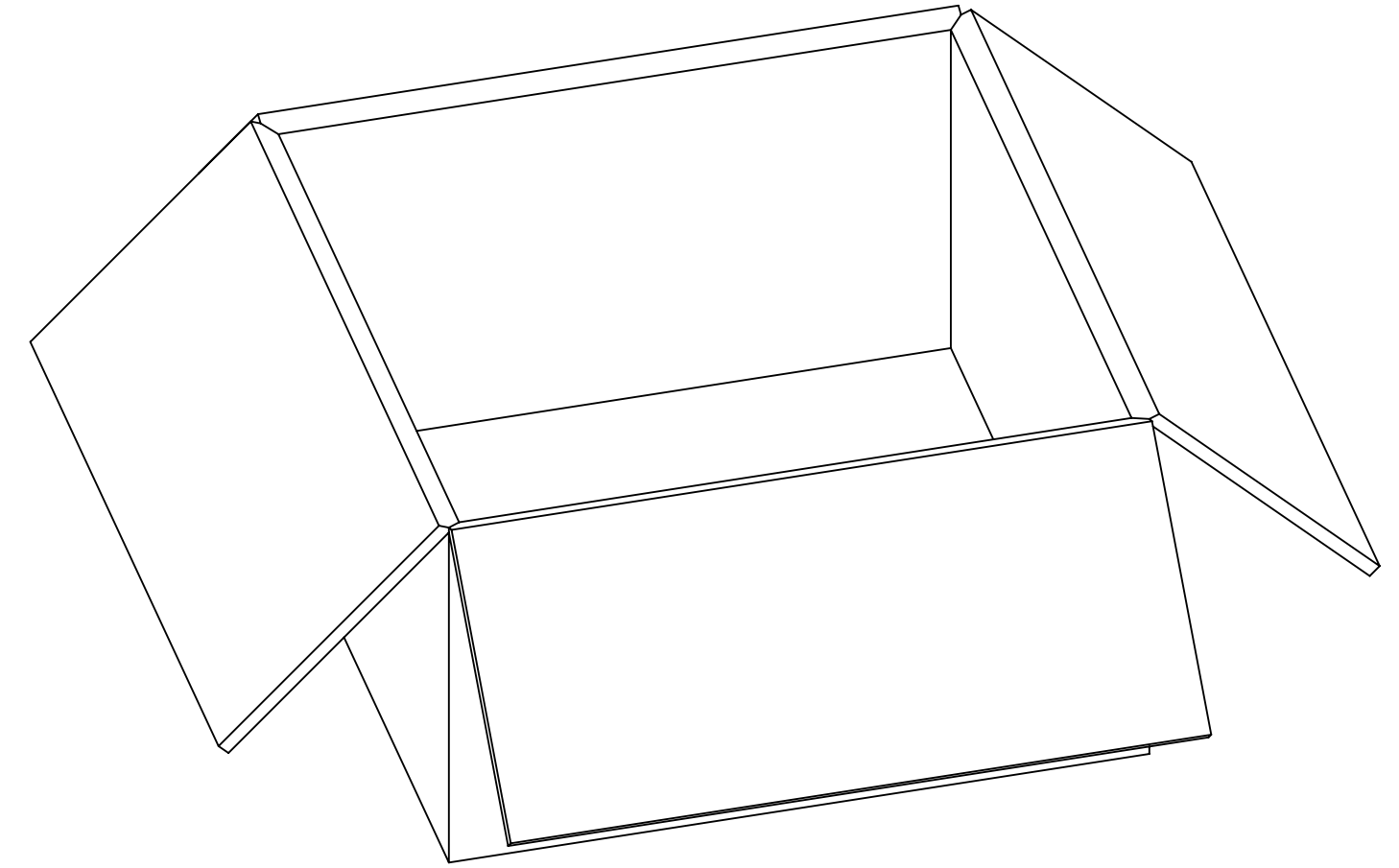
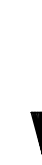
SMB JACK, FAKRA, R/A
 PCB, 50 OHMS SMB-J/PCB

PRODUCT SALES DRAWING

P/N: 73403-51XX
160 PCS PER REEL



4 REEL PER INNER CARTON
P/N: 89499-9028



4 REEL PER OUTER CARTON
P/N: 96708-0005

VIEWS FOR 73403-51XX

THIS DRAWING CONTAINS INFORMATION THAT IS PROPRIETARY TO MOLEX ELECTRONIC TECHNOLOGIES, LLC AND SHOULD NOT BE USED WITHOUT WRITTEN PERMISSION															
DIMENSION UNITS mm/INCH		SCALE NTS		CURRENT REV DESC: ADD 25.70±0.30 & PACKING SPEC				molex							
GENERAL TOLERANCES (UNLESS SPECIFIED)				STATUS: Production DRWN: Ricky Yeh CHK'D: Joanne Liao APPR: Darry Cheng		2024-04-18 2024-04-24 2024-04-24				DOCUMENT NUMBER SD-73403-505		DOC TYPE PSD		DOC PART 001	REVISION A3
ANGULAR TOL ± 2'								MATERIAL NUMBER SEE TABLE				CUSTOMER GENERAL MARKET		SHEET NUMBER 5 OF 5	
4 PLACES ±								DRAWING C-SIZE				SERIES 73403			
3 PLACES ±															
2 PLACES ±															
1 PLACE ±															
0 PLACES ±				THIRD ANGLE PROJECTION 											
DRAFT WHERE APPLICABLE MUST REMAIN WITHIN DIMENSIONS															