



Heyco® Thin Panel Dome Plugs

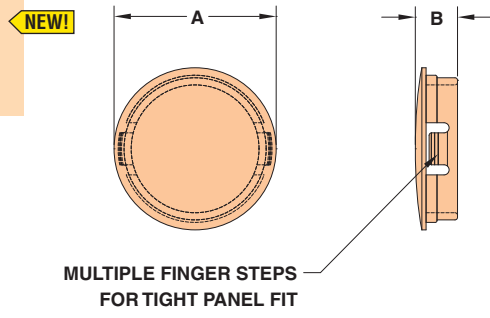
Multiple Locking Steps for Panels as Thin as .020" (0,5 mm)
 Mounting Hole Diameter Range: .218" (5,5 mm) to .875" (22,2 mm)*

PANEL DIMENSIONS				PART NO.		DESCRIPTION	PART DIMENSIONS			
Thickness at Locking Finger Steps		Mounting Hole Diameter*		Black	White		A Head Diameter		B Overall Height	
in.	mm.	in.	mm.			in.	mm.	in.	mm.	
Three Steps to .048" (1,2 mm) thick										
.020 .032 .048	0,5 0,8 1,2	.218	5,5	1654N	1655N	SP 218N	.28	7,1	.25	6,4
		.250	6,4	2607N	2608N	SP 250N	.31	7,9		
		.281	7,1	1660N	1661N	SP 281N	.34	8,7		
		.312	7,9	1678N	1679N	SP 312N	.38	9,5		
		.343	8,7	1663N	1664N	SP 343N	.41	10,3		
		.375	9,5	1681N	1682N	SP 375N	.47	11,9		

Five Steps to .064" (1,6 mm) thick										
.020 .032 .040 .048 .064	0,5 0,8 1,0 1,2 1,6	.500	12,7	1687N	1688N	SP 500N	.56	14,3	.25	6,4
		.512	13,0	1716N	1717N	SP 512N				
		.625	15,9	1690N	1691N	SP 625N				
		.750	19,1	1693N	1694N	SP 750N				
		.875	22,2	1699N	1700N	SP 875N				

Standard color black. Consult Heyco for other colors.
 *Consult Heyco for other Mounting Hole Diameters. Our Axcell Rapid Response Team is ready to meet your requirements.

- Provide a flush, finished fit in panels as thin as .020" (0,5 mm).
- Quick and easy installation.
- Multiple sizes for mounting holes from .218" (5,5 mm) to .875" (22,2 mm).
- Consult Heyco for other Thin Panel Mounting Hole Diameters.
- Lock firmly in panels up to .064" (1,6 mm) thick.



Heyco® Thin Panel versus Shorty Plugs

Choose from Multiple Locking Steps, for the Fit and Finish Your Application Requires

Mounting Hole Diameter	PANEL DIMENSIONS					PART NO.		DESCRIPTION	
	Maximum Thickness Locking Steps inches/millimeters					Black	White		
	in.	mm.	.020 0,5	.032 0,8	.040 1,0	.048 1,2	.064 1,6		
.218	5,5		x				1654N	1655N	SP 218N
								1654	1655
.250	6,4		x				2607N	2608N	SP 250N
								1660N	1661N
.281	7,1		x				1660	1661	SP 281
								1678N	1679N
.312	7,9		x				1678	1679	SP 312
								1663N	1664N
.343	8,7		x				1663	1664	SP 343
								1681N	1682N
.375	9,5		x				1681	1682	SP 375
								1687N	1688N
.500	12,7		x				1687	1688	SP 500
								1690N	1691N
.625	12,7		x				1690	1691	SP 625
								1693N	1694N
.750	19,1		x				1693	1694	SP 750
								1699N	1700N
.875	22,2		x				1699	1700	SP 875

Material: Nylon 6/6
 Certifications: Recognized under the Component Program of Underwriters' Laboratories, File E51579
 Certified by Canadian Standards Association, File 8919
 Flammability Rating: 94V-2
 Temperature Range: -40°F (-40°C) to 221°F (105°C)

Quick Specs

Mouser Electronics

Authorized Distributor

Click to View Pricing, Inventory, Delivery & Lifecycle Information:

[Heyco:](#)

[1690N](#) [1681N](#) [1687N](#) [1678N](#) [1660N](#) [1688N](#) [1693N](#) [1699N](#) [2608N](#) [1700N](#) [1664N](#) [1679N](#) [1694N](#) [1691N](#)
[1661N](#) [1663N](#) [1682N](#) [1654N](#) [2607N](#) [1655N](#) [1717N](#) [1716N](#)