

“Stay Connected” with



Liquid Tight Conduit, Tubing & Fittings

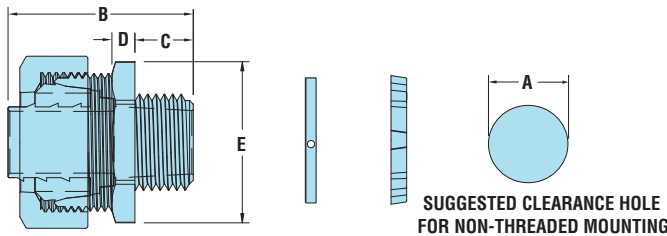
a PennEngineering® Company

Heyco-Flex™ Zinc Die-Cast Liquid Tight Conduit Fittings

For use with Nonmetallic Heyco-Flex™ I Electrical Conduit
Straight-Thru, NPT Hubs



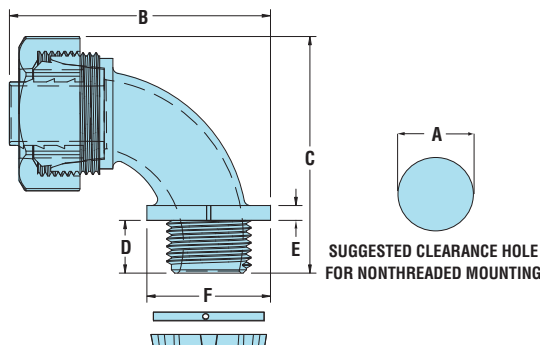
FITS CONDUIT/ TUBING TRADE SIZE	PART NO.	DESCRIPTION	PART DIMENSIONS BODY AND SEALING UNIT									
			A Clearance Hole		B Max. O.A. Length		C Thread Length		D Wrenching Nut Thk.		E Flat Size	
			in.	mm.	in.	mm.	in.	mm.	in.	mm.	in.	mm.
NEW! 3/8	9786	HFC-Z 3/8	.890	22,6	1.27	32,3	.49	12,3	.16	4,1	1.19	30,1
1/2	9794	HFC-Z 1/2	.890	22,6	1.27	32,3	.49	12,3	.16	4,1	1.19	30,1
3/4	9795	HFC-Z 3/4	1.109	28,1	1.37	34,8	.50	12,6	.19	4,7	1.50	38,1
1	9793	HFC-Z 1	1.375	34,9	1.67	42,4	.58	14,7	.16	4,1	1.69	42,9
NEW! 1-1/4	9787	HFC-Z 1-1/4	1.734	44,0	2.06	52,3	.61	15,5	.20	4,1	1.73	44,0
NEW! 1-1/2	9788	HFC-Z 1-1/2	1.984	50,4	2.09	53,0	.63	16,0	.21	5,2	2.20	55,9
NEW! 2	9789	HFC-Z 2	2.469	62,7	2.15	54,6	.63	16,0	.21	5,2	3.03	76,9



- Cost effective die-cast zinc construction provides durability and resists rough environments.
- Liquid Tight when used with Heyco-Flex™ I Liquid Tight Conduit. See Page 2-7.
- Provide smooth connection, no sharp edges to strip wire.
- Suitable for outside, inside, and industrial uses including transformer connections, air conditioning, and heating.
- Suitable for use in both wet and dry location.
- Fit the most common sizes of nonmetallic liquid tight conduit.
- If using a tapped hole, Teflon® tape is needed on the threads of the connector, for all other applications an O-ring and Locknut are needed to attain liquid tight.
- Supplied with locknut and plastic sealing ring.
- DFARS Compliant

90° Sweep, NPT Hubs

FITS CONDUIT/ TUBING TRADE SIZE	PART NO.	DESCRIPTION	PART DIMENSIONS BODY AND SEALING UNIT											
			A Clearance Hole		B Max. O.A. Length		C Max. O.A. Height		D Thread Length		E Wrenching Nut Thk.		F Flat Size	
			in.	mm.	in.	mm.	in.	mm.	in.	mm.	in.	mm.	in.	mm.
NEW! 3/8	9790	HFC-Z 3/8-90	.890	22,6	2.53	76,9	2.11	53,6	.53	13,5	.16	4,1	1.19	30,1
1/2	9796	HFC-Z 1/2-90	.890	22,6	2.46	62,5	2.24	56,9	.53	13,5	.16	4,1	1.19	30,1
NEW! 3/4	9797	HFC-Z 3/4-90	1.109	28,1	2.79	70,9	2.47	62,5	.55	14,0	.19	4,7	1.50	38,1
NEW! 1	9791	HFC-Z 1-90	1.375	34,9	3.86	98,0	3.46	87,9	.58	14,7	.16	4,1	1.69	42,9
NEW! 1-1/4	9792	HFC-Z 1-1/4-90	1.734	44,0	3.99	101,3	3.37	85,6	.67	9,4	.20	4,1	1.73	44,0
NEW! 1-1/2	9798	HFC-Z 1-1/2-90	1.984	50,4	5.04	128,0	4.28	108,7	.61	15,5	.21	5,2	2.20	55,9
NEW! 2	9799	HFC-Z 2-90	2.469	62,7	5.06	128,5	4.21	106,9	.71	18,0	.21	5,4	3.03	76,9



Material
Certifications



Die cast zinc
Listed under UL File E28430

Quick
Specs

Mouser Electronics

Authorized Distributor

Click to View Pricing, Inventory, Delivery & Lifecycle Information:

[Heyco:](#)

[9794](#) [9796](#) [9793](#) [9795](#) [9792](#) [9798](#) [9799](#) [9789](#) [9788](#) [9797](#) [9787](#) [9786](#) [9790](#) [9791](#)