

2-520181-2 ✓ ACTIVE

Ultra-Fast | Ultra-Fast 187

TE Internal #: 2-520181-2

Quick Disconnects, Receptacle, 22 – 18 AWG Wire Size, .32 – .82 mm<sup>2</sup> Wire Size, Mating Tab Width 4.75 mm [.187 in], Straight, Brass, Ultra-Fast 187

[View on TE.com >](#)



Terminals & Splices > Quick Disconnects



Quick Disconnect Terminal Type: **Receptacle**

Wire Size: .32 – .82 mm<sup>2</sup>

Mating Tab Width: 4.75 mm [.187 in]

Mating Tab Thickness: .51 mm [.02 in]

## Features

### Product Type Features

Terminal Features	Wire Stop
Insertion Force	Normal

### Configuration Features

Connection Capacity	Single
Compatible With Wire & Cable Type	Discrete Wire

### Body Features

Insulation Material	Nylon
---------------------	-------

### Contact Features

Quick Disconnect Terminal Type	Receptacle
Mating Tab Width	4.75 mm [.187 in]
Mating Tab Thickness	.51 mm [.02 in]
Terminal Orientation	Straight
Contact Base Material	Brass
Terminal Plating Material	Tin



Crimp Type	F-Crimp
------------	---------

Barrel Type	Closed
-------------	--------

### Termination Features

Product Terminates To	Wire & Cable
-----------------------	--------------

### Mechanical Attachment

Wire Insulation Support	With
-------------------------	------

Mating Retention Type	Dimple
-----------------------	--------

### Dimensions

Terminal Material Thickness	.41 mm[.016 in]
-----------------------------	-----------------

Product Length	21.75 mm[.855 in]
----------------	-------------------

Compatible Insulation Diameter Range	3.43 mm[.135 in]
--------------------------------------	------------------

Wire Size	.32 – .82 mm <sup>2</sup>
-----------	---------------------------

### Usage Conditions

Insulation Option	Fully Insulated
-------------------	-----------------

Operating Temperature Range	-40 – 110 °C[-40 – 230 °F]
-----------------------------	----------------------------

### Industry Standards

Compatible With Agency/Standards Products	UL
---	----

UL Flammability Rating	UL 94V-2
------------------------	----------

### Packaging Features

Packaging Quantity	2700
--------------------	------

Packaging Method	Strip/Reel
------------------	------------

### Other

Barrel Color	Red
--------------	-----

### Product Compliance

[For compliance documentation, visit the product page on TE.com>](#)

EU RoHS Directive 2011/65/EU	Compliant
------------------------------	-----------

EU ELV Directive 2000/53/EC	Compliant
-----------------------------	-----------

China RoHS 2 Directive MIIT Order No 32, 2016	No Restricted Materials Above Threshold
---	---

EU REACH Regulation (EC) No. 1907/2006	Current ECHA Candidate List: JUNE 2024 (241) Candidate List Declared Against: JAN 2024 (240)
--	---



Does not contain REACH SVHC

Halogen Content

Low Halogen - Br, Cl, F, I < 900 ppm per homogenous material. Also BFR/CFR/PVC Free

Solder Process Capability

Not applicable for solder process capability

Product Compliance Disclaimer

This information is provided based on reasonable inquiry of our suppliers and represents our current actual knowledge based on the information they provided. This information is subject to change. The part numbers that TE has identified as EU RoHS compliant have a maximum concentration of 0.1% by weight in homogenous materials for lead, hexavalent chromium, mercury, PBB, PBDE, DBP, BBP, DEHP, DIBP, and 0.01% for cadmium, or qualify for an exemption to these limits as defined in the Annexes of Directive 2011/65/EU (RoHS2). Finished electrical and electronic equipment products will be CE marked as required by Directive 2011/65/EU. Components may not be CE marked. Additionally, the part numbers that TE has identified as EU ELV compliant have a maximum concentration of 0.1% by weight in homogenous materials for lead, hexavalent chromium, and mercury, and 0.01% for cadmium, or qualify for an exemption to these limits as defined in the Annexes of Directive 2000/53/EC (ELV). Regarding the REACH Regulation, the information TE provides on SVHC in articles for this part number is based on the latest European Chemicals Agency (ECHA) 'Guidance on requirements for substances in articles' posted at this URL: <https://echa.europa.eu/guidance-documents/guidance-on-reach>

## Compatible Parts

TE Part # 58628-1  
PROCrimp T&D 26-14 ULTRAFast

TE Part # 90390-3  
DIEs ULTRAFast FASTON 22-18 DIE SET

TE Part # 58628-2  
PROCrimp DIESET 26-14 ULTRAFast

TE Part # 2151034-2  
OCEAN\_2.0 APPLICATOR-S-1760-SSA

**KIT**  
REPRESENTATION ONLY

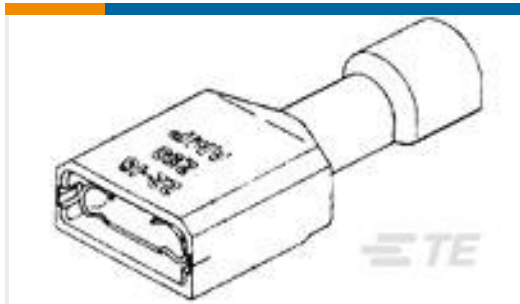
TE Part # 7-2151034-7  
OCEAN\_2.0 SPARE PART KIT-1760

Also in the Series | [Ultra-Fast 187](#)

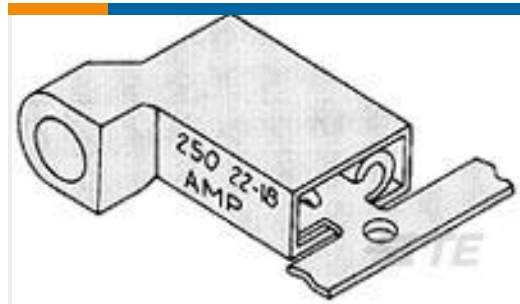


Quick Disconnects(47)

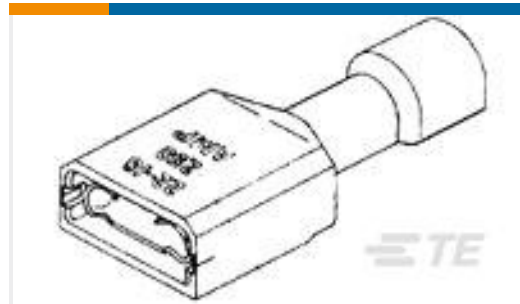
## Customers Also Bought



TE Part #3-520150-2  
ULTRA-FAST 187 ASY REC 16-14 AWG TPBR



TE Part #3-520132-2  
ULTRAFast 250 ASSY FLAG REC 16-14 TPBR



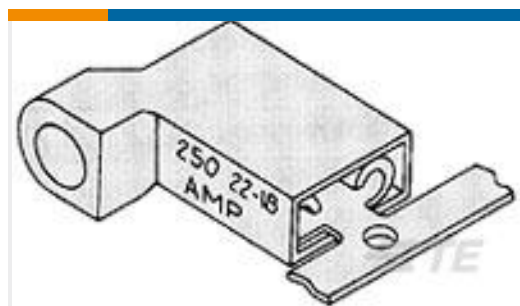
TE Part #3-520140-2  
ULTRA-FAST 250 ASY REC 16-14 AWG TPBR



TE Part #2-520261-2  
ULTRA-FAST 187 ASY REC 22-18 TPBR



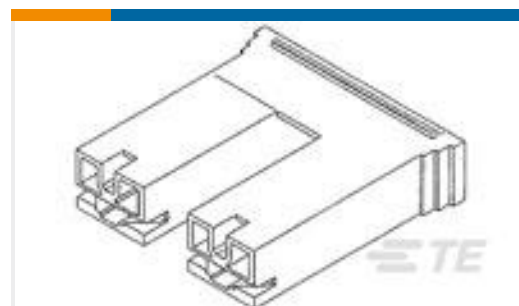
TE Part #2-520128-2  
ULTRA-FAST 250 ASY REC 22-18 AWG TPBR



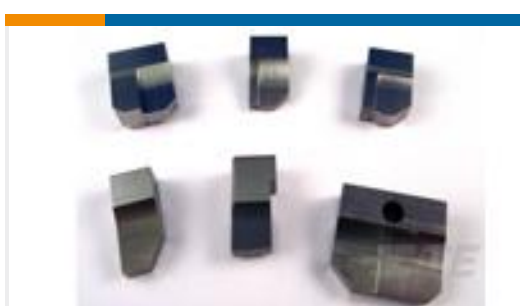
TE Part #2-520334-2  
ULTRAFast 187 ASSY FLAG REC 22-18 TPBR



TE Part #2-520263-2  
ULTRA-FAST 250 ASY REC 22-18 TPBR



TE Part #520935-1  
PLMKII&FASTON 250 REC HSG 2P NAT



TE Part #8-683403-5  
ANVIL, COMBINATION



TE Part #3-647449-1  
SL156 RCPT, SPCL LUBE, LF

## Documents

### Product Drawings

[ULTRA-FAST 187 ASY REC 22-18 AWG TPBR](#)

English

### CAD Files

[3D PDF](#)

[3D](#)

### Customer View Model

[ENG\\_CVM\\_CVM\\_2-520181-2\\_AD\\_c-2-520181-2-ad.2d\\_dxf.zip](#)



English

**Customer View Model**

[ENG\\_CVM\\_CVM\\_2-520181-2\\_AD\\_c-2-520181-2-ad.3d\\_igs.zip](#)

English

**Customer View Model**

[ENG\\_CVM\\_CVM\\_2-520181-2\\_AD\\_c-2-520181-2-ad.3d\\_stp.zip](#)

English

By downloading the CAD file I accept and agree to the [Terms and Conditions](#) of use.

---

**Datasheets & Catalog Pages**

**Ultra-Fast and Ultra Fast Plus**

English

---

**Product Specifications**

**Application Specification**

English

**Application Specification**

English

---

**Agency Approvals**

**Agency Approval Document**

English