

KLUCZ / PN KEY ENGINEERING PN

E 4 5 1 X X X X X X X X X X

E - Packing without bag
W - Single Packing

Number of wires:
1 - 2 Wires

Cable type:
See Table

Head Colour:
G - Grey
N - Black
A - CSA-UL Black
B - CSA-UL Grey

Cable Length in[cm]
050 = 50cm
300 = 300cm
10K = 1000cm

Wiring Configuration:
See sheet 3

Voltage and LED Colour

Red LED
1 = 12V
2 = 24V
3 = 48V
4 = 115V
5 = 230V

Green LED
A = 12V
B = 24V
C = 48V
D = 115V
E = 230V

Yellow Led
G = 12V
H = 24V
K = 48V
L = 115V
M = 230V

Earth PIN location (see insert orientation table):
1 = Double Earth on H6 & H12
2 = Earth on H12
3 = Earth on H3
4 = Double Earth on H3 & H9
6 = Earth on H6
9 = Earth on H9

Type of Gasket and Screw (see sheet 1):

- 1 = NBR Profile Gasket + Fixing Screw M3x25mm
- 2 = NBR Flat Gasket + Fixing Screw M3x25mm
- 3 = Silicone Profile Gasket + Fixing Screw M3x25mm
- 4 = Silicone Flat Gasket + Fixing Screw M3x25mm
- P = NBR Integrated Gasket + Fixing Screw with Washer M3x27mm Assembled on Connector
- R = NBR Integrated Gasket + Fixing Screw with Washer M3x27mm NOT Assembled on Connector
- T = NBR Profile Gasket + Fixing Screw with Washer M3x27mm

CABLE LIST

CABLE TYPE	NO. OF WIRES	CROSS SECTION	CABLE O.D.	CABLE JACKET	KOLORY PRZEWODÓW WIRES COLOR	SHIELD
A2	2	AWG 20	5.4mm±0.2	PVC BLACK	BN, BU	-
A3	2	AWG 18	6.2mm±0.25	PVC BLACK	BN, BU	-
B2	2	AWG 20	5.6mm±0.2	PUR BLACK	BN, BU	-
B3	2	AWG 18	6.2mm±0.2	PUR BLACK	BN, BU	-
I2	2	0.5mm ²	5.5mm+0.3	PVC GREY	BN, BU	-
I3	2	0.75mm ²	5.5mm±0.2	PVC GREY	BK1,BK2	-
I4	2	1mm ²	7.1mm±0.2	PVC GREY	BN, BU	-
N2	2	0.5mm ²	5.25mm±0.65	PVC BLACK	BN, BU	-
N3	2	0.75mm ²	6.45mm±0.75	PVC BLACK	BN, BU	-
N4	2	1mm ²	6.45mm±0.75	PVC BLACK	BN, BU	-
P2	2	0.5mm ²	5.5mm+0.2	PUR BLACK	BN, BU	-
P3	2	0.75mm ²	6.5mm±0.2	PUR BLACK	BN, BU	-
W2	2	0.5mm ²	~5.2mm	WSOR BLACK	BN, BU	-
W3	2	0.75mm ²	~6.0mm	WSOR BLACK	BN, BU	-

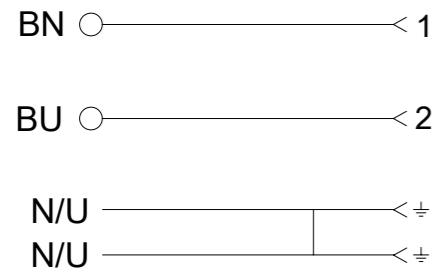
Notes:

- Please see excel sheet 1210504000_PDP for currently configured part numbers.
- Drawing is a replacement for: SD-121050-004

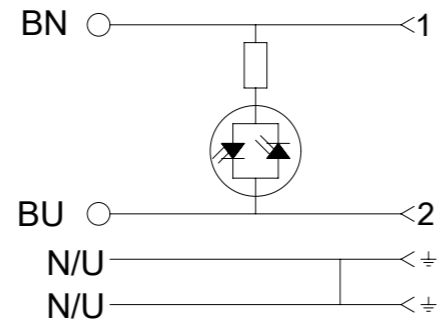
SYMBOLS	THIS DRAWING CONTAINS INFORMATION THAT IS PROPRIETARY TO MOLEX ELECTRONIC TECHNOLOGIES, LLC AND SHOULD NOT BE USED WITHOUT WRITTEN PERMISSION		CURRENT REV DESC:			molex		
	DIMENSION UNITS	SCALE						
	mm	1:1	EC NO: 791448			DOCUMENT NUMBER		
	GENERAL TOLERANCES (UNLESS SPECIFIED)		DRWN: MARCIM6 2024/06/28			1210504000		
ANGULAR TOL ± 1.0°		CHK'D: RSILLER 2024/07/04			DOC TYPE DOC PART REVISION			
4 PLACES ±		APPR: RSILLER 2024/07/04			PSD 000 A1			
3 PLACES ±		INITIAL REVISION:			MATERIAL NUMBER			
2 PLACES ± 0.05		DRWN: SSM 2019/06/04			CUSTOMER			
1 PLACE ± 0.3		APPR: RSILLER 2019/06/28			GENERAL MARKET			
0 PLACES ± 0.5		THIRD ANGLE PROJECTION		DRAWING	SERIES	SHEET NUMBER		
DRAFT WHERE APPLICABLE MUST REMAIN WITHIN DIMENSIONS		A3-SIZE		121050	2 OF 3			

WIRING DIAGRAMS

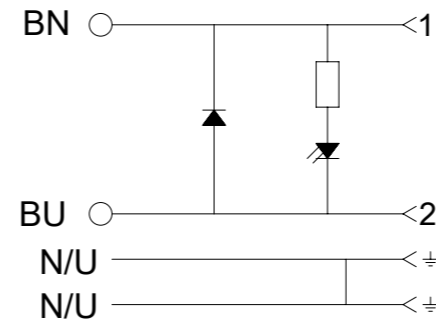
ELECTRICAL DIAGRAM 00
WITHOUT LED



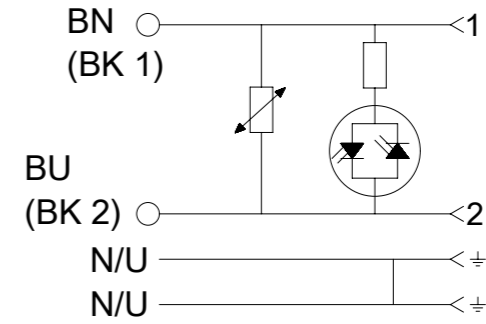
ELECTRICAL DIAGRAM A1



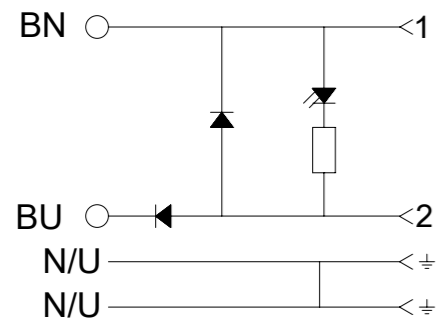
ELECTRICAL DIAGRAM C3



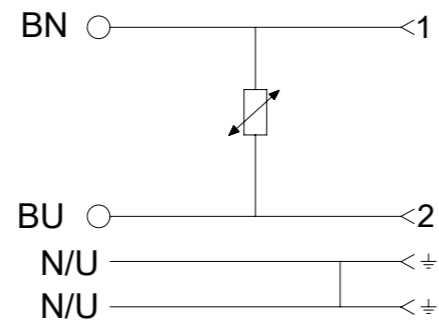
ELECTRICAL DIAGRAM C4



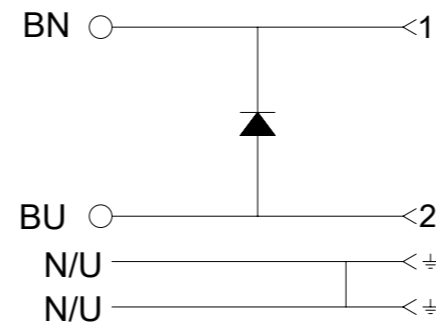
ELECTRICAL DIAGRAM C7



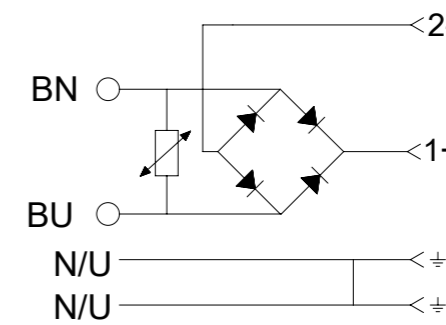
ELECTRICAL DIAGRAM D0



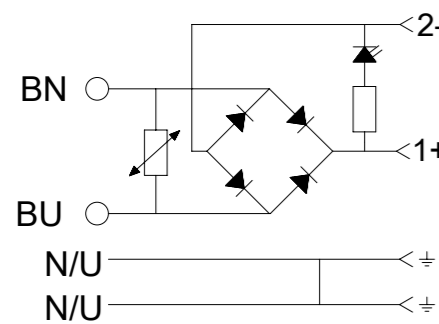
ELECTRICAL DIAGRAM E0



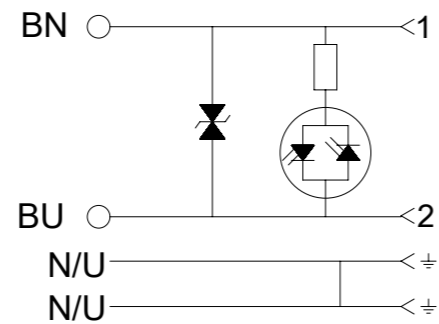
ELECTRICAL DIAGRAM R0



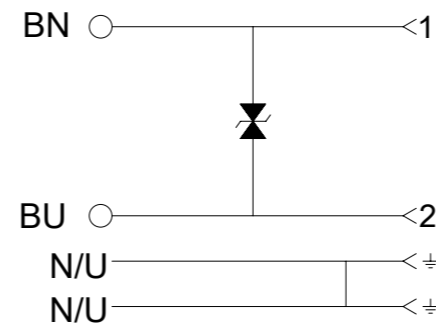
ELECTRICAL DIAGRAM R2



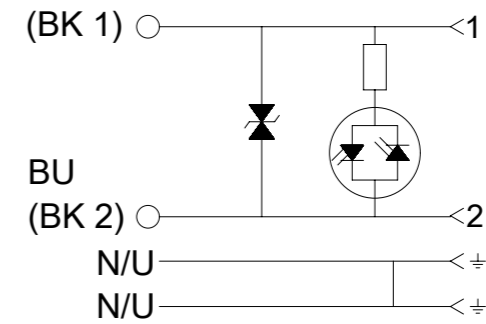
ELECTRICAL DIAGRAM S0



ELECTRICAL DIAGRAM S1



ELECTRICAL DIAGRAM S3



SYMBOLS	THIS DRAWING CONTAINS INFORMATION THAT IS PROPRIETARY TO MOLEX ELECTRONIC TECHNOLOGIES, LLC AND SHOULD NOT BE USED WITHOUT WRITTEN PERMISSION		CURRENT REV DESC:				
	DIMENSION UNITS	SCALE					
▽ = 0	mm	1:1	EC NO: 791448		DOCUMENT NUMBER		
▽ = 0	GENERAL TOLERANCES (UNLESS SPECIFIED)		DRWN: MARCIM6 2024/06/28		1210504000		
▽ = 0	ANGULAR TOL ± 1.0°		CHK'D: RSILLER 2024/07/04		DOC TYPE DOC PART REVISION		
▽ = 0	4 PLACES ±		APPR: RSILLER 2024/07/04		PSD 000 A1		
▽ = 0	3 PLACES ±		INITIAL REVISION:		MATERIAL NUMBER CUSTOMER SHEET NUMBER		
▽ = 0	2 PLACES ± 0.05		DRWN: SSM 2019/06/04		SEE 1210504000_PDP GENERAL MARKET 3 OF 3		
▽ = 0	1 PLACE ± 0.3		APPR: RSILLER 2019/06/28				
▽ = 0	0 PLACES ± 0.5		DRAFT WHERE APPLICABLE MUST REMAIN WITHIN DIMENSIONS				
■ = 0	THIRD ANGLE PROJECTION		DRAWING				
▽ = 0	A3-SIZE		SERIES				