

Data sheet

PR043xxVBBN Type 189

Page 1/6

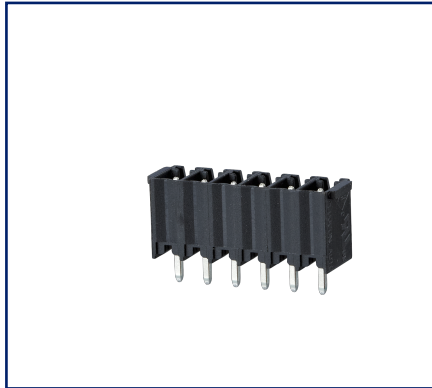
P/N
311891xx

xx=number of poles

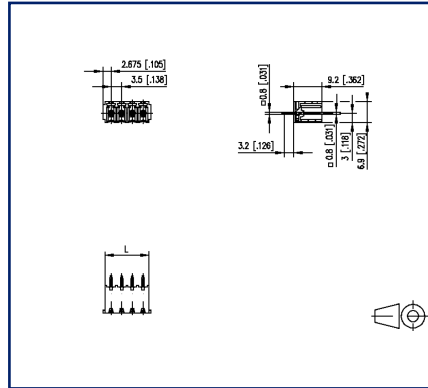
2023/06/26

Version: Y

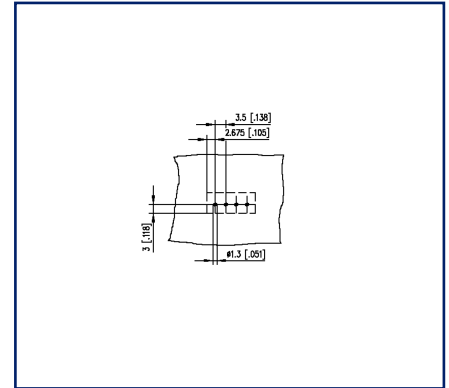
Illustrations



Dimensional drawing



Drill pattern



See enlarged drawings at the end of document

Product specification

- pin header, THR solderable
- centerline 3.50 mm, direction of connection vertical 0°
- closed ends
- color black
- Tape & Reel packaging possible
- codeable





Technical Data

General Data

Solder pin length	3.2 mm		
min. number of poles	2		
max. number of poles	16		
Insulating material class	CTI 600		
clearance/creepage dist.	2.7 mm		
Protection category	IP00		
Rated current	10 A		
Overvoltage category	III	III	II
Pollution degree	3	2	2
Rated voltage	200 V	500 V	500 V
Rated test voltage	2.5 kV	2.5 kV	2.5 kV

Approvals

 V / A	300 / 10
approval UL - File No.	E121004
 1.5 mm ²	130 V / 2.5 kV / 10 A / 0.8 x 0.8 mm

Material

insulating material	PA66/6T
flammability class	V0
contact pin material	CuMg
contact pin surface	Ni + Sn
Glow-Wire Flammability GWFI	960 °C acc. to IEC 60695-2-12
Glow-Wire Flammability GWIT	775 °C acc. to IEC 60695-2-13

Climatic Data

upper limit temperature	105 °C
lower limit temperature	-40 °C

general

Tolerance	ISO 2768 -mH
Solderability	reflowable

U | Contact

Data sheet
PR043xxVBBN Type 189

Page 3/6

P/N
311891xx

xx=number of poles

2023/06/26

Version: Y

Accessories

P/N	Designation
720293-01-2	Coding Star for pin header, centerline 3.81 mm



U | Contact

Data sheet
PR043xxVBBN Type 189

Page 4/6

P/N
311891xx

xx=number of poles

2023/06/26

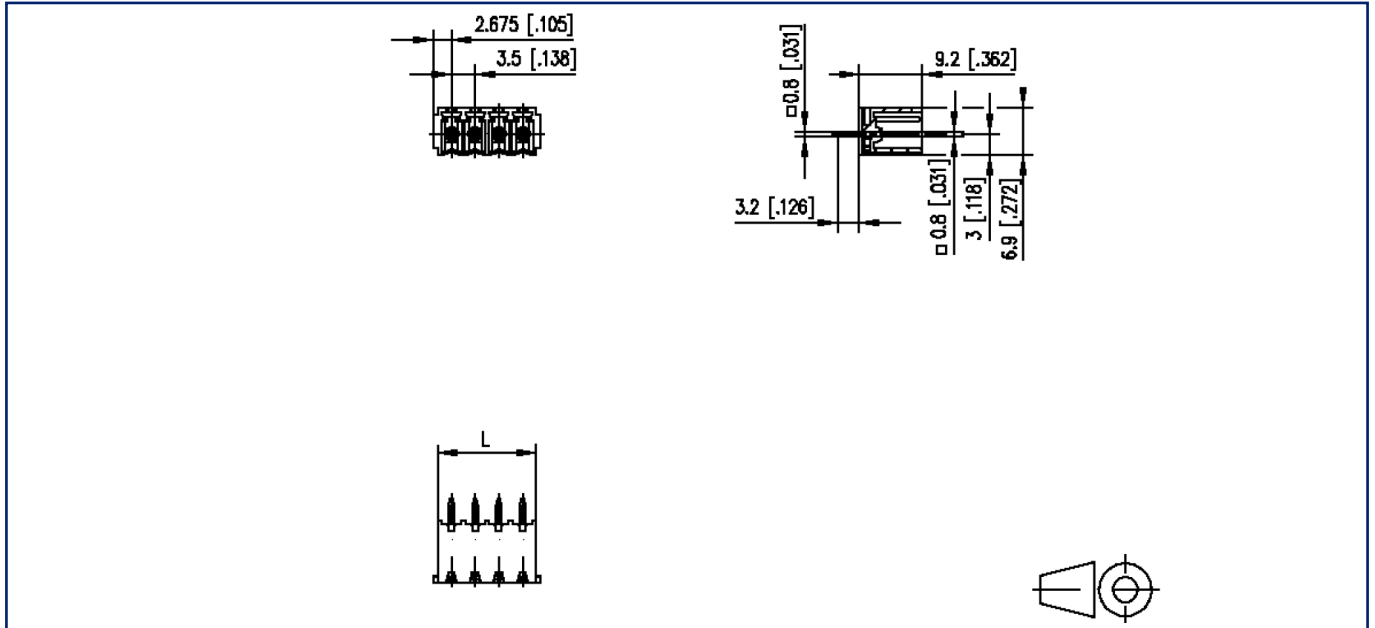
Version: Y

Counterpart of

P/N	Designation
310891	FT143xxVBFC Type 089
313391	RP033xxVBLC Type 339
316131	RP043xxHBLD Typ 613
316141	RP043xxHBLC Typ 614
ASP043	SP043xxVBNN ASP043
ASP063	SP063xxVGNN ASP063

Illustrations

Dimensional drawing



$L = (\text{pole size} - 1) \times \text{centerline} + 5.35 \text{ mm} [0.211]$

Illustrations

Drill pattern

