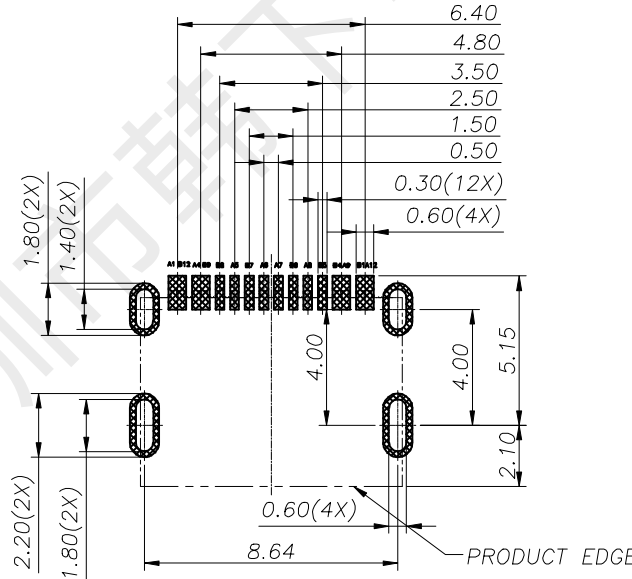
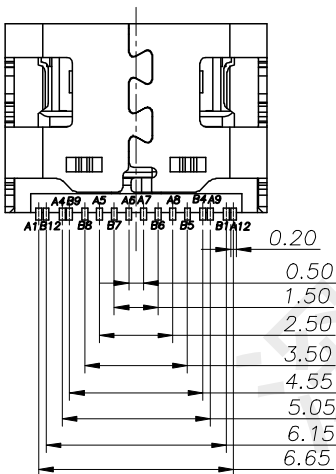
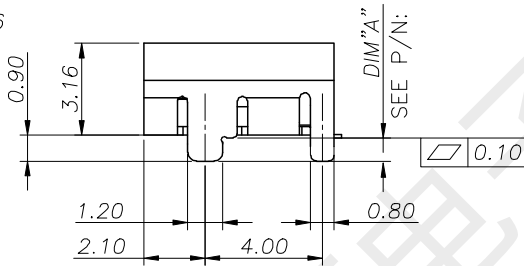
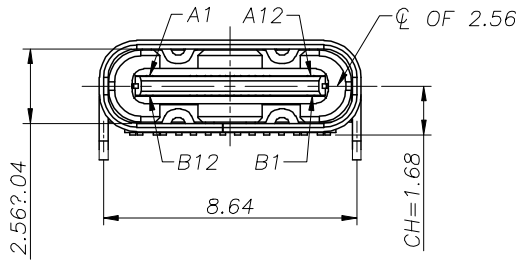
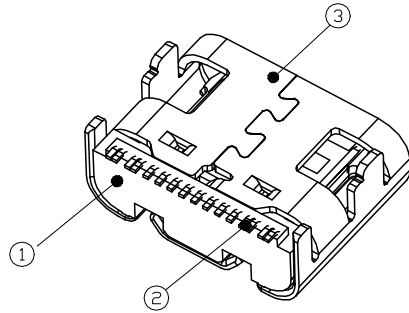
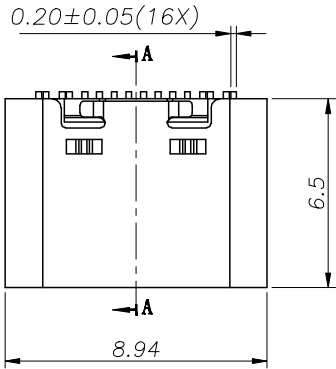


REV.	ECN NO.	DESCRIPTION	DATE	DESIGN



RECOMMENDED PCB LAYOUT(TOP VIEW)
THICKNESS 0.60MM;DEFAULT TOLERANCE:±0.05

规格说明 Specifications:

1. 电气特性 Electrical:

- 额定电压(Rated voltage): 20V DC
- 额定电流(Rated current): 3A VBUS引脚;
1.25A用于GND引脚, 其他引脚为0.25A.
- 接触电阻(Contact resistance): 40mΩ Max
- 测试条件: 20mv, 100mA下测量.
- 绝缘电阻(Insulation resistance): 100MΩ Min
- 耐电压(Withstand Voltage): 100V AC

2. 机械性能 Mechanical:

- 插入力(Mate force): 0.5-2.0Kg
- 拔出力(Unmate force): 0.6-2.0Kg
- 插拔次数(Durability): 5000 Cycles.

3. 材料 Material:

- 胶芯(Housing): LCP UL94 V-0
- 端子(Contact): C2680, T=0.2mm; 镍底, 镀金
- 外壳(Shell): 不锈钢201-H 表面镀镍

4. 温度范围(Temperature Range): -30°C to +80°C

TOLERANCE		NAME(INTENDED USE) CUSTOMER DRAWING	深圳市韩下电子有限公司 HANXIA		
X.X ±0.30	X.' ±10'	PART NO.	TITLE:		
.XX ±0.20	.X' ± 8'	HX TYPE-C 16P SMT-L6.5	TYPE-C		
.XXX ±0.10	.XX' ± 5'	DESIGN: 黄彬	DRAWG NO.		
UNITS	mm	CHED: 张伟	SCALE SHEET REV.		
MATERILA		APPD: 罗小春	SCALE SHEET REV.		
FINISH			SCALE SHEET REV.		