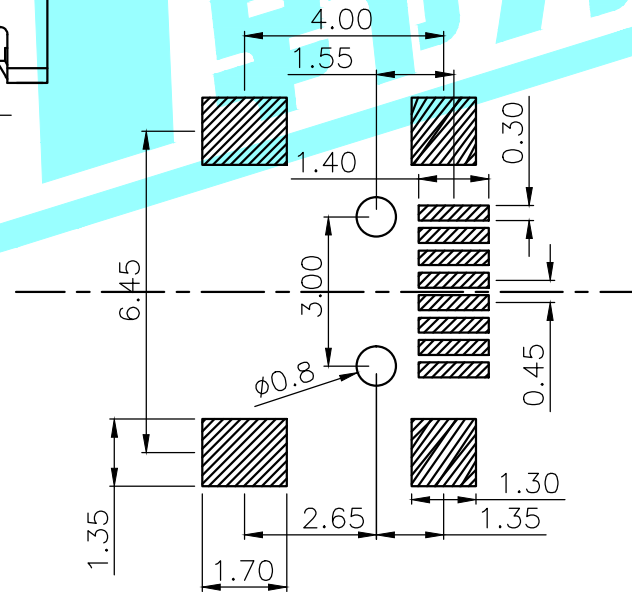
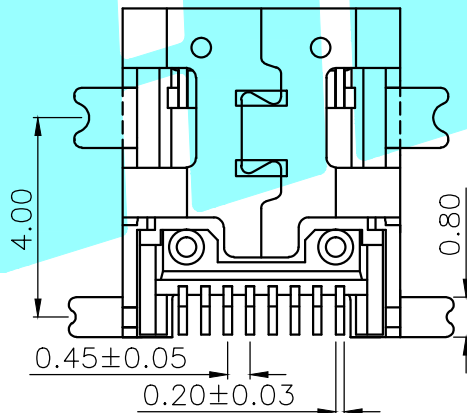
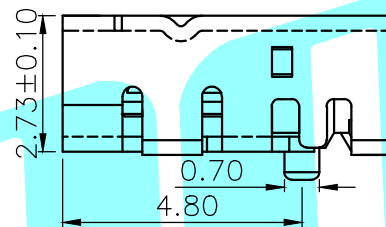
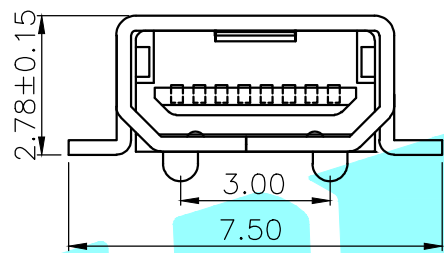
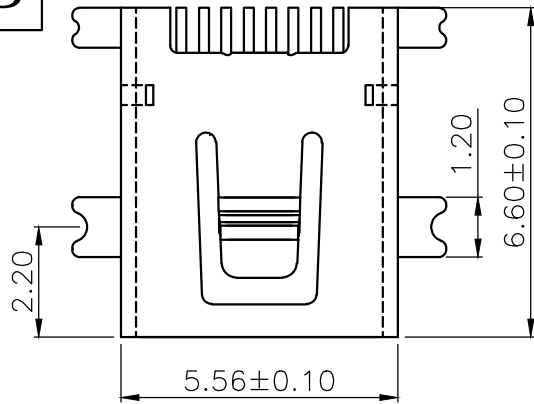


ROHS



NOTE:

Electrical:

- 1.Current Rating: 1.0A/contact terminal
- 2.Voltage Rating: 30V DC
- 3.Contact Resistance: 50 milliohms MAX
- 4.Dielectric Withstanding Voltage: 300V AC at Sea Level
- 5.Insulation Resistance: 100MEGA ohms MIN

Raw material:

- 1.Plastic cement: Hing Temperature Thermoplastics, LCP Black
- 2.Contact: Copper Alloy C5191
- 3.Shell: Copper Alloy C2680

Electroplate:

- 1.Contact: Plated Gold in Mating Area, Tin On Solder Talls
- 2.Shell: Nickel Plating

APPROVALS		DATE	 ELECTRONICS CO.,LTD					
DRAWN	LIUCAN	2021.2.24						
CHECKED			TITLE:	USB CONNECTOR				
APPROVALS			PART NO.	U-M-M8SS-W-1				
TOLERANCES ARE	30~以上	±0.30	ANGLE	UNIT: mm	SCALE: 1:1	PROJ:		
	10~30	±0.25						
	5~10	±0.20						
	~ 5	±0.15						
ECN NO.	REV.	DATE.	DESCRIPTION.	CHANGE.	CHECK.	APPRO.	DRAWING NO.	SHEET 1 OF 1

	A		NEW			
ECN NO.	REV.	DATE.	DESCRIPTION.	CHANGE.	CHECK.	APPRO.