

**GigaDevice Semiconductor Inc.**

**GD32F425xx**

**Arm<sup>®</sup> Cortex<sup>®</sup>-M4 32-bit MCU**

Datasheet

## Table of Contents

<b>Table of Contents</b> .....	<b>1</b>
<b>List of Figures</b> .....	<b>4</b>
<b>List of Tables</b> .....	<b>5</b>
<b>1. General description</b> .....	<b>7</b>
<b>2. Device overview</b> .....	<b>8</b>
<b>2.1. Device information</b> .....	<b>8</b>
<b>2.2. Block diagram</b> .....	<b>9</b>
<b>2.3. Pinouts and pin assignment</b> .....	<b>10</b>
<b>2.4. Memory map</b> .....	<b>13</b>
<b>2.5. Clock tree</b> .....	<b>16</b>
<b>2.6. Pin definitions</b> .....	<b>17</b>
2.6.1. GD32F425Zx LQFP144 pin definitions .....	17
2.6.2. GD32F425Vx LQFP100 pin definitions .....	25
2.6.3. GD32F425Vx BGA100 pin definitions.....	31
2.6.4. GD32F425Rx LQFP64 pin definitions.....	38
2.6.5. GD32F425xx pin alternate functions.....	0
<b>3. Functional description</b> .....	<b>7</b>
<b>3.1. Arm® Cortex®-M4 core</b> .....	<b>7</b>
<b>3.2. On-chip memory</b> .....	<b>7</b>
<b>3.3. Clock, reset and supply management</b> .....	<b>8</b>
<b>3.4. Boot modes</b> .....	<b>8</b>
<b>3.5. Power saving modes</b> .....	<b>9</b>
<b>3.6. Analog to digital converter (ADC)</b> .....	<b>9</b>
<b>3.7. Digital to analog converter (DAC)</b> .....	<b>10</b>
<b>3.8. DMA</b> .....	<b>10</b>
<b>3.9. General-purpose inputs/outputs (GPIOs)</b> .....	<b>11</b>
<b>3.10. Timers and PWM generation</b> .....	<b>11</b>
<b>3.11. Real time clock (RTC) and backup registers</b> .....	<b>12</b>
<b>3.12. Inter-integrated circuit (I2C)</b> .....	<b>13</b>
<b>3.13. Serial peripheral interface (SPI)</b> .....	<b>13</b>
<b>3.14. Universal synchronous/asynchronous receiver transmitter (USART/UART)</b>	

	<b>13</b>	
3.15.	Inter-IC sound (I2S) .....	14
3.16.	Universal serial bus full-speed interface (USBFS).....	14
3.17.	Universal serial bus high-speed interface (USBHS) .....	14
3.18.	Controller area network (CAN) .....	15
3.19.	Secure digital input and output card interface (SDIO).....	15
3.20.	Digital camera interface (DCI) .....	15
3.21.	Debug mode .....	15
3.22.	Package and operation temperature.....	16
<b>4.</b>	<b>Electrical characteristics .....</b>	<b>17</b>
4.1.	Absolute maximum ratings.....	17
4.2.	Operating conditions characteristics.....	17
4.3.	Power consumption .....	19
4.4.	EMC characteristics .....	25
4.5.	Power supply supervisor characteristics .....	26
4.6.	Electrical sensitivity .....	27
4.7.	External clock characteristics .....	28
4.8.	Internal clock characteristics .....	30
4.9.	PLL characteristics.....	31
4.10.	Memory characteristics .....	33
4.11.	NRST pin characteristics .....	33
4.12.	GPIO characteristics .....	34
4.13.	ADC characteristics .....	37
4.14.	Temperature sensor characteristics .....	38
4.15.	DAC characteristics .....	38
4.16.	I2C characteristics .....	39
4.17.	SPI characteristics .....	41
4.18.	I2S characteristics .....	43
4.19.	USART characteristics.....	45
4.20.	SDIO characteristics .....	45
4.21.	CAN characteristics .....	45
4.22.	USBFS characteristics.....	46

---

4.23.	USBHS characteristics .....	47
4.24.	TIMER characteristics.....	47
4.25.	DCI characteristics.....	48
4.26.	WDGT characteristics .....	48
4.27.	Parameter conditions.....	48
5.	Package information.....	49
5.1.	LQFP144 package outline dimensions .....	49
5.2.	BGA100 package outline dimensions .....	51
5.3.	LQFP100 package outline dimensions .....	53
5.4.	LQFP64 package outline dimensions .....	55
5.5.	Thermal characteristics .....	57
6.	Ordering information .....	59
7.	Revision history .....	60

## List of Figures

Figure 2-1. GD32F425xx block diagram .....	9
Figure 2-2. GD32F425Vx BGA100 pinouts .....	10
Figure 2-3. GD32F425Zx LQFP144 pinouts .....	11
Figure 2-4. GD32F425Vx LQFP100 pinouts .....	12
Figure 2-5. GD32F425Rx LQFP64 pinouts .....	12
Figure 2-6. GD32F425xx clock tree .....	16
Figure 4-1. Recommended power supply decoupling capacitors <sup>(1) (2)</sup> .....	18
Figure 4-2. Typical supply current consumption in Run mode .....	24
Figure 4-3. Typical supply current consumption in Sleep mode .....	25
Figure 4-4. Recommended PDR_ON pin circuit .....	27
Figure 4-5. Recommended external NRST pin circuit .....	34
Figure 4-6. I2C bus timing diagram .....	39
Figure 4-7. SPI timing diagram - master mode .....	41
Figure 4-8. SPI timing diagram - slave mode .....	42
Figure 4-9. I2S timing diagram - master mode .....	44
Figure 4-10. I2S timing diagram - slave mode .....	44
Figure 4-11. USBFS timings: definition of data signal rise and fall time .....	46
Figure 5-1. LQFP144 package outline .....	49
Figure 5-2. LQFP144 recommended footprint .....	50
Figure 5-3. BGA100 package outline .....	51
Figure 5-4. BGA100 recommended footprint .....	52
Figure 5-5. LQFP100 package outline .....	53
Figure 5-6. LQFP100 recommended footprint .....	54

## List of Tables

Table 2-1. GD32F425xx devices features and peripheral list .....	8
Table 2-2. GD32F425xx memory map .....	13
Table 2-3. GD32F425Zx LQFP144 pin definitions .....	17
Table 2-4. GD32F425Vx LQFP100 pin definitions .....	25
Table 2-5. GD32F425Vx BGA100 pin definitions.....	31
Table 2-6. GD32F425Rx LQFP64 pin definitions .....	38
Table 2-7. Port A alternate functions summary .....	0
Table 2-8. Port B alternate functions summary .....	1
Table 2-9. Port C alternate functions summary .....	2
Table 2-10. Port D alternate functions summary .....	3
Table 2-11. Port E alternate functions summary .....	4
Table 2-12. Port F alternate functions summary.....	5
Table 2-13. Port G alternate functions summary .....	5
Table 2-14. Port H alternate functions summary .....	6
Table 4-1. Absolute maximum ratings <sup>(1)(4)</sup> .....	17
Table 4-2. DC operating conditions.....	17
Table 4-3. Clock frequency <sup>(1)</sup> .....	18
Table 4-4. Operating conditions at Power up / Power down <sup>(1)</sup> .....	18
Table 4-5. Start-up timings of Operating conditions <sup>(1)(2)(3)</sup> .....	18
Table 4-6. Power saving mode wakeup timings characteristics <sup>(1)(2)</sup> .....	19
Table 4-7. Power consumption characteristics <sup>(2)(3)(4)(5)</sup> .....	19
Table 4-8. EMS characteristics <sup>(1)</sup> .....	25
Table 4-10. EMI characteristics <sup>(1)</sup> .....	26
Table 4-9. Power supply supervisor characteristics .....	26
Table 4-10. ESD characteristics <sup>(1)</sup> .....	27
Table 4-11. Static latch-up characteristics <sup>(1)</sup> .....	28
Table 4-12. High speed external clock (HXTAL) generated from a crystal/ceramic characteristics.....	28
Table 4-13. High speed external clock characteristics (HXTAL in bypass mode).....	28
Table 4-14. Low speed external clock (LXTAL) generated from a crystal/ceramic characteristics .....	28
Table 4-15. Low speed external user clock characteristics (LXTAL in bypass mode) .....	29
Table 4-16. High speed internal clock (IRC16M) characteristics.....	30
Table 4-17. High speed internal clock (IRC48M) characteristics.....	30
Table 4-18. Low speed internal clock (IRC32K) characteristics.....	31
Table 4-19. PLL characteristics .....	31
Table 4-20. PLLI2S characteristics .....	31
Table 4-21. PLLSAI characteristics .....	32
Table 4-22. PLL spread spectrum clock generation (SSCG) characteristics.....	32
Table 4-23. Flash memory characteristics.....	33
Table 4-24. NRST pin characteristics.....	33

Table 4-25. I/O port DC characteristics <sup>(1)(3)</sup> .....	34
Table 4-26. I/O port AC characteristics <sup>(1)(2)(4)</sup> .....	36
Table 4-27. ADC characteristics .....	37
Table 4-28. ADC RAIN max for $f_{ADC} = 40 \text{ MHz}^{(2)}$ .....	37
Table 4-29. ADC dynamic accuracy at $f_{ADC} = 40 \text{ MHz}^{(1)}$ .....	38
Table 4-30. ADC static accuracy at $f_{ADC} = 40 \text{ MHz}^{(1)}$ .....	38
Table 4-31. Temperature sensor characteristics <sup>(1)</sup> .....	38
Table 4-32. DAC characteristics .....	38
Table 4-33. I2C characteristics <sup>(1)(2)</sup> .....	39
Table 4-34. Standard SPI characteristics <sup>(1)</sup> .....	41
Table 4-35. I2S characteristics <sup>(1)(2)</sup> .....	43
Table 4-36. USART characteristics <sup>(1)</sup> .....	45
Table 4-37. SDIO characteristics <sup>(1)(2)</sup> .....	45
Table 4-38. USBFS start up time.....	46
Table 4-39. USBFS DC electrical characteristics.....	46
Table 4-40. USBFS full speed-electrical characteristics <sup>(1)</sup> .....	46
Table 4-41. TIMER characteristics <sup>(1)</sup> .....	47
Table 4-42. DCI characteristics <sup>(1)</sup> .....	48
Table 4-43. FWDGT min/max timeout period at 32 kHz (IRC32K) <sup>(1)</sup> .....	48
Table 4-44. WWDGT min-max timeout value at 50 MHz ( $f_{PCLK1}$ ) <sup>(1)</sup> .....	48
Table 5-1. LQFP144 package dimensions .....	49
Table 5-2. BGA100 package dimensions .....	51
Table 5-3. LQFP100 package dimensions .....	53
Table 5-4. LQFP64 package dimensions .....	55
Table 5-5. Package thermal characteristics <sup>(1)</sup> .....	57
Table 6-1. Part ordering code for GD32F425xx devices.....	59
Table 7-1. Revision history.....	60

## 1. General description

The GD32F425xx device belongs to the connectivity line of GD32 MCU family. It is a new 32-bit general-purpose microcontroller based on the Arm® Cortex®-M4 RISC core with best cost-performance ratio in terms of enhanced processing capacity, reduced power consumption and peripheral set. The Cortex®-M4 core features a Floating Point Unit (FPU) that accelerates single precision floating point math operations and supports all Arm® single precision instructions and data types. It implements a full set of DSP instructions to address digital signal control markets that demand an efficient, easy-to-use blend of control and signal processing capabilities. It also provides a Memory Protection Unit (MPU) and powerful trace technology for enhanced application security and advanced debug support.

The GD32F425xx device incorporates the Arm® Cortex®-M4 32-bit processor core operating at 200 MHz frequency with Flash accesses zero wait states to obtain maximum efficiency. It provides up to 3072 KB on-chip Flash memory and 256 KB SRAM memory. An extensive range of enhanced I/Os and peripherals connected to two APB buses. The devices offer up to three 12-bit 2.6 MSPS ADCs, two 12-bit DACs, up to eight general 16-bit timers, two 16-bit PWM advanced-control timers, two 32-bit general timers, and two 16-bit basic timers, as well as standard and advanced communication interfaces: up to three SPIs, three I2Cs, four USARTs and two UARTs, two I2Ss, two CANs, a SDIO, USBFS and USBHS. Additional peripherals as Digital camera interface (DCI) is included.

The device operates from a 2.6 to 3.6V power supply and available in –40 to +85 °C temperature range. Three power saving modes provide the flexibility for maximum optimization of power consumption, an especially important consideration in low power applications.

The above features make GD32F425xx devices suitable for a wide range of interconnection and advanced applications, especially in areas such as industrial control, consumer and handheld equipment, embedded modules, human machine interface, security and alarm systems, graphic display, automotive navigation, drone, IoT and so on.





## 2. Device overview

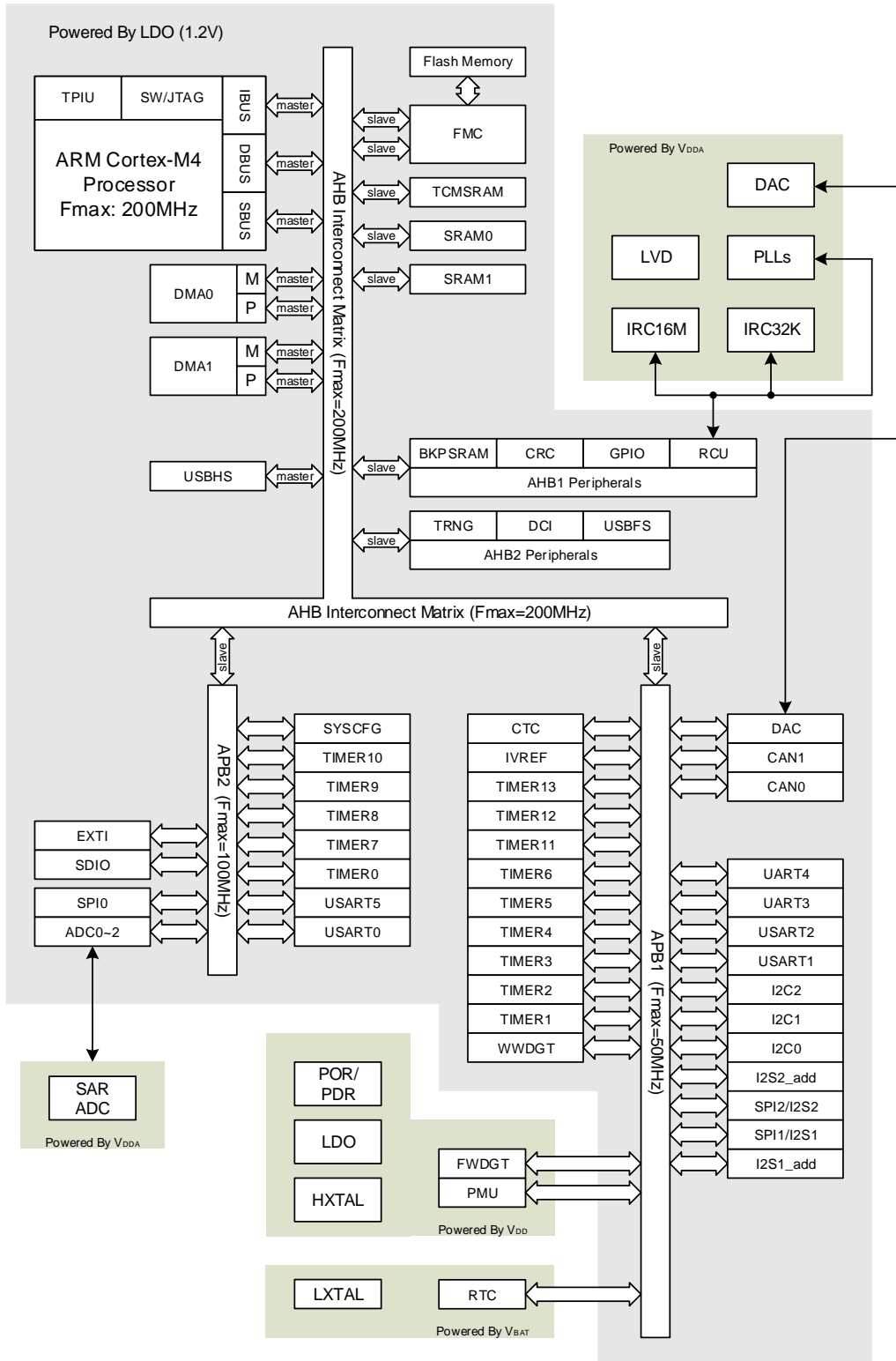
### 2.1. Device information

Table 2-1. GD32F425xx devices features and peripheral list

Part Number		GD32F425xx								
		RE	RG	RK	VG	VK	VG	VK	ZG	ZK
Flash	Code area (KB)	512	512	512	512	512	512	512	512	512
	Data area (KB)	0	512	2560	512	2560	512	2560	512	2560
	Total (KB)	512	1024	3072	1024	3072	1024	3072	1024	3072
SRAM (KB)		256	256	256	256	256	256	256	256	256
Timers	General timer(16-bit) <small>(2-3,8-13)</small>	8	8	8	8	8	8	8	8	8
	General timer (32-bit) <small>(1,4)</small>	2	2	2	2	2	2	2	2	2
	Advanced timer(16-bit) <small>(0,7)</small>	2	2	2	2	2	2	2	2	2
	Basic timer(16-bit) <small>(5,6)</small>	2	2	2	2	2	2	2	2	2
	SysTick	1	1	1	1	1	1	1	1	1
	Watchdog	2	2	2	2	2	2	2	2	2
	RTC	1	1	1	1	1	1	1	1	1
Connectivity	USART	4	4	4	4	4	4	4	4	4
	UART	2	2	2	2	2	2	2	2	2
	I2C	3	3	3	3	3	3	3	3	3
	SPI/I2S <small>(0-2)/(1-2)</small>	3/2	3/2	3/2	3/2	3/2	3/2	3/2	3/2	3/2
	SDIO	1	1	1	1	1	1	1	1	1
	CAN	2	2	2	2	2	2	2	2	2
	USB	FS+HS	FS+HS	FS+HS	FS+HS	FS+HS	FS+HS	FS+HS	FS+HS	FS+HS
	DCI	1	1	1	1	1	1	1	1	1
GPIO		51	51	51	82	82	82	82	114	114
ADC(CHs)		3(16)	3(16)	3(16)	3(16)	3(16)	3(16)	3(16)	3(24)	3(24)
DAC		2	2	2	2	2	2	2	2	2
Package		LQFP64			LQFP100		BGA100		LQFP144	

## 2.2. Block diagram

Figure 2-1. GD32F425xx block diagram



### 2.3. Pinouts and pin assignment

Figure 2-2. GD32F425Vx BGA100 pinouts

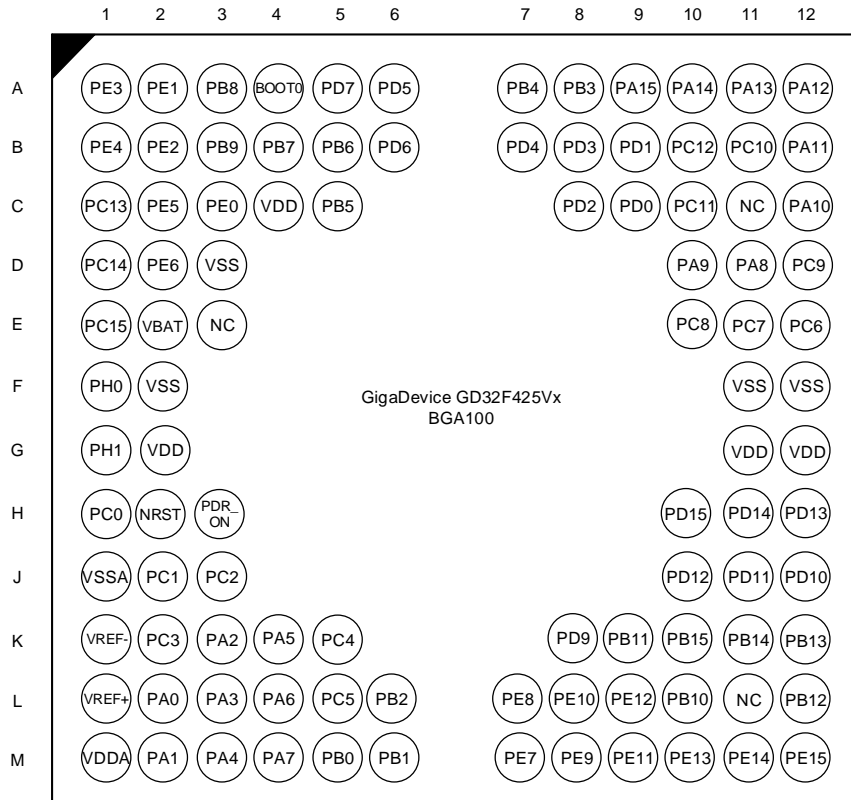
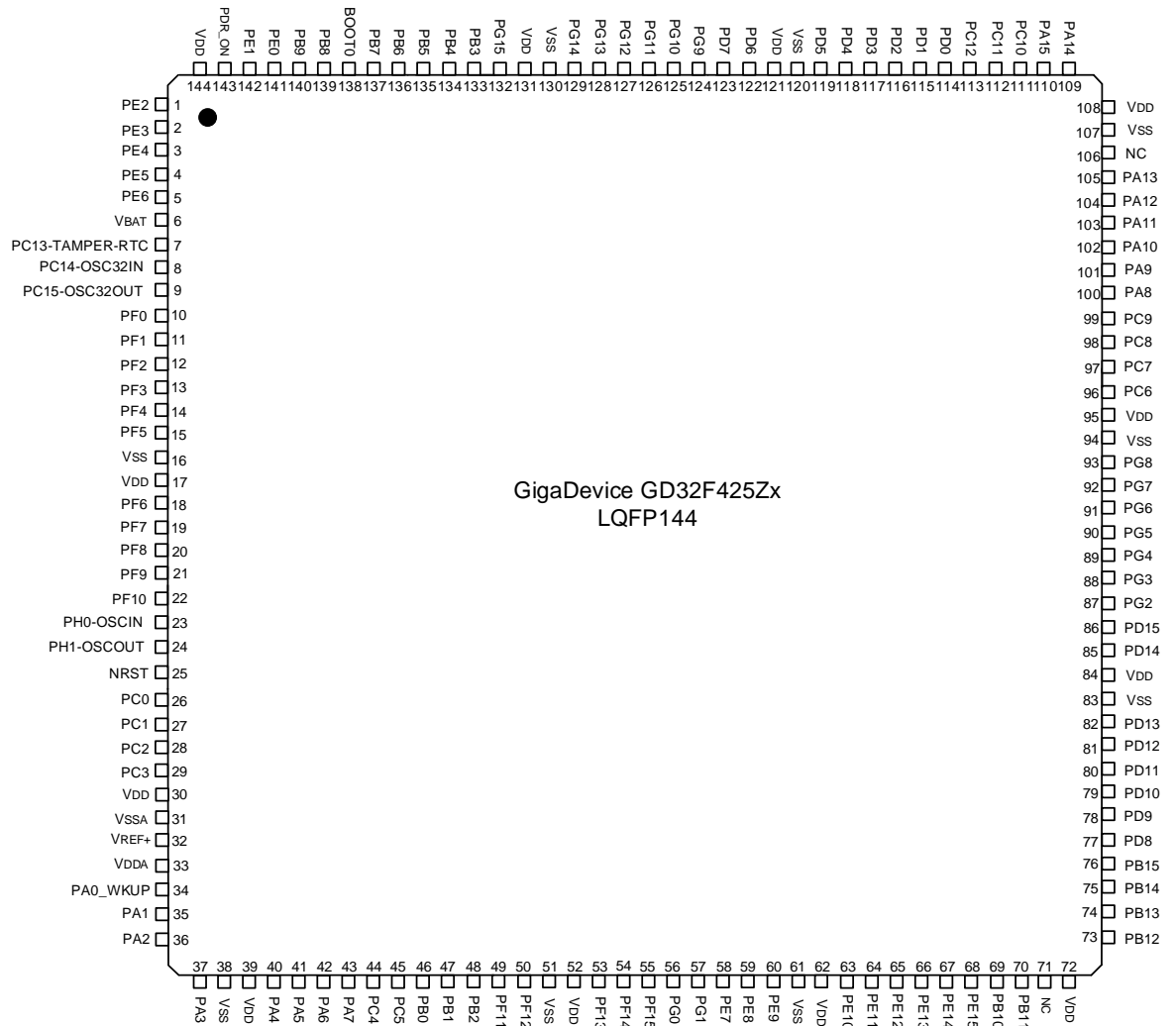
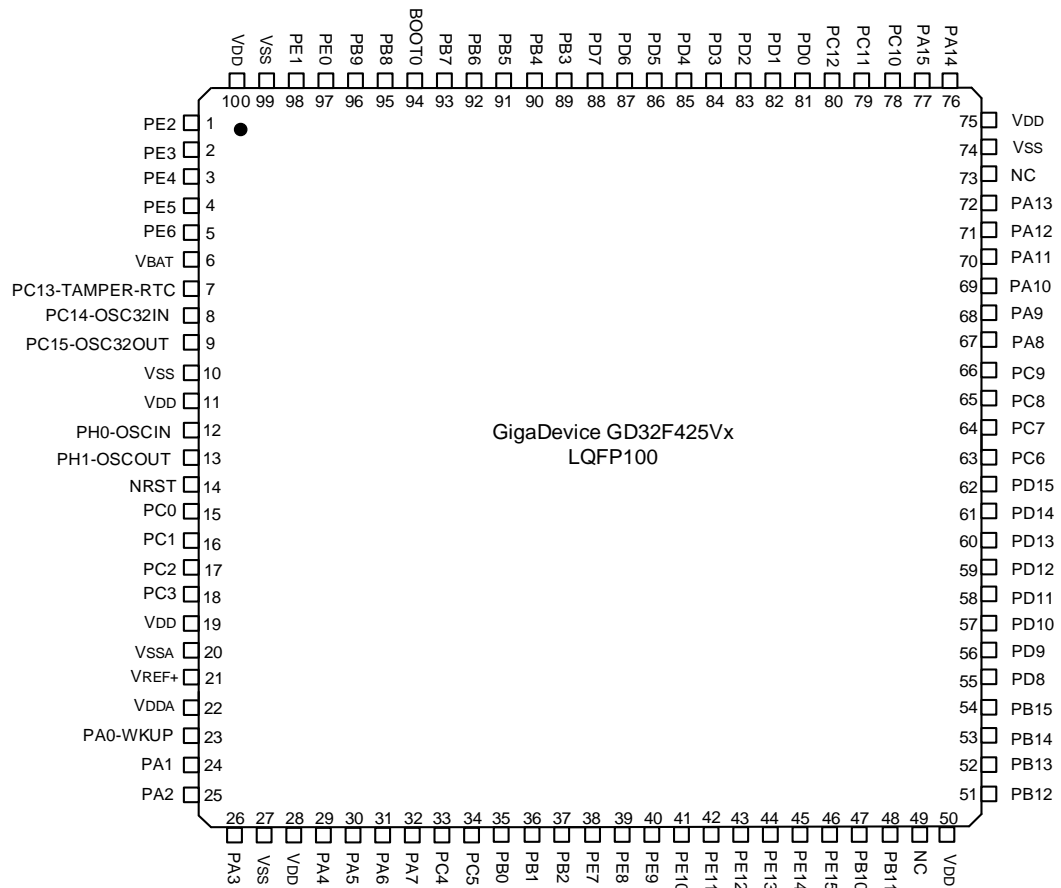


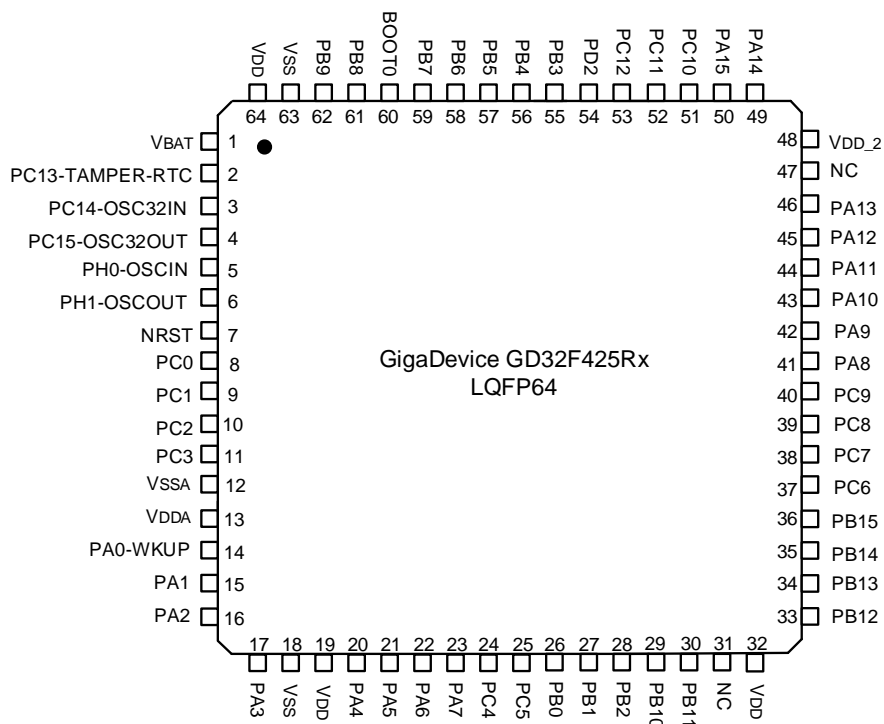
Figure 2-3. GD32F425Zx LQFP144 pinouts



**Figure 2-4. GD32F425Vx LQFP100 pinouts**



**Figure 2-5. GD32F425Rx LQFP64 pinouts**



## 2.4. Memory map

**Table 2-2. GD32F425xx memory map**

Pre-defined Regions	Bus	Address	Peripherals
External Device	AHB	0xC000 0000 - 0xDFFF FFFF	Reserved
		0xA000 1000 - 0xBFFF FFFF	Reserved
		0xA000 0000 - 0xA000 0FFF	Reserved
External RAM		0x9000 0000 - 0x9FFF FFFF	Reserved
		0x7000 0000 - 0x8FFF FFFF	Reserved
		0x6000 0000 - 0x6FFF FFFF	Reserved
Peripheral	AHB2	0x5006 0C00 - 0x5FFF FFFF	Reserved
		0x5006 0800 - 0x5006 0BFF	TRNG
		0x5005 0400 - 0x5006 07FF	Reserved
		0x5005 0000 - 0x5005 03FF	DCI
		0x5004 0000 - 0x5004 FFFF	Reserved
		0x5000 0000 - 0x5003 FFFF	USBFS
	AHB1	0x4008 0000 - 0x4FFF FFFF	Reserved
		0x4004 0000 - 0x4007 FFFF	USBHS
		0x4002 BC00 - 0x4003 FFFF	Reserved
		0x4002 B000 - 0x4002 BBFF	Reserved
		0x4002 A000 - 0x4002 AFFF	Reserved
		0x4002 8000 - 0x4002 9FFF	Reserved
		0x4002 6800 - 0x4002 7FFF	Reserved
		0x4002 6400 - 0x4002 67FF	DMA1
		0x4002 6000 - 0x4002 63FF	DMA0
		0x4002 5000 - 0x4002 5FFF	Reserved
		0x4002 4000 - 0x4002 4FFF	BKP SRAM
		0x4002 3C00 - 0x4002 3FFF	FMC
		0x4002 3800 - 0x4002 3BFF	RCU
		0x4002 3400 - 0x4002 37FF	Reserved
		0x4002 3000 - 0x4002 33FF	CRC
		0x4002 2400 - 0x4002 2FFF	Reserved
		0x4002 2000 - 0x4002 23FF	GPIOI
		0x4002 1C00 - 0x4002 1FFF	GPIOH
		0x4002 1800 - 0x4002 1BFF	GPIOG
		0x4002 1400 - 0x4002 17FF	GPIOF
		0x4002 1000 - 0x4002 13FF	GPIOE
		0x4002 0C00 - 0x4002 0FFF	GIPOD
		0x4002 0800 - 0x4002 0BFF	GPIOC
		0x4002 0400 - 0x4002 07FF	GPIOB
0x4002 0000 - 0x4002 03FF	GPIOA		

Pre-defined Regions	Bus	Address	Peripherals
	APB2	0x4001 6C00 - 0x4001 FFFF	Reserved
		0x4001 6800 - 0x4001 6BFF	Reserved
		0x4001 5800 - 0x4001 67FF	Reserved
		0x4001 5400 - 0x4001 57FF	Reserved
		0x4001 5000 - 0x4001 53FF	Reserved
		0x4001 4C00 - 0x4001 4FFF	Reserved
		0x4001 4800 - 0x4001 4BFF	TIMER10
		0x4001 4400 - 0x4001 47FF	TIMER9
		0x4001 4000 - 0x4001 43FF	TIMER8
		0x4001 3C00 - 0x4001 3FFF	EXTI
		0x4001 3800 - 0x4001 3BFF	SYSCFG
		0x4001 3400 - 0x4001 37FF	Reserved
		0x4001 3000 - 0x4001 33FF	SPI0
		0x4001 2C00 - 0x4001 2FFF	SDIO
		0x4001 2400 - 0x4001 2BFF	Reserved
		0x4001 2300 - 0x4001 23FF	ADC0 <sup>(1)</sup>
		0x4001 2200 - 0x4001 22FF	ADC2
		0x4001 2100 - 0x4001 21FF	ADC1
		0x4001 2000 - 0x4001 20FF	ADC0
		0x4001 1800 - 0x4001 1FFF	Reserved
		0x4001 1400 - 0x4001 17FF	USART5
	0x4001 1000 - 0x4001 13FF	USART0	
	0x4001 0800 - 0x4001 0FFF	Reserved	
	0x4001 0400 - 0x4001 07FF	TIMER7	
	0x4001 0000 - 0x4001 03FF	TIMER0	
	APB1	0x4000 C800 - 0x4000 FFFF	Reserved
		0x4000 C400 - 0x4000 C7FF	IREF
		0x4000 8000 - 0x4000 C3FF	Reserved
		0x4000 7C00 - 0x4000 7FFF	Reserved
		0x4000 7800 - 0x4000 7BFF	Reserved
		0x4000 7400 - 0x4000 77FF	DAC
		0x4000 7000 - 0x4000 73FF	PMU
		0x4000 6C00 - 0x4000 6FFF	CTC
0x4000 6800 - 0x4000 6BFF		CAN1	
0x4000 6400 - 0x4000 67FF		CAN0	
0x4000 6000 - 0x4000 63FF		Reserved	
0x4000 5C00 - 0x4000 5FFF		I2C2	
0x4000 5800 - 0x4000 5BFF	I2C1		
0x4000 5400 - 0x4000 57FF	I2C0		
0x4000 5000 - 0x4000 53FF	UART4		
0x4000 4C00 - 0x4000 4FFF	UART3		

Pre-defined Regions	Bus	Address	Peripherals
		0x4000 4800 - 0x4000 4BFF	USART2
		0x4000 4400 - 0x4000 47FF	USART1
		0x4000 4000 - 0x4000 43FF	I2S2_add
		0x4000 3C00 - 0x4000 3FFF	SPI2/I2S2
		0x4000 3800 - 0x4000 3BFF	SPI1/I2S1
		0x4000 3400 - 0x4000 37FF	I2S1_add
		0x4000 3000 - 0x4000 33FF	FWDGT
		0x4000 2C00 - 0x4000 2FFF	WWDGT
		0x4000 2800 - 0x4000 2BFF	RTC
		0x4000 2400 - 0x4000 27FF	Reserved
		0x4000 2000 - 0x4000 23FF	TIMER13
		0x4000 1C00 - 0x4000 1FFF	TIMER12
		0x4000 1800 - 0x4000 1BFF	TIMER11
		0x4000 1400 - 0x4000 17FF	TIMER6
		0x4000 1000 - 0x4000 13FF	TIMER5
		0x4000 0C00 - 0x4000 0FFF	TIMER4
		0x4000 0800 - 0x4000 0BFF	TIMER3
		0x4000 0400 - 0x4000 07FF	TIMER2
		0x4000 0000 - 0x4000 03FF	TIMER1
SRAM	AHB	0x2007 0000 - 0x3FFF FFFF	Reserved
		0x2003 0000 - 0x2006 FFFF	Reserved
		0x2002 0000 - 0x2002 FFFF	SRAM2(64KB)
		0x2001 C000 - 0x2001 FFFF	SRAM1(16KB)
		0x2000 0000 - 0x2001 BFFF	SRAM0(112KB)
Code	AHB	0x1FFF C010 - 0x1FFF FFFF	Reserved
		0x1FFF C000 - 0x1FFF C00F	Option bytes(Bank 0)
		0x1FFF 7A10 - 0x1FFF BFFF	Reserved
		0x1FFF 7800 - 0x1FFF 7A0F	OTP(512B)
		0x1FFF 0000 - 0x1FFF 77FF	Boot loader(30KB)
		0x1FFE C010 - 0x1FFE FFFF	Reserved
		0x1FFE C000 - 0x1FFE C00F	Option bytes(Bank 1)
		0x1001 0000 - 0x1FFE BFFF	Reserved
		0x1000 0000 - 0x1000 FFFF	TCMSRAM(64KB)
		0x0830 0000 - 0x0FFF FFFF	Reserved
		0x0800 0000 - 0x082F FFFF	Main Flash(3072KB)
		0x0000 0000 - 0x07FF FFFF	Aliased to the boot device

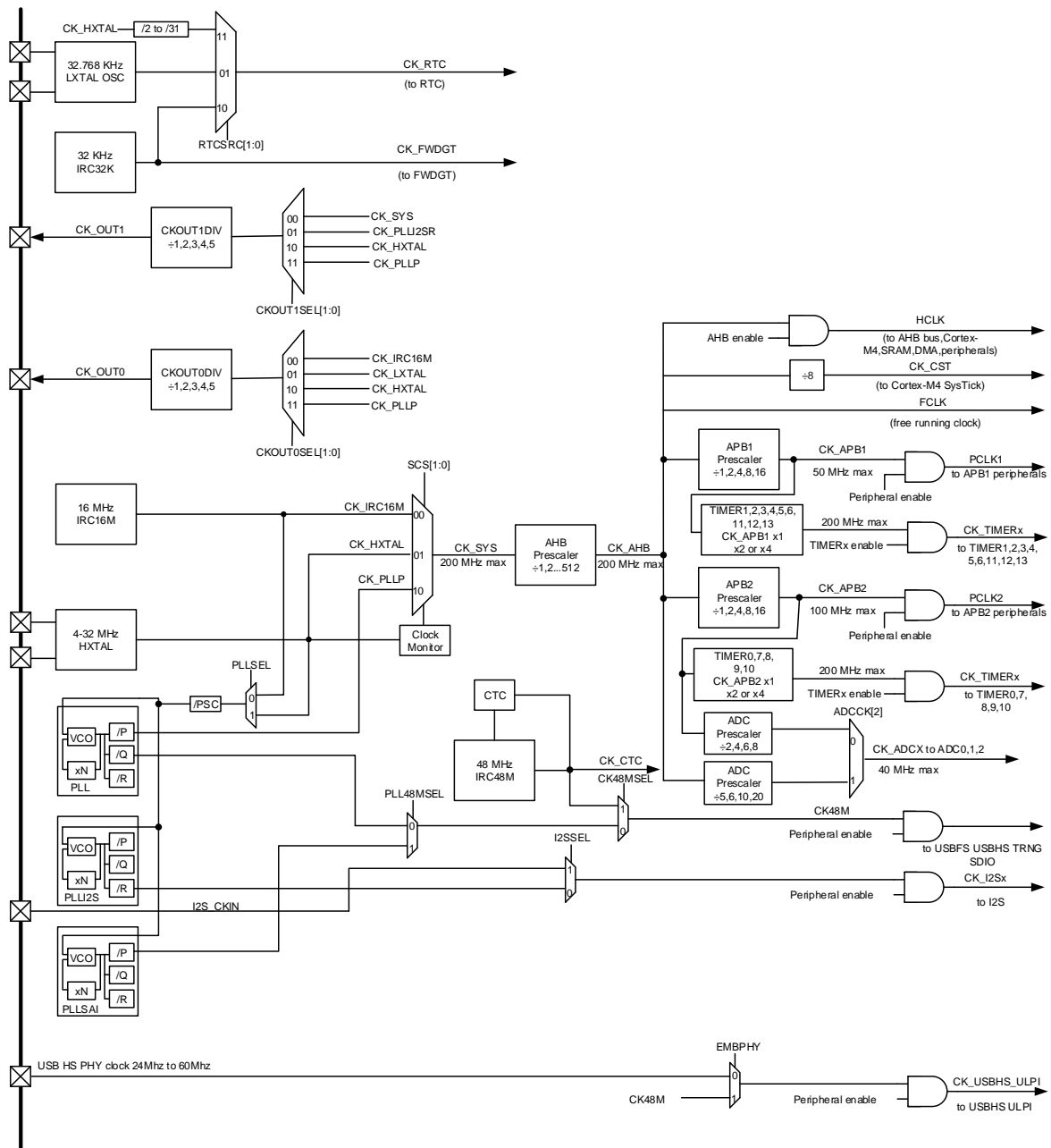
**Note:**

(1) ADC\_SSTAT, ADC\_SYNCCTL, ADC\_SYNCDATA based on base address of ADC0.



## 2.5. Clock tree

Figure 2-6. GD32F425xx clock tree



**Legend:**

- HXTAL: High speed crystal oscillator
- LXTAL: Low speed crystal oscillator
- IRC16M: Internal 16M RC oscillators
- IRC32K: Internal 32K RC oscillator
- IRC48M: Internal 48M RC oscillators

## 2.6. Pin definitions

### 2.6.1. GD32F425Zx LQFP144 pin definitions

**Table 2-3. GD32F425Zx LQFP144 pin definitions**

Pin Name	Pins	Pin Type <sup>(1)</sup>	I/O Level <sup>(2)</sup>	Functions description
PE2	1	I/O	5VT	Default: PE2 Alternate: TRACECK, EVENTOUT
PE3	2	I/O	5VT	Default: PE3 Alternate: TRACED0, EVENTOUT
PE4	3	I/O	5VT	Default: PE4 Alternate: TRACED1, DCI_D4, EVENTOUT
PE5	4	I/O	5VT	Default: PE5 Alternate: TRACED2, TIMER8_CH0, DCI_D6, EVENTOUT
PE6	5	I/O	5VT	Default: PE6 Alternate: TRACED3, TIMER8_CH1, DCI_D7, EVENTOUT
V <sub>BAT</sub>	6	P	-	Default: V <sub>BAT</sub>
PC13- TAMPER- RTC	7	I/O	5VT	Default: PC13 Alternate: EVENTOUT Additional: RTC_TAMP0, RTC_OUT, RTC_TS
PC14- OSC32IN	8	I/O	5VT	Default: PC14 Alternate: EVENTOUT Additional: OSC32IN
PC15- OSC32OU T	9	I/O	5VT	Default: PC15 Alternate: EVENTOUT Additional: OSC32OUT
PF0	10	I/O	5VT	Default: PF0 Alternate: I2C1_SDA, EVENTOUT, CTC_SYNC
PF1	11	I/O	5VT	Default: PF1 Alternate: I2C1_SCL, EVENTOUT
PF2	12	I/O	5VT	Default: PF2 Alternate: I2C1_SMBA, EVENTOUT
PF3	13	I/O	5VT	Default: PF3 Alternate: EVENTOUT, I2C1_TXFRAME Additional: ADC2_IN9
PF4	14	I/O	5VT	Default: PF4 Alternate: EVENTOUT Additional: ADC2_IN14
PF5	15	I/O	5VT	Default: PF5 Alternate: EVENTOUT Additional: ADC2_IN15
V <sub>SS</sub>	16	P	-	Default: V <sub>SS</sub>

Pin Name	Pins	Pin Type <sup>(1)</sup>	I/O Level <sup>(2)</sup>	Functions description
V <sub>DD</sub>	17	P	-	Default: V <sub>DD</sub>
PF6	18	I/O	5VT	Default: PF6 Alternate: TIMER9_CH0, EVENTOUT Additional: ADC2_IN4
PF7	19	I/O	5VT	Default: PF7 Alternate: TIMER10_CH0, EVENTOUT Additional: ADC2_IN5
PF8	20	I/O	5VT	Default: PF8 Alternate: TIMER12_CH0, EVENTOUT Additional: ADC2_IN6
PF9	21	I/O	5VT	Default: PF9 Alternate: TIMER13_CH0, EVENTOUT Additional: ADC2_IN7
PF10	22	I/O	5VT	Default: PF10 Alternate: DCI_D11, EVENTOUT Additional: ADC2_IN8
PH0	23	I/O	5VT	Default: PH0, OSCIN Alternate: EVENTOUT Additional: OSCIN
PH1	24	I/O	5VT	Default: PH1, OSCOUT Alternate: EVENTOUT Additional: OSCOUT
NRST	25	-	-	Default: NRST
PC0	26	I/O	5VT	Default: PC0 Alternate: USBHS_ULPI_STP, EVENTOUT Additional: ADC012_IN10
PC1	27	I/O	5VT	Default: PC1 Alternate: SPI2_MOSI, I2S2_SD, SPI1_MOSI, I2S1_SD, EVENTOUT Additional: ADC012_IN11
PC2	28	I/O	5VT	Default: PC2 Alternate: SPI1_MISO, I2S1_ADD_SD, USBHS_ULPI_DIR, EVENTOUT Additional: ADC012_IN12
PC3	29	I/O	5VT	Default: PC3 Alternate: SPI1_MOSI, I2S1_SD, USBHS_ULPI_NXT, EVENTOUT Additional: ADC012_IN13
V <sub>DD</sub>	30	P	-	Default: V <sub>DD</sub>
V <sub>SSA</sub>	31	P	-	Default: V <sub>SSA</sub>
V <sub>REFP</sub>	32	P	-	Default: V <sub>REF+</sub>
V <sub>DDA</sub>	33	P	-	Default: V <sub>DDA</sub>

Pin Name	Pins	Pin Type <sup>(1)</sup>	I/O Level <sup>(2)</sup>	Functions description
PA0-WKUP	34	I/O	5VT	Default: PA0 Alternate: TIMER1_CH0, TIMER1_ETI, TIMER4_CH0, TIMER7_ETI, USART1_CTS, UART3_TX, EVENTOUT Additional: ADC012_IN0, WKUP
PA1	35	I/O	5VT	Default: PA1 Alternate: TIMER1_CH1, TIMER4_CH1, USART1_RTS, UART3_RX, EVENTOUT Additional: ADC012_IN1
PA2	36	I/O	5VT	Default: PA2 Alternate: TIMER1_CH2, TIMER4_CH2, TIMER8_CH0, I2S_CKIN, USART1_TX, EVENTOUT Additional: ADC012_IN2
PA3	37	I/O	5VT	Default: PA3 Alternate: TIMER1_CH3, TIMER4_CH3, TIMER8_CH1, I2S1_MCK, USART1_RX, USBHS_ULPI_D0, EVENTOUT Additional: ADC012_IN3
V <sub>SS</sub>	38	P	-	Default: V <sub>SS</sub>
V <sub>DD</sub>	39	P	-	Default: V <sub>DD</sub>
PA4	40	I/O		Default: PA4 Alternate: SPI0_NSS, SPI2_NSS, I2S2_WS, USART1_CK, USBHS_SOF, DCI_HSYNC, EVENTOUT Additional: ADC01_IN4, DAC_OUT0
PA5	41	I/O		Default: PA5 Alternate: TIMER1_CH0, TIMER1_ETI, TIMER7_CH0_ON, SPI0_SCK, USBHS_ULPI_CK, EVENTOUT Additional: ADC01_IN5, DAC_OUT1
PA6	42	I/O	5VT	Default: PA6 Alternate: TIMER0_BRKIN, TIMER2_CH0, TIMER7_BRKIN, SPI0_MISO, I2S1_MCK, TIMER12_CH0, SDIO_CMD, DCI_PIXCLK, EVENTOUT Additional: ADC01_IN6
PA7	43	I/O	5VT	Default: PA7 Alternate: TIMER0_CH0_ON, TIMER2_CH1, TIMER7_CH0_ON, SPI0_MOSI, TIMER13_CH0, EVENTOUT Additional: ADC01_IN7
PC4	44	I/O	5VT	Default: PC4 Alternate: EVENTOUT Additional: ADC01_IN14
PC5	45	I/O	5VT	Default: PC5 Alternate: USART2_RX, EVENTOUT Additional: ADC01_IN15
PB0	46	I/O	5VT	Default: PB0

Pin Name	Pins	Pin Type <sup>(1)</sup>	I/O Level <sup>(2)</sup>	Functions description
				Alternate: TIMER0_CH1_ON, TIMER2_CH2, TIMER7_CH1_ON, SPI2_MOSI, I2S2_SD, USBHS_ULPI_D1, SDIO_D1, EVENTOUT Additional: ADC01_IN8, IREF
PB1	47	I/O	5VT	Default: PB1 Alternate: TIMER0_CH2_ON, TIMER2_CH3, TIMER7_CH2_ON, USBHS_ULPI_D2, SDIO_D2, EVENTOUT Additional: ADC01_IN9
PB2	48	I/O	5VT	Default: PB2, BOOT1 Alternate: TIMER1_CH3, SPI2_MOSI, I2S2_SD, USBHS_ULPI_D4, SDIO_CK, EVENTOUT
PF11	49	I/O	5VT	Default: PF11 Alternate: DCI_D12, EVENTOUT
PF12	50	I/O	5VT	Default: PF12 Alternate: EVENTOUT
V <sub>SS</sub>	51	P	-	Default: V <sub>SS</sub>
V <sub>DD</sub>	52	P	-	Default: V <sub>DD</sub>
PF13	53	I/O	5VT	Default: PF13 Alternate: EVENTOUT
PF14	54	I/O	5VT	Default: PF14 Alternate: EVENTOUT
PF15	55	I/O	5VT	Default: PF15 Alternate: EVENTOUT
PG0	56	I/O	5VT	Default: PG0 Alternate: EVENTOUT
PG1	57	I/O	5VT	Default: PG1 Alternate: EVENTOUT
PE7	58	I/O	5VT	Default: PE7 Alternate: TIMER0_ETI, EVENTOUT
PE8	59	I/O	5VT	Default: PE8 Alternate: TIMER0_CH0_ON, EVENTOUT
PE9	60	I/O	5VT	Default: PE9 Alternate: TIMER0_CH0, EVENTOUT
V <sub>SS</sub>	61	P	-	Default: V <sub>SS</sub>
V <sub>DD</sub>	62	P	-	Default: V <sub>DD</sub>
PE10	63	I/O	5VT	Default: PE10 Alternate: TIMER0_CH1_ON, EVENTOUT
PE11	64	I/O	5VT	Default: PE11 Alternate: TIMER0_CH1, EVENTOUT
PE12	65	I/O	5VT	Default: PE12 Alternate: TIMER0_CH2_ON, EVENTOUT
PE13	66	I/O	5VT	Default: PE13

Pin Name	Pins	Pin Type <sup>(1)</sup>	I/O Level <sup>(2)</sup>	Functions description
				Alternate:TIMER0_CH2, EVENTOUT
PE14	67	I/O	5VT	Default: PE14 Alternate:TIMER0_CH3, EVENTOUT
PE15	68	I/O	5VT	Default: PE15 Alternate: TIMER0_BRKIN, EVENTOUT
PB10	69	I/O	5VT	Default: PB10 Alternate: TIMER1_CH2,I2C1_SCL, SPI1_SCK, I2S1_CK, I2S2_MCK, USART2_TX, USBHS_ULPI_D3, SDIO_D7, EVENTOUT
PB11	70	I/O	5VT	Default: PB11 Alternate: TIMER1_CH3, I2C1_SDA, I2S_CKIN, USART2_RX, USBHS_ULPI_D4, EVENTOUT
NC	71	-	-	-
V <sub>DD</sub>	72	P	-	Default: V <sub>DD</sub>
PB12	73	I/O	5VT	Default: PB12 Alternate: TIMER0_BRKIN, I2C1_SMBA, SPI1_NSS, I2S1_WS, USART2_CK, CAN1_RX, USBHS_ULPI_D5, USBHS_ID, EVENTOUT
PB13	74	I/O	5VT	Default: PB13 Alternate: TIMER0_CH0_ON, SPI1_SCK, I2S1_CK, USART2_CTS, CAN1_TX, USBHS_ULPI_D6, EVENTOUT, I2C1_TXFRAME Additional: USBHS_VBUS
PB14	75	I/O	5VT	Default: PB14 Alternate: TIMER0_CH1_ON, TIMER7_CH1_ON, SPI1_MISO, I2S1_ADD_SD, USART2_RTS, TIMER11_CH0, USBHS_DM, EVENTOUT
PB15	76	I/O	5VT	Default: PB15 Alternate: RTC_REFIN, TIMER0_CH2_ON, TIMER7_CH2_ON, SPI1_MOSI, I2S1_SD, TIMER11_CH1, USBHS_DP, EVENTOUT
PD8	77	I/O	5VT	Default: PD8 Alternate: USART2_TX, EVENTOUT
PD9	78	I/O	5VT	Default: PD9 Alternate: USART2_RX, EVENTOUT
PD10	79	I/O	5VT	Default: PD10 Alternate: USART2_CK, EVENTOUT
PD11	80	I/O	5VT	Default: PD11 Alternate: USART2_CTS, EVENTOUT
PD12	81	I/O	5VT	Default: PD12 Alternate: TIMER3_CH0,USART2_RTS , EVENTOUT
PD13	82	I/O	5VT	Default: PD13

Pin Name	Pins	Pin Type <sup>(1)</sup>	I/O Level <sup>(2)</sup>	Functions description
				Alternate: TIMER3_CH1, EVENTOUT
V <sub>SS</sub>	83	P	-	Default: V <sub>SS</sub>
V <sub>DD</sub>	84	P	-	Default: V <sub>DD</sub>
PD14	85	I/O	5VT	Default: PD14 Alternate: TIMER3_CH2, EVENTOUT
PD15	86	I/O	5VT	Default: PD15 Alternate: TIMER3_CH3, EVENTOUT, CTC_SYNC
PG2	87	I/O	5VT	Default: PG2 Alternate: EVENTOUT
PG3	88	I/O	5VT	Default: PG3 Alternate: EVENTOUT
PG4	89	I/O	5VT	Default: PG4 Alternate: EVENTOUT
PG5	90	I/O	5VT	Default: PG5 Alternate: EVENTOUT
PG6	91	I/O	5VT	Default: PG6 Alternate: DCI_D12, EVENTOUT
PG7	92	I/O	5VT	Default: PG7 Alternate: USART5_CK, DCI_D13, EVENTOUT
PG8	93	I/O	5VT	Default: PG8 Alternate: USART5_RTS, EVENTOUT
V <sub>SS</sub>	94	P	-	Default: V <sub>SS</sub>
V <sub>DD</sub>	95	P	-	Default: V <sub>DD</sub>
PC6	96	I/O	5VT	Default: PC6 Alternate: TIMER2_CH0, TIMER7_CH0, I2S1_MCK, USART5_TX, SDIO_D6, DCI_D0, EVENTOUT
PC7	97	I/O	5VT	Default: PC7 Alternate: TIMER2_CH1, TIMER7_CH1, SPI1_SCK, I2S1_CK, I2S2_MCK, USART5_RX, SDIO_D7, DCI_D1, EVENTOUT
PC8	98	I/O	5VT	Default: PC8 Alternate: TRACED0, TIMER2_CH2, TIMER7_CH2, USART5_CK, SDIO_D0, DCI_D2, EVENTOUT
PC9	99	I/O	5VT	Default: PC9 Alternate: CK_OUT1, TIMER2_CH3, TIMER7_CH3, I2C2_SDA, I2S_CKIN, SDIO_D1, DCI_D3, EVENTOUT
PA8	100	I/O	5VT	Default: PA8 Alternate: CK_OUT0, TIMER0_CH0, I2C2_SCL, USART0_CK, USBFS_SOF, SDIO_D1, EVENTOUT, CTC_SYNC
PA9	101	I/O	5VT	Default: PA9 Alternate: TIMER0_CH1, I2C2_SMBA, SPI1_SCK, I2S1_CK, USART0_TX, SDIO_D2, DCI_D0, EVENTOUT Additional: USBFS_VBUS

Pin Name	Pins	Pin Type <sup>(1)</sup>	I/O Level <sup>(2)</sup>	Functions description
PA10	102	I/O	5VT	Default: PA10 Alternate: TIMER0_CH2, I2C2_TXFRAME, USART0_RX, USBFS_ID, DCI_D1, EVENTOUT
PA11	103	I/O	5VT	Default: PA11 Alternate: TIMER0_CH3, USART0_CTS, USART5_TX, CAN0_RX, USBFS_DM, EVENTOUT
PA12	104	I/O	5VT	Default: PA12 Alternate: TIMER0_ETI, USART0_RTS, USART5_RX, CAN0_TX, USBFS_DP, EVENTOUT
PA13	105	I/O	5VT	Default: JTMS, SWDIO, PA13 Alternate: EVENTOUT
NC	106	-	-	-
V <sub>SS</sub>	107	P	-	Default: V <sub>SS</sub>
V <sub>DD</sub>	108	P	-	Default: V <sub>DD</sub>
PA14	109	I/O	5VT	Default: JTCK, SWCLK, PA14 Alternate: EVENTOUT
PA15	110	I/O	5VT	Default: JTDI, PA15 Alternate: TIMER1_CH0, TIMER1_ETI, SPI0_NSS, SPI2_NSS, I2S2_WS, USART0_TX, EVENTOUT
PC10	111	I/O	5VT	Default: PC10 Alternate: SPI2_SCK, I2S2_CK, USART2_TX, UART3_TX, SDIO_D2, DCI_D8, EVENTOUT
PC11	112	I/O	5VT	Default: PC11 Alternate: I2S2_ADD_SD, SPI2_MISO, USART2_RX, UART3_RX, SDIO_D3, DCI_D4, EVENTOUT
PC12	113	I/O	5VT	Default: PC12 Alternate: I2C1_SDA, SPI2_MOSI, I2S2_SD, USART2_CK, UART4_TX, SDIO_CK, DCI_D9, EVENTOUT
PD0	114	I/O	5VT	Default: PD0 Alternate: SPI2_MOSI, I2S2_SD, CAN0_RX, EVENTOUT
PD1	115	I/O	5VT	Default: PD1 Alternate: SPI1_NSS, I2S1_WS, CAN0_TX, EVENTOUT
PD2	116	I/O	5VT	Default: PD2 Alternate: TIMER2_ETI, UART4_RX, SDIO_CMD, DCI_D11, EVENTOUT
PD3	117	I/O	5VT	Default: PD3 Alternate: TRACED1, SPI1_SCK, I2S1_CK, USART1_CTS, DCI_D5, EVENTOUT
PD4	118	I/O	5VT	Default: PD4 Alternate: USART1_RTS, EVENTOUT
PD5	119	I/O	5VT	Default: PD5 Alternate: USART1_TX, EVENTOUT



Pin Name	Pins	Pin Type <sup>(1)</sup>	I/O Level <sup>(2)</sup>	Functions description
V <sub>SS</sub>	120	P	-	Default: V <sub>SS</sub>
V <sub>DD</sub>	121	P	-	Default: V <sub>DD</sub>
PD6	122	I/O	5VT	Default: PD6 Alternate: SPI2_MOSI, I2S2_SD, USART1_RX, DCI_D10, EVENTOUT
PD7	123	I/O	5VT	Default: PD7 Alternate: USART1_CK, EVENTOUT
PG9	124	I/O	5VT	Default: PG9 Alternate: USART5_RX, DCI_VSYNC, EVENTOUT
PG10	125	I/O	5VT	Default: PG10 Alternate: DCI_D2, EVENTOUT
PG11	126	I/O	5VT	Default: PG11 Alternate: DCI_D3, EVENTOUT
PG12	127	I/O	5VT	Default: PG12 Alternate: USART5_RTS, EVENTOUT
PG13	128	I/O	5VT	Default: PG13 Alternate: TRACED2, USART5_CTS, EVENTOUT
PG14	129	I/O	5VT	Default: PG14 Alternate: TRACED3, USART5_TX, EVENTOUT
V <sub>SS</sub>	130	P	-	Default: V <sub>SS</sub>
V <sub>DD</sub>	131	P	-	Default: V <sub>DD</sub>
PG15	132	I/O	5VT	Default: PG15 Alternate: USART5_CTS, DCI_D13, EVENTOUT
PB3	133	I/O	5VT	Default: JTDO, PB3 Alternate: TRACESWO, TIMER1_CH1, SPI0_SCK, SPI2_SCK, I2S2_CK, USART0_RX, I2C1_SDA, EVENTOUT
PB4	134	I/O	5VT	Default: NJTRST, PB4 Alternate: TIMER2_CH0, I2C0_TXFRAME, SPI0_MISO, SPI2_MISO, I2S2_ADD_SD, I2C2_SDA, SDIO_D0, EVENTOUT
PB5	135	I/O	5VT	Default: PB5 Alternate: TIMER2_CH1, I2C0_SMBA, SPI0_MOSI, SPI2_MOSI, I2S2_SD, CAN1_RX, USBHS_ULPI_D7, DCI_D10, EVENTOUT
PB6	136	I/O	5VT	Default: PB6 Alternate: TIMER3_CH0, I2C0_SCL, USART0_TX, CAN1_TX, DCI_D5, EVENTOUT
PB7	137	I/O	5VT	Default: PB7 Alternate: TIMER3_CH1, I2C0_SDA, USART0_RX, DCI_VSYNC, EVENTOUT
BOOT0	138	I/O	5VT	Default: BOOT0
PB8	139	I/O	5VT	Default: PB8

Pin Name	Pins	Pin Type <sup>(1)</sup>	I/O Level <sup>(2)</sup>	Functions description
				Alternate: TIMER1_CH0, TIMER1_ETI, TIMER3_CH2, TIMER9_CH0, I2C0_SCL, CAN0_RX, SDIO_D4, DCI_D6, EVENTOUT
PB9	140	I/O	5VT	Default: PB9 Alternate: TIMER1_CH1, TIMER3_CH3, TIMER10_CH0, I2C0_SDA, SPI1_NSS, I2S1_WS, CAN0_TX, SDIO_D5, DCI_D7, EVENTOUT
PE0	141	I/O	5VT	Default: PE0 Alternate: TIMER3_ETI, DCI_D2, EVENTOUT
PE1	142	I/O	5VT	Default: PE1 Alternate: TIMER0_CH1_ON, DCI_D3, EVENTOUT
PDR_ON	143	P	-	Default: PDR_ON
V <sub>DD</sub>	144	P	-	Default: V <sub>DD</sub>

**Notes:**

(1) Type: I = input, O = output, P = power.

(2) I/O Level: 5VT = 5 V tolerant.

## 2.6.2. GD32F425Vx LQFP100 pin definitions

**Table 2-4. GD32F425Vx LQFP100 pin definitions**

Pin Name	Pins	Pin Type <sup>(1)</sup>	I/O Level <sup>(2)</sup>	Functions description
PE2	1	I/O	5VT	Default: PE2 Alternate: TRACECK, EVENTOUT
PE3	2	I/O	5VT	Default: PE3 Alternate: TRACED0, EVENTOUT
PE4	3	I/O	5VT	Default: PE4 Alternate: TRACED1, DCI_D4, EVENTOUT
PE5	4	I/O	5VT	Default: PE5 Alternate: TRACED2, TIMER8_CH0, DCI_D6, EVENTOUT
PE6	5	I/O	5VT	Default: PE6 Alternate: TRACED3, TIMER8_CH1, DCI_D7, EVENTOUT
V <sub>BAT</sub>	6	P	-	Default: V <sub>BAT</sub>
PC13-TAMPER-RTC	7	I/O	5VT	Default: PC13 Alternate: EVENTOUT Additional: RTC_TAMP0, RTC_OUT, RTC_TS
PC14-OSC32IN	8	I/O	5VT	Default: PC14 Alternate: EVENTOUT Additional: OSC32IN
PC15-OSC32O	9	I/O	5VT	Default: PC15 Alternate: EVENTOUT

Pin Name	Pins	Pin Type <sup>(1)</sup>	I/O Level <sup>(2)</sup>	Functions description
UT				Additional: OSC32OUT
V <sub>SS</sub>	10	P	-	Default: V <sub>SS</sub>
V <sub>DD</sub>	11	P	-	Default: V <sub>DD</sub>
PH0	12	I/O	5VT	Default: PH0, OSCIN Alternate: EVENTOUT Additional: OSCIN
PH1	13	I/O	5VT	Default: PH1, OSCOUT Alternate: EVENTOUT Additional: OSCOUT
NRST	14	-	-	Default: NRST
PC0	15	I/O	5VT	Default: PC0 Alternate: USBHS_ULPI_STP, EVENTOUT Additional: ADC012_IN10
PC1	16	I/O	5VT	Default: PC1 Alternate: SPI2_MOSI, I2S2_SD, SPI1_MOSI, I2S1_SD, EVENTOUT Additional: ADC012_IN11
PC2	17	I/O	5VT	Default: PC2 Alternate: SPI1_MISO, I2S1_ADD_SD, USBHS_ULPI_DIR, EVENTOUT Additional: ADC012_IN12
PC3	18	I/O	5VT	Default: PC3 Alternate: SPI1_MOSI, I2S1_SD, USBHS_ULPI_NXT, EVENTOUT Additional: ADC012_IN13
V <sub>DD</sub>	19	P	-	Default: V <sub>DD</sub>
V <sub>SSA</sub>	20	P	-	Default: V <sub>SSA</sub>
V <sub>REF+</sub>	21	P	-	Default: V <sub>REF+</sub>
V <sub>DDA</sub>	22	P	-	Default: V <sub>DDA</sub>
PA0-WKUP	23	I/O	5VT	Default: PA0 Alternate: TIMER1_CH0, TIMER1_ETI, TIMER4_CH0, TIMER7_ETI, USART1_CTS, UART3_TX, EVENTOUT Additional: ADC012_IN0, WKUP
PA1	24	I/O	5VT	Default: PA1 Alternate: TIMER1_CH1, TIMER4_CH1, USART1_RTS, UART3_RX, EVENTOUT Additional: ADC012_IN1
PA2	25	I/O	5VT	Default: PA2 Alternate: TIMER1_CH2, TIMER4_CH2, TIMER8_CH0, I2S_CKIN, USART1_TX, EVENTOUT Additional: ADC012_IN2
PA3	26	I/O	5VT	Default: PA3

Pin Name	Pins	Pin Type <sup>(1)</sup>	I/O Level <sup>(2)</sup>	Functions description
				Alternate: TIMER1_CH3, TIMER4_CH3, TIMER8_CH1, I2S1_MCK, USART1_RX, USBHS_ULPI_D0, EVENTOUT Additional: ADC012_IN3
V <sub>SS</sub>	27	P	-	Default: V <sub>SS</sub>
V <sub>DD</sub>	28	P	-	Default: V <sub>DD</sub>
PA4	29	I/O		Default: PA4 Alternate: SPI0_NSS, SPI2_NSS, I2S2_WS, USART1_CK, USBHS_SOF, DCI_HSYNC, EVENTOUT Additional: ADC01_IN4, DAC_OUT0
PA5	30	I/O		Default: PA5 Alternate: TIMER1_CH0, TIMER1_ETI, TIMER7_CH0_ON, SPI0_SCK, USBHS_ULPI_CK, EVENTOUT Additional: ADC01_IN5, DAC_OUT1
PA6	31	I/O	5VT	Default: PA6 Alternate: TIMER0_BRKIN, TIMER2_CH0, TIMER7_BRKIN, SPI0_MISO, I2S1_MCK, TIMER12_CH0, SDIO_CMD, DCI_PIXCLK, EVENTOUT Additional: ADC01_IN6
PA7	32	I/O	5VT	Default: PA7 Alternate: TIMER0_CH0_ON, TIMER2_CH1, TIMER7_CH0_ON, SPI0_MOSI, TIMER13_CH0, EVENTOUT Additional: ADC01_IN7
PC4	33	I/O	5VT	Default: PC4 Alternate: EVENTOUT Additional: ADC01_IN14
PC5	34	I/O	5VT	Default: PC5 Alternate: USART2_RX, EVENTOUT Additional: ADC01_IN15
PB0	35	I/O	5VT	Default: PB0 Alternate: TIMER0_CH1_ON, TIMER2_CH2, TIMER7_CH1_ON, SPI2_MOSI, I2S2_SD, USBHS_ULPI_D1, SDIO_D1, EVENTOUT Additional: ADC01_IN8, IREF
PB1	36	I/O	5VT	Default: PB1 Alternate: TIMER0_CH2_ON, TIMER2_CH3, TIMER7_CH2_ON, USBHS_ULPI_D2, SDIO_D2, EVENTOUT Additional: ADC01_IN9
PB2	37	I/O	5VT	Default: PB2, BOOT1 Alternate: TIMER1_CH3, SPI2_MOSI, I2S2_SD, USBHS_ULPI_D4, SDIO_CK, EVENTOUT
PE7	38	I/O	5VT	Default: PE7 Alternate: TIMER0_ETI, EVENTOUT

Pin Name	Pins	Pin Type <sup>(1)</sup>	I/O Level <sup>(2)</sup>	Functions description
PE8	39	I/O	5VT	Default: PE8 Alternate: TIMER0_CH0_ON, EVENTOUT
PE9	40	I/O	5VT	Default: PE9 Alternate: TIMER0_CH0, EVENTOUT
PE10	41	I/O	5VT	Default: PE10 Alternate: TIMER0_CH1_ON, EVENTOUT
PE11	42	I/O	5VT	Default: PE11 Alternate: TIMER0_CH1, EVENTOUT
PE12	43	I/O	5VT	Default: PE12 Alternate: TIMER0_CH2_ON, EVENTOUT
PE13	44	I/O	5VT	Default: PE13 Alternate: TIMER0_CH2, EVENTOUT
PE14	45	I/O	5VT	Default: PE14 Alternate: TIMER0_CH3, EVENTOUT
PE15	46	I/O	5VT	Default: PE15 Alternate: TIMER0_BRKIN, EVENTOUT
PB10	47	I/O	5VT	Default: PB10 Alternate: TIMER1_CH2, I2C1_SCL, SPI1_SCK, I2S1_CK, I2S2_MCK, USART2_TX, USBHS_ULPI_D3, SDIO_D7, EVENTOUT
PB11	48	I/O	5VT	Default: PB11 Alternate: TIMER1_CH3, I2C1_SDA, I2S_CKIN, USART2_RX, USBHS_ULPI_D4, EVENTOUT
NC	49	-	-	-
V <sub>DD</sub>	50	P	-	Default: V <sub>DD</sub>
PB12	51	I/O	5VT	Default: PB12 Alternate: TIMER0_BRKIN, I2C1_SMBA, SPI1_NSS, I2S1_WS, USART2_CK, CAN1_RX, USBHS_ULPI_D5, USBHS_ID, EVENTOUT
PB13	52	I/O	5VT	Default: PB13 Alternate: TIMER0_CH0_ON, SPI1_SCK, I2S1_CK, USART2_CTS, CAN1_TX, USBHS_ULPI_D6, EVENTOUT, I2C1_TXFRAME Additional: USBHS_VBUS
PB14	53	I/O	5VT	Default: PB14 Alternate: TIMER0_CH1_ON, TIMER7_CH1_ON, SPI1_MISO, I2S1_ADD_SD, USART2_RTS, TIMER11_CH0, USBHS_DM, EVENTOUT
PB15	54	I/O	5VT	Default: PB15 Alternate: RTC_REFIN, TIMER0_CH2_ON, TIMER7_CH2_ON, SPI1_MOSI, I2S1_SD, TIMER11_CH1, USBHS_DP, EVENTOUT

Pin Name	Pins	Pin Type <sup>(1)</sup>	I/O Level <sup>(2)</sup>	Functions description
PD8	55	I/O	5VT	Default: PD8 Alternate: USART2_TX, EVENTOUT
PD9	56	I/O	5VT	Default: PD9 Alternate: USART2_RX, EVENTOUT
PD10	57	I/O	5VT	Default: PD10 Alternate: USART2_CK, EVENTOUT
PD11	58	I/O	5VT	Default: PD11 Alternate: USART2_CTS, EVENTOUT
PD12	59	I/O	5VT	Default: PD12 Alternate: TIMER3_CH0, USART2_RTS, EVENTOUT
PD13	60	I/O	5VT	Default: PD13 Alternate: TIMER3_CH1, EVENTOUT
PD14	61	I/O	5VT	Default: PD14 Alternate: TIMER3_CH2, EVENTOUT
PD15	62	I/O	5VT	Default: PD15 Alternate: TIMER3_CH3, EVENTOUT, CTC_SYNC
PC6	63	I/O	5VT	Default: PC6 Alternate: TIMER2_CH0, TIMER7_CH0, I2S1_MCK, USART5_TX, SDIO_D6, DCI_D0, EVENTOUT
PC7	64	I/O	5VT	Default: PC7 Alternate: TIMER2_CH1, TIMER7_CH1, SPI1_SCK, I2S1_CK, I2S2_MCK, USART5_RX, SDIO_D7, DCI_D1, EVENTOUT
PC8	65	I/O	5VT	Default: PC8 Alternate: TRACED0, TIMER2_CH2, TIMER7_CH2, USART5_CK, SDIO_D0, DCI_D2, EVENTOUT
PC9	66	I/O	5VT	Default: PC9 Alternate: CK_OUT1, TIMER2_CH3, TIMER7_CH3, I2C2_SDA, I2S_CKIN, SDIO_D1, DCI_D3, EVENTOUT
PA8	67	I/O	5VT	Default: PA8 Alternate: CK_OUT0, TIMER0_CH0, I2C2_SCL, USART0_CK, USBFS_SOF, SDIO_D1, EVENTOUT, CTC_SYNC
PA9	68	I/O	5VT	Default: PA9 Alternate: TIMER0_CH1, I2C2_SMBA, SPI1_SCK, I2S1_CK, USART0_TX, SDIO_D2, DCI_D0, EVENTOUT Additional: USBFS_VBUS
PA10	69	I/O	5VT	Default: PA10 Alternate: TIMER0_CH2, USART0_RX, USBFS_ID, DCI_D1, EVENTOUT, I2C2_TXFRAME
PA11	70	I/O	5VT	Default: PA11 Alternate: TIMER0_CH3, USART0_CTS, USART5_TX, CAN0_RX, USBFS_DM, EVENTOUT
PA12	71	I/O	5VT	Default: PA12

Pin Name	Pins	Pin Type <sup>(1)</sup>	I/O Level <sup>(2)</sup>	Functions description
				Alternate: TIMER0_ETI, USART0_RTS, USART5_RX, CAN0_TX, USBFS_DP, EVENTOUT
PA13	72	I/O	5VT	Default: JTMS, SWDIO, PA13 Alternate: EVENTOUT
NC	73	-	-	-
V <sub>SS</sub>	74	P	-	Default: V <sub>SS</sub>
V <sub>DD</sub>	75	P	-	Default: V <sub>DD</sub>
PA14	76	I/O	5VT	Default: JTCK, SWCLK, PA14 Alternate: EVENTOUT
PA15	77	I/O	5VT	Default: JTDI, PA15 Alternate: TIMER1_CH0, TIMER1_ETI, SPI0_NSS, SPI2_NSS, I2S2_WS, USART0_TX, EVENTOUT
PC10	78	I/O	5VT	Default: PC10 Alternate: SPI2_SCK, I2S2_CK, USART2_TX, UART3_TX, SDIO_D2, DCI_D8, EVENTOUT
PC11	79	I/O	5VT	Default: PC11 Alternate: I2S2_ADD_SD, SPI2_MISO, USART2_RX, UART3_RX, SDIO_D3, DCI_D4, EVENTOUT
PC12	80	I/O	5VT	Default: PC12 Alternate: I2C1_SDA, SPI2_MOSI, I2S2_SD, USART2_CK, UART4_TX, SDIO_CK, DCI_D9, EVENTOUT
PD0	81	I/O	5VT	Default: PD0 Alternate: SPI2_MOSI, I2S2_SD, CAN0_RX, EVENTOUT
PD1	82	I/O	5VT	Default: PD1 Alternate: SPI1_NSS, I2S1_WS, CAN0_TX, EVENTOUT
PD2	83	I/O	5VT	Default: PD2 Alternate: TIMER2_ETI, UART4_RX, SDIO_CMD, DCI_D11, EVENTOUT
PD3	84	I/O	5VT	Default: PD3 Alternate: TRACED1, SPI1_SCK, I2S1_CK, USART1_CTS, DCI_D5, EVENTOUT
PD4	85	I/O	5VT	Default: PD4 Alternate: USART1_RTS, EVENTOUT
PD5	86	I/O	5VT	Default: PD5 Alternate: USART1_TX, EVENTOUT
PD6	87	I/O	5VT	Default: PD6 Alternate: SPI2_MOSI, I2S2_SD, USART1_RX, DCI_D10, EVENTOUT
PD7	88	I/O	5VT	Default: PD7 Alternate: USART1_CK, EVENTOUT
PB3	89	I/O	5VT	Default: JTDO, PB3 Alternate: TRACESWO, TIMER1_CH1, SPI0_SCK, SPI2_SCK,

Pin Name	Pins	Pin Type <sup>(1)</sup>	I/O Level <sup>(2)</sup>	Functions description
				I2S2_CK, USART0_RX, I2C1_SDA, EVENTOUT
PB4	90	I/O	5VT	Default: NJTRST, PB4 Alternate: TIMER2_CH0, SPI0_MISO, SPI2_MISO, I2S2_ADD_SD, I2C2_SDA, SDIO_D0, EVENTOUT, I2C0_TXFRAME
PB5	91	I/O	5VT	Default: PB5 Alternate: TIMER2_CH1, I2C0_SMBA, SPI0_MOSI, SPI2_MOSI, I2S2_SD, CAN1_RX, USBHS_ULPI_D7, DCI_D10, EVENTOUT
PB6	92	I/O	5VT	Default: PB6 Alternate: TIMER3_CH0, I2C0_SCL, USART0_TX, CAN1_TX, DCI_D5, EVENTOUT
PB7	93	I/O	5VT	Default: PB7 Alternate: TIMER3_CH1, I2C0_SDA, USART0_RX, DCI_VSYNC, EVENTOUT
BOOT0	94	I/O	5VT	Default: BOOT0
PB8	95	I/O	5VT	Default: PB8 Alternate: TIMER1_CH0, TIMER1_ETI, TIMER3_CH2, TIMER9_CH0, I2C0_SCL, CAN0_RX, SDIO_D4, DCI_D6, EVENTOUT
PB9	96	I/O	5VT	Default: PB9 Alternate: TIMER1_CH1, TIMER3_CH3, TIMER10_CH0, I2C0_SDA, SPI1_NSS, I2S1_WS, CAN0_TX, SDIO_D5, DCI_D7, EVENTOUT
PE0	97	I/O	5VT	Default: PE0 Alternate: TIMER3_ETI, DCI_D2, EVENTOUT
PE1	98	I/O	5VT	Default: PE1 Alternate: TIMER0_CH1_ON, DCI_D3, EVENTOUT
V <sub>SS</sub>	99	P	-	Default: V <sub>SS</sub>
V <sub>DD</sub>	100	P	-	Default: V <sub>DD</sub>

**Notes:**

(1) Type: I = input, O = output, P = power.

(2) I/O Level: 5VT = 5 V tolerant.

### 2.6.3. GD32F425Vx BGA100 pin definitions

**Table 2-5. GD32F425Vx BGA100 pin definitions**

Pin Name	Pins	Pin Type <sup>(1)</sup>	I/O Level <sup>(2)</sup>	Functions description
PE2	B2	I/O	5VT	Default: PE2 Alternate: TRACECK, EVENTOUT
PE3	A1	I/O	5VT	Default: PE3



Pin Name	Pins	Pin Type <sup>(1)</sup>	I/O Level <sup>(2)</sup>	Functions description
				Alternate: TRACED0, EVENTOUT
PE4	B1	I/O	5VT	Default: PE4 Alternate: TRACED1, DCI_D4, EVENTOUT
PE5	C2	I/O	5VT	Default: PE5 Alternate: TRACED2, TIMER8_CH0, DCI_D6, EVENTOUT
PE6	D2	I/O	5VT	Default: PE6 Alternate: TRACED3, TIMER8_CH1, DCI_D7, EVENTOUT
V <sub>BAT</sub>	E2	P	-	Default: V <sub>BAT</sub>
PC13-TAMPER-RTC	C1	I/O	5VT	Default: PC13 Alternate: EVENTOUT Additional: RTC_TAMP0, RTC_OUT, RTC_TS
PC14-OSC32IN	D1	I/O	5VT	Default: PC14 Alternate: EVENTOUT Additional: OSC32IN
PC15-OSC32OUT	E1	I/O	5VT	Default: PC15 Alternate: EVENTOUT Additional: OSC32OUT
V <sub>SS</sub>	F2	P	-	Default: V <sub>SS</sub>
V <sub>DD</sub>	G2	P	-	Default: V <sub>DD</sub>
PH0	F1	I/O	5VT	Default: PH0, OSCIN Alternate: EVENTOUT Additional: OSCIN
PH1	G1	I/O	5VT	Default: PH1, OSCOUT Alternate: EVENTOUT Additional: OSCOUT
NRST	H2	-	-	Default: NRST
PC0	H1	I/O	5VT	Default: PC0 Alternate: USBHS_ULPI_STP, EVENTOUT Additional: ADC012_IN10
PC1	J2	I/O	5VT	Default: PC1 Alternate: SPI2_MOSI, I2S2_SD, SPI1_MOSI, I2S1_SD, EVENTOUT Additional: ADC012_IN11
PC2	J3	I/O	5VT	Default: PC2 Alternate: SPI1_MISO, I2S1_ADD_SD, USBHS_ULPI_DIR, EVENTOUT Additional: ADC012_IN12
PC3	K2	I/O	5VT	Default: PC3 Alternate: SPI1_MOSI, I2S1_SD, USBHS_ULPI_NXT, EVENTOUT Additional: ADC012_IN13
V <sub>SSA</sub>	J1	P	-	Default: V <sub>SSA</sub>

Pin Name	Pins	Pin Type <sup>(1)</sup>	I/O Level <sup>(2)</sup>	Functions description
VREFN	K1	P	-	Default: VREF-
VREFP	L1	P	-	Default: VREF+
VDDA	M1	P	-	Default: VDDA
PA0-WKUP	L2	I/O	5VT	Default: PA0 Alternate: TIMER1_CH0, TIMER1_ETI, TIMER4_CH0, TIMER7_ETI, USART1_CTS, UART3_TX, EVENTOUT Additional: ADC012_IN0, WKUP
PA1	M2	I/O	5VT	Default: PA1 Alternate: TIMER1_CH1, TIMER4_CH1, USART1_RTS, UART3_RX, EVENTOUT Additional: ADC012_IN1
PA2	K3	I/O	5VT	Default: PA2 Alternate: TIMER1_CH2, TIMER4_CH2, TIMER8_CH0, I2S_CKIN, USART1_TX, EVENTOUT Additional: ADC012_IN2
PA3	L3	I/O	5VT	Default: PA3 Alternate: TIMER1_CH3, TIMER4_CH3, TIMER8_CH1, I2S1_MCK, USART1_RX, USBHS_ULPI_D0, EVENTOUT Additional: ADC012_IN3
NC	E3	-	-	-
PA4	M3	I/O		Default: PA4 Alternate: SPI0_NSS, SPI2_NSS, I2S2_WS, USART1_CK, USBHS_SOF, DCI_HSYNC, EVENTOUT Additional: ADC01_IN4, DAC_OUT0
PA5	K4	I/O		Default: PA5 Alternate: TIMER1_CH0, TIMER1_ETI, TIMER7_CH0_ON, SPI0_SCK, USBHS_ULPI_CK, EVENTOUT Additional: ADC01_IN5, DAC_OUT1
PA6	L4	I/O	5VT	Default: PA6 Alternate: TIMER0_BRKIN, TIMER2_CH0, TIMER7_BRKIN, SPI0_MISO, I2S1_MCK, TIMER12_CH0, SDIO_CMD, DCI_PIXCLK, EVENTOUT Additional: ADC01_IN6
PA7	M4	I/O	5VT	Default: PA7 Alternate: TIMER0_CH0_ON, TIMER2_CH1, TIMER7_CH0_ON, SPI0_MOSI, TIMER13_CH0, EVENTOUT Additional: ADC01_IN7
PC4	K5	I/O	5VT	Default: PC4 Alternate: EVENTOUT Additional: ADC01_IN14
PC5	L5	I/O	5VT	Default: PC5 Alternate: USART2_RX, EVENTOUT

Pin Name	Pins	Pin Type <sup>(1)</sup>	I/O Level <sup>(2)</sup>	Functions description
				Additional: ADC01_IN15
PB0	M5	I/O	5VT	Default: PB0 Alternate: TIMER0_CH1_ON, TIMER2_CH2, TIMER7_CH1_ON, SPI2_MOSI, I2S2_SD, USBHS_ULPI_D1, SDIO_D1, EVENTOUT Additional: ADC01_IN8, IREF
PB1	M6	I/O	5VT	Default: PB1 Alternate: TIMER0_CH2_ON, TIMER2_CH3, TIMER7_CH2_ON, USBHS_ULPI_D2, SDIO_D2, EVENTOUT Additional: ADC01_IN9
PB2	L6	I/O	5VT	Default: PB2, BOOT1 Alternate: TIMER1_CH3, SPI2_MOSI, I2S2_SD, USBHS_ULPI_D4, SDIO_CK, EVENTOUT
PE7	M7	I/O	5VT	Default: PE7 Alternate: TIMER0_ETI, EVENTOUT
PE8	L7	I/O	5VT	Default: PE8 Alternate: TIMER0_CH0_ON, EVENTOUT
PE9	M8	I/O	5VT	Default: PE9 Alternate: TIMER0_CH0, EVENTOUT
PE10	L8	I/O	5VT	Default: PE10 Alternate: TIMER0_CH1_ON, EVENTOUT
PE11	M9	I/O	5VT	Default: PE11 Alternate: TIMER0_CH1, EVENTOUT
PE12	L9	I/O	5VT	Default: PE12 Alternate: TIMER0_CH2_ON, EVENTOUT
PE13	M10	I/O	5VT	Default: PE13 Alternate: TIMER0_CH2, EVENTOUT
PE14	M11	I/O	5VT	Default: PE14 Alternate: TIMER0_CH3, EVENTOUT
PE15	M12	I/O	5VT	Default: PE15 Alternate: TIMER0_BRKIN, EVENTOUT
PB10	L10	I/O	5VT	Default: PB10 Alternate: TIMER1_CH2, I2C1_SCL, SPI1_SCK, I2S1_CK, I2S2_MCK, USART2_TX, USBHS_ULPI_D3, SDIO_D7, EVENTOUT
PB11	K9	I/O	5VT	Default: PB11 Alternate: TIMER1_CH3, I2C1_SDA, I2S_CKIN, USART2_RX, USBHS_ULPI_D4, EVENTOUT
NC	L11	-	-	-
V <sub>SS</sub>	F12	P	-	Default: V <sub>SS</sub>
V <sub>DD</sub>	G12	P	-	Default: V <sub>DD</sub>
PB12	L12	I/O	5VT	Default: PB12

Pin Name	Pins	Pin Type <sup>(1)</sup>	I/O Level <sup>(2)</sup>	Functions description
				Alternate: TIMER0_BRKIN, I2C1_SMBA, SPI1_NSS, I2S1_WS, USART2_CK, CAN1_RX, USBHS_ULPI_D5, USBHS_ID, EVENTOUT
PB13	K12	I/O	5VT	Default: PB13 Alternate: TIMER0_CH0_ON, SPI1_SCK, I2S1_CK, USART2_CTS, CAN1_TX, USBHS_ULPI_D6, EVENTOUT, I2C1_TXFRAME Additional: USBHS_VBUS
PB14	K11	I/O	5VT	Default: PB14 Alternate: TIMER0_CH1_ON, TIMER7_CH1_ON, SPI1_MISO, I2S1_ADD_SD, USART2_RTS, TIMER11_CH0, USBHS_DM, EVENTOUT
PB15	K10	I/O	5VT	Default: PB15 Alternate: RTC_REFIN, TIMER0_CH2_ON, TIMER7_CH2_ON, SPI1_MOSI, I2S1_SD, TIMER11_CH1, USBHS_DP, EVENTOUT
PD9	K8	I/O	5VT	Default: PD9 Alternate: USART2_RX, EVENTOUT
PD10	J12	I/O	5VT	Default: PD10 Alternate: USART2_CK, EVENTOUT
PD11	J11	I/O	5VT	Default: PD11 Alternate: USART2_CTS, EVENTOUT
PD12	J10	I/O	5VT	Default: PD12 Alternate: TIMER3_CH0, USART2_RTS, EVENTOUT
PD13	H12	I/O	5VT	Default: PD13 Alternate: TIMER3_CH1, EVENTOUT
PD14	H11	I/O	5VT	Default: PD14 Alternate: TIMER3_CH2, EVENTOUT
PD15	H10	I/O	5VT	Default: PD15 Alternate: TIMER3_CH3, EVENTOUT, CTC_SYNC
PC6	E12	I/O	5VT	Default: PC6 Alternate: TIMER2_CH0, TIMER7_CH0, I2S1_MCK, USART5_TX, SDIO_D6, DCI_D0, EVENTOUT
PC7	E11	I/O	5VT	Default: PC7 Alternate: TIMER2_CH1, TIMER7_CH1, SPI1_SCK, I2S1_CK, I2S2_MCK, USART5_RX, SDIO_D7, DCI_D1, EVENTOUT
PC8	E10	I/O	5VT	Default: PC8 Alternate: TRACED0, TIMER2_CH2, TIMER7_CH2, USART5_CK, SDIO_D0, DCI_D2, EVENTOUT
PC9	D12	I/O	5VT	Default: PC9 Alternate: CK_OUT1, TIMER2_CH3, TIMER7_CH3, I2C2_SDA, I2S_CKIN, SDIO_D1, DCI_D3, EVENTOUT

Pin Name	Pins	Pin Type <sup>(1)</sup>	I/O Level <sup>(2)</sup>	Functions description
PA8	D11	I/O	5VT	Default: PA8 Alternate: CK_OUT0, TIMER0_CH0, I2C2_SCL, USART0_CK, USBFS_SOF, SDIO_D1, EVENTOUT, CTC_SYNC
PA9	D10	I/O	5VT	Default: PA9 Alternate: TIMER0_CH1, I2C2_SMBA, SPI1_SCK, I2S1_CK, USART0_TX, SDIO_D2, DCI_D0, EVENTOUT Additional: USBFS_VBUS
PA10	C12	I/O	5VT	Default: PA10 Alternate: TIMER0_CH2, USART0_RX, USBFS_ID, DCI_D1, EVENTOUT, I2C2_TXFRAME
PA11	B12	I/O	5VT	Default: PA11 Alternate: TIMER0_CH3, USART0_CTS, USART5_TX, CAN0_RX, USBFS_DM, EVENTOUT
PA12	A12	I/O	5VT	Default: PA12 Alternate: TIMER0_ETI, USART0_RTS, USART5_RX, CAN0_TX, USBFS_DP, EVENTOUT
PA13	A11	I/O	5VT	Default: JTMS, SWDIO, PA13 Alternate: EVENTOUT
NC	C11	-	-	-
V <sub>SS</sub>	F11	P	-	Default: V <sub>SS</sub>
V <sub>DD</sub>	G11	P	-	Default: V <sub>DD</sub>
PA14	A10	I/O	5VT	Default: JTCK, SWCLK, PA14 Alternate: EVENTOUT
PA15	A9	I/O	5VT	Default: JTDI, PA15 Alternate: TIMER1_CH0, TIMER1_ETI, SPI0_NSS, SPI2_NSS, I2S2_WS, USART0_TX, EVENTOUT
PC10	B11	I/O	5VT	Default: PC10 Alternate: SPI2_SCK, I2S2_CK, USART2_TX, UART3_TX, SDIO_D2, DCI_D8, EVENTOUT
PC11	C10	I/O	5VT	Default: PC11 Alternate: I2S2_ADD_SD, SPI2_MISO, USART2_RX, UART3_RX, SDIO_D3, DCI_D4, EVENTOUT
PC12	B10	I/O	5VT	Default: PC12 Alternate: I2C1_SDA, SPI2_MOSI, I2S2_SD, USART2_CK, UART4_TX, SDIO_CK, DCI_D9, EVENTOUT
PD0	C9	I/O	5VT	Default: PD0 Alternate: SPI2_MOSI, I2S2_SD, CAN0_RX, EVENTOUT
PD1	B9	I/O	5VT	Default: PD1 Alternate: SPI1_NSS, I2S1_WS, CAN0_TX, EVENTOUT
PD2	C8	I/O	5VT	Default: PD2 Alternate: TIMER2_ETI, UART4_RX, SDIO_CMD, DCI_D11, EVENTOUT

Pin Name	Pins	Pin Type <sup>(1)</sup>	I/O Level <sup>(2)</sup>	Functions description
PD3	B8	I/O	5VT	Default: PD3 Alternate: TRACED1, SPI1_SCK, I2S1_CK, USART1_CTS, DCI_D5, EVENTOUT
PD4	B7	I/O	5VT	Default: PD4 Alternate: USART1_RTS, EVENTOUT
PD5	A6	I/O	5VT	Default: PD5 Alternate: USART1_TX, EVENTOUT
PD6	B6	I/O	5VT	Default: PD6 Alternate: SPI2_MOSI, I2S2_SD, USART1_RX, DCI_D10, EVENTOUT
PD7	A5	I/O	5VT	Default: PD7 Alternate: USART1_CK, EVENTOUT
PB3	A8	I/O	5VT	Default: JTDO, PB3 Alternate: TRACESWO, TIMER1_CH1, SPI0_SCK, SPI2_SCK, I2S2_CK, USART0_RX, I2C1_SDA, EVENTOUT
PB4	A7	I/O	5VT	Default: NJTRST, PB4 Alternate: TIMER2_CH0, SPI0_MISO, SPI2_MISO, I2S2_ADD_SD, I2C2_SDA, SDIO_D0, EVENTOUT, I2C0_TXFRAME
PB5	C5	I/O	5VT	Default: PB5 Alternate: TIMER2_CH1, I2C0_SMBA, SPI0_MOSI, SPI2_MOSI, I2S2_SD, CAN1_RX, USBHS_ULPI_D7, DCI_D10, EVENTOUT
PB6	B5	I/O	5VT	Default: PB6 Alternate: TIMER3_CH0, I2C0_SCL, USART0_TX, CAN1_TX, DCI_D5, EVENTOUT
PB7	B4	I/O	5VT	Default: PB7 Alternate: TIMER3_CH1, I2C0_SDA, USART0_RX, DCI_VSYNC, EVENTOUT
BOOT0	A4	I/O	5VT	Default: BOOT0
PB8	A3	I/O	5VT	Default: PB8 Alternate: TIMER1_CH0, TIMER1_ETI, TIMER3_CH2, TIMER9_CH0, I2C0_SCL, CAN0_RX, SDIO_D4, DCI_D6, EVENTOUT
PB9	B3	I/O	5VT	Default: PB9 Alternate: TIMER1_CH1, TIMER3_CH3, TIMER10_CH0, I2C0_SDA, SPI1_NSS, I2S1_WS, CAN0_TX, SDIO_D5, DCI_D7, EVENTOUT
PE0	C3	I/O	5VT	Default: PE0 Alternate: TIMER3_ETI, DCI_D2, EVENTOUT
PE1	A2	I/O	5VT	Default: PE1 Alternate: TIMER0_CH1_ON, DCI_D3, EVENTOUT

Pin Name	Pins	Pin Type <sup>(1)</sup>	I/O Level <sup>(2)</sup>	Functions description
V <sub>SS</sub>	D3	P	-	Default: V <sub>SS</sub>
PDR_ON	H3	P	-	Default: PDR_ON
V <sub>DD</sub>	C4	P	-	Default: V <sub>DD</sub>

**Notes:**

(1) Type: I = input, O = output, P = power.

(2) I/O Level: 5VT = 5 V tolerant.

## 2.6.4. GD32F425Rx LQFP64 pin definitions

**Table 2-6. GD32F425Rx LQFP64 pin definitions**

Pin Name	Pins	Pin Type <sup>(1)</sup>	I/O Level <sup>(2)</sup>	Functions description
V <sub>BAT</sub>	1	P	-	Default: V <sub>BAT</sub>
PC13-TAMPER-RTC	2	I/O	5VT	Default: PC13 Alternate: EVENTOUT Additional: RTC_TAMP0, RTC_OUT, RTC_TS
PC14-OSC32IN	3	I/O	5VT	Default: PC14 Alternate: EVENTOUT Additional: OSC32IN
PC15-OSC32OUT	4	I/O	5VT	Default: PC15 Alternate: EVENTOUT Additional: OSC32OUT
PH0	5	I/O	5VT	Default: PH0, OSCIN Alternate: EVENTOUT Additional: OSCIN
PH1	6	I/O	5VT	Default: PH1, OSCOUT Alternate: EVENTOUT Additional: OSCOUT
NRST	7	-	-	Default: NRST
PC0	8	I/O	5VT	Default: PC0 Alternate: USBHS_ULPI_STP, EVENTOUT Additional: ADC012_IN10
PC1	9	I/O	5VT	Default: PC1 Alternate: SPI2_MOSI, I2S2_SD, SPI1_MOSI, I2S1_SD, EVENTOUT Additional: ADC012_IN11
PC2	10	I/O	5VT	Default: PC2 Alternate: SPI1_MISO, I2S1_ADD_SD, USBHS_ULPI_DIR, EVENTOUT Additional: ADC012_IN12
PC3	11	I/O	5VT	Default: PC3

Pin Name	Pins	Pin Type <sup>(1)</sup>	I/O Level <sup>(2)</sup>	Functions description
				Alternate: SPI1_MOSI, I2S1_SD, USBHS_ULPI_NXT, EVENTOUT Additional: ADC012_IN13
V <sub>SSA</sub>	12	P	-	Default: V <sub>SSA</sub>
V <sub>DDA</sub>	13	P	-	Default: V <sub>DDA</sub>
PA0-WKUP	14	I/O	5VT	Default: PA0 Alternate: TIMER1_CH0, TIMER1_ETI, TIMER4_CH0, TIMER7_ETI, USART1_CTS, UART3_TX, EVENTOUT Additional: ADC012_IN0, WKUP
PA1	15	I/O	5VT	Default: PA1 Alternate: TIMER1_CH1, TIMER4_CH1, USART1_RTS, UART3_RX, EVENTOUT Additional: ADC012_IN1
PA2	16	I/O	5VT	Default: PA2 Alternate: TIMER1_CH2, TIMER4_CH2, TIMER8_CH0, I2S_CKIN, USART1_TX, EVENTOUT Additional: ADC012_IN2
PA3	17	I/O	5VT	Default: PA3 Alternate: TIMER1_CH3, TIMER4_CH3, TIMER8_CH1, I2S1_MCK, USART1_RX, USBHS_ULPI_D0, EVENTOUT Additional: ADC012_IN3
V <sub>SS</sub>	18	P	-	Default: V <sub>SS</sub>
V <sub>DD</sub>	19	P	-	Default: V <sub>DD</sub>
PA4	20	I/O		Default: PA4 Alternate: SPI0_NSS, SPI2_NSS, I2S2_WS, USART1_CK, USBHS_SOF, DCI_HSYNC, EVENTOUT Additional: ADC01_IN4, DAC_OUT0
PA5	21	I/O		Default: PA5 Alternate: TIMER1_CH0, TIMER1_ETI, TIMER7_CH0_ON, SPI0_SCK, USBHS_ULPI_CK, EVENTOUT Additional: ADC01_IN5, DAC_OUT1
PA6	22	I/O	5VT	Default: PA6 Alternate: TIMER0_BRKIN, TIMER2_CH0, TIMER7_BRKIN, SPI0_MISO, I2S1_MCK, TIMER12_CH0, SDIO_CMD, DCI_PIXCLK, EVENTOUT Additional: ADC01_IN6
PA7	23	I/O	5VT	Default: PA7 Alternate: TIMER0_CH0_ON, TIMER2_CH1, TIMER7_CH0_ON, SPI0_MOSI, TIMER13_CH0, EVENTOUT Additional: ADC01_IN7
PC4	24	I/O	5VT	Default: PC4 Alternate: EVENTOUT



Pin Name	Pins	Pin Type <sup>(1)</sup>	I/O Level <sup>(2)</sup>	Functions description
				Additional: ADC01_IN14
PC5	25	I/O	5VT	Default: PC5 Alternate: USART2_RX, EVENTOUT Additional: ADC01_IN15
PB0	26	I/O	5VT	Default: PB0 Alternate: TIMER0_CH1_ON, TIMER2_CH2, TIMER7_CH1_ON, SPI2_MOSI, I2S2_SD, USBHS_ULPI_D1, SDIO_D1, EVENTOUT Additional: ADC01_IN8, IREF
PB1	27	I/O	5VT	Default: PB1 Alternate: TIMER0_CH2_ON, TIMER2_CH3, TIMER7_CH2_ON, USBHS_ULPI_D2, SDIO_D2, EVENTOUT Additional: ADC01_IN9
PB2	28	I/O	5VT	Default: PB2, BOOT1 Alternate: TIMER1_CH3, SPI2_MOSI, I2S2_SD, USBHS_ULPI_D4, SDIO_CK, EVENTOUT
PB10	29	I/O	5VT	Default: PB10 Alternate: TIMER1_CH2, I2C1_SCL, SPI1_SCK, I2S1_CK, I2S2_MCK, USART2_TX, USBHS_ULPI_D3, SDIO_D7, EVENTOUT
PB11	30	I/O	5VT	Default: PB11 Alternate: TIMER1_CH3, I2C1_SDA, I2S_CKIN, USART2_RX, USBHS_ULPI_D4, EVENTOUT
NC	31	-	-	-
V <sub>DD</sub>	32	P	-	Default: V <sub>DD</sub>
PB12	33	I/O	5VT	Default: PB12 Alternate: TIMER0_BRKIN, I2C1_SMBA, SPI1_NSS, I2S1_WS, USART2_CK, CAN1_RX, USBHS_ULPI_D5, USBHS_ID, EVENTOUT
PB13	34	I/O	5VT	Default: PB13 Alternate: TIMER0_CH0_ON, SPI1_SCK, I2S1_CK, USART2_CTS, CAN1_TX, USBHS_ULPI_D6, EVENTOUT, I2C1_TXFRAME Additional: USBHS_VBUS
PB14	35	I/O	5VT	Default: PB14 Alternate: TIMER0_CH1_ON, TIMER7_CH1_ON, SPI1_MISO, I2S1_ADD_SD, USART2_RTS, TIMER11_CH0, USBHS_DM, EVENTOUT
PB15	36	I/O	5VT	Default: PB15 Alternate: RTC_REFIN, TIMER0_CH2_ON, TIMER7_CH2_ON, SPI1_MOSI, I2S1_SD, TIMER11_CH1, USBHS_DP, EVENTOUT
PC6	37	I/O	5VT	Default: PC6

Pin Name	Pins	Pin Type <sup>(1)</sup>	I/O Level <sup>(2)</sup>	Functions description
				Alternate: TIMER2_CH0, TIMER7_CH0, I2S1_MCK, USART5_TX, SDIO_D6, DCI_D0, EVENTOUT
PC7	38	I/O	5VT	Default: PC7 Alternate: TIMER2_CH1, TIMER7_CH1, SPI1_SCK, I2S1_CK, I2S2_MCK, USART5_RX, SDIO_D7, DCI_D1, EVENTOUT
PC8	39	I/O	5VT	Default: PC8 Alternate: TRACED0, TIMER2_CH2, TIMER7_CH2, USART5_CK, SDIO_D0, DCI_D2, EVENTOUT
PC9	40	I/O	5VT	Default: PC9 Alternate: CK_OUT1, TIMER2_CH3, TIMER7_CH3, I2C2_SDA, I2S_CKIN, SDIO_D1, DCI_D3, EVENTOUT
PA8	41	I/O	5VT	Default: PA8 Alternate: CK_OUT0, TIMER0_CH0, I2C2_SCL, USART0_CK, USBFS_SOF, SDIO_D1, EVENTOUT, CTC_SYNC
PA9	42	I/O	5VT	Default: PA9 Alternate: TIMER0_CH1, I2C2_SMBA, SPI1_SCK, I2S1_CK, USART0_TX, SDIO_D2, DCI_D0, EVENTOUT Additional: USBFS_VBUS
PA10	43	I/O	5VT	Default: PA10 Alternate: TIMER0_CH2, USART0_RX, USBFS_ID, DCI_D1, EVENTOUT, I2C2_TXFRAME
PA11	44	I/O	5VT	Default: PA11 Alternate: TIMER0_CH3, USART0_CTS, USART5_TX, CAN0_RX, USBFS_DM, EVENTOUT
PA12	45	I/O	5VT	Default: PA12 Alternate: TIMER0_ETI, USART0_RTS, USART5_RX, CAN0_TX, USBFS_DP, EVENTOUT
PA13	46	I/O	5VT	Default: JTMS, SWDIO, PA13 Alternate: EVENTOUT
NC	47	-	-	-
V <sub>SS</sub>	-	P	-	Default: V <sub>SS</sub>
V <sub>DD</sub>	48	P	-	Default: V <sub>DD</sub>
PA14	49	I/O	5VT	Default: JTCK, SWCLK, PA14 Alternate: EVENTOUT
PA15	50	I/O	5VT	Default: JTDI, PA15 Alternate: TIMER1_CH0, TIMER1_ETI, SPI0_NSS, SPI2_NSS, I2S2_WS, USART0_TX, EVENTOUT
PC10	51	I/O	5VT	Default: PC10 Alternate: SPI2_SCK, I2S2_CK, USART2_TX, UART3_TX, SDIO_D2, DCI_D8, EVENTOUT
PC11	52	I/O	5VT	Default: PC11 Alternate: I2S2_ADD_SD, SPI2_MISO, USART2_RX,

Pin Name	Pins	Pin Type <sup>(1)</sup>	I/O Level <sup>(2)</sup>	Functions description
				UART3_RX, SDIO_D3, DCI_D4, EVENTOUT
PC12	53	I/O	5VT	Default: PC12 Alternate: I2C1_SDA, SPI2_MOSI, I2S2_SD, USART2_CK, UART4_TX, SDIO_CK, DCI_D9, EVENTOUT
PD2	54	I/O	5VT	Default: PD2 Alternate: TIMER2_ETI, UART4_RX, SDIO_CMD, DCI_D11, EVENTOUT
PB3	55	I/O	5VT	Default: JTDO, PB3 Alternate: TRACESWO, TIMER1_CH1, SPI0_SCK, SPI2_SCK, I2S2_CK, USART0_RX, I2C1_SDA, EVENTOUT
PB4	56	I/O	5VT	Default: NJTRST, PB4 Alternate: TIMER2_CH0, SPI0_MISO, SPI2_MISO, I2S2_ADD_SD, I2C2_SDA, SDIO_D0, EVENTOUT, I2C0_TXFRAME
PB5	57	I/O	5VT	Default: PB5 Alternate: TIMER2_CH1, I2C0_SMBA, SPI0_MOSI, SPI2_MOSI, I2S2_SD, CAN1_RX, USBHS_ULPI_D7, DCI_D10, EVENTOUT
PB6	58	I/O	5VT	Default: PB6 Alternate: TIMER3_CH0, I2C0_SCL, USART0_TX, CAN1_TX, DCI_D5, EVENTOUT
PB7	59	I/O	5VT	Default: PB7 Alternate: TIMER3_CH1, I2C0_SDA, USART0_RX, DCI_VSYNC, EVENTOUT
BOOT0	60	I/O	5VT	Default: BOOT0
PB8	61	I/O	5VT	Default: PB8 Alternate: TIMER1_CH0, TIMER1_ETI, TIMER3_CH2, TIMER9_CH0, I2C0_SCL, CAN0_RX, SDIO_D4, DCI_D6, EVENTOUT
PB9	62	I/O	5VT	Default: PB9 Alternate: TIMER1_CH1, TIMER3_CH3, TIMER10_CH0, I2C0_SDA, SPI1_NSS, I2S1_WS, CAN0_TX, SDIO_D5, DCI_D7, EVENTOUT
V <sub>SS</sub>	63	P	-	Default: V <sub>SS</sub>
V <sub>DD</sub>	64	P	-	Default: V <sub>DD</sub>

**Notes:**

(1) Type: I = input, O = output, P = power.

(2) I/O Level: 5VT = 5 V tolerant.



**Table 2-8. Port B alternate functions summary**

Pin Name	AF0	AF1	AF2	AF3	AF4	AF5	AF6	AF7	AF8	AF9	AF10	AF11	AF12	AF13	AF14	AF15
PB0		TIMER0_C H1_ON	TIMER2_C H2	TIMER7_C H1_ON				SPI2_MO SI/I2S2_S D			USBHS_U LPI_D1		SDIO_D1			EVENTOU T
PB1		TIMER0_C H2_ON	TIMER2_C H3	TIMER7_C H2_ON							USBHS_U LPI_D2		SDIO_D2			EVENTOU T
PB2		TIMER1_C H3						SPI2_MO SI/I2S2_S D			USBHS_U LPI_D4		SDIO_CK			EVENTOU T
PB3	JTDO/TRA CESWO	TIMER1_C H1				SPI0_SCK	SPI2_SCK /I2S2_CK	USART0_ RX		I2C1_SDA						EVENTOU T
PB4	NJTRST		TIMER2_C H0		I2C0_TXF RAME	SPI0_MIS O	SPI2_MIS O	I2S2_ADD _SD		I2C2_SDA			SDIO_D0			EVENTOU T
PB5			TIMER2_C H1		I2C0_SMB A	SPI0_MO SI	SPI2_MO SI/I2S2_S D			CAN1_RX	USBHS_U LPI_D7			DCI_D10		EVENTOU T
PB6			TIMER3_C H0		I2C0_SCL			USART0_ TX		CAN1_TX				DCI_D5		EVENTOU T
PB7			TIMER3_C H1		I2C0_SDA			USART0_ RX						DCI_VSY NC		EVENTOU T
PB8		TIMER1_C H0/TIMER 1_ETI	TIMER3_C H2	TIMER9_C H0	I2C0_SCL					CAN0_RX			SDIO_D4	DCI_D6		EVENTOU T
PB9		TIMER1_C H1	TIMER3_C H3	TIMER10_ CH0	I2C0_SDA	SPI1_NSS /I2S1_WS				CAN0_TX			SDIO_D5	DCI_D7		EVENTOU T
PB10		TIMER1_C H2			I2C1_SCL	SPI1_SCK /I2S1_CK	I2S2_MCK	USART2_ TX			USBHS_U LPI_D3		SDIO_D7			EVENTOU T
PB11		TIMER1_C H3			I2C1_SDA	I2S_CKIN		USART2_ RX			USBHS_U LPI_D4					EVENTOU T
PB12		TIMER0_B RKIN			I2C1_SMB A	SPI1_NSS /I2S1_WS		USART2_ CK		CAN1_RX	USBHS_U LPI_D5		USBHS_I D			EVENTOU T
PB13		TIMER0_C H0_ON			I2C1_TXF RAME	SPI1_SCK /I2S1_CK		USART2_ CTS		CAN1_TX	USBHS_U LPI_D6					EVENTOU T
PB14		TIMER0_C H1_ON		TIMER7_C H1_ON		SPI1_MIS O	I2S1_ADD _SD	USART2_ RTS		TIMER11_ CH0			USBHS_D M			EVENTOU T
PB15	RTC_REFI N	TIMER0_C H2_ON		TIMER7_C H2_ON		SPI1_MO SI/I2S1_S D				TIMER11_ CH1			USBHS_D P			EVENTOU T

**Table 2-9. Port C alternate functions summary**

Pin Name	AF0	AF1	AF2	AF3	AF4	AF5	AF6	AF7	AF8	AF9	AF10	AF11	AF12	AF13	AF14	AF15
PC0											USBHS_U LPI_STP					EVENTOU T
PC1						SPI2_MO SI/I2S2_S D		SPI1_MO SI/I2S1_S D								EVENTOU T
PC2						SPI1_MIS O	I2S1_ADD _SD					USBHS_U LPI_DIR				EVENTOU T
PC3						SPI1_MO SI/I2S1_S D					USBHS_U LPI_NXT					EVENTOU T
PC4																EVENTOU T
PC5								USART2_ RX								EVENTOU T
PC6			TIMER2_C H0	TIMER7_C H0		I2S1_MCK			USART5_ TX				SDIO_D6	DCI_D0		EVENTOU T
PC7			TIMER2_C H1	TIMER7_C H1		SPI1_SCK /I2S1_CK	I2S2_MCK		USART5_ RX				SDIO_D7	DCI_D1		EVENTOU T
PC8	TRACED0		TIMER2_C H2	TIMER7_C H2					USART5_ CK				SDIO_D0	DCI_D2		EVENTOU T
PC9	CK_OUT1		TIMER2_C H3	TIMER7_C H3	I2C2_SDA	I2S_CKIN							SDIO_D1	DCI_D3		EVENTOU T
PC10							SPI2_SCK /I2S2_CK	USART2_ TX	UART3_T X				SDIO_D2	DCI_D8		EVENTOU T
PC11						I2S2_ADD _SD	SPI2_MIS O	USART2_ RX	UART3_R X				SDIO_D3	DCI_D4		EVENTOU T
PC12					I2C1_SDA		SPI2_MO SI/I2S2_S D	USART2_ CK	UART4_T X				SDIO_CK	DCI_D9		EVENTOU T
PC13																EVENTOU T
PC14																EVENTOU T
PC15																EVENTOU T

**Table 2-10. Port D alternate functions summary**

Pin Name	AF0	AF1	AF2	AF3	AF4	AF5	AF6	AF7	AF8	AF9	AF10	AF11	AF12	AF13	AF14	AF15
PD0							SPI2_MOSI/I2S2_SD			CAN0_RX						EVENTOUT
PD1								SPI1_NSS/I2S1_WS		CAN0_TX						EVENTOUT
PD2			TIMER2_ETI						UART4_RX				SDIO_CMD	DCI_D11		EVENTOUT
PD3	TRACED1						SPI1_SCK/I2S1_CK	USART1_CTS						DCI_D5		EVENTOUT
PD4								USART1_RTS								EVENTOUT
PD5								USART1_TX								EVENTOUT
PD6							SPI2_MOSI/I2S2_SD	USART1_RX						DCI_D10		EVENTOUT
PD7								USART1_CK								EVENTOUT
PD8								USART2_TX								EVENTOUT
PD9								USART2_RX								EVENTOUT
PD10								USART2_CK								EVENTOUT
PD11								USART2_CTS								EVENTOUT
PD12			TIMER3_CH0					USART2_RTS								EVENTOUT
PD13			TIMER3_CH1													EVENTOUT
PD14			TIMER3_CH2													EVENTOUT
PD15	CTC_SYNC		TIMER3_CH3													EVENTOUT

Table 2-11. Port E alternate functions summary

Pin Name	AF0	AF1	AF2	AF3	AF4	AF5	AF6	AF7	AF8	AF9	AF10	AF11	AF12	AF13	AF14	AF15
PE0			TIMER3_ETI											DCI_D2		EVENTOUT
PE1		TIMER0_CH1_ON												DCI_D3		EVENTOUT
PE2	TRACECK															EVENTOUT
PE3	TRACED0															EVENTOUT
PE4	TRACED1													DCI_D4		EVENTOUT
PE5	TRACED2			TIMER8_CH0										DCI_D6		EVENTOUT
PE6	TRACED3			TIMER8_CH1										DCI_D7		EVENTOUT
PE7		TIMER0_ETI														EVENTOUT
PE8		TIMER0_CH0_ON														EVENTOUT
PE9		TIMER0_CH0														EVENTOUT
PE10		TIMER0_CH1_ON														EVENTOUT
PE11		TIMER0_CH1														EVENTOUT
PE12		TIMER0_CH2_ON														EVENTOUT
PE13		TIMER0_CH2														EVENTOUT
PE14		TIMER0_CH3														EVENTOUT
PE15		TIMER0_BRKIN														EVENTOUT



**Table 2-12. Port F alternate functions summary**

Pin Name	AF0	AF1	AF2	AF3	AF4	AF5	AF6	AF7	AF8	AF9	AF10	AF11	AF12	AF13	AF14	AF15
PF0	CTC_SYN C				I2C1_SDA											EVENTOU T
PF1					I2C1_SCL											EVENTOU T
PF2					I2C1_SMB A											EVENTOU T
PF3					I2C1_TXF RAME											EVENTOU T
PF4																EVENTOU T
PF5																EVENTOU T
PF6				TIMER9_C H0												EVENTOU T
PF7				TIMER10_ CH0												EVENTOU T
PF8										TIMER12_ CH0						EVENTOU T
PF9										TIMER13_ CH0						EVENTOU T
PF10														DCI_D11		EVENTOU T
PF11														DCI_D12		EVENTOU T
PF12																EVENTOU T
PF13																EVENTOU T
PF14																EVENTOU T
PF15																EVENTOU T

**Table 2-13. Port G alternate functions summary**

Pin Name	AF0	AF1	AF2	AF3	AF4	AF5	AF6	AF7	AF8	AF9	AF10	AF11	AF12	AF13	AF14	AF15
PG0																EVENTOU T

Pin Name	AF0	AF1	AF2	AF3	AF4	AF5	AF6	AF7	AF8	AF9	AF10	AF11	AF12	AF13	AF14	AF15
PG1																EVENTOUT
PG2																EVENTOUT
PG3																EVENTOUT
PG4																EVENTOUT
PG5																EVENTOUT
PG6														DCI_D12		EVENTOUT
PG7									USART5_CK					DCI_D13		EVENTOUT
PG8									USART5_RTS							EVENTOUT
PG9									USART5_RX					DCI_VSYNC		EVENTOUT
PG10														DCI_D2		EVENTOUT
PG11														DCI_D3		EVENTOUT
PG12									USART5_RTS							EVENTOUT
PG13	TRACED2								USART5_CTS							EVENTOUT
PG14	TRACED3								USART5_TX							EVENTOUT
PG15									USART5_CTS					DCI_D13		EVENTOUT

Table 2-14. Port H alternate functions summary

Pin Name	AF0	AF1	AF2	AF3	AF4	AF5	AF6	AF7	AF8	AF9	AF10	AF11	AF12	AF13	AF14	AF15
PH0																EVENTOUT
PH1																EVENTOUT

## 3. Functional description

### 3.1. Arm® Cortex®-M4 core

The Arm® Cortex®-M4 processor is a high performance embedded processor with DSP instructions which allow efficient signal processing and complex algorithm execution. It brings an efficient, easy-to-use blend of control and signal processing capabilities to meet the digital signal control markets demand. The processor is highly configurable enabling a wide range of implementations from those requiring floating point operations, memory protection and powerful trace technology to cost sensitive devices requiring minimal area, while delivering outstanding computational performance and an advanced system response to interrupts.

32-bit Arm® Cortex®-M4 processor core

- Up to 200 MHz operation frequency
- Single-cycle multiplication and hardware divider
- Floating Point Unit (FPU)
- Integrated DSP instructions
- Integrated Nested Vectored Interrupt Controller (NVIC)
- 24-bit SysTick timer

The Cortex®-M4 processor is based on the Armv7-M architecture and supports both Thumb and Thumb-2 instruction sets. Some system peripherals listed below are also provided by Cortex®-M4:

- Internal Bus Matrix connected with ICode bus, DCode bus, system bus, Private Peripheral Bus (PPB) and debug accesses (AHB-AP)
- Nested Vectored Interrupt Controller (NVIC)
- Flash Patch and Breakpoint (FPB)
- Data Watchpoint and Trace (DWT)
- Instrument Trace Macrocell (ITM)
- Memory Protection Unit (MPU)
- Serial Wire JTAG Debug Port (SWJ-DP)
- Trace Port Interface Unit (TPIU)

### 3.2. On-chip memory

- Up to 3072 Kbytes of Flash memory, including code Flash and data Flash
- 256 KB of SRAM

The Arm® Cortex®-M4 processor is structured in Harvard architecture which can use separate buses to fetch instructions and load/store data. 3072 Kbytes of inner Flash at most, which includes code Flash and data Flash is available for storing programs and data, and accessed (R/W) at CPU clock speed with zero wait states. Up to 256 Kbytes of inner SRAM is composed

of SRAM0 (112KB), SRAM1 (16KB) and SRAM2 (64KB) that can be accessed at same time, and including 64 KB of TCM (tightly-coupled memory) data RAM that can be accessed only by the data bus of the Cortex®-M4 core. The additional 4KB of backup SRAM (BKP SRAM) is implemented in the backup domain, which can keep its content even when the  $V_{DD}$  power supply is down. [Table 2-2. GD32F425xx memory map](#) shows the memory map of the GD32F425xx series of devices, including Flash, SRAM, peripheral, and other pre-defined regions.

### 3.3. Clock, reset and supply management

- Internal 16 MHz factory-trimmed RC and external 4 to 32 MHz crystal oscillator
- Internal 48 MHz RC oscillator
- Internal 32 KHz RC calibrated oscillator and external 32.768 KHz crystal oscillator
- Integrated system clock PLL
- 2.6 to 3.6 V application supply and I/Os
- Supply Supervisor: POR (Power On Reset), PDR (Power Down Reset), and low voltage detector (LVD)

The Clock Control Unit (CCU) provides a range of oscillator and clock functions. These include internal RC oscillator and external crystal oscillator, high speed and low speed two types. Several prescalers allow the frequency configuration of the AHB and two APB domains. The maximum frequency of the two AHB domains are 200 MHz. The maximum frequency of the two APB domains including APB1 is 50 MHz and APB2 is 100 MHz. See [Figure 2-6. GD32F425xx clock tree](#) for details on the clock tree.

The Reset Control Unit (RCU) controls three kinds of reset: system reset resets the processor core and peripheral IP components. Power-on reset (POR) and power-down reset (PDR) are always active, and ensures proper operation starting from 2.4 V and down to 1.8V. The device remains in reset mode when  $V_{DD}$  is below a specified threshold. The embedded low voltage detector (LVD) monitors the power supply, compares it to the voltage threshold and generates an interrupt as a warning message for leading the MCU into security.

Power supply schemes:

- $V_{DD}$  range: 2.6 to 3.6 V, external power supply for I/Os and the internal regulator. Provided externally through  $V_{DD}$  pins.
- $V_{SSA}$ ,  $V_{DDA}$  range: 2.6 to 3.6 V, external analog power supplies for ADC, reset blocks, RCs and PLL.  $V_{DDA}$  and  $V_{SSA}$  must be connected to  $V_{DD}$  and  $V_{SS}$ , respectively.
- $V_{BAT}$  range: 1.8 to 3.6 V, power supply for RTC, external clock 32 KHz oscillator and backup registers (through power switch) when  $V_{DD}$  is not present.

### 3.4. Boot modes

At startup, boot pins are used to select one of three boot options:

- Boot from main Flash memory (default)

- Boot from system memory
- Boot from on-chip SRAM

The boot loader is located in the internal 30KB of information blocks for the boot ROM memory (system memory). It is used to reprogram the Flash memory by using USART0 (PA9 and PA10), USART2 (PB10 and PB11, or PC10 and PC11), and USBFS (PA9, PA10, PA11 and PA12) in device mode. It also can be used to transfer and update the Flash memory code, the data and the vector table sections. In default condition, boot from bank0 of Flash memory is selected. It also supports to boot from bank1 of Flash memory by setting a bit in option bytes.

### 3.5. Power saving modes

The MCU supports three kinds of power saving modes to achieve even lower power consumption. They are sleep mode, deep-sleep mode, and standby mode. These operating modes reduce the power consumption and allow the application to achieve the best balance between the CPU operating time, speed and power consumption.

- **Sleep mode**

In sleep mode, only the clock of CPU core is off. All peripherals continue to operate and any interrupt/event can wake up the system.

- **Deep-sleep mode**

In deep-sleep mode, all clocks in the 1.2V domain are off, and all of the high speed crystal oscillator (IRC16M, HXTAL) and PLL are disabled. Only the contents of SRAM and registers are retained. Any interrupt or wakeup event from EXTI lines can wake up the system from the deep-sleep mode including the 16 external lines, the RTC alarm, RTC Tamper and TimeStamp event, the LVD output, RTC wakeup and USB wakeup. When exiting the deep-sleep mode, the IRC16M is selected as the system clock.

- **Standby mode**

In standby mode, the whole 1.2V domain is power off, the LDO is shut down, and all of IRC16M, HXTAL and PLL are disabled. The contents of SRAM and registers (except backup registers) are lost. There are four wakeup sources for the standby mode, including the external reset from NRST pin, the RTC, the FWDGT reset, and the rising edge on WKUP pin.

### 3.6. Analog to digital converter (ADC)

- 12-bit SAR ADC's conversion rate is up to 2.6 MSPS
- 12-bit, 10-bit, 8-bit or 6-bit configurable resolution
- Hardware oversampling ratio adjustable from 2x to 256x improves resolution to 16-bit
- Input voltage range:  $V_{SSA}$  to  $V_{DDA}$  ( $2.6V \leq V_{DDA} \leq 3.6V$ )
- Temperature sensor

Up to three 12-bit 2.6 MSPS multi-channel ADCs are integrated in the device. It has a total of

19 multiplexed channels: 16 external channels, 1 channel for internal temperature sensor ( $V_{SENSE}$ ), 1 channel for internal reference voltage ( $V_{REFINT}$ ) and 1 channel for external battery power supply ( $V_{BAT}$ ). The input voltage range is between 2.6 V and 3.6 V. An on-chip hardware oversampling scheme improves performance while off-loading the related computational burden from the CPU. An analog watchdog block can be used to detect the channels, which are required to remain within a specific threshold window. A configurable channel management block can be used to perform conversions in single, continuous, scan or discontinuous mode to support more advanced use.

The ADC can be triggered from the events generated by the general level 0 timers (TIMERx) and the advanced-control timers (TIMER0 and TIMER7) with internal connection. The temperature sensor can be used to generate a voltage that varies linearly with temperature. It is internally connected to the ADC\_IN16 input channel which is used to convert the sensor output voltage in a digital value.

### 3.7. Digital to analog converter (DAC)

- Two 12-bit DAC converter of independent output channel
- 8-bit or 12-bit mode in conjunction with the DMA controller

The 12-bit buffered DAC channel is used to generate variable analog outputs. The DACs are designed with integrated resistor strings structure. The DAC channels can be triggered by the timer update outputs or EXTI with DMA support. The maximum output value of the DAC is  $V_{REF+}$ .

### 3.8. DMA

- 16 channels DMA controller and each channel are configurable (8 for DMA0 and 8 for DMA1)
- Support independent 8, 16, 32-bit memory and peripheral transfer
- Peripherals supported: Timers, ADC, SPIs, I2Cs, USARTs, UARTs, DAC, I2S, SDIO and DCI

The flexible general-purpose DMA controllers provide a hardware method of transferring data between peripherals and/or memory without intervention from the CPU, thereby freeing up bandwidth for other system functions. Three types of access method are supported: peripheral to memory, memory to peripheral, memory to memory.

Each channel is connected to fixed hardware DMA requests. The priorities of DMA channel requests are determined by software configuration and hardware channel number. Transfer size of source and destination are independent and configurable.

### 3.9. General-purpose inputs/outputs (GPIOs)

- Up to 114 fast GPIOs, all mappable on 16 external interrupt lines
- Analog input/output configurable
- Alternate function input/output configurable

There are up to 114 general purpose I/O pins (GPIO) in GD32F425xx, named PA0 ~ PA15, PB0 ~ PB15, PC0 ~ PC15, PD0 ~ PD15, PE0 ~ PE15, PF0 ~ PF15, PG0 ~ PG15 and PH0 ~ PH1 to implement logic input/output functions. Each of the GPIO ports has related control and configuration registers to satisfy the requirements of specific applications. The external interrupts on the GPIO pins of the device have related control and configuration registers in the Interrupt/event controller (EXTI). The GPIO ports are pin-shared with other alternative functions (AFs) to obtain maximum flexibility on the package pins. Each of the GPIO pins can be configured by software as output (push-pull or open-drain), as input (with or without pull-up or pull-down) or as peripheral alternate function. Most of the GPIO pins are shared with digital or analog alternate functions. All GPIOs are high-current capable except for analog inputs.

### 3.10. Timers and PWM generation

- Two 16-bit advanced-control timer (TIMER0 & TIMER7), eight 16-bit general timers (TIMER2, TIMER3, TIMER8 ~ TIMER13), two 32-bit general timers (TIMER1 & TIMER4) and two 16-bit basic timer (TIMER5 & TIMER6)
- Up to 4 independent channels of PWM, output compare or input capture for each general timer and external trigger input
- 16-bit, motor control PWM advanced-control timer with programmable dead-time generation for output match
- Encoder interface controller with two inputs using quadrature decoder
- 24-bit SysTick timer down counter
- 2 watchdog timers (free watchdog timer and window watchdog timer)

The advanced-control timer (TIMER0 & TIMER7) can be used as a three-phase PWM multiplexed on 6 channels. It has complementary PWM outputs with programmable dead-time generation. It can also be used as a complete general timer. The 4 independent channels can be used for input capture, output compare, PWM generation (edge- or center-aligned counting modes) and single pulse mode output. If configured as a general 16-bit timer, it has the same functions as the TIMEx timer. It can be synchronized with external signals or to interconnect with other general timers together which have the same architecture and features.

The general timer, can be used for a variety of purposes including general time, input signal pulse width measurement or output waveform generation such as a single pulse generation or PWM output, up to 4 independent channels for input capture/output compare. TIMER1 & TIMER4 is based on a 32-bit auto-reload up/downcounter and a 16-bit prescaler. TIMER2 &

TIMER3 is based on a 16-bit auto-reload up/downcounter and a 16-bit prescaler. TIMER8 ~ TIMER13 is based on a 16-bit auto-reload upcounter and a 16-bit prescaler. The general timer also supports an encoder interface with two inputs using quadrature decoder.

The basic timer, known as TIMER5 & TIMER6, are mainly used for DAC trigger generation. They can also be used as a simple 16-bit time base.

The GD32F425xx have two watchdog peripherals, free watchdog timer and window watchdog timer. They offer a combination of high safety level, flexibility of use and timing accuracy.

The free watchdog timer includes a 12-bit down-counting counter and an 8-bit prescaler. It is clocked from an independent 32 KHz internal RC and as it operates independently of the main clock, it can operate in deep-sleep and standby modes. It can be used either as a watchdog to reset the device when a problem occurs, or as a free-running timer for application timeout management.

The window watchdog timer is based on a 7-bit down counter that can be set as free-running. It can be used as a watchdog to reset the device when a problem occurs. It is clocked from the main clock. It has an early wakeup interrupt capability and the counter can be frozen in debug mode.

The SysTick timer is dedicated for OS, but could also be used as a standard down counter. It features:

- A 24-bit down counter
- Auto reload capability
- Maskable system interrupt generation when the counter reaches 0
- Programmable clock source

### 3.11. Real time clock (RTC) and backup registers

- Independent binary-coded decimal (BCD) format timer/counter with twenty 32-bit backup registers.
- Calendar with sub-second, seconds, minutes, hours, week day, date, year and month automatically correction.
- Alarm function with wake up from deep-sleep and standby mode capability.
- On-the-fly correction for synchronization with master clock. Digital calibration with 1 ppm resolution for compensation of quartz crystal inaccuracy.

The real time clock is an independent timer which provides a set of continuously running counters in backup registers to provide a real calendar function, and provides an alarm interrupt or an expected interrupt. It is not reset by a system or power reset, or when the device wakes up from standby mode. A prescaler is used for the time base clock and is by default configured to generate a time base of 1 second from a clock at 32.768 KHz from external crystal oscillator.



### 3.12. Inter-integrated circuit (I2C)

- Up to three I2C bus interfaces can support both master and slave mode with a frequency up to 400 KHz (Fast mode).
- Provide arbitration function, optional PEC (packet error checking) generation and checking.
- Supports 7-bit and 10-bit addressing mode and general call addressing mode.

The I2C interface is an internal circuit allowing communication with an external I2C interface which is an industry standard two line serial interface used for connection to external hardware. These two serial lines are known as a serial data line (SDA) and a serial clock line (SCL). The I2C module provides two data transfer rates: 100 KHz of standard mode or 400 KHz of the fast mode. The I2C module also has an arbitration detect function to prevent the situation where more than one master attempts to transmit data to the I2C bus at the same time. A CRC-8 calculator is also provided in I2C interface to perform packet error checking for I2C data.

### 3.13. Serial peripheral interface (SPI)

- Up to three SPI interfaces with a frequency of up to 30 MHz
- Support both master and slave mode
- Hardware CRC calculation and transmit automatic CRC error checking

The SPI interface uses 4 pins, among which are the serial data input and output lines (MISO & MOSI), the clock line (SCK) and the slave select line (NSS). Both SPIs can be served by the DMA controller. The SPI interface may be used for a variety of purposes, including simplex synchronous transfers on two lines with a possible bidirectional data line or reliable communication using CRC checking.

### 3.14. Universal synchronous/asynchronous receiver transmitter (USART/UART)

- Up to four USARTs and two UARTs with operating frequency up to 12.5 MHz
- Supports both asynchronous and clocked synchronous serial communication modes
- IrDA SIR encoder and decoder support
- LIN break generation and detection
- ISO 7816-3 compliant smart card interface

The USART (USART0, USART1, USART2, USART5) and UART (UART3, UART4) are used to transfer data between parallel and serial interfaces, provides a flexible full duplex data exchange using synchronous or asynchronous transfer. It is also commonly used for RS-232 standard communication. The USART/UART includes a programmable baud rate generator

which is capable of dividing the system clock to produce a dedicated clock for the USART/UART transmitter and receiver. The USART/UART also supports DMA function for high speed data communication.

### 3.15. Inter-IC sound (I2S)

- Two I2S bus Interfaces with sampling frequency from 8 KHz to 192 KHz, multiplexed with SPI1 and SPI2
- Support either master or slave mode Audio
- Sampling frequencies from 8 KHz up to 192 KHz are supported

The Inter-IC sound (I2S) bus provides a standard communication interface for digital audio applications by 4-wire serial lines. GD32F425xx contain an I2S-bus interface that can be operated with 16/32 bit resolution in master or slave mode, pin multiplexed with SPI1 and SPI2. The audio sampling frequencies from 8 KHz to 192 KHz is supported.

### 3.16. Universal serial bus full-speed interface (USBFS)

- One USB device/host/OTG full-speed Interface with frequency up to 12 Mbit/s
- Internal 48 MHz oscillator support crystal-less operation
- Internal main PLL for USB CLK compliantly
- Internal USBFS PHY support

The Universal Serial Bus (USB) is a 4-wire bus with 4 bidirectional endpoints. The device controller enables 12 Mbit/s data exchange with integrated transceivers. Transaction formatting is performed by the hardware, including CRC generation and checking. It supports both host and device modes, as well as OTG mode with Host Negotiation Protocol (HNP) and Session Request Protocol (SRP). The controller contains a full-speed USB PHY internal. For full-speed or low-speed operation, no more external PHY chip is needed. It supports all the four types of transfer (control, bulk, Interrupt and isochronous) defined in USB 2.0 protocol. The required precise 48 MHz clock which can be generated from the internal main PLL (the clock source must use an HXTAL crystal oscillator) or by the internal 48 MHz oscillator in automatic trimming mode that allows crystal-less operation.

### 3.17. Universal serial bus high-speed interface (USBHS)

- One USB device/host/OTG high-speed Interface with frequency up to 480 Mbit/s
- An external PHY device connected to the ULPI is required when using in HS mode

USBHS supports both host and device modes, as well as OTG mode with Host Negotiation Protocol (HNP) and Session Request Protocol (SRP). The controller provides ULPI interface for external USB PHY integration and it also contains a full-speed USB PHY internal. For full-speed or low-speed operation, no more external PHY chip is needed. It supports all the four

types of transfer (control, bulk, Interrupt and isochronous) defined in USB 2.0 protocol. HUB connection is supported when USBHS operates at high-speed in host mode. There is also a DMA engine operating as an AHB bus master in USBHS to speed up the data transfer between USBHS and system.

### 3.18. Controller area network (CAN)

- Two CAN2.0B interface with communication frequency up to 1 Mbit/s
- Internal main PLL for CAN CLK compliantly

Controller area network (CAN) is a method for enabling serial communication in field bus. The CAN protocol has been used extensively in industrial automation and automotive applications. It can receive and transmit standard frames with 11-bit identifiers as well as extended frames with 29-bit identifiers. Each CAN has three mailboxes for transmission and two FIFOs of three message deep for reception. It also provides 28 scalable/configurable identifier filter banks for selecting the incoming messages needed and discarding the others.

### 3.19. Secure digital input and output card interface (SDIO)

- Support SD2.0/SDIO2.0/MMC4.2 host interface

The Secure Digital Input and Output Card Interface (SDIO) provides access to external SD memory cards specifications version 2.0, SDIO card specification version 2.0 and multi-media card system specification version 4.2 with DMA supported. In addition, this interface is also compliant with CE-ATA digital protocol rev1.1.

### 3.20. Digital camera interface (DCI)

- Digital video/picture capture
- 8/10/12/14 data width supported
- High transfer efficiency with DMA interface
- Video/picture crop supported
- Various pixel formats supported including JPEG/YCrCb/RGB
- Hard/embedded synchronous signals supported

DCI is an 8-bit to 14-bit parallel interface that able to capture video or picture from a camera via Digital Camera Interface. It supports 8/10/12/14 bits data width through DMA operation.

### 3.21. Debug mode

- Serial wire JTAG debug port (SWJ-DP)

The Arm® SWJ-DP Interface is embedded and is a combined JTAG and serial wire debug

port that enables either a serial wire debug or a JTAG probe to be connected to the target.

### 3.22. Package and operation temperature

- BGA100 (GDF425VxH), LQFP144 (GD32F425Zx), LQFP100 (GD32F425VxT) and LQFP64 (GD32F425Rx)
- Operation temperature range: -40°C to +85°C (industrial level)

## 4. Electrical characteristics

### 4.1. Absolute maximum ratings

The maximum ratings are the limits to which the device can be subjected without permanently damaging the device. Note that the device is not guaranteed to operate properly at the maximum ratings. Exposure to the absolute maximum rating conditions for extended periods may affect device reliability.

**Table 4-1. Absolute maximum ratings<sup>(1)(4)</sup>**

Symbol	Parameter	Min	Max	Unit
$V_{DD}$	External voltage range <sup>(2)</sup>	$V_{SS} - 0.3$	$V_{SS} + 3.6$	V
$V_{DDA}$	External analog supply voltage	$V_{SSA} - 0.3$	$V_{SSA} + 3.6$	V
$V_{BAT}$	External battery supply voltage	$V_{SS} - 0.3$	$V_{SS} + 3.6$	V
$V_{IN}$	Input voltage on 5V tolerant pin <sup>(3)</sup>	$V_{SS} - 0.3$	$V_{DD} + 3.6$	V
	Input voltage on other I/O	$V_{SS} - 0.3$	3.6	V
$ \Delta V_{DDX} $	Variations between different $V_{DD}$ power pins	—	50	mV
$ V_{SSX} - V_{SS} $	Variations between different ground pins	—	50	mV
$I_{IO}$	Maximum current for GPIO pins	—	25	mA
$T_A$	Operating temperature range	-40	+85	°C
$P_D$	Power dissipation at $T_A = 85^\circ\text{C}$ of LQFP144	—	820	mW
	Power dissipation at $T_A = 85^\circ\text{C}$ of BGA100	—	511	
	Power dissipation at $T_A = 85^\circ\text{C}$ of LQFP100	—	697	
	Power dissipation at $T_A = 85^\circ\text{C}$ of LQFP64	—	772	
$T_{STG}$	Storage temperature range	-65	+150	°C
$T_J$	Maximum junction temperature	—	125	°C

(1) Guaranteed by design, not tested in production.

(2) All main power and ground pins should be connected to an external power source within the allowable range.

(3)  $V_{IN}$  maximum value cannot exceed 5.5 V.

(4) It is recommended that  $V_{DD}$  and  $V_{DDA}$  are powered by the same source. The maximum difference between  $V_{DD}$  and  $V_{DDA}$  does not exceed 300 mV during power-up and operation.

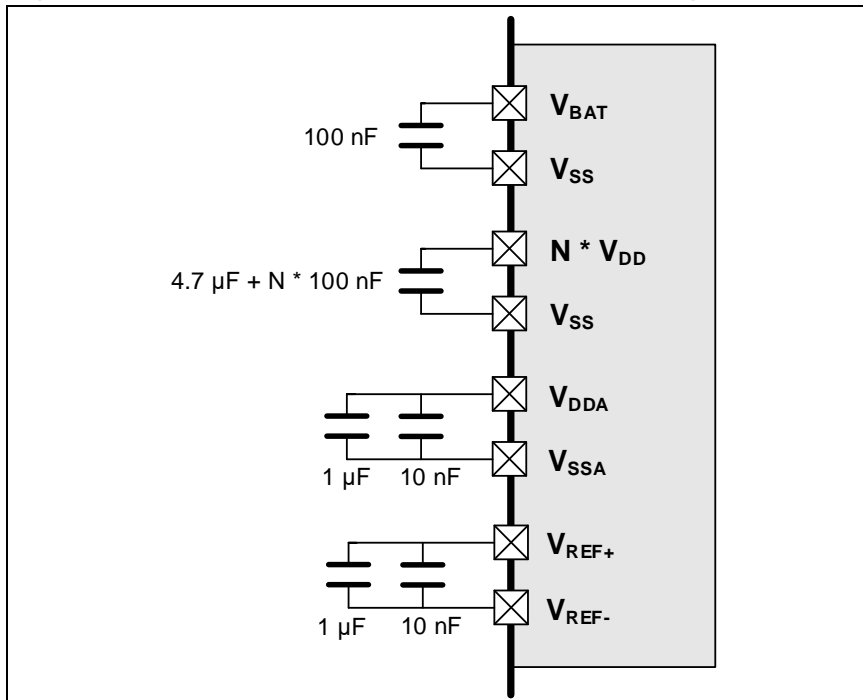
### 4.2. Operating conditions characteristics

**Table 4-2. DC operating conditions**

Symbol	Parameter	Conditions	Min <sup>(1)</sup>	Typ	Max <sup>(1)</sup>	Unit
$V_{DD}$	Supply voltage	—	2.6	3.3	3.6	V
$V_{DDA}$	Analog supply voltage	Same as $V_{DD}$	2.6	3.3	3.6	V
$V_{BAT}$	Battery supply voltage	—	1.8	—	3.6	V

(1) Based on characterization, not tested in production.

Figure 4-1. Recommended power supply decoupling capacitors<sup>(1) (2)</sup>



- (1) The V<sub>REF+</sub> and V<sub>REF-</sub> pins are only available on no less than 100-pin packages, or else the V<sub>REF+</sub> and V<sub>REF-</sub> pins are not available and internally connected to V<sub>DDA</sub> and V<sub>SSA</sub> pins.
- (2) All decoupling capacitors need to be as close as possible to the pins on the PCB board.

Table 4-3. Clock frequency<sup>(1)</sup>

Symbol	Parameter	Conditions	Min	Max	Unit
f <sub>HCLK</sub>	AHB clock frequency	—	—	200	MHz
f <sub>APB1</sub>	APB1 clock frequency	—	—	50	MHz
f <sub>APB2</sub>	APB2 clock frequency	—	—	100	MHz

- (1) Guaranteed by design, not tested in production.

Table 4-4. Operating conditions at Power up / Power down<sup>(1)</sup>

Symbol	Parameter	Conditions	Min	Max	Unit
t <sub>VDD</sub>	V <sub>DD</sub> rise time rate	—	0	∞	μs/V
	V <sub>DD</sub> fall time rate		20	∞	

- (1) Guaranteed by design, not tested in production.

Table 4-5. Start-up timings of Operating conditions<sup>(1)(2)(3)</sup>

Symbol	Parameter	Conditions	Typ	Unit
t <sub>start-up</sub>	Start-up time	Clock source from HXTAL	140.6	ms
		Clock source from IRC16M	140.2	

- (1) Based on characterization, not tested in production.
- (2) After power-up, the start-up time is the time between the rising edge of NRST high and the main function.
- (3) PLL is off.

**Table 4-6. Power saving mode wakeup timings characteristics<sup>(1)(2)</sup>**

Symbol	Parameter	Typ	Unit
$t_{\text{Sleep}}$	Wakeup from Sleep mode	0.623	$\mu\text{s}$
$t_{\text{Deep-sleep}}$	Wakeup from Deep-sleep mode (LDO On)	1.57	
	Wakeup from Deep-sleep mode (LDO in low power mode)	1.57	
$t_{\text{Standby}}$	Wakeup from Standby mode	140	ms

(1) Based on characterization, not tested in production.

(2) The wakeup time is measured from the wakeup event to the point at which the application code reads the first instruction under the below conditions:  $V_{\text{DD}} = V_{\text{DDA}} = 3.3 \text{ V}$ , IRC16M = System clock = 16 MHz.

### 4.3. Power consumption

The power measurements specified in the tables represent that code with data executing from on-chip Flash with the following specifications.

**Table 4-7. Power consumption characteristics<sup>(2)(3)(4)(5)</sup>**

Symbol	Parameter	Conditions	Min	Typ <sup>(1)</sup>	Max	Unit
$I_{\text{DD}}+I_{\text{DDA}}$	Supply current (Run mode)	$V_{\text{DD}} = V_{\text{DDA}} = 3.3 \text{ V}$ , HXTAL = 25 MHz, System clock = 200 MHz, All peripherals enabled	—	61.5	—	mA
		$V_{\text{DD}} = V_{\text{DDA}} = 3.3 \text{ V}$ , HXTAL = 25 MHz, System clock = 200 MHz, All peripherals disabled	—	37.1	—	mA
		$V_{\text{DD}} = V_{\text{DDA}} = 3.3 \text{ V}$ , HXTAL = 25 MHz, System clock = 180 MHz, All peripherals enabled	—	55.9	—	mA
		$V_{\text{DD}} = V_{\text{DDA}} = 3.3 \text{ V}$ , HXTAL = 25 MHz, System clock = 180 MHz, All peripherals disabled	—	33.9	—	mA
		$V_{\text{DD}} = V_{\text{DDA}} = 3.3 \text{ V}$ , HXTAL = 25 MHz, System clock = 168 MHz, All peripherals enabled	—	52.6	—	mA
		$V_{\text{DD}} = V_{\text{DDA}} = 3.3 \text{ V}$ , HXTAL = 25 MHz, System clock = 168 MHz, All peripherals disabled	—	32.0	—	mA
		$V_{\text{DD}} = V_{\text{DDA}} = 3.3 \text{ V}$ , HXTAL = 25 MHz, System clock = 120 MHz, All peripherals enabled	—	38.6	—	mA
		$V_{\text{DD}} = V_{\text{DDA}} = 3.3 \text{ V}$ , HXTAL = 25 MHz, System clock = 120 MHz, All peripherals disabled	—	23.9	—	mA
		$V_{\text{DD}} = V_{\text{DDA}} = 3.3 \text{ V}$ , HXTAL = 25 MHz, System clock = 108 MHz, All peripherals enabled	—	35.2	—	mA

Symbol	Parameter	Conditions	Min	Typ <sup>(1)</sup>	Max	Unit
		V <sub>DD</sub> = V <sub>DDA</sub> = 3.3 V, HXTAL = 25 MHz, System clock = 108 MHz, All peripherals disabled	—	22.0	—	mA
		V <sub>DD</sub> = V <sub>DDA</sub> = 3.3 V, HXTAL = 25 MHz, System clock = 90 MHz, All peripherals enabled	—	29.9	—	mA
		V <sub>DD</sub> = V <sub>DDA</sub> = 3.3 V, HXTAL = 25 MHz, System clock = 90 MHz, All peripherals disabled	—	19.0	—	mA
		V <sub>DD</sub> = V <sub>DDA</sub> = 3.3 V, HXTAL = 25 MHz, System clock = 60 MHz, All peripherals enabled	—	21.2	—	mA
		V <sub>DD</sub> = V <sub>DDA</sub> = 3.3 V, HXTAL = 25 MHz, System clock = 60 MHz, All peripherals disabled	—	13.9	—	mA
		V <sub>DD</sub> = V <sub>DDA</sub> = 3.3 V, HXTAL = 25 MHz, System clock = 30 MHz, All peripherals enabled	—	13.3	—	mA
		V <sub>DD</sub> = V <sub>DDA</sub> = 3.3 V, HXTAL = 25 MHz, System clock = 30 MHz, All peripherals disabled	—	9.5	—	mA
		V <sub>DD</sub> = V <sub>DDA</sub> = 3.3 V, HXTAL = 25 MHz, System clock = 25 MHz, All peripherals enabled	—	11.7	—	mA
		V <sub>DD</sub> = V <sub>DDA</sub> = 3.3 V, HXTAL = 25 MHz, System clock = 25 MHz, All peripherals disabled	—	8.5	—	mA
		V <sub>DD</sub> = V <sub>DDA</sub> = 3.3 V, HXTAL = 25 MHz, System clock = 16 MHz, All peripherals enabled	—	8.9	—	mA
		V <sub>DD</sub> = V <sub>DDA</sub> = 3.3 V, HXTAL = 25 MHz, System clock = 16 MHz, All peripherals disabled	—	6.9	—	mA
		V <sub>DD</sub> = V <sub>DDA</sub> = 3.3 V, HXTAL = 25 MHz, System clock = 8 MHz, All peripherals enabled	—	6.4	—	mA
		V <sub>DD</sub> = V <sub>DDA</sub> = 3.3 V, HXTAL = 25 MHz, System clock = 8 MHz, All peripherals disabled	—	5.3	—	mA
		V <sub>DD</sub> = V <sub>DDA</sub> = 3.3 V, HXTAL = 25 MHz, System clock = 4 MHz, All peripherals enabled	—	5.0	—	mA



Symbol	Parameter	Conditions	Min	Typ <sup>(1)</sup>	Max	Unit
		V <sub>DD</sub> = V <sub>DDA</sub> = 3.3 V, HXTAL = 25 MHz, System clock = 4 MHz, All peripherals disabled	—	4.5	—	mA
	Supply current (Sleep mode)	V <sub>DD</sub> = V <sub>DDA</sub> = 3.3 V, HXTAL = 25 MHz, System clock = 200 MHz, CPU clock off, All peripherals enabled	—	42.2	—	mA
		V <sub>DD</sub> = V <sub>DDA</sub> = 3.3 V, HXTAL = 25 MHz, System clock = 200 MHz, CPU clock off, All peripherals disabled	—	18.7	—	mA
		V <sub>DD</sub> = V <sub>DDA</sub> = 3.3 V, HXTAL = 25 MHz, System clock = 180 MHz, CPU clock off, All peripherals enabled	—	38.5	—	mA
		V <sub>DD</sub> = V <sub>DDA</sub> = 3.3 V, HXTAL = 25 MHz, System clock = 180 MHz, CPU clock off, All peripherals disabled	—	17.2	—	mA
		V <sub>DD</sub> = V <sub>DDA</sub> = 3.3 V, HXTAL = 25 MHz, System clock = 168 MHz, CPU clock off, All peripherals enabled		36.2		mA
		V <sub>DD</sub> = V <sub>DDA</sub> = 3.3 V, HXTAL = 25 MHz, System clock = 168 MHz, CPU clock off, All peripherals disabled		16.4		mA
		V <sub>DD</sub> = V <sub>DDA</sub> = 3.3 V, HXTAL = 25 MHz, System clock = 120 MHz, CPU clock off, All peripherals enabled	—	27.0	—	mA
		V <sub>DD</sub> = V <sub>DDA</sub> = 3.3 V, HXTAL = 25 MHz, System clock = 120 MHz, CPU clock off, All peripherals disabled	—	12.8	—	mA
		V <sub>DD</sub> = V <sub>DDA</sub> = 3.3 V, HXTAL = 25 MHz, System clock = 108 MHz, CPU clock off, All peripherals enabled	—	24.7	—	mA
		V <sub>DD</sub> = V <sub>DDA</sub> = 3.3 V, HXTAL = 25 MHz, System clock = 108 MHz, CPU clock off, All peripherals disabled	—	11.9	—	mA
		V <sub>DD</sub> = V <sub>DDA</sub> = 3.3 V, HXTAL = 25 MHz, System clock = 90 MHz, CPU clock off, All peripherals enabled	—	21.2	—	mA
		V <sub>DD</sub> = V <sub>DDA</sub> = 3.3 V, HXTAL = 25 MHz, System clock = 90 MHz, CPU clock off, All peripherals disabled	—	10.5	—	mA
		V <sub>DD</sub> = V <sub>DDA</sub> = 3.3 V, HXTAL = 25 MHz, System clock = 60 MHz, CPU clock off, All peripherals enabled	—	15.5	—	mA

Symbol	Parameter	Conditions	Min	Typ <sup>(1)</sup>	Max	Unit
		V <sub>DD</sub> = V <sub>DDA</sub> = 3.3 V, HXTAL = 25 MHz, System clock = 60 MHz, CPU clock off, All peripherals disabled	—	8.4	—	mA
		V <sub>DD</sub> = V <sub>DDA</sub> = 3.3 V, HXTAL = 25 MHz, System clock = 30 MHz, CPU clock off, All peripherals enabled	—	10.5	—	mA
		V <sub>DD</sub> = V <sub>DDA</sub> = 3.3 V, HXTAL = 25 MHz, System clock = 30 MHz, CPU clock off, All peripherals disabled	—	6.7	—	mA
		V <sub>DD</sub> = V <sub>DDA</sub> = 3.3 V, HXTAL = 25 MHz, System clock = 25 MHz, CPU clock off, All peripherals enabled	—	9.4	—	mA
		V <sub>DD</sub> = V <sub>DDA</sub> = 3.3 V, HXTAL = 25 MHz, System clock = 25 MHz, CPU clock off, All peripherals disabled	—	6.2	—	mA
		V <sub>DD</sub> = V <sub>DDA</sub> = 3.3 V, HXTAL = 25 MHz, System clock = 16 MHz, CPU clock off, All peripherals enabled	—	7.4	—	mA
		V <sub>DD</sub> = V <sub>DDA</sub> = 3.3 V, HXTAL = 25 MHz, System clock = 16 MHz, CPU clock off, All peripherals disabled	—	5.4	—	mA
		V <sub>DD</sub> = V <sub>DDA</sub> = 3.3 V, HXTAL = 25 MHz, System clock = 8 MHz, CPU clock off, All peripherals enabled	—	5.7	—	mA
		V <sub>DD</sub> = V <sub>DDA</sub> = 3.3 V, HXTAL = 25 MHz, System clock = 8 MHz, CPU clock off, All peripherals disabled	—	4.7	—	mA
		V <sub>DD</sub> = V <sub>DDA</sub> = 3.3 V, HXTAL = 25 MHz, System clock = 4 MHz, CPU clock off, All peripherals enabled	—	4.8	—	mA
		V <sub>DD</sub> = V <sub>DDA</sub> = 3.3 V, HXTAL = 25 MHz, System clock = 4 MHz, CPU clock off, All peripherals disabled	—	4.3	—	mA
	Supply current (Deep-Sleep mode)	V <sub>DD</sub> = V <sub>DDA</sub> = 3.3 V, LDO in run mode and normal driver mode, IRC32K off, RTC off, All GPIOs analog mode	—	1.39	—	mA
		V <sub>DD</sub> = V <sub>DDA</sub> = 3.3 V, LDO in low power mode and normal driver mode, IRC32K off, RTC off, All GPIOs analog mode	—	1.36	11	mA
		V <sub>DD</sub> = V <sub>DDA</sub> = 3.3 V, LDO in run mode and low driver mode, IRC32K off, RTC off, All GPIOs analog mode	—	1.33	—	mA

Symbol	Parameter	Conditions	Min	Typ <sup>(1)</sup>	Max	Unit
	Supply current (Standby mode)	$V_{DD} = V_{DDA} = 3.3\text{ V}$ , LDO in low power mode and low driver mode, IRC32K off, RTC off, All GPIOs analog mode	—	1.30	—	mA
		$V_{DD} = V_{DDA} = 3.3\text{ V}$ , LXTAL off, IRC32K on, RTC on, backup SARM LDO ON	—	9.90	—	$\mu\text{A}$
		$V_{DD} = V_{DDA} = 3.3\text{ V}$ , LXTAL off, IRC32K on, RTC off, backup SARM LDO ON	—	9.67	—	$\mu\text{A}$
		$V_{DD} = V_{DDA} = 3.3\text{ V}$ , LXTAL off, IRC32K off, RTC off, backup SARM LDO ON	—	9.19	—	$\mu\text{A}$
		$V_{DD} = V_{DDA} = 3.3\text{ V}$ , LXTAL off, IRC32K off, RTC off, backup SARM LDO OFF	—	3.26	—	$\mu\text{A}$
$I_{BAT}$	Battery supply current (Backup mode)	$V_{DD}$ off, $V_{DDA}$ off, $V_{BAT}=3.6\text{V}$ , LXTAL on with external crystal, RTC on, LXTAL High driving, backup SARM LDO ON	—	9.09	—	$\mu\text{A}$
		$V_{DD}$ off, $V_{DDA}$ off, $V_{BAT}=3.3\text{V}$ , LXTAL on with external crystal, RTC on, LXTAL High driving, backup SARM LDO ON	—	8.93	—	$\mu\text{A}$
		$V_{DD}$ off, $V_{DDA}$ off, $V_{BAT}=2.6\text{V}$ , LXTAL on with external crystal, RTC on, LXTAL High driving, backup SARM LDO ON	—	8.74	—	$\mu\text{A}$
		$V_{DD}$ off, $V_{DDA}$ off, $V_{BAT}=1.8\text{V}$ , LXTAL on with external crystal, RTC on, LXTAL High driving, backup SARM LDO ON	—	7.47	—	$\mu\text{A}$
		$V_{DD}$ off, $V_{DDA}$ off, $V_{BAT}=3.6\text{V}$ , LXTAL on with external crystal, RTC on, LXTAL High driving, backup SARM LDO OFF	—	2.23	—	$\mu\text{A}$
		$V_{DD}$ off, $V_{DDA}$ off, $V_{BAT}=3.3\text{V}$ , LXTAL on with external crystal, RTC on, LXTAL High driving, backup SARM LDO OFF	—	2.13	—	$\mu\text{A}$
		$V_{DD}$ off, $V_{DDA}$ off, $V_{BAT}=2.6\text{V}$ , LXTAL on with external crystal, RTC on, LXTAL High driving, backup SARM LDO OFF	—	2	—	$\mu\text{A}$
		$V_{DD}$ off, $V_{DDA}$ off, $V_{BAT}=1.8\text{V}$ , LXTAL on with external crystal, RTC on, LXTAL High driving, backup SARM LDO OFF	—	1.89	—	$\mu\text{A}$
		$V_{DD}$ off, $V_{DDA}$ off, $V_{BAT}=3.6\text{V}$ , LXTAL on with external crystal, RTC on, LXTAL Low driving, backup SARM LDO ON	—	8.16	—	$\mu\text{A}$
		$V_{DD}$ off, $V_{DDA}$ off, $V_{BAT}=3.3\text{V}$ , LXTAL on with external crystal, RTC on, LXTAL Low driving, backup SARM LDO ON	—	8	—	$\mu\text{A}$

Symbol	Parameter	Conditions	Min	Typ <sup>(1)</sup>	Max	Unit
		V <sub>DD</sub> off, V <sub>DDA</sub> off, V <sub>BAT</sub> =2.6V, LXTAL on with external crystal, RTC on, LXTAL Low driving, backup SARM LDO ON	—	7.8	—	μA
		V <sub>DD</sub> off, V <sub>DDA</sub> off, V <sub>BAT</sub> =1.8V, LXTAL on with external crystal, RTC on, LXTAL Low driving, backup SARM LDO ON	—	6.7	—	μA
		V <sub>DD</sub> off, V <sub>DDA</sub> off, V <sub>BAT</sub> =3.6V, LXTAL on with external crystal, RTC on, LXTAL Low driving, backup SARM LDO OFF	—	1.27	—	μA
		V <sub>DD</sub> off, V <sub>DDA</sub> off, V <sub>BAT</sub> =3.3V, LXTAL on with external crystal, RTC on, LXTAL Low driving, backup SARM LDO OFF	—	1.18	—	μA
		V <sub>DD</sub> off, V <sub>DDA</sub> off, V <sub>BAT</sub> =2.6V, LXTAL on with external crystal, RTC on, LXTAL Low driving, backup SARM LDO OFF	—	1.06	—	μA
		V <sub>DD</sub> off, V <sub>DDA</sub> off, V <sub>BAT</sub> =1.8V, LXTAL on with external crystal, RTC on, LXTAL Low driving, backup SARM LDO OFF	—	0.96	—	μA

- (1) Based on characterization, not tested in production.
- (2) Unless otherwise specified, all values given for T<sub>A</sub> = 25 °C and test result is mean value.
- (3) When System Clock is less than 4 MHz, an external source is used, and the HXTAL bypass function is needed, no PLL.
- (4) When System Clock is greater than 8 MHz, a crystal 8 MHz is used, and the HXTAL bypass function is closed, using PLL.
- (5) When analog peripheral blocks such as ADCs, DACs, HXTAL, LXTAL, IRC16M, or IRC32K are ON, an additional power consumption should be considered.

**Figure 4-2. Typical supply current consumption in Run mode**

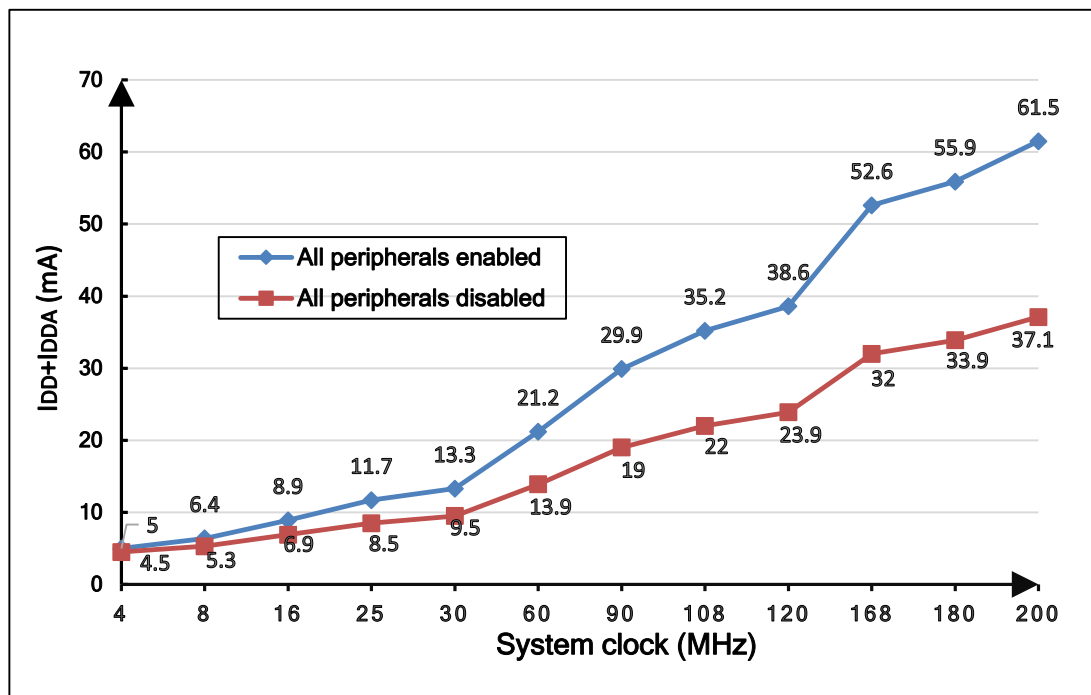
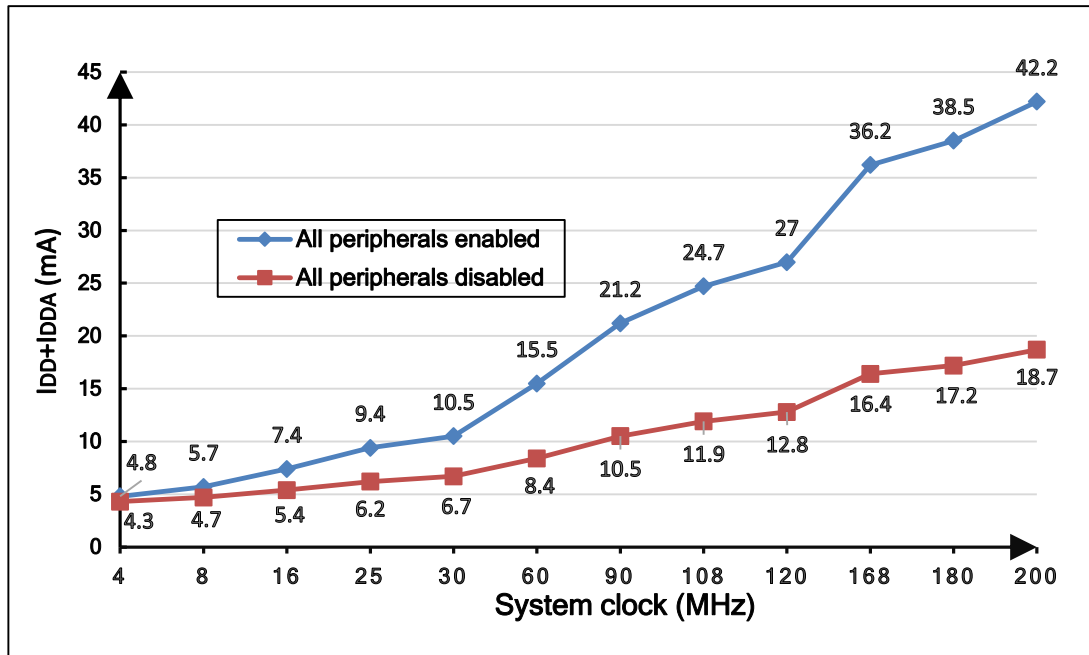


Figure 4-3. Typical supply current consumption in Sleep mode



#### 4.4. EMC characteristics

EMS (electromagnetic susceptibility) includes ESD (Electrostatic discharge, positive and negative) and FTB (Burst of Fast Transient voltage, positive and negative) testing result is given in [Table 4-8. EMS characteristics](#), based on the EMS levels and classes compliant with IEC 61000 series standard.

Table 4-8. EMS characteristics<sup>(1)</sup>

Symbol	Parameter	Conditions	Level/Class
V <sub>ESD</sub>	Voltage applied to all device pins to induce a functional disturbance	V <sub>DD</sub> = 3.3 V, T <sub>A</sub> = 25 °C LQFP144, f <sub>HCLK</sub> = 200 MHz conforms to IEC 61000-4-2	3A
V <sub>FTB</sub>	Fast transient voltage burst applied to induce a functional disturbance through 100 pF on V <sub>DD</sub> and V <sub>SS</sub> pins	V <sub>DD</sub> = 3.3 V, T <sub>A</sub> = 25 °C LQFP144, f <sub>HCLK</sub> = 200 MHz conforms to IEC 61000-4-4	3A

(1) Based on characterization, not tested in production.

EMI (Electromagnetic Interference) emission test result is given in the [Table 4-9. EMI characteristics](#)<sup>(1)</sup>, The electromagnetic field emitted by the device are monitored while an application, executing EEMBC code, is running. The test is compliant with SAE J1752-3:2017 standard which specifies the test board and the pin loading.

Table 4-9. EMI characteristics<sup>(1)</sup>

Symbol	Parameter	Conditions	Tested frequency band	Max vs.	Unit
				[f <sub>HXTAL</sub> /f <sub>HCLK</sub> ]	
				25/240 MHz	
S <sub>EMI</sub>	Peak level	V <sub>DD</sub> = 3.6 V, T <sub>A</sub> = +25 °C, LQFP144, f <sub>HCLK</sub> = 200 MHz, conforms to SAE J1752-3:2017	0.15 MHz to 30 MHz		dBμV
			30 MHz to 130 MHz		
			130 MHz to 1 GHz		

(1) Based on characterization, not tested in production.

## 4.5. Power supply supervisor characteristics

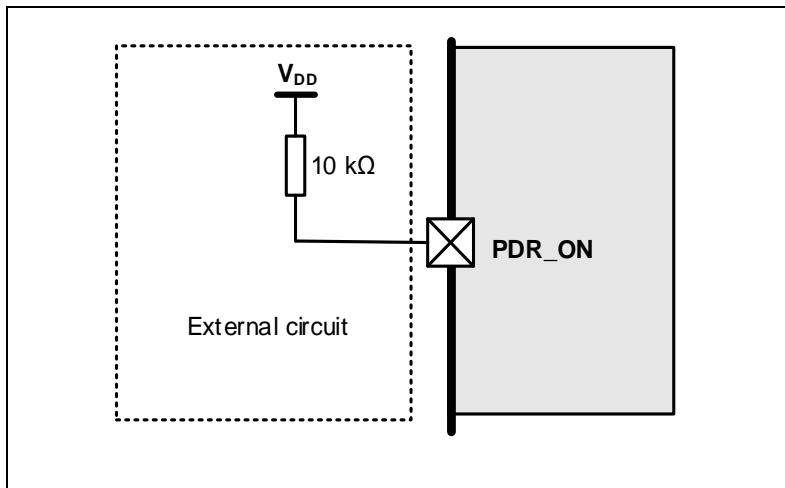
Table 4-10. Power supply supervisor characteristics

Symbol	Parameter	Conditions	Min	Typ	Max	Unit
V <sub>LVD</sub> <sup>(1)</sup>	Low voltage Detector level selection	LVDT<2:0> = 000(rising edge)	—	2.1	—	V
		LVDT<2:0> = 000(falling edge)	—	1.98	—	
		LVDT<2:0> = 001(rising edge)	—	2.23	—	
		LVDT<2:0> = 001(falling edge)	—	2.12	—	
		LVDT<2:0> = 010(rising edge)	—	2.36	—	
		LVDT<2:0> = 010(falling edge)	—	2.25	—	
		LVDT<2:0> = 011(rising edge)	—	2.50	—	
		LVDT<2:0> = 011(falling edge)	—	2.38	—	
		LVDT<2:0> = 100(rising edge)	—	2.62	—	
		LVDT<2:0> = 100(falling edge)	—	2.52	—	
		LVDT<2:0> = 101(rising edge)	—	2.74	—	
		LVDT<2:0> = 101(falling edge)	—	2.66	—	
		LVDT<2:0> = 110(rising edge)	—	2.90	—	
		LVDT<2:0> = 110(falling edge)	—	2.80	—	
V <sub>LVDhyst</sub> <sup>(2)</sup>	LVD hysteresis	—	—	100	—	mV
V <sub>POR</sub> <sup>(1)</sup>	Power on reset threshold	—	—	2.45	—	V
V <sub>PDR</sub> <sup>(1)</sup>	Power down reset threshold	—	—	1.82	—	V

Symbol	Parameter	Conditions	Min	Typ	Max	Unit
$V_{PDRhyst}^{(2)}$	PDR hysteresis	—	—	600	—	mV
$V_{BOR3}^{(1)}$	Brownout level 3 threshold	Falling edge	—	2.80	—	V
		Rising edge	—	2.89	—	V
$V_{BOR2}^{(1)}$	Brownout level 2 threshold	Falling edge	—	2.51	—	V
		Rising edge	—	2.59	—	V
$V_{BOR1}^{(1)}$	Brownout level 1 threshold	Falling edge	—	2.20	—	V
		Rising edge	—	2.30	—	V
$V_{BORhyst}^{(2)}$	BOR hysteresis	—	—	100	—	mV
$t_{RSTTEMPO}^{(2)}$	Reset temporization	—	—	2	—	ms

- (1) Based on characterization, not tested in production.  
 (2) Guaranteed by design, not tested in production.

**Figure 4-4. Recommended PDR\_ON pin circuit**



- (1) The PDR supervisor can be enabled/disabled through PDR\_ON pin.  
 (2) When PDR\_ON pin is connected to  $V_{SS}$  (Internal Reset OFF), the  $V_{BAT}$  functionality is no more available and  $V_{BAT}$  pin should be connected to  $V_{DD}$ .

## 4.6. Electrical sensitivity

The device is strained in order to determine its performance in terms of electrical sensitivity. Electrostatic discharges (ESD) are applied directly to the pins of the sample. Static latch-up (LU) test is based on the two measurement methods.

**Table 4-11. ESD characteristics<sup>(1)</sup>**

Symbol	Parameter	Conditions	Min	Typ	Max	Unit
$V_{ESD(HBM)}$	Electrostatic discharge voltage (human body model)	$T_A=25\text{ °C}$ ; JS-001-2017	—	—	5000	V
$V_{ESD(CDM)}$	Electrostatic discharge voltage (charge device model)	$T_A=25\text{ °C}$ ; JS-002-2018	—	—	1000	V

(1) Based on characterization, not tested in production.

**Table 4-12. Static latch-up characteristics<sup>(1)</sup>**

Symbol	Parameter	Conditions	Min	Typ	Max	Unit
LU	I-test	T <sub>A</sub> =105 °C; JESD78	—	—	±200	mA
	V <sub>supply</sub> over voltage		—	—	5.4	V

(1) Based on characterization, not tested in production.

## 4.7. External clock characteristics

**Table 4-13. High speed external clock (HXTAL) generated from a crystal/ceramic characteristics**

Symbol	Parameter	Conditions	Min	Typ	Max	Unit
f <sub>HXTAL</sub> <sup>(1)</sup>	Crystal or ceramic frequency	2.6 V ≤ V <sub>DD</sub> ≤ 3.6 V	4	25	32	MHz
R <sub>F</sub> <sup>(2)</sup>	Feedback resistor	V <sub>DD</sub> = 3.3 V	—	400	—	kΩ
C <sub>HXTAL</sub> <sup>(2) (3)</sup>	Recommended matching capacitance on OSCIN and OSCOUT	—	—	20	30	pF
D <sub>ucy(HXTAL)</sub> <sup>(2)</sup>	Crystal or ceramic duty cycle	—	30	50	70	%
g <sub>m</sub> <sup>(2)</sup>	Oscillator transconductance	Startup	—	25	—	mA/V
I <sub>DDHXTAL</sub> <sup>(1)</sup>	Crystal or ceramic operating current	V <sub>DD</sub> = 3.3 V	—	1.2	—	mA
t <sub>SUHXTAL</sub> <sup>(1)</sup>	Crystal or ceramic startup time	V <sub>DD</sub> = 3.3 V	—	0.42	—	ms

(1) Based on characterization, not tested in production.

(2) Guaranteed by design, not tested in production.

(3) C<sub>HXTAL1</sub> = C<sub>HXTAL2</sub> = 2\*(C<sub>LOAD</sub> - C<sub>S</sub>), For C<sub>HXTAL1</sub> and C<sub>HXTAL2</sub>, it is recommended matching capacitance on OSCIN and OSCOUT. For C<sub>LOAD</sub>, it is crystal/ceramic load capacitance, provided by the crystal or ceramic manufacturer. For C<sub>S</sub>, it is PCB and MCU pin stray capacitance.

**Table 4-14. High speed external clock characteristics (HXTAL in bypass mode)**

Symbol	Parameter	Conditions	Min	Typ	Max	Unit
f <sub>HXTAL_ext</sub> <sup>(1)</sup>	External clock source or oscillator frequency	2.6 V ≤ V <sub>DD</sub> ≤ 3.6 V	1	—	50	MHz
V <sub>HXTALH</sub> <sup>(2)</sup>	OSCIN input pin high level voltage	V <sub>DD</sub> = 3.3 V	0.7 V <sub>DD</sub>	—	V <sub>DD</sub>	V
V <sub>HXTALL</sub> <sup>(2)</sup>	OSCIN input pin low level voltage		V <sub>SS</sub>	—	0.3 V <sub>DD</sub>	V
t <sub>H/L(HXTAL)</sub> <sup>(2)</sup>	OSCIN high or low time	—	5	—	—	ns
t <sub>R/F(HXTAL)</sub> <sup>(2)</sup>	OSCIN rise or fall time	—	—	—	10	ns
C <sub>IN</sub> <sup>(2)</sup>	OSCIN input capacitance	—	—	5	—	pF
D <sub>ucy(HXTAL)</sub> <sup>(2)</sup>	Duty cycle	—	40	—	60	%

(1) Based on characterization, not tested in production.

(2) Guaranteed by design, not tested in production.

**Table 4-15. Low speed external clock (LXTAL) generated from a crystal/ceramic**



**characteristics**

Symbol	Parameter	Conditions	Min	Typ	Max	Unit
$f_{LXTAL}^{(1)}$	Crystal or ceramic frequency	$V_{DD} = 3.3\text{ V}$	—	32.768	—	kHz
$C_{LXTAL}^{(2)(3)}$	Recommended matching capacitance on OSC32IN and OSC32OUT	—	—	15	—	pF
$Ducy_{(LXTAL)}^{(2)}$	Crystal or ceramic duty cycle	—	30	—	70	%
$g_m^{(2)}$	Oscillator transconductance	Medium low driving capability	—	6	—	$\mu\text{A/V}$
		Higher driving capability	—	18	—	
$I_{DDLXTAL}^{(1)}$	Crystal or ceramic operating current	LXTALDRI= 0	—	0.8	—	$\mu\text{A}$
		LXTALDRI= 1	—	1.6	—	
$t_{SULXTAL}^{(1)(4)}$	Crystal or ceramic startup time	LXTALDRI= 0	—	369	—	ms
		LXTALDRI= 1	—	175	—	ms

- (1) Based on characterization, not tested in production.  
(2) Guaranteed by design, not tested in production.  
(3)  $C_{LXTAL1} = C_{LXTAL2} = 2 * (C_{LOAD} - C_S)$ , For  $C_{LXTAL1}$  and  $C_{LXTAL2}$ , it is recommended matching capacitance on OSC32IN and OSC32OUT. For  $C_{LOAD}$ , it is crystal/ceramic load capacitance, provided by the crystal or ceramic manufacturer. For  $C_S$ , it is PCB and MCU pin stray capacitance.  
(4)  $t_{SULXTAL}$  is the startup time measured from the moment it is enabled (by software) to the 32.768 kHz oscillator stabilization flags is SET. This value varies significantly with the crystal manufacturer.

**Table 4-16. Low speed external user clock characteristics (LXTAL in bypass mode)**

Symbol	Parameter	Conditions	Min	Typ	Max	Unit
$f_{LXTAL\_ext}^{(1)}$	External clock source or oscillator frequency	$V_{DD} = 3.3\text{ V}$	—	32.768	1000	kHz
$V_{LXTALH}^{(2)}$	OSC32IN input pin high level voltage	—	$0.7 V_{DD}$	—	$V_{DD}$	V
$V_{LXTALL}^{(2)}$	OSC32IN input pin low level voltage	—	$V_{SS}$	—	$0.3 V_{DD}$	
$t_{H/L(LXTAL)}^{(2)}$	OSC32IN high or low time	—	450	—	—	ns
$t_{R/F(LXTAL)}^{(2)}$	OSC32IN rise or fall time	—	—	—	50	
$C_{IN}^{(2)}$	OSC32IN input capacitance	—	—	5	—	pF
$Ducy_{(LXTAL)}^{(2)}$	Duty cycle	—	30	50	70	%

- (1) Based on characterization, not tested in production.  
(2) Guaranteed by design, not tested in production.

## 4.8. Internal clock characteristics

**Table 4-17. High speed internal clock (IRC16M) characteristics**

Symbol	Parameter	Conditions	Min	Typ	Max	Unit
$f_{IRC16M}$	High Speed Internal Oscillator (IRC16M) frequency	$V_{DD} = V_{DDA} = 3.3\text{ V}$	—	16	—	MHz
$ACC_{IRC16M}$	IRC16M oscillator Frequency accuracy, Factory-trimmed	$V_{DD} = V_{DDA} = 3.3\text{ V}$ , $T_A = -40\text{ °C} \sim +85\text{ °C}$	—	-1.73 to +1.1 <sup>(1)</sup>	—	%
		$V_{DD} = V_{DDA} = 3.3\text{ V}$ , $T_A = 25\text{ °C}$	-1.0	—	+1.0	%
	IRC16M oscillator Frequency accuracy, User trimming step	—	—	0.5	—	%
$Ducy_{IRC16M}^{(2)}$	IRC16M oscillator duty cycle	$V_{DD} = V_{DDA} = 3.3\text{ V}$	45	50	55	%
$I_{DDIRC16M}$ $+I_{DDAIRC16M}^{(1)}$	IRC16M oscillator operating current	$V_{DD} = V_{DDA} = 3.3\text{ V}$ , $f_{HCLK} = f_{HXTAL} = 25\text{ MHz}$	—	47	—	$\mu\text{A}$
$t_{SUIRC16M}^{(1)}$	IRC16M oscillator startup time	$V_{DD} = V_{DDA} = 3.3\text{ V}$ , $f_{HCLK} = f_{HXTAL\_PLL} = 200\text{ MHz}$	—	1.18	—	$\mu\text{s}$

(1) Based on characterization, not tested in production.

(2) Guaranteed by design, not tested in production.

**Table 4-18. High speed internal clock (IRC48M) characteristics**

Symbol	Parameter	Conditions	Min	Typ	Max	Unit
$f_{IRC48M}$	High Speed Internal Oscillator (IRC48M) frequency	$V_{DD} = 3.3\text{ V}$	—	48	—	MHz
$ACC_{IRC48M}$	IRC48M oscillator Frequency accuracy, Factory-trimmed	$V_{DD} = V_{DDA} = 3.3\text{ V}$ , $T_A = -40\text{ °C} \sim +85\text{ °C}$	—	-1.31 to -0.39 <sup>(1)</sup>	—	%
		$V_{DD} = V_{DDA} = 3.3\text{ V}$ , $T_A = 25\text{ °C}$	-2.0	—	+2.0	%
	IRC48M oscillator Frequency accuracy, User trimming step	—	—	0.12	—	%
$Ducy_{IRC48M}^{(2)}$	IRC48M oscillator duty cycle	$V_{DD} = V_{DDA} = 3.3\text{ V}$	45	50	55	%
$I_{DDIRC48M}$ $+I_{DDAIRC48M}^{(1)}$	IRC48M oscillator operating current	$V_{DD} = V_{DDA} = 3.3\text{ V}$ , $f_{HCLK} = f_{IRC16M} = 16\text{ MHz}$	—	358	—	$\mu\text{A}$
$t_{SUIRC48M}^{(1)}$	IRC48M oscillator startup time	$V_{DD} = V_{DDA} = 3.3\text{ V}$ , $f_{HCLK} = f_{HXTAL\_PLL} = 200\text{ MHz}$	—	1.23	—	$\mu\text{s}$

(1) Based on characterization, not tested in production.

(2) Guaranteed by design, not tested in production.

**Table 4-19. Low speed internal clock (IRC32K) characteristics**

Symbol	Parameter	Conditions	Min	Typ	Max	Unit
$f_{IRC32K}^{(1)}$	Low Speed Internal oscillator (IRC32K) frequency	$V_{DD} = V_{DDA} = 3.3\text{ V}$ , $T_A = -40\text{ }^\circ\text{C} \sim +85\text{ }^\circ\text{C}$	—	32	—	kHz
$I_{DDAIRC32K}^{(2)}$	IRC32K oscillator operating current	$V_{DD} = V_{DDA} = 3.3\text{ V}$ , $f_{HCLK} = f_{IRC16M} = 16\text{ MHz}$ ,	—	0.43	—	$\mu\text{A}$
$t_{SUIRC32K}^{(2)}$	IRC32K oscillator startup time	$V_{DD} = V_{DDA} = 3.3\text{ V}$ , $f_{HCLK} =$ $f_{HXTAL\_PLL} = 200\text{ MHz}$ ,	—	22.1	—	$\mu\text{s}$

(1) Guaranteed by design, not tested in production.

(2) Based on characterization, not tested in production.

## 4.9. PLL characteristics

**Table 4-20. PLL characteristics**

Symbol	Parameter	Conditions	Min	Typ	Max	Unit
$f_{PLLIN}^{(1)}$	PLL input clock frequency	—	1	—	4	MHz
$f_{PLLOUT}^{(2)}$	PLL output clock frequency	—	100	—	500	MHz
$f_{VCO}^{(2)}$	PLL VCO output clock frequency	—	32	—	344	MHz
$t_{LOCK}^{(2)}$	PLL lock time	—	—	—	400	$\mu\text{s}$
$I_{DDA}^{(1)(3)}$	Current consumption on VDDA	VCO freq = 400 MHz	—	797	—	$\mu\text{A}$
Jitter <sub>PLL</sub>	Cycle to cycle Jitter(rms)	System clock	—	40	—	ps
	Cycle to cycle Jitter (peak to peak)		—	400	—	

(1) Based on characterization, not tested in production.

(2) Guaranteed by design, not tested in production.

(3) System clock = HXTAL = 25 MHz, PLL clock source = HXTAL/25 = 1 MHz,  $f_{PLLOUT} = 100\text{ MHz}$ .

(4) Value given with main PLL running.

**Table 4-21. PLLI2S characteristics**

Symbol	Parameter	Conditions	Min	Typ	Max	Unit
$f_{PLLIN}^{(1)}$	PLLI2S input clock frequency	—	1	—	4	MHz
$f_{PLLOUT}^{(2)}$	PLLI2S output clock frequency	—	100	—	500	MHz
$f_{VCO}^{(2)}$	PLLI2S VCO output clock frequency	—	32	—	344	MHz
$t_{LOCK}^{(2)}$	PLLI2S lock time	—	—	—	400	$\mu\text{s}$
$I_{DDA}^{(1)(3)}$	Current consumption on VDDA	VCO freq = 400 MHz	—	814	—	$\mu\text{A}$
Jitter <sub>PLL</sub>	Cycle to cycle Jitter(rms)	System clock	—	40	—	ps
	Cycle to cycle Jitter (peak to peak)		—	400	—	

- (1) Based on characterization, not tested in production.
- (2) Guaranteed by design, not tested in production.
- (3) System clock = HXTAL = 25 MHz, PLL clock source = HXTAL/25 = 1 MHz,  $f_{\text{PLLOUT}} = 100$  MHz.
- (4) Value given with main PLLI2S running.

**Table 4-22. PLLSAI characteristics**

Symbol	Parameter	Conditions	Min	Typ	Max	Unit
$f_{\text{PLLIN}}^{(1)}$	PLLSAI input clock frequency	—	1	—	4	MHz
$f_{\text{PLLOUT}}^{(2)}$	PLLSAI output clock frequency	—	100	—	500	MHz
$f_{\text{VCO}}^{(2)}$	PLLSAI VCO output clock frequency	—	32	—	344	MHz
$t_{\text{LOCK}}^{(2)}$	PLLSAI lock time	—	—	—	400	$\mu\text{s}$
$I_{\text{DDA}}^{(1)(3)}$	Current consumption on VDDA	VCO freq = 400 MHz	—	796	—	$\mu\text{A}$
Jitter <sub>PLL</sub>	Cycle to cycle Jitter(rms)	System clock	—	40	—	ps
	Cycle to cycle Jitter (peak to peak)		—	400	—	

- (1) Based on characterization, not tested in production.
- (2) Guaranteed by design, not tested in production.
- (3) System clock = HXTAL = 25 MHz, PLL clock source = HXTAL/25 = 1 MHz,  $f_{\text{PLLOUT}} = 100$  MHz.
- (4) Value given with main PLLSAI running.

**Table 4-23. PLL spread spectrum clock generation (SSCG) characteristics**

Symbol	Parameter	Conditions	Min	Typ	Max	Unit
$f_{\text{mod}}$	Modulation frequency	—	—	—	10	KHz
mdamp	Peak modulation amplitude	—	—	—	2	%
MODCNT* MODSTEP	—	—	—	—	$2^{15}-1$	—

- (1) Based on characterization, not tested in production.
- (2) Guaranteed by design, not tested in production.

**Equation 1:** SSCG configuration equation:

$$\text{MODCNT} = \text{round}(f_{\text{PLLIN}}/4/f_{\text{mod}})$$

$$\text{MODSTEP} = \text{round}(\text{mdamp} * \text{PLL} * 2^{14}/(\text{MODCNT} * 100))$$

The formula above (Equation 1) is SSCG configuration equation.

## 4.10. Memory characteristics

**Table 4-24. Flash memory characteristics**

Symbol	Parameter	Conditions	Min <sup>(1)</sup>	Typ <sup>(1)</sup>	Max <sup>(2)</sup>	Unit
PE <sub>CYC</sub>	Number of guaranteed program /erase cycles before failure (Endurance)	T <sub>A</sub> = -40 °C ~ +85 °C	50	—	—	kcycles
t <sub>RET</sub>	Data retention time	—	—	20	—	years
t <sub>PROG</sub>	Word programming time	T <sub>A</sub> = -40 °C ~ +85 °C	—	37.5	180	μs
t <sub>ERASE16kB</sub>	Sector(16kB) erase time	T <sub>A</sub> = -40 °C ~ +85 °C	—	200	2000	ms
t <sub>ERASE64kB</sub>	Sector(64kB) erase time		—	300	4000	
t <sub>ERASE128kB</sub>	Sector(128kB) erase time		—	600	8000	
t <sub>MERASE(512K)</sub>	Mass erase time	T <sub>A</sub> = -40 °C ~ +85 °C	—	2.4	32	s
t <sub>MERASE(1MB)</sub>	Mass erase time	T <sub>A</sub> = -40 °C ~ +85 °C	—	4.8	64	s
t <sub>MERASE(2MB)</sub>	Mass erase time	T <sub>A</sub> = -40 °C ~ +85 °C	—	9.6	128	s
t <sub>MERASE(3MB)</sub>	Mass erase time	T <sub>A</sub> = -40 °C ~ +85 °C	—	14.4	192	s

(1) Based on characterization, not tested in production.

(2) Guaranteed by design, not tested in production.

## 4.11. NRST pin characteristics

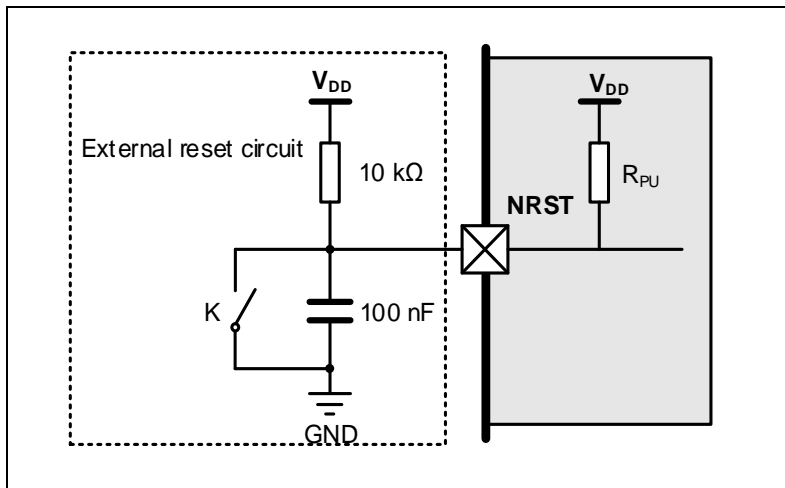
**Table 4-25. NRST pin characteristics**

Symbol	Parameter	Conditions	Min	Typ	Max	Unit
V <sub>IL(NRST)</sub> <sup>(1)</sup>	NRST Input low level voltage	V <sub>DD</sub> = V <sub>DDA</sub> = 2.6 V	-0.3	—	0.3 V <sub>DD</sub>	V
V <sub>IH(NRST)</sub> <sup>(1)</sup>	NRST Input high level voltage		0.7 V <sub>DD</sub>	—	V <sub>DD</sub> + 0.3	
V <sub>hyst</sub> <sup>(1)</sup>	Schmidt trigger Voltage hysteresis		—	440	—	mV
V <sub>IL(NRST)</sub> <sup>(1)</sup>	NRST Input low level voltage	V <sub>DD</sub> = V <sub>DDA</sub> = 3.3 V	-0.3	—	0.3 V <sub>DD</sub>	V
V <sub>IH(NRST)</sub> <sup>(1)</sup>	NRST Input high level voltage		0.7 V <sub>DD</sub>	—	V <sub>DD</sub> + 0.3	
V <sub>hyst</sub> <sup>(1)</sup>	Schmidt trigger Voltage hysteresis		—	490	—	mV
V <sub>IL(NRST)</sub> <sup>(1)</sup>	NRST Input low level voltage	V <sub>DD</sub> = V <sub>DDA</sub> = 3.6 V	-0.3	—	0.3 V <sub>DD</sub>	V
V <sub>IH(NRST)</sub> <sup>(1)</sup>	NRST Input high level voltage		0.7 V <sub>DD</sub>	—	V <sub>DD</sub> + 0.3	
V <sub>hyst</sub> <sup>(1)</sup>	Schmidt trigger Voltage hysteresis		—	510	—	mV
R <sub>pu</sub> <sup>(2)</sup>	Pull-up equivalent resistor	—	—	40	—	kΩ

(1) Based on characterization, not tested in production.

(2) Guaranteed by design, not tested in production.

Figure 4-5. Recommended external NRST pin circuit



## 4.12. GPIO characteristics

Table 4-26. I/O port DC characteristics<sup>(1)(3)</sup>

Symbol	Parameter	Conditions	Min	Typ	Max	Unit	
V <sub>IL</sub>	Standard IO Low level input voltage	2.6 V ≤ V <sub>DD</sub> = V <sub>DDA</sub> ≤ 3.6 V	—	—	0.3 V <sub>DD</sub>	V	
	5V-tolerant IO Low level input voltage	2.6 V ≤ V <sub>DD</sub> = V <sub>DDA</sub> ≤ 3.6 V	—	—	0.3 V <sub>DD</sub>	V	
V <sub>IH</sub>	Standard IO Low level input voltage	2.6 V ≤ V <sub>DD</sub> = V <sub>DDA</sub> ≤ 3.6 V	0.7 V <sub>DD</sub>	—	—	V	
	5V-tolerant IO Low level input voltage	2.6 V ≤ V <sub>DD</sub> = V <sub>DDA</sub> ≤ 3.6 V	0.7 V <sub>DD</sub>	—	—	V	
R <sub>PU</sub> <sup>(2)</sup>	Internal pull-up resistor	All pins	V <sub>IN</sub> = V <sub>SS</sub>	—	40	—	kΩ
		PA10	—	—	10	—	
R <sub>PD</sub> <sup>(2)</sup>	Internal pull-down resistor	All pins	V <sub>IN</sub> = V <sub>DD</sub>	—	40	—	kΩ
		PA10	—	—	10	—	
<b>IO_Speed:level 3</b>							
V <sub>OL</sub>	Low level output voltage for an IO Pin (I <sub>IO</sub> = +8 mA)	V <sub>DD</sub> = 2.6 V	—	—	0.11	V	
		V <sub>DD</sub> = 3.3 V	—	—	0.10		
		V <sub>DD</sub> = 3.6 V	—	—	0.10		
	Low level output voltage for an IO Pin (I <sub>IO</sub> = +20 mA)	V <sub>DD</sub> = 2.6 V	—	—	0.29		
		V <sub>DD</sub> = 3.3 V	—	—	0.27		
		V <sub>DD</sub> = 3.6 V	—	—	0.26		
V <sub>OH</sub>	High level output voltage for an IO Pin (I <sub>IO</sub> = +8 mA)	V <sub>DD</sub> = 2.6 V	2.46	—	—		
		V <sub>DD</sub> = 3.3 V	3.18	—	—		
		V <sub>DD</sub> = 3.6 V	3.48	—	—		
	High level output voltage for an IO Pin	V <sub>DD</sub> = 2.6 V	2.22	—	—		
		V <sub>DD</sub> = 3.3 V	2.98	—	—		

Symbol	Parameter	Conditions	Min	Typ	Max	Unit
	(I <sub>IO</sub> = +20 mA)	V <sub>DD</sub> = 3.6 V	3.29	—	—	
<b>IO_Speed:level 2</b>						
V <sub>OL</sub>	Low level output voltage for an IO Pin (I <sub>IO</sub> = +8 mA)	V <sub>DD</sub> = 2.6 V	—	—	0.16	V
		V <sub>DD</sub> = 3.3 V	—	—	0.14	
		V <sub>DD</sub> = 3.6 V	—	—	0.14	
	Low level output voltage for an IO Pin (I <sub>IO</sub> = +20 mA)	V <sub>DD</sub> = 2.6 V	—	—	0.43	
		V <sub>DD</sub> = 3.3 V	—	—	0.37	
		V <sub>DD</sub> = 3.6 V	—	—	0.36	
V <sub>OH</sub>	High level output voltage for an IO Pin (I <sub>IO</sub> = +8 mA)	V <sub>DD</sub> = 2.6 V	2.40	—	—	
		V <sub>DD</sub> = 3.3 V	3.12	—	—	
		V <sub>DD</sub> = 3.6 V	3.44	—	—	
	High level output voltage for an IO Pin (I <sub>IO</sub> = +20 mA)	V <sub>DD</sub> = 2.6 V	2.05	—	—	
		V <sub>DD</sub> = 3.3 V	2.84	—	—	
		V <sub>DD</sub> = 3.6 V	3.17	—	—	
<b>IO_Speed:level 1</b>						
V <sub>OL</sub>	Low level output voltage for an IO Pin (I <sub>IO</sub> = +8 mA)	V <sub>DD</sub> = 2.6 V	—	—	0.28	V
		V <sub>DD</sub> = 3.3 V	—	—	0.28	
		V <sub>DD</sub> = 3.6 V	—	—	0.24	
	(I <sub>IO</sub> = +15 mA)	V <sub>DD</sub> = 2.6 V	—	—	0.57	
	Low level output voltage for an IO Pin (I <sub>IO</sub> = +20 mA)	V <sub>DD</sub> = 3.3 V	—	—	0.66	
		V <sub>DD</sub> = 3.6 V	—	—	0.64	
V <sub>OH</sub>	High level output voltage for an IO Pin (I <sub>IO</sub> = +8 mA)	V <sub>DD</sub> = 2.6 V	2.23	—	—	
		V <sub>DD</sub> = 3.3 V	3.00	—	—	
		V <sub>DD</sub> = 3.6 V	3.31	—	—	
	(I <sub>IO</sub> = +15 mA)	V <sub>DD</sub> = 2.6 V	1.83	—	—	
	High level output voltage for an IO Pin (I <sub>IO</sub> = +20 mA)	V <sub>DD</sub> = 3.3 V	2.45	—	—	
		V <sub>DD</sub> = 3.6 V	2.81	—	—	
<b>IO_Speed:level 0</b>						
V <sub>OL</sub>	Low level output voltage for an IO Pin (I <sub>IO</sub> = +1 mA)	V <sub>DD</sub> = 2.6 V	—	—	0.17	V
		V <sub>DD</sub> = 3.3 V	—	—	0.15	
		V <sub>DD</sub> = 3.6 V	—	—	0.15	
	Low level output voltage for an IO Pin (I <sub>IO</sub> = +4 mA)	V <sub>DD</sub> = 2.6 V	—	—	0.80	
		V <sub>DD</sub> = 3.3 V	—	—	0.63	
		V <sub>DD</sub> = 3.6 V	—	—	0.60	
V <sub>OH</sub>	High level output voltage for an IO Pin (I <sub>IO</sub> = +1 mA)	V <sub>DD</sub> = 2.6 V	2.38	—	—	
		V <sub>DD</sub> = 3.3 V	3.12	—	—	
		V <sub>DD</sub> = 3.6 V	3.42	—	—	
	High level output voltage for an IO Pin	V <sub>DD</sub> = 2.6 V	1.45	—	—	
		V <sub>DD</sub> = 3.3 V	2.48	—	—	

Symbol	Parameter	Conditions	Min	Typ	Max	Unit
	(I <sub>IO</sub> = +4 mA)	V <sub>DD</sub> = 3.6 V	2.83	—	—	

- (1) Based on characterization, not tested in production.
- (2) Guaranteed by design, not tested in production.
- (3) All pins except PC13 / PC14 / PC15 / PI8. Since PC13 to PC15 and PI8 are supplied through the Power Switch, which can only be obtained by a small current, the speed of GPIOs PC13 to PC15 and PI8 should not exceed 2 MHz when they are in output mode(maximum load: 30 pF).

**Table 4-27. I/O port AC characteristics<sup>(1)(2)(4)</sup>**

GPIOx_OSPD[1:0] bit value <sup>(3)</sup>	Parameter	Conditions	Max	Unit
GPIOx_OSPD0->OSPDy[1:0] = 00 (IO_Speed:level 0)	T <sub>Rise</sub> /T <sub>Fall</sub>	2.6 ≤ V <sub>DD</sub> ≤ 3.6 V, C <sub>L</sub> = 10 pF	51	ns
		2.6 ≤ V <sub>DD</sub> ≤ 3.6 V, C <sub>L</sub> = 30 pF	63.2	
		2.6 ≤ V <sub>DD</sub> ≤ 3.6 V, C <sub>L</sub> = 50 pF	74.2	
GPIOx_OSPD0->OSPDy[1:0] = 01 (IO_Speed:level 1)	T <sub>Rise</sub> /T <sub>Fall</sub>	2.6 ≤ V <sub>DD</sub> ≤ 3.6 V, C <sub>L</sub> = 10 pF	3.6	ns
		2.6 ≤ V <sub>DD</sub> ≤ 3.6 V, C <sub>L</sub> = 30 pF	9.6	
		2.6 ≤ V <sub>DD</sub> ≤ 3.6 V, C <sub>L</sub> = 50 pF	12.2	
GPIOx_OSPD0->OSPDy[1:0] = 10 (IO_Speed: level 2)	T <sub>Rise</sub> /T <sub>Fall</sub>	2.6 ≤ V <sub>DD</sub> ≤ 3.6 V, C <sub>L</sub> = 10 pF	2.2	ns
		2.6 ≤ V <sub>DD</sub> ≤ 3.6 V, C <sub>L</sub> = 30 pF	3	
		2.6 ≤ V <sub>DD</sub> ≤ 3.6 V, C <sub>L</sub> = 50 pF	3.8	
GPIOx_OSPD0->OSPDy[1:0] = 11 (IO_Speed:level 3)	T <sub>Rise</sub> /T <sub>Fall</sub>	2.6 ≤ V <sub>DD</sub> ≤ 3.6 V, C <sub>L</sub> = 10 pF	2	ns
		2.6 ≤ V <sub>DD</sub> ≤ 3.6 V, C <sub>L</sub> = 30 pF	2.8	
		2.6 ≤ V <sub>DD</sub> ≤ 3.6 V, C <sub>L</sub> = 50 pF	3.4	

- (1) Based on characterization, not tested in production.
- (2) Unless otherwise specified, all test results given for T<sub>A</sub> = 25 °C.
- (3) The I/O speed is configured using the GPIOx\_OSPD -> OSPDy[1:0] bits.
- (4) Only for reference, Depending on user's design.
- (5) Max frequency is defined when the sum of rise time plus the fall time is less than 2/3 cycle.



## 4.13. ADC characteristics

**Table 4-28. ADC characteristics**

Symbol	Parameter	Conditions	Min	Typ	Max	Unit
V <sub>DDA</sub> <sup>(1)</sup>	Operating voltage	—	2.6	3.3	3.6	V
V <sub>IN</sub> <sup>(1)</sup>	ADC input voltage range	—	0	—	V <sub>REF+</sub>	V
V <sub>REF+</sub> <sup>(2)</sup>	Positive Reference Voltage	—	2.6	—	V <sub>DDA</sub>	V
V <sub>REF-</sub> <sup>(2)</sup>	Negative Reference Voltage	—	—	V <sub>SSA</sub>	—	V
f <sub>ADC</sub> <sup>(1)</sup>	ADC clock	—	0.1	—	40	MHz
f <sub>s</sub> <sup>(1)</sup>	Sampling rate	12-bit	0.007	—	2.6	MS
		10-bit	0.008	—	3.1	
		8-bit	0.01	—	3.6	PS
		6-bit	0.011	—	4.4	
V <sub>AIN</sub> <sup>(1)</sup>	Analog input voltage	16 external;3 internal	0	—	V <sub>REF+</sub>	V
R <sub>AIN</sub> <sup>(2)</sup>	External input impedance	See <a href="#">Equation 2</a>	—	—	308.6	kΩ
R <sub>ADC</sub> <sup>(2)</sup>	Input sampling switch resistance	—	—	—	0.55	kΩ
C <sub>ADC</sub> <sup>(2)</sup>	Input sampling capacitance	No pin/pad capacitance included	—	—	4.0	pF
t <sub>CAL</sub> <sup>(2)</sup>	Calibration time	f <sub>ADC</sub> = 40 MHz	—	3.275	—	μs
t <sub>s</sub> <sup>(2)</sup>	Sampling time	f <sub>ADC</sub> = 40 MHz	0.075	—	12	μs
t <sub>CONV</sub> <sup>(2)</sup>	Total conversion time (including sampling time)	12-bit	—	15	—	1/ f <sub>ADC</sub>
		10-bit	—	13	—	
		8-bit	—	11	—	
		6-bit	—	9	—	
t <sub>SU</sub> <sup>(2)</sup>	Startup time	—	—	—	1	μs

(1) Based on characterization, not tested in production.

(2) Guaranteed by design, not tested in production.

**Equation 2:** R<sub>AIN</sub> max formula 
$$R_{AIN} < \frac{T_s}{f_{ADC} \cdot C_{ADC} \cdot \ln(2^{N+2})} - R_{ADC}$$

The formula above (Equation 2) is used to determine the maximum external impedance allowed for an error below 1/4 of LSB. Here N = 12 (from 12-bit resolution).

**Table 4-29. ADC RAIN max for f<sub>ADC</sub> = 40 MHz<sup>(2)</sup>**

T <sub>s</sub> (cycles)	t <sub>s</sub> (us)	R <sub>AIN</sub> max (KΩ)
3	0.075	1.3
15	0.375	9.1
28	0.7	17.4
55	1.375	34.8
84	2.1	53.5
112	2.8	71.5
144	3.6	92.1
480	12	308.6

- (1) Based on characterization, not tested in production.  
 (2) Guaranteed by design, not tested in production.

**Table 4-30. ADC dynamic accuracy at  $f_{ADC} = 40$  MHz<sup>(1)</sup>**

Symbol	Parameter	Test conditions	Min	Typ	Max	Unit
ENOB	Effective number of bits	$f_{ADC} = 40$ MHz	—	10.9	—	bits
SNDR	Signal-to-noise and distortion ratio	$V_{DDA} = V_{REF+} = 3.3$ V	—	67.3	—	
SNR	Signal-to-noise ratio	Input Frequency = 110 kHz	—	67.7	—	
THD	Total harmonic distortion	Temperature = 25 °C	—	-75	—	

- (1) Based on characterization, not tested in production.

**Table 4-31. ADC static accuracy at  $f_{ADC} = 40$  MHz<sup>(1)</sup>**

Symbol	Parameter	Test conditions	Typ	Max	Unit
Offset	Offset error	$f_{ADC} = 40$ MHz $V_{DDA} = V_{REF+} = 3.3$ V	±1	—	LSB
DNL	Differential linearity error		±1	—	
INL	Integral linearity error		±1.5	—	

- (1) Based on characterization, not tested in production.

## 4.14. Temperature sensor characteristics

**Table 4-32. Temperature sensor characteristics<sup>(1)</sup>**

Symbol	Parameter	Min	Typ	Max	Unit
$T_L$	VSENSE linearity with temperature	—	±1.5	—	°C
Avg_Slope	Average slope	—	4.4	—	mV/°C
$V_{25}$	Voltage at 25 °C	—	1.4	—	V
$t_{S\_temp}^{(2)}$	ADC sampling time when reading the temperature	—	17.1	—	µs

- (1) Based on characterization, not tested in production.  
 (2) Shortest sampling time can be determined in the application by multiple iterations.

## 4.15. DAC characteristics

**Table 4-33. DAC characteristics**

Symbol	Parameter	Conditions	Min	Typ	Max	Unit
$V_{DDA}^{(1)}$	Operating voltage	—	2.6	3.3	3.6	V
$V_{REF+}^{(2)}$	Positive Reference Voltage	—	2.6	—	$V_{DDA}$	V
$V_{REF-}^{(2)}$	Negative Reference Voltage	—	—	$V_{SSA}$	—	V
$R_{LOAD}^{(2)}$	Resistive load	Resistive load with buffer ON	5	—	—	kΩ
$R_o^{(2)}$	Impedance output	Impedance output with buffer OFF	—	—	15	kΩ
$C_{LOAD}^{(2)}$	Capacitive load	Capacitive load with buffer ON	—	—	50	pF
DAC_OUT min <sup>(2)</sup>	Lower DAC_OUT voltage	Lower DAC_OUT voltage with buffer ON	0.2	—	—	V

Symbol	Parameter	Conditions	Min	Typ	Max	Unit
		Lower DAC_OUT voltage with buffer OFF	0.5	—	—	mV
DAC_OUT max <sup>(2)</sup>	Higher DAC_OUT voltage	Higher DAC_OUT voltage with buffer ON	—	—	V <sub>DDA</sub> -0.2	V
		Higher DAC_OUT voltage with buffer OFF	—	—	V <sub>DDA</sub> -1LSB	V
I <sub>DDA</sub> <sup>(1)</sup>	DAC current consumption in quiescent mode	With no load, middle code(0x800) on the input, V <sub>REF+</sub> = 3.6 V	—	350	—	μA
		With no load, worst code(0xF1C) on the input, V <sub>REF+</sub> = 3.6 V	—	430	—	
I <sub>DDVREF+</sub> <sup>(1)</sup>	DAC current consumption in quiescent mode	With no load, middle code(0x800) on the input, V <sub>REF+</sub> = 3.6 V	—	115	—	μA
		With no load, worst code(0xF1C) on the input, V <sub>REF+</sub> = 3.6 V	—	298	—	
DNL <sup>(1)</sup>	Differential non linearity	10-bit configuration	—	—	±0.75	LSB
		12-bit configuration	—	—	±3	
INL <sup>(1)</sup>	Integral non linearity	10-bit configuration	—	—	±1.25	LSB
		12-bit configuration	—	—	±5	
Offset <sup>(1)</sup>	Offset error	DAC in 12-bit mode	—	—	±24	LSB
GE <sup>(1)</sup>	Gain error	DAC in 12-bit mode	—	—	±1.5	%
T <sub>setting</sub> <sup>(1)</sup>	Settling time	C <sub>LOAD</sub> ≤ 50 pF, R <sub>LOAD</sub> ≥ 5 kΩ	—	0.5	1	μs
T <sub>wakeup</sub> <sup>(2)</sup>	Wakeup from off state	—	—	5	10	μs
Update rate <sup>(2)</sup>	Max frequency for a correct DAC_OUT change from code i to i±1LSB	C <sub>LOAD</sub> ≤ 50 pF, R <sub>LOAD</sub> ≥ 5 kΩ	—	—	4	MS/s
PSRR <sup>(2)</sup>	Power supply rejection ratio(to V <sub>DDA</sub> )	No R <sub>LOAD</sub> , C <sub>LOAD</sub> =50 pF	—	-90	—	dB

(1) Based on characterization, not tested in production.

(2) Guaranteed by design, not tested in production.

## 4.16. I2C characteristics

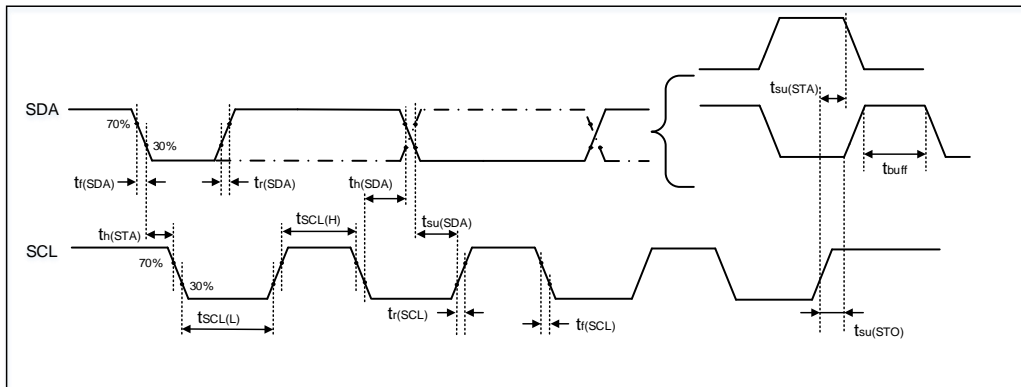
**Table 4-34. I2C characteristics<sup>(1)(2)</sup>**

Symbol	Parameter	Conditions	Standard mode		Fast mode		Unit
			Min	Max	Min	Max	
t <sub>SCL(H)</sub>	SCL clock high time	—	4.0	—	0.6	—	μs
t <sub>SCL(L)</sub>	SCL clock low time	—	4.7	—	1.3	—	μs
t <sub>SU(SDA)</sub>	SDA setup time	—	250	—	100	—	ns

Symbol	Parameter	Conditions	Standard mode		Fast mode		Unit
			Min	Max	Min	Max	
$t_{h(SDA)}$	SDA data hold time	—	0 <sup>(3)</sup>	3450	0	900	ns
$t_{r(SDA/SCL)}$	SDA and SCL rise time	—	—	1000	—	300	ns
$t_{f(SDA/SCL)}$	SDA and SCL fall time	—	—	300	—	300	ns
$t_{h(STA)}$	Start condition hold time	—	4.0	—	0.6	—	$\mu$ s
$t_{s(STA)}$	Repeated Start condition setup time	—	4.7	—	0.6	—	$\mu$ s
$t_{s(STO)}$	Stop condition setup time	—	4.0	—	0.6	—	$\mu$ s
$t_{buff}$	Stop to Start condition time (bus free)	—	4.7	—	1.3	—	$\mu$ s

- (1) Guaranteed by design, not tested in production.
- (2) To ensure the standard mode I2C frequency,  $f_{PCLK1}$  must be at least 2 MHz. To ensure the fast mode I2C frequency,  $f_{PCLK1}$  must be at least 4 MHz.
- (3) The device should provide a data hold time of 300 ns at least in order to bridge the undefined region of the falling edge of SCL.

**Figure 4-6. I2C bus timing diagram**



### 4.17. SPI characteristics

Table 4-35. Standard SPI characteristics<sup>(1)</sup>

Symbol	Parameter	Conditions	Min	Typ	Max	Unit
$f_{SCK}$	SCK clock frequency	—	—	—	30	MHz
$t_{SCK(H)}$	SCK clock high time	Master mode, $f_{PCLKx} = 120\text{ MHz}$ , presc = 4	14.67	16.67	18.67	ns
$t_{SCK(L)}$	SCK clock low time	Master mode, $f_{PCLKx} = 120\text{ MHz}$ , presc = 4	14.67	16.67	18.67	ns
<b>SPI master mode</b>						
$t_{V(MO)}$	Data output valid time	—	—	—	8	ns
$t_{SU(MI)}$	Data input setup time	—	1	—	—	ns
$t_{H(MI)}$	Data input hold time	—	0	—	—	ns
<b>SPI slave mode</b>						
$t_{SU(NSS)}$	NSS enable setup time	—	0	—	—	ns
$t_{H(NSS)}$	NSS enable hold time	—	1	—	—	ns
$t_{A(SO)}$	Data output access time	—	—	9	—	ns
$t_{DIS(SO)}$	Data output disable time	—	—	10	—	ns
$t_{V(SO)}$	Data output valid time	—	—	11	—	ns
$t_{SU(SI)}$	Data input setup time	—	0	—	—	ns
$t_{H(SI)}$	Data input hold time	—	2	—	—	ns

(1) Based on characterization, not tested in production.

Figure 4-7. SPI timing diagram - master mode

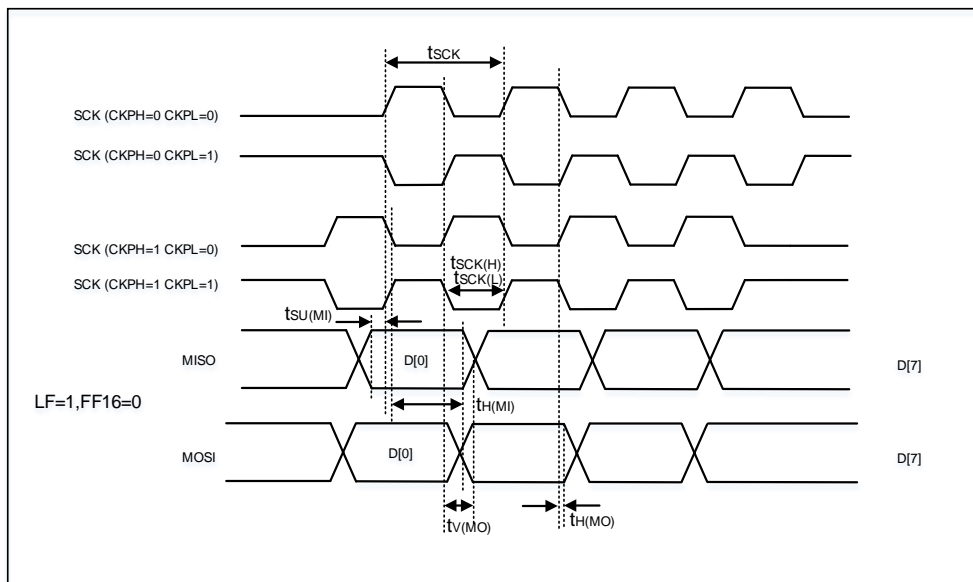
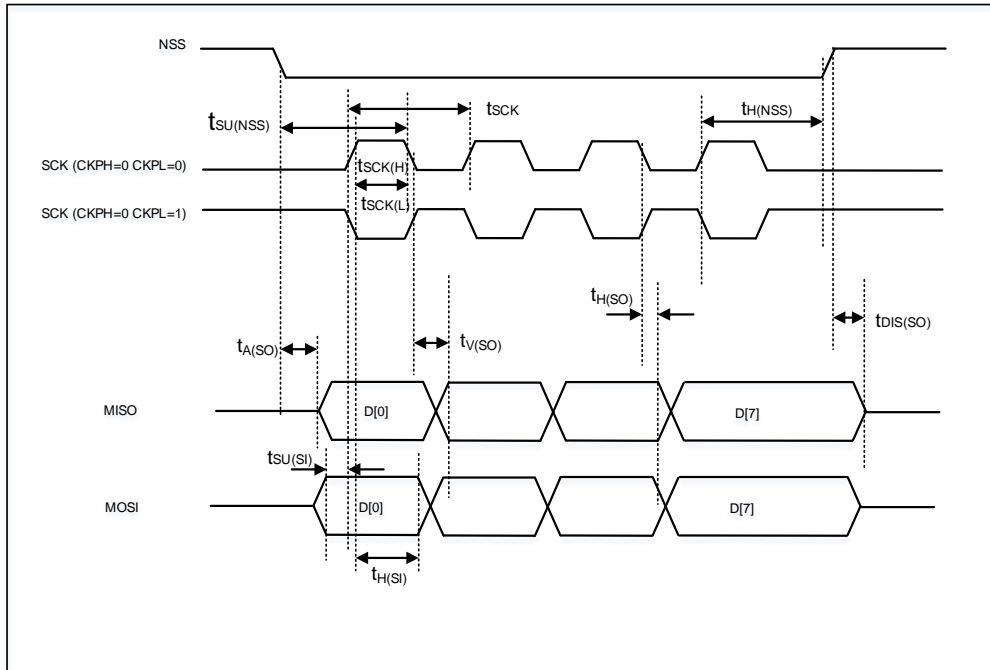


Figure 4-8. SPI timing diagram - slave mode



## 4.18. I2S characteristics

**Table 4-36. I2S characteristics<sup>(1)(2)</sup>**

Symbol	Parameter	Conditions	Min	Typ	Max	Unit
$f_{CK}$	Clock frequency	Master mode (data: 32 bits, Audio frequency = 96 kHz)	—	6.25	—	MHz
		Slave mode	—	—	12.5	
$t_H$	Clock high time	—	—	80	—	ns
$t_L$	Clock low time		—	80	—	ns
$t_{V(WS)}$	WS valid time	Master mode	—	3	—	ns
$t_{H(WS)}$	WS hold time	Master mode	—	3	—	ns
$t_{SU(WS)}$	WS setup time	Slave mode	0	—	—	ns
$t_{H(WS)}$	WS hold time	Slave mode	3	—	—	ns
$D_{CY(SCK)}$	I2S slave input clock duty cycle	Slave mode	—	50	—	%
$t_{SU(SD\_MR)}$	Data input setup time	Master mode	0	—	—	ns
$t_{SU(SD\_SR)}$	Data input setup time	Slave mode	0	—	—	ns
$t_{H(SD\_MR)}$	Data input hold time	Master receiver	1	—	—	ns
$t_{H(SD\_SR)}$		Slave receiver	3	—	—	ns
$t_{V(SD\_ST)}$	Data output valid time	Slave transmitter (after enable edge)	—	—	9	ns
$t_{H(SD\_ST)}$	Data output hold time	Slave transmitter (after enable edge)	6	—	—	ns
$t_{V(SD\_MT)}$	Data output valid time	Master transmitter (after enable edge)	—	—	6	ns
$t_{H(SD\_MT)}$	Data output hold time	Master transmitter (after enable edge)	0	—	—	ns

(1) Guaranteed by design, not tested in production.

(2) Based on characterization, not tested in production.

Figure 4-9. I2S timing diagram - master mode

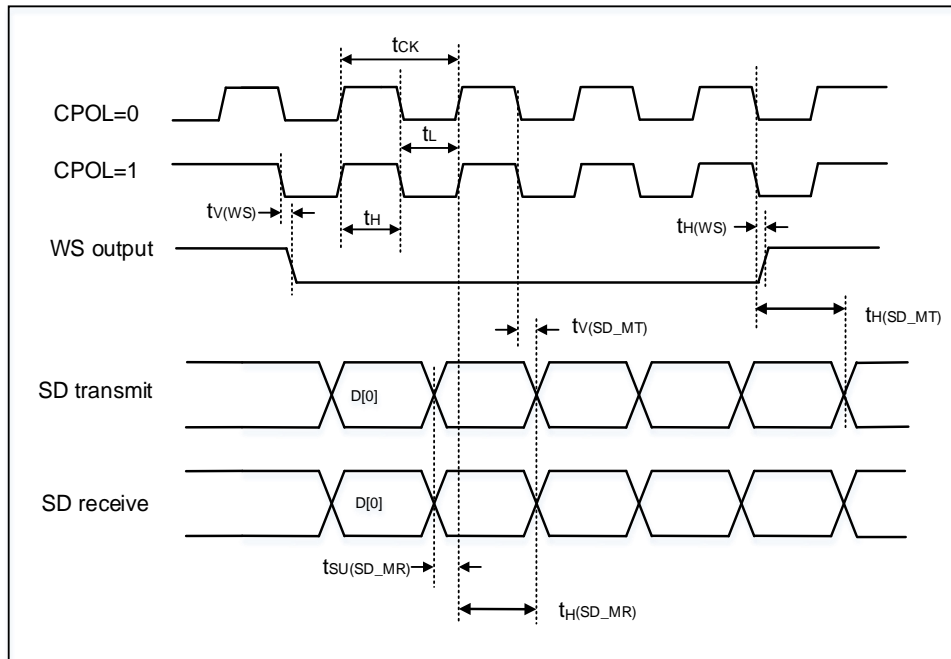
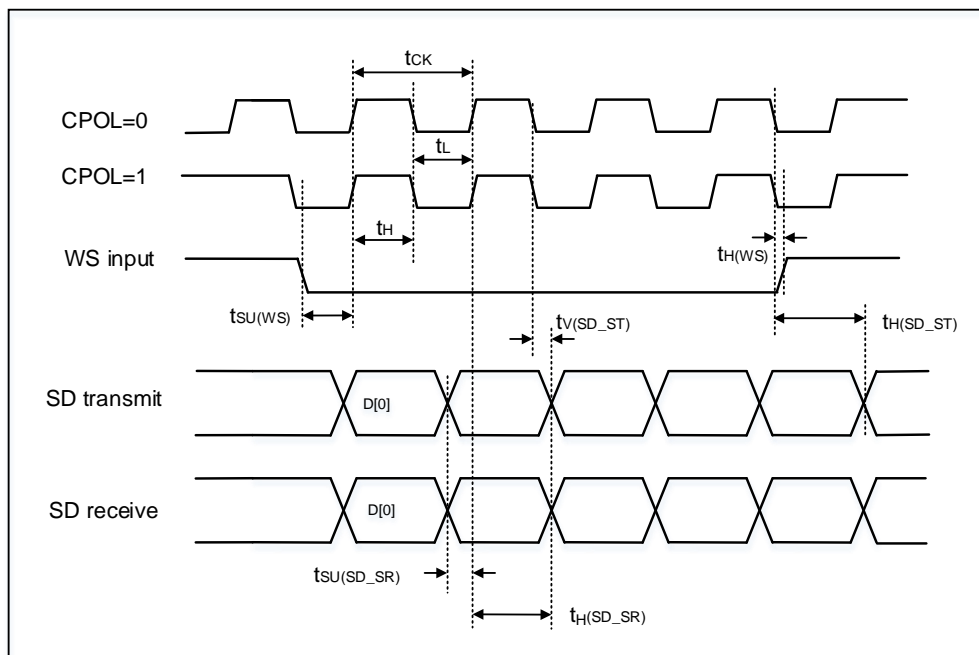


Figure 4-10. I2S timing diagram - slave mode





## 4.19. USART characteristics

**Table 4-37. USART characteristics<sup>(1)</sup>**

Symbol	Parameter	Conditions	Min	Typ	Max	Unit
$f_{SCK}$	SCK clock frequency	$f_{PCLKx} = 100\text{MHz}$	—	—	50	MHz
$t_{SCK(H)}$	SCK clock high time	$f_{PCLKx} = 100\text{MHz}$	10	—	—	ns
$t_{SCK(L)}$	SCK clock low time	$f_{PCLKx} = 100\text{MHz}$	10	—	—	ns

(1) Guaranteed by design, not tested in production.

## 4.20. SDIO characteristics

**Table 4-38. SDIO characteristics<sup>(1)(2)</sup>**

Symbol	Parameter	Conditions	Min	Typ	Max	Unit
$f_{PP}^{(3)}$	Clock frequency in data transfer mode	—	0	—	48	MHz
$t_{W(CKL)}^{(3)}$	Clock low time	$f_{pp} = 48\text{ MHz}$	9.5	10.5	—	ns
$t_{W(CKH)}^{(3)}$	Clock high time	$f_{pp} = 48\text{ MHz}$	9.3	10.3	—	ns
CMD, D inputs (referenced to CK) in MMC and SD HS mode						
$t_{ISU}^{(4)}$	Input setup time HS	$f_{pp} = 48\text{ MHz}$	4	—	—	ns
$t_{IH}^{(4)}$	Input hold time HS	$f_{pp} = 48\text{ MHz}$	3	—	—	ns
CMD, D outputs (referenced to CK) in MMC and SD HS mode						
$t_{OV}^{(3)}$	Output valid time HS	$f_{pp} = 48\text{ MHz}$	—	—	13.8	ns
$t_{OH}^{(3)}$	Output hold time HS	$f_{pp} = 48\text{ MHz}$	12	—	—	ns
CMD, D inputs (referenced to CK) in SD default mode						
$t_{ISUD}^{(4)}$	Input setup time SD	$f_{pp} = 24\text{ MHz}$	3	—	—	ns
$t_{IHD}^{(4)}$	Input hold time SD	$f_{pp} = 24\text{ MHz}$	3	—	—	ns
CMD, D outputs (referenced to CK) in SD default mode						
$t_{OVD}^{(3)}$	Output valid default time SD	$f_{pp} = 24\text{ MHz}$	—	2.4	2.8	ns
$t_{OHD}^{(3)}$	Output hold default time SD	$f_{pp} = 24\text{ MHz}$	2	—	—	ns

(1) CLK timing is measured at 50% of  $V_{DD}$ .

(2) Capacitive load  $C_L = 30\text{ pF}$ .

(3) Based on characterization, not tested in production.

(4) Guaranteed by design, not tested in production.

## 4.21. CAN characteristics

Refer to **Table 4-26.** for more details on the input/output alternate function characteristics (CANTX and CANRX).

## 4.22. USBFS characteristics

**Table 4-39. USBFS start up time**

Symbol	Parameter	Max	Unit
$t_{STARTUP}^{(1)}$	USBFS startup time	1	$\mu s$

(1) Guaranteed by design, not tested in production.

**Table 4-40. USBFS DC electrical characteristics**

Symbol	Parameter	Conditions	Min	Typ	Max	Unit	
Input levels <sup>(1)</sup>	$V_{DD}$	USBFS operating voltage	—	3	—	3.6	V
	$V_{DI}$	Differential input sensitivity	—	0.2	—	—	V
	$V_{CM}$	Differential common mode range	Includes $V_{DI}$ range	0.8	—	2.5	
	$V_{SE}$	Single ended receiver threshold	—	1.3	—	2.0	
Output levels <sup>(2)</sup>	$V_{OL}$	Static output level low	$R_L$ of 1.0 k $\Omega$ to 3.6 V	—	0.06	0.3	V
	$V_{OH}$	Static output level high	$R_L$ of 15 k $\Omega$ to $V_{SS}$	2.8	3.3	3.6	
$R_{PD}^{(2)}$	PA11, PA12(USBFS_DM/DP) PB14, PB15(USBHS_DM/DP)	$V_{IN} = V_{DD}$	17	21	25	k $\Omega$	
	PA9(USBFS_VBUS) PB13(USBHS_VBUS)		0.72	0.9	1.1		
$R_{PU}^{(2)}$	PA11, PA12(USBFS_DM/DP) PB14, PB15(USBHS_DM/DP)	$V_{IN} = V_{SS}$	1.2	1.5	1.8		
	PA9(USBFS_VBUS) PB13(USBHS_VBUS)		0.24	0.3	0.33		

(1) Guaranteed by design, not tested in production.

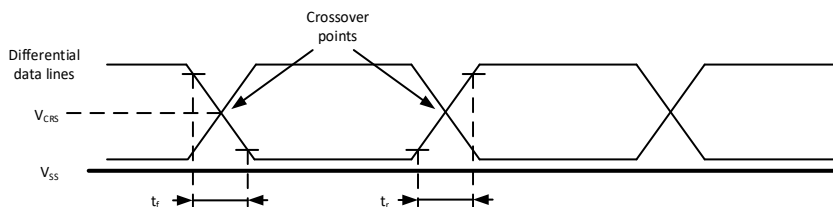
(2) Based on characterization, not tested in production.

**Table 4-41. USBFS full speed-electrical characteristics<sup>(1)</sup>**

Symbol	Parameter	Conditions	Min	Typ	Max	Unit
$t_R$	Rise time	$C_L = 50$ pF	4	—	20	ns
$t_F$	Fall time	$C_L = 50$ pF	4	—	20	ns
$t_{RFM}$	Rise / fall time matching	$t_R / t_F$	90	—	110	%
$V_{CRS}$	Output signal crossover voltage	—	1.3	—	2.0	V

(1) Guaranteed by design, not tested in production.

**Figure 4-11. USBFS timings: definition of data signal rise and fall time**



## 4.23. USBHS characteristics

**Table 61. USBHS clock timing parameters<sup>(1)</sup>**

Symbol	Parameter	Min	Typ	Max	Unit
V <sub>DD</sub>	USBHS operating voltage	3.0	—	3.6	V
f <sub>HCLK</sub>	f <sub>HCLK</sub> value to guarantee proper operation of USBHS interface	30	—	—	MHz
F <sub>START_8BIT</sub>	Frequency (first transition) 8-bit ± 10%	54	60	66	MHz
F <sub>STEADY</sub>	Frequency (steady state) ±500 ppm	59.97	60	60.63	MHz
D <sub>START_8BIT</sub>	Duty cycle (first transition) 8-bit ± 10%	40	50	60	%
D <sub>STEADY</sub>	Duty cycle (steady state) ±500 ppm	49.975	50	50.025	%

(1) Guaranteed by design, not tested in production.

**Table 62. USB-ULPI Dynamic characteristics**

Symbol	Parameter	Min	Typ	Max	Unit
t <sub>SC</sub>	Control in (ULPI_DIR, ULPI_NXT) setup time	—	—	2	ns
t <sub>HC</sub>	Control in (ULPI_DIR, ULPI_NXT) hold time	0.5	—	—	ns
t <sub>SD</sub>	Data in setup time	—	—	2	ns
t <sub>HD</sub>	Data in hold time	0	—	—	ns

(1) Guaranteed by design, not tested in production.

## 4.24. TIMER characteristics

**Table 4-42. TIMER characteristics<sup>(1)</sup>**

Symbol	Parameter	Conditions	Min	Max	Unit
t <sub>res</sub>	Timer resolution time	—	1	—	t <sub>TIMERxCLK</sub>
		f <sub>TIMERxCLK</sub> = 200 MHz	5	—	ns
f <sub>EXT</sub>	Timer external clock frequency	—	0	f <sub>TIMERxCLK</sub> /2	MHz
		f <sub>TIMERxCLK</sub> = 200 MHz	0	100	MHz
RES	Timer resolution	TIMERx (except TIMER1 & TIMER4)	—	16	bit
		TIMER1 & TIMER4	—	32	bit
t <sub>COUNTER</sub>	16-bit counter clock period when internal clock is selected	—	1	65536	t <sub>TIMERxCLK</sub>
		f <sub>TIMERxCLK</sub> = 200 MHz	0.005	327.68	μs
t <sub>MAX_COUNT</sub>	Maximum possible count	—	—	65536x65536	t <sub>TIMERxCLK</sub>
		f <sub>TIMERxCLK</sub> = 200 MHz	—	21.47	s

(1) Guaranteed by design, not tested in production.

## 4.25. DCI characteristics

**Table 4-43. DCI characteristics<sup>(1)</sup>**

Symbol	Parameter	Min	Max	Unit
Frequency ratio	DCI_PIXCLK /fHCLK	—	0.4	—
DCI_PIXCLK	Pixel clock input	—	80	MHz
D <sub>Pixel</sub>	Pixel clock input duty cycle	30	70	%
t <sub>su</sub> (DATA)	Data input setup time	2.5	—	ns
t <sub>h</sub> (DATA)	Data output valid time	1	—	ns
t <sub>su</sub> (HS)	DCI_HS input setup time	2	—	ns
t <sub>su</sub> (VS)	DCI_VS input setup time	2	—	ns
t <sub>h</sub> (HS)	DCI_HS input hold time	0.5	—	ns
t <sub>h</sub> (VS)	DCI_VS input hold time	0.5	—	ns

(1) Guaranteed by design, not tested in production.

## 4.26. WDGT characteristics

**Table 4-44. FWDGT min/max timeout period at 32 kHz (IRC32K)<sup>(1)</sup>**

Prescaler divider	PSC[2:0] bits	Min timeout RLD[11:0] = 0x000	Max timeout RLD[11:0] = = 0xFF	Unit
1/4	000	0.03125	511.90625	ms
1/8	001	0.03125	1023.7812	
1/16	010	0.03125	2047.53125	
1/32	011	0.03125	4095.03125	
1/64	100	0.03125	8190.03125	
1/128	101	0.03125	16380.03125	
1/256	110 or 111	0.03125	32760.03125	

(1) Guaranteed by design, not tested in production.

**Table 4-45. WWDGT min-max timeout value at 50 MHz (f<sub>PCLK1</sub>)<sup>(1)</sup>**

Prescaler divider	PSC[1:0]	Min timeout value CNT[6:0] = 0x40	Unit	Max timeout value CNT[6:0] = 0x7F	Unit
1/1	00	81.92	μs	5.24	ms
1/2	01	163.84		10.48	
1/4	10	327.68		20.96	
1/8	11	655.36		41.92	

(1) Guaranteed by design, not tested in production.

## 4.27. Parameter conditions

Unless otherwise specified, all values given for V<sub>DD</sub> = V<sub>DDA</sub> = 3.3 V, T<sub>A</sub> = 25 °C.

## 5. Package information

### 5.1. LQFP144 package outline dimensions

Figure 5-1. LQFP144 package outline

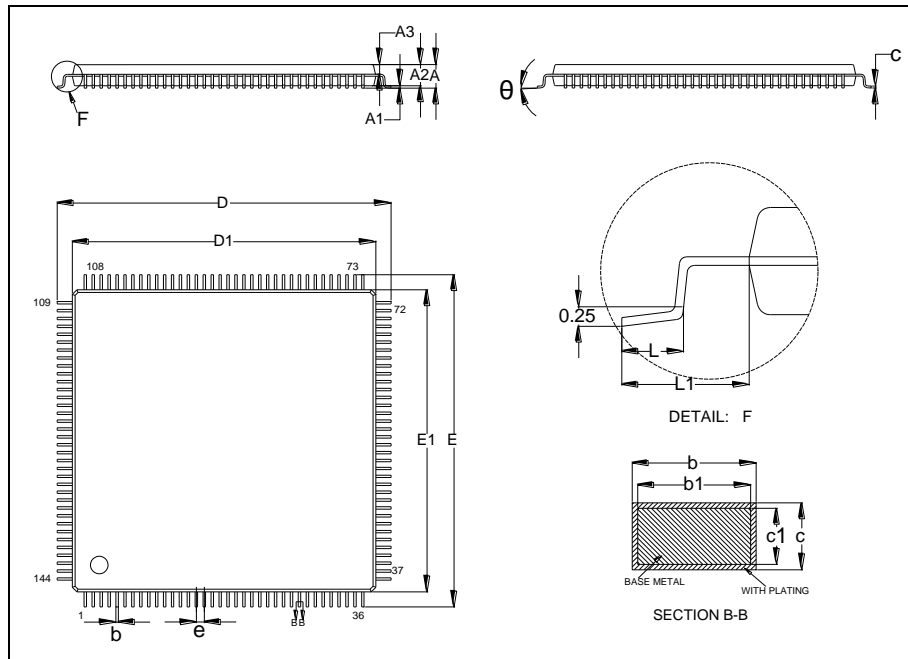
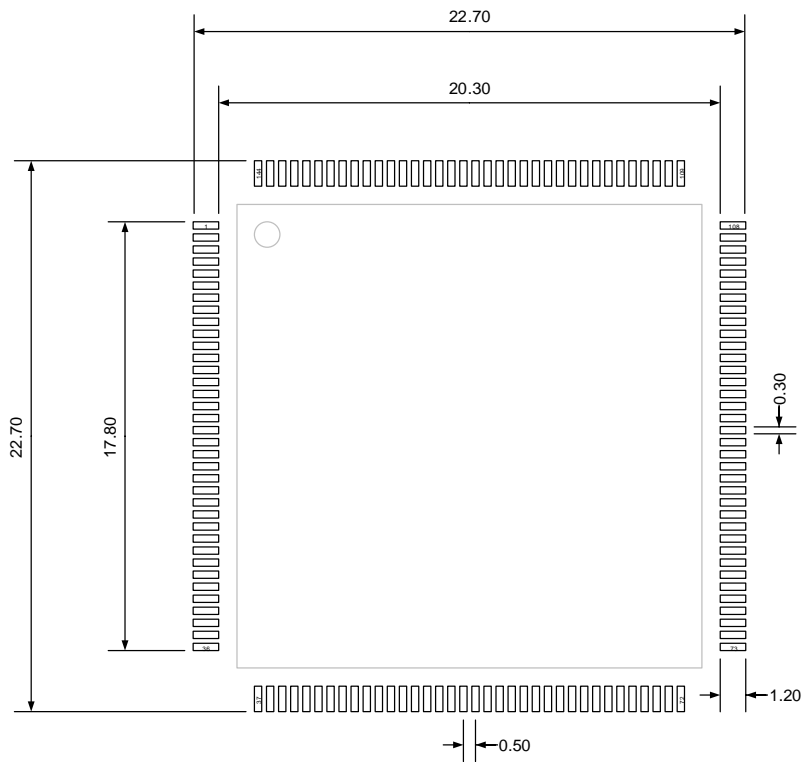


Table 5-1. LQFP144 package dimensions

Symbol	Min	Typ	Max
A	—	—	1.60
A1	0.05	—	0.15
A2	1.35	1.40	1.45
A3	0.59	0.64	0.69
b	0.18	—	0.26
b1	0.17	0.20	0.23
c	0.13	—	0.17
c1	0.12	0.13	0.14
D	21.80	22.00	22.20
D1	19.90	20.00	20.10
E	21.80	22.00	22.20
E1	19.90	20.00	20.10
e	—	0.50	—
L	0.45	—	0.75
L1	—	1.00	—
$\theta$	0°	—	7°

(Original dimensions are in millimeters)

Figure 5-2. LQFP144 recommended footprint



(Original dimensions are in millimeters)

## 5.2. BGA100 package outline dimensions

Figure 5-3. BGA100 package outline

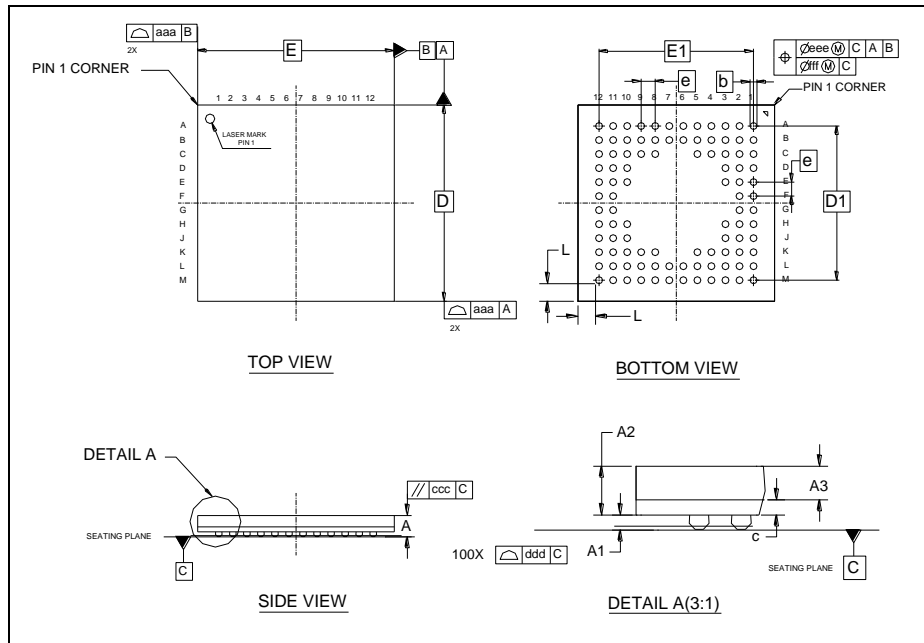
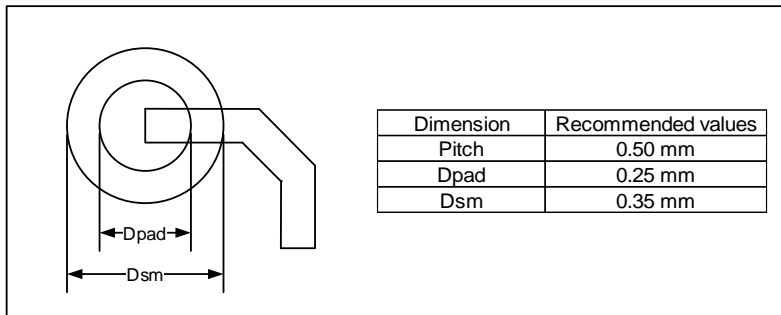


Table 5-2. BGA100 package dimensions

Symbol	Min	Typ	Max
A	—	—	0.84
A1	0.13	0.18	0.23
A2	0.53	0.58	0.63
A3	—	0.40	—
b	0.20	0.25	0.30
c	0.15	0.18	0.21
D	6.90	7.00	7.10
D1	—	5.50	—
E	6.90	7.00	7.10
E1	—	5.50	—
e	—	0.50	—
L	—	0.625	—
aaa	—	0.10	—
ccc	—	0.20	—
ddd	—	0.08	—
eee	—	0.15	—
fff	—	0.08	—

(Original dimensions are in millimeters)

Figure 5-4. BGA100 recommended footprint



(Original dimensions are in millimeters)



### 5.3. LQFP100 package outline dimensions

Figure 5-5. LQFP100 package outline

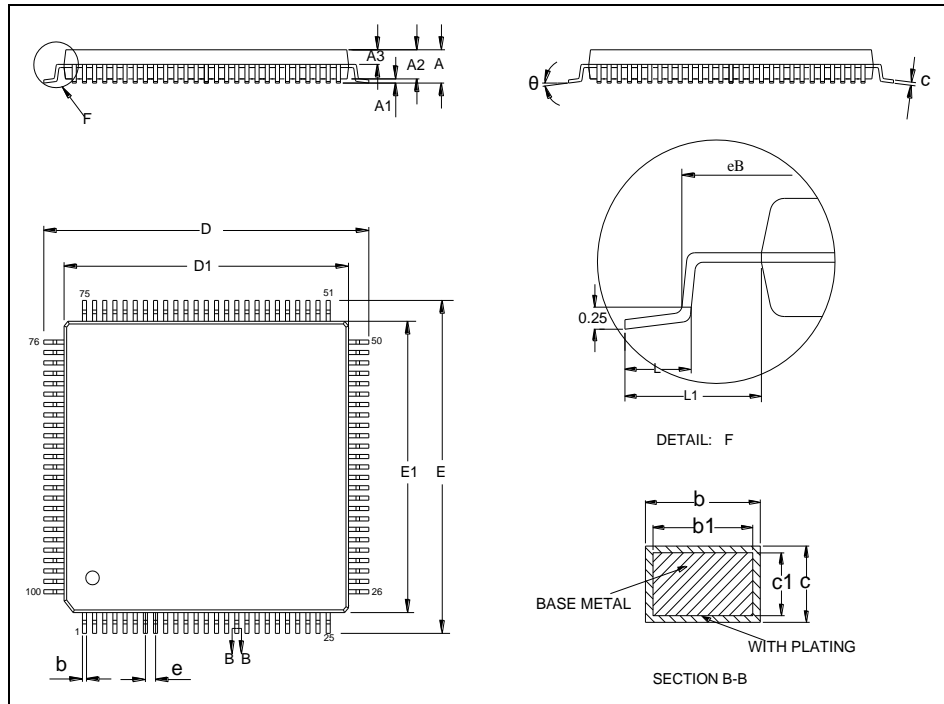
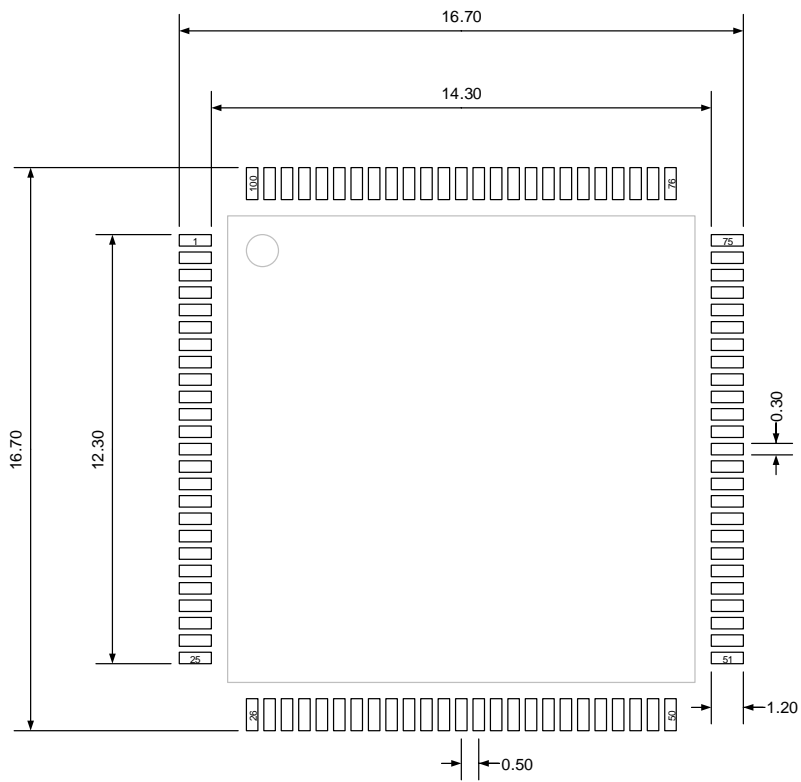


Table 5-3. LQFP100 package dimensions

Symbol	Min	Typ	Max
A	—	—	1.60
A1	0.05	—	0.15
A2	1.35	1.40	1.45
A3	0.59	0.64	0.69
b	0.18	—	0.26
b1	0.17	0.20	0.23
c	0.13	—	0.17
c1	0.12	0.13	0.14
D	15.80	16.00	16.20
D1	13.90	14.00	14.10
E	15.80	16.00	16.20
E1	13.90	14.00	14.10
e	—	0.50	—
eB	15.05	—	15.35
L	0.45	—	0.75
L1	—	1.00	—
θ	0°	—	7°

(Original dimensions are in millimeters)

Figure 5-6. LQFP100 recommended footprint



(Original dimensions are in millimeters)

### 5.4. LQFP64 package outline dimensions

Figure 5-7. LQFP64 package outline

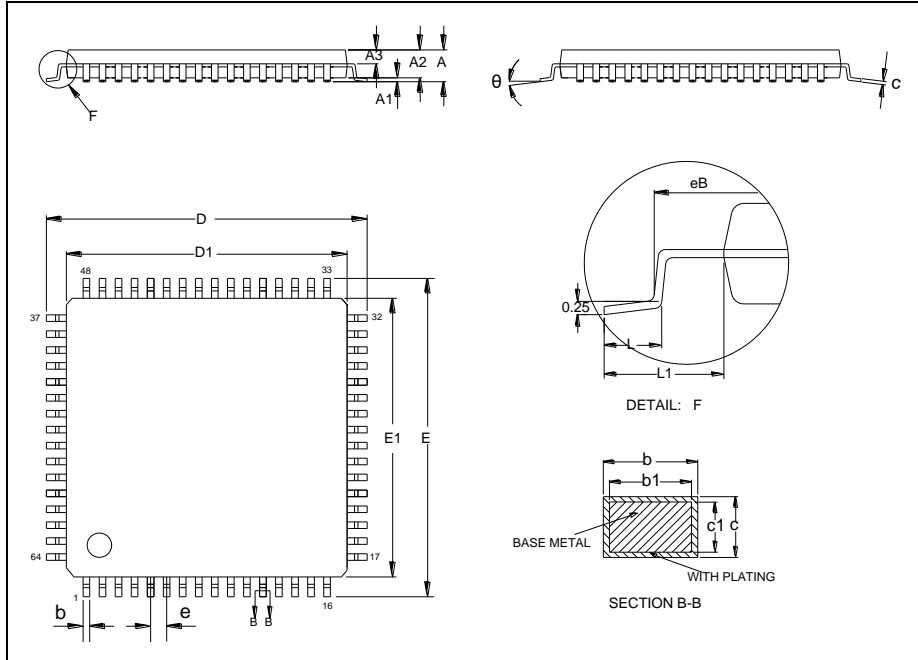
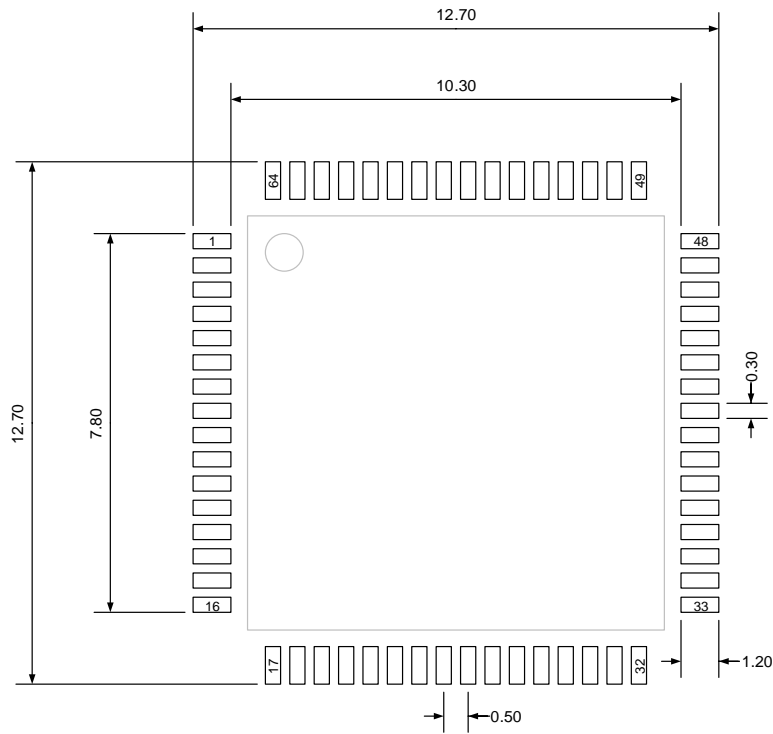


Table 5-4. LQFP64 package dimensions

Symbol	Min	Typ	Max
A	—	—	1.60
A1	0.05	—	0.15
A2	1.35	1.40	1.45
A3	0.59	0.64	0.69
b	0.18	—	0.26
b1	0.17	0.20	0.23
c	0.13	—	0.17
c1	0.12	0.13	0.14
D	11.80	12.00	12.20
D1	9.90	10.00	10.10
E	11.80	12.00	12.20
E1	9.90	10.00	10.10
e	—	0.50	—
eB	11.25	—	11.45
L	0.45	—	0.75
L1	—	1.00	—
θ	0°	—	7°

(Original dimensions are in millimeters)

Figure 5-8. LQFP64 recommended footprint



(Original dimensions are in millimeters)

## 5.5. Thermal characteristics

Thermal resistance is used to characterize the thermal performance of the package device, which is represented by the Greek letter “ $\theta$ ”. For semiconductor devices, thermal resistance represents the steady-state temperature rise of the chip junction due to the heat dissipated on the chip surface.

$\theta_{JA}$ : Thermal resistance, junction-to-ambient.

$\theta_{JB}$ : Thermal resistance, junction-to-board.

$\theta_{JC}$ : Thermal resistance, junction-to-case.

$\Psi_{JB}$ : Thermal characterization parameter, junction-to-board.

$\Psi_{JT}$ : Thermal characterization parameter, junction-to-top center.

$$\theta_{JA}=(T_J-T_A)/P_D \quad (5-1)$$

$$\theta_{JB}=(T_J-T_B)/P_D \quad (5-2)$$

$$\theta_{JC}=(T_J-T_C)/P_D \quad (5-3)$$

Where,  $T_J$  = Junction temperature.

$T_A$  = Ambient temperature

$T_B$  = Board temperature

$T_C$  = Case temperature which is monitoring on package surface

$P_D$  = Total power dissipation

$\theta_{JA}$  represents the resistance of the heat flows from the heating junction to ambient air. It is an indicator of package heat dissipation capability. Lower  $\theta_{JA}$  can be considerate as better overall thermal performance.  $\theta_{JA}$  is generally used to estimate junction temperature.

$\theta_{JB}$  is used to measure the heat flow resistance between the chip surface and the PCB board.

$\theta_{JC}$  represents the thermal resistance between the chip surface and the package top case.  $\theta_{JC}$  is mainly used to estimate the heat dissipation of the system (using heat sink or other heat dissipation methods outside the device package).

**Table 5-5. Package thermal characteristics<sup>(1)</sup>**

Symbol	Condition	Package	Value	Unit
$\theta_{JA}$	Natural convection, 2S2P PCB	LQFP144	48.76	°C/W
		BGA100	78.32	
		LQFP100	57.42	
		LQFP64	51.81	
$\theta_{JB}$	Cold plate, 2S2P PCB	LQFP144	35.00	°C/W
		BGA100	55.27	
		LQFP100	31.68	

Symbol	Condition	Package	Value	Unit
		LQFP64	33.36	
$\theta_{JC}$	Cold plate, 2S2P PCB	LQFP144	12.03	°C/W
		BGA100	20.15	
		LQFP100	13.85	
		LQFP64	11.25	
$\Psi_{JB}$	Natural convection, 2S2P PCB	LQFP144	35.32	°C/W
		BGA100	55.74	
		LQFP100	41.28	
		LQFP64	33.53	
$\Psi_{JT}$	Natural convection, 2S2P PCB	LQFP144	1.86	°C/W
		BGA100	1.74	
		LQFP100	0.75	
		LQFP64	0.49	

(1) Thermal characteristics are based on simulation, and meet JEDEC specification.

## 6. Ordering information

**Table 6-1. Part ordering code for GD32F425xx devices**

Ordering code	Flash (KB)	Package	Package type	Temperature operating range
GD32F425ZKT6	3072	LQFP144	Green	Industrial -40°C to +85°C
GD32F425ZGT6	1024	LQFP144	Green	Industrial -40°C to +85°C
GD32F425VKH6	3072	BGA100	Green	Industrial -40°C to +85°C
GD32F425VGH6	1024	BGA100	Green	Industrial -40°C to +85°C
GD32F425VKT6	3072	LQFP100	Green	Industrial -40°C to +85°C
GD32F425VGT6	1024	LQFP100	Green	Industrial -40°C to +85°C
GD32F425RKT6	3072	LQFP64	Green	Industrial -40°C to +85°C
GD32F425RGT6	1024	LQFP64	Green	Industrial -40°C to +85°C
GD32F425RET6	512	LQFP64	Green	Industrial -40°C to +85°C

## 7. Revision history

Table 7-1. Revision history

Revision No.	Description	Date
1.0	Initial Release	Feb. 22, 2022
1.1	<ol style="list-style-type: none"> <li>1. Add <b><u>Figure 7-1. Recommended PDR_ON pin circuit</u></b> in chapter <b><u>4.5. Power supply supervisor characteristics.</u></b></li> <li>2. Add description of EMI in chapter <b><u>4.4. EMC characteristics.</u></b></li> <li>3. Modify the BGA100 and BGA64 footprint parameters in chapter <b><u>5. Package information.</u></b></li> <li>4. Mofidy the I2C timing parameters in <b><u>4.16. I2C characteristics.</u></b></li> <li>5. Modify <math>f_{\text{sck}}</math> maximum value in <b><u>Table 4 37. USART characteristics<sup>(1)</sup>.</u></b></li> <li>6. Modify the erase cycles in <b><u>Table 4 24. Flash memory characteristics.</u></b></li> <li>7. Modify the value of <math>V_{\text{ESD(HBM)}}</math> and <math>V_{\text{ESD(CDM)}}</math> in <b><u>Table 4 11. ESD characteristics<sup>(1)</sup>.</u></b></li> </ol>	May.24, 2022



## Important Notice

This document is the property of GigaDevice Semiconductor Inc. and its subsidiaries (the "Company"). This document, including any product of the Company described in this document (the "Product"), is owned by the Company under the intellectual property laws and treaties of the People's Republic of China and other jurisdictions worldwide. The Company reserves all rights under such laws and treaties and does not grant any license under its patents, copyrights, trademarks, or other intellectual property rights. The names and brands of third party referred thereto (if any) are the property of their respective owner and referred to for identification purposes only.

The Company makes no warranty of any kind, express or implied, with regard to this document or any Product, including, but not limited to, the implied warranties of merchantability and fitness for a particular purpose. The Company does not assume any liability arising out of the application or use of any Product described in this document. Any information provided in this document is provided only for reference purposes. It is the responsibility of the user of this document to properly design, program, and test the functionality and safety of any application made of this information and any resulting product. Except for customized products which has been expressly identified in the applicable agreement, the Products are designed, developed, and/or manufactured for ordinary business, industrial, personal, and/or household applications only. The Products are not designed, intended, or authorized for use as components in systems designed or intended for the operation of weapons, weapons systems, nuclear installations, atomic energy control instruments, combustion control instruments, airplane or spaceship instruments, transportation instruments, traffic signal instruments, life-support devices or systems, other medical devices or systems (including resuscitation equipment and surgical implants), pollution control or hazardous substances management, or other uses where the failure of the device or Product could cause personal injury, death, property or environmental damage ("Unintended Uses"). Customers shall take any and all actions to ensure using and selling the Products in accordance with the applicable laws and regulations. The Company is not liable, in whole or in part, and customers shall and hereby do release the Company as well as its suppliers and/or distributors from any claim, damage, or other liability arising from or related to all Unintended Uses of the Products. Customers shall indemnify and hold the Company as well as its suppliers and/or distributors harmless from and against all claims, costs, damages, and other liabilities, including claims for personal injury or death, arising from or related to any Unintended Uses of the Products.

Information in this document is provided solely in connection with the Products. The Company reserves the right to make changes, corrections, modifications or improvements to this document and Products and services described herein at any time, without notice.