

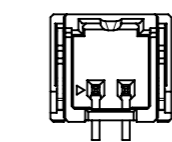
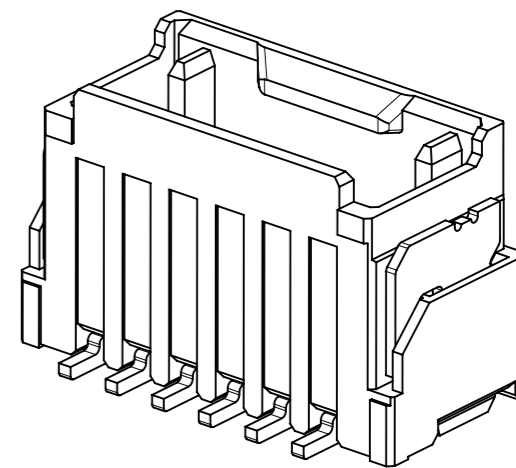
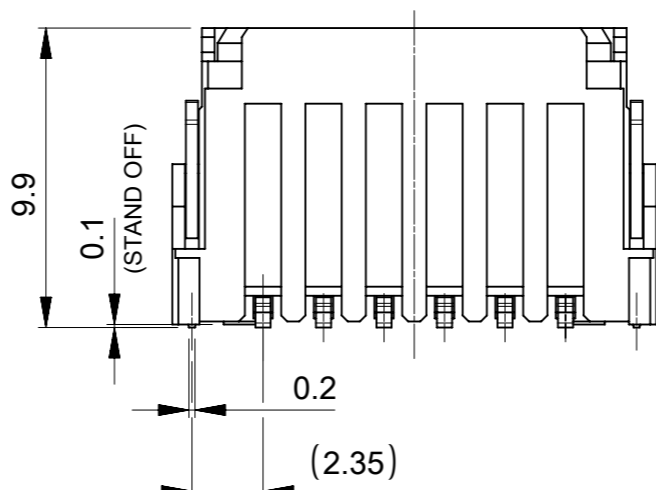
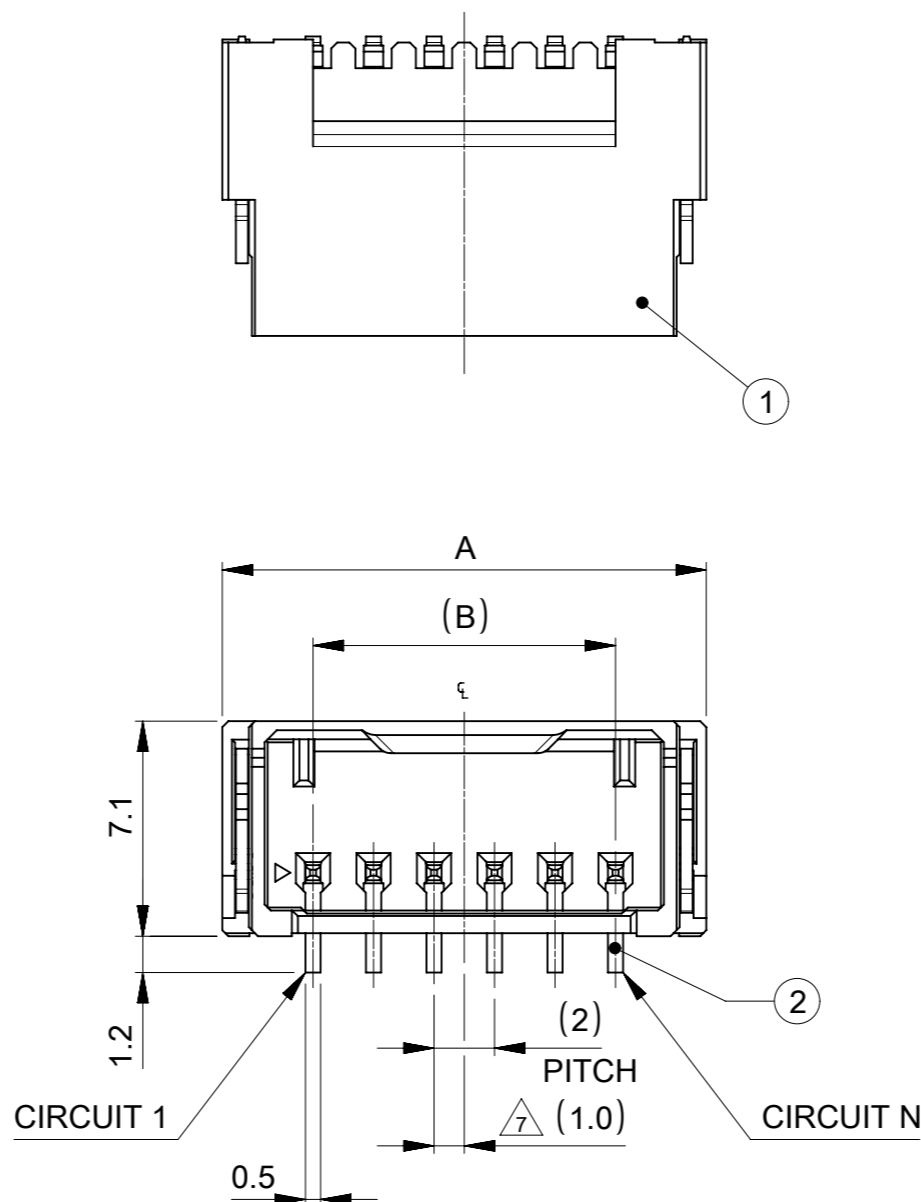
NOTES

- △1 材料及び仕上げ(めっき仕様) : TABLE 1 参照
MATERIAL AND FINISHES : SEE TABLE 1
- 2. 製品仕様書 : 2059790000-PS 000
PRODUCT SPECIFICATION:2059790000-PS 000
- 3. 梱包形態 : SHEET 4 参照
PACKAGING INFORMATION : SEE SHEET 4
- △4 嵌合相手 : 205979(ISLタイプ),212724(TPAタイプ) シリーズ
MATES WITH:205979(ISL TYPE),212724(TPA TYPE) SERIES
- 5. アプリケーション仕様書
(コネクタ取扱い説明書) : 2059790000-AS 000
APPLICATION SPECIFICATION
(CONNECTOR MANUAL):2059790000-AS 000
- 6. 端子テール部及びネイルの平坦度:0.1 MAX
TAIL AND NAIL COPLANARITY TO BE 0.1 MAX
- △7 偶数極に適用。
APPLY FOR EVEN CIRCUIT.
- 8. 端子テール部及びネイルに錫ビスマスめっきを使用している為、
外観に摺動痕が付く場合があります。
THE WOUND OF FRICTION MIGHT ADHERE TO
EXTERNALS BECAUSE THE TIN BISMUTH PLATING IS
USED FOR THE TAIL AND NAIL.
- 9. 本製品のプラスチック部に黒点・白点等が確認される場合や
色合いが異なる場合がありますが、製品性能に影響はありません。
THERE IS NO INFLUENCE IN THE PRODUCT
PERFORMANCE THOUGH THE BLACK AND WHITE SPOT ETC.
MIGHT BE CONFIRMED TO THE PLASTIC PART OF
THIS PRODUCT AND THE SHADE MIGHT BE DIFFERENT.

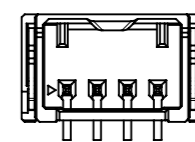
△1 TABLE 1

番号 No.	部品 PART	材質 MATERIAL
①	ハウジング HOUSING	ポリアミド(PA), UL94V-0, 色 : SEE CHART POLYAMIDE(PA), UL94V-0, COLOR : SEE CHART
②	ターミナル TERMINAL	黄銅 BRASS
		錫ビスマスめっき : 1.0 micro-meter MIN TIN BISMUTH PLATING(TAIL AREA, CONTACT AREA) ニッケルめっき(下地): 1.0 micro-meter MIN NICKEL(UNDER PLATING)
③	ネイル NAIL	黄銅 BRASS
		錫めっき : 1.0 micro-meter MIN MATTE TIN PLATING ニッケルめっき(下地): 1.0 micro-meter MIN NICKEL(UNDER PLATING)

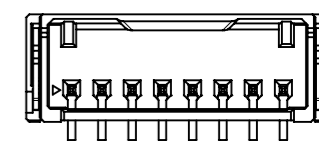
DOCUMENT STATUS P1 RELEASE DATE 2023/09/05 12:31:31



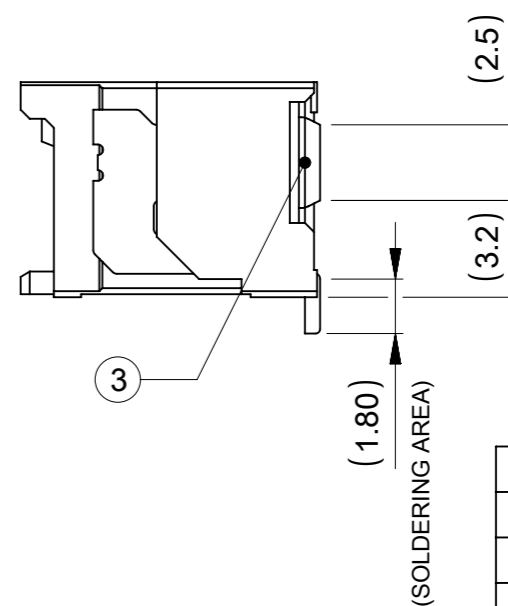
VIEW OF 2-3 CIRCUIT



VIEW OF 4-6 CIRCUIT



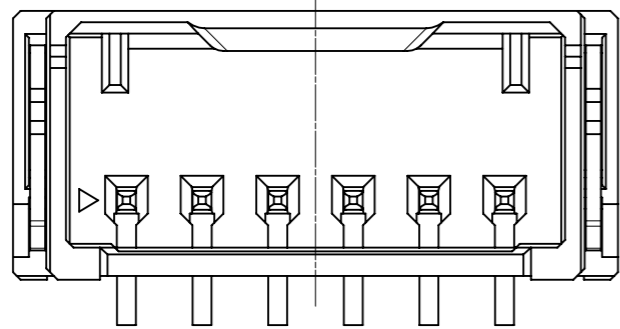
VIEW OF 7-8 CIRCUIT



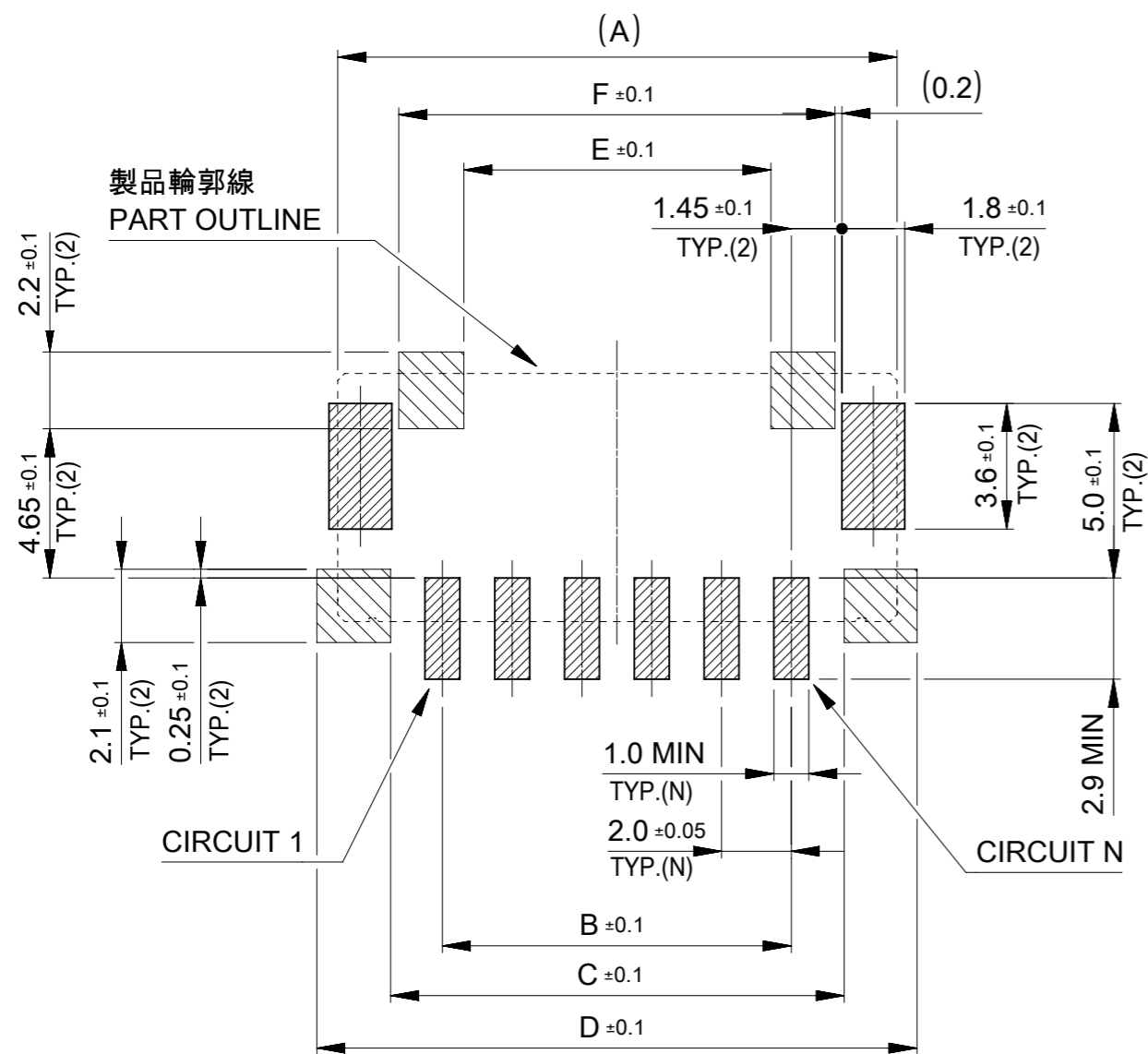
14	20	8
12	18	7
10	16	6
8	14	5
6	12	4
4	10	3
2	8	2
B	A	極数 CIRCUIT SIZE

THIS DRAWING CONTAINS INFORMATION THAT IS PROPRIETARY TO MOLEX ELECTRONIC TECHNOLOGIES, LLC AND SHOULD NOT BE USED WITHOUT WRITTEN PERMISSION

DIMENSION UNITS	SCALE	CURRENT REV DESC.	molex		
mm	NTS		MICRO-ONE 2.0W/B HEAD ASSEMBLY VERTICAL		
GENERAL TOLERANCES (UNLESS SPECIFIED)			PRODUCT CUSTOMER DRAWING		
ANGULAR TOL ± 3.0 °		EC NO: 760111	DOCUMENT NUMBER		
4 PLACES ± 0.2	DRWN: KYAMADA02	2023/08/24	2059710000-SD		DOC TYPE
3 PLACES ± 0.2	CHK'D: AIDA	2023/09/05	PSD	000	REVISION
2 PLACES ± 0.2	APPR: SAKIYAMA	2023/09/05	C		
1 PLACE ± 0.2	INITIAL REVISION:				
0 PLACES ± 0.2	DRWN: TGREGORI	2018/02/16			
	APPR: SAKIYAMA	2020/07/10			
DRAFT WHERE APPLICABLE MUST REMAIN WITHIN DIMENSIONS	THIRD ANGLE PROJECTION	DRAWING	SERIES	MATERIAL NUMBER	CUSTOMER
		A3-SIZE	205971	SEE TABLE	GENERAL
					SHEET NUMBER
					1 OF 5



製品レイアウト
PRODUCT LAYOUT



推奨基板レイアウト:実装面側

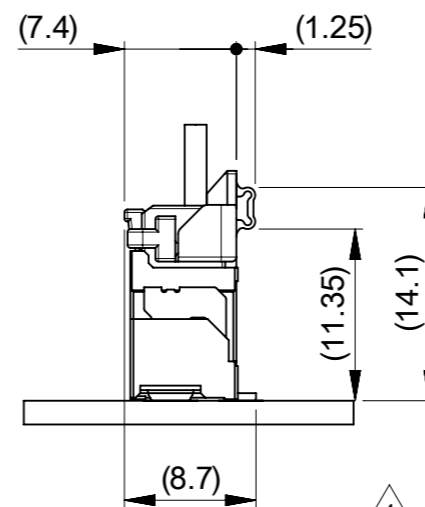
(参考: 基板厚1.6mm, メタルマスク厚0.15mm, マスク開口率100%)

SUGGESTED PCB LAYOUT : COMPONENT SIDE

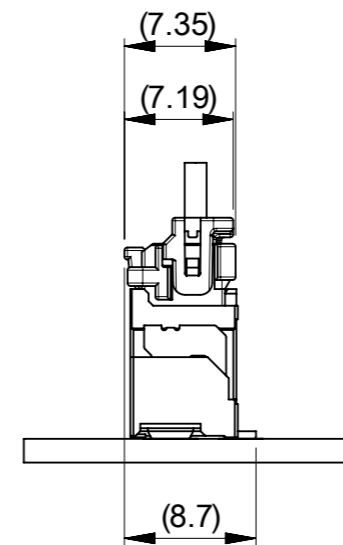
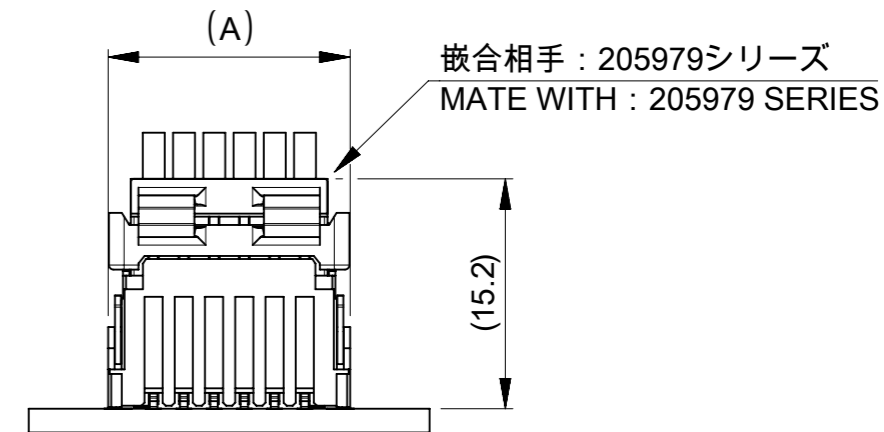
(REFERENCE: PCB THICKNESS 1.6mm, STENCIL THICKNESS 0.15mm, APERTURE RATIO 100%)



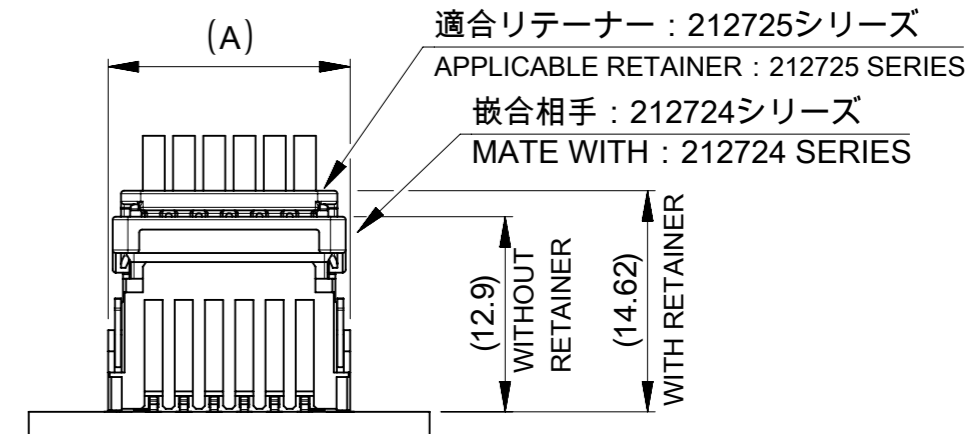
:パターン禁止エリア
RESTRICTED AREA
NO PCB COMPONENTS ALLOWED



△ ISLタイプ嵌合図
MATED CONNECTOR OF ISL TYPE



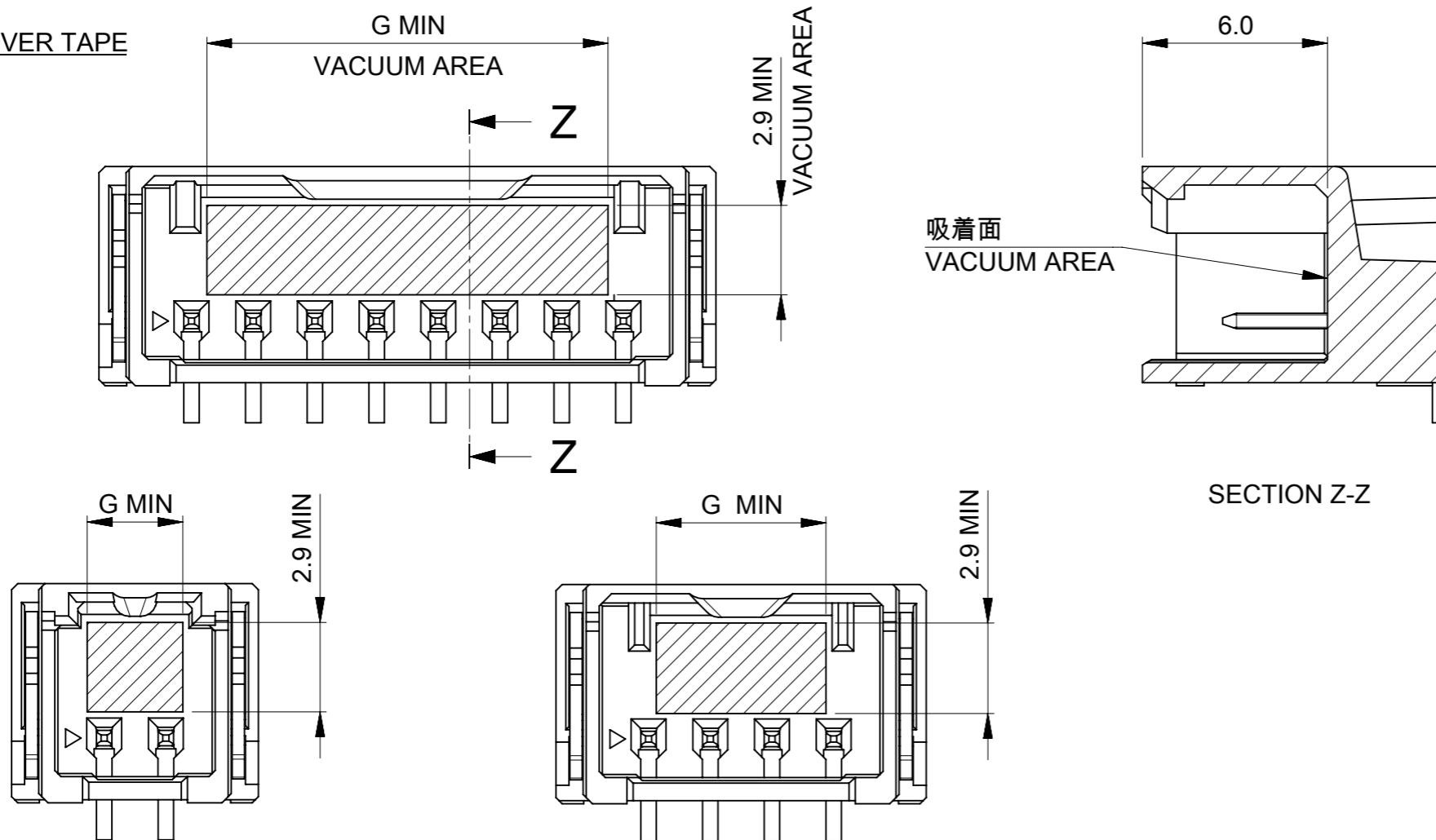
△ TPAタイプ嵌合図
MATED CONNECTOR OF TPA TYPE



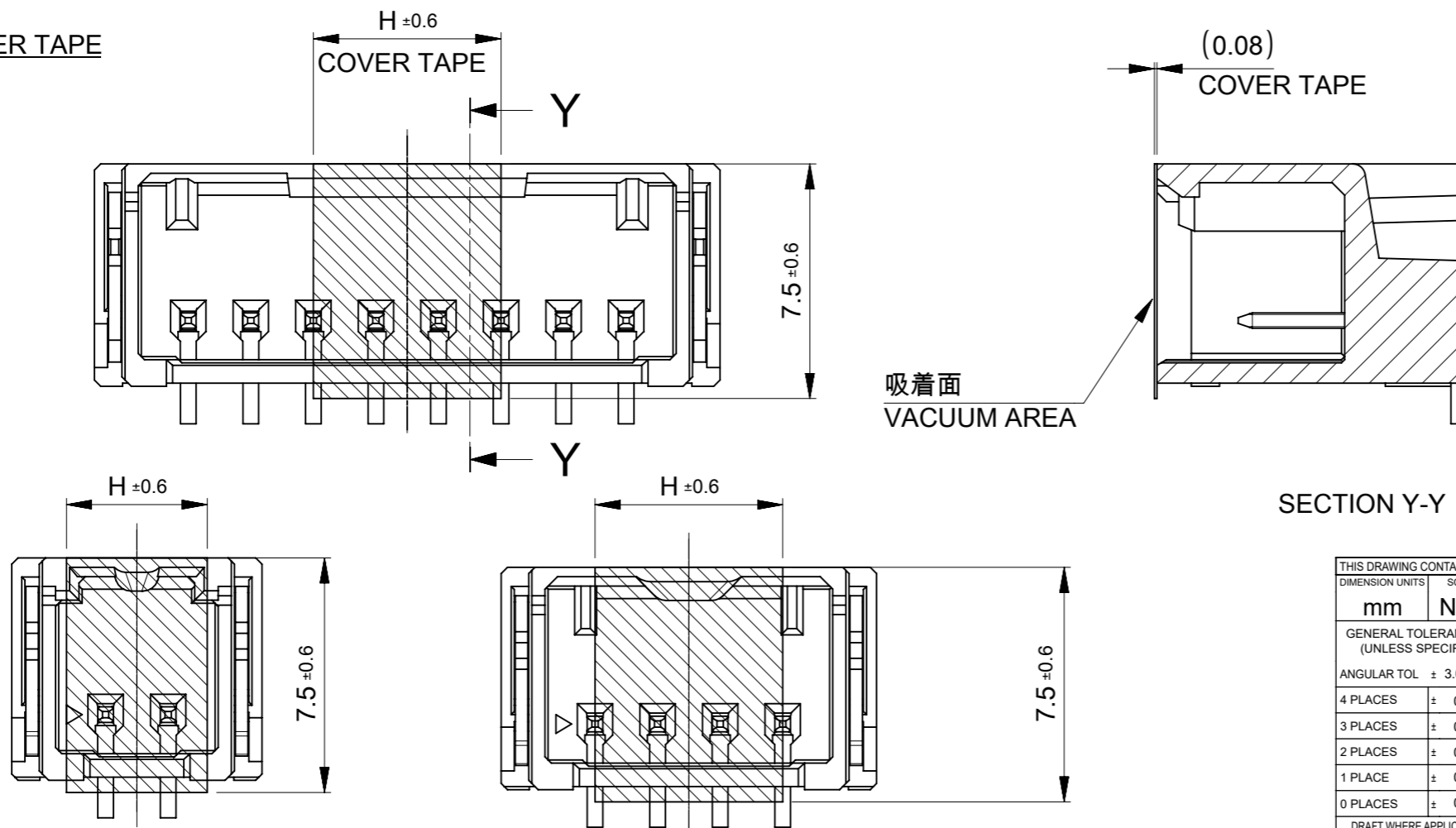
16.5	13.6	21.2	17.0	8
14.5	11.6	19.2	15.0	7
12.5	9.6	17.2	13.0	6
10.5	7.6	15.2	11.0	5
8.5	5.6	13.2	9.0	4
6.5	3.6	11.2	7.0	3
4.5	1.6	9.2	5.0	2
F	E	D	C	極数 CIRCUIT SIZE

THIS DRAWING CONTAINS INFORMATION THAT IS PROPRIETARY TO MOLEX ELECTRONIC TECHNOLOGIES, LLC AND SHOULD NOT BE USED WITHOUT WRITTEN PERMISSION		CURRENT REV DESC:		molex	
DIMENSION UNITS	SCALE	EC NO: 760111			
mm	NTS	DRWN: KYAMADA02 2023/08/24		MICRO-ONE 2.0W/B HEAD ASSEMBLY VERTICAL	
GENERAL TOLERANCES (UNLESS SPECIFIED)		CHK'D: AIDA 2023/09/05		PRODUCT CUSTOMER DRAWING	
ANGULAR TOL ± 3.0 °		APPR: SAKIYAMA 2023/09/05		DOCUMENT NUMBER	
4 PLACES	± 0.2	INITIAL REVISION:		DOC TYPE	
3 PLACES	± 0.2	DRWN: TGREGORI 2018/02/16		DOC PART	
2 PLACES	± 0.2	APPR: SAKIYAMA 2020/07/10		REVISION	
1 PLACE	± 0.2	SERIES		2059710000-SD	
0 PLACES	± 0.2	MATERIAL NUMBER		PSD 000 C	
DRAFT WHERE APPLICABLE MUST REMAIN WITHIN DIMENSIONS		THIRD ANGLE PROJECTION	DRAWING	CUSTOMER	SHEET NUMBER
			A3-SIZE	GENERAL	2 OF 5

CASE OF WITHOUT COVER TAPE



CASE OF WITH COVER TAPE



8.0	13.0	8
	11.0	7
	9.5	6
6.0	7.5	5
	5.5	4
4.5	4.4	3
	3.1	2
H	G	極数 CIRCUIT SIZE

THIS DRAWING CONTAINS INFORMATION THAT IS PROPRIETARY TO MOLEX ELECTRONIC TECHNOLOGIES, LLC AND SHOULD NOT BE USED WITHOUT WRITTEN PERMISSION

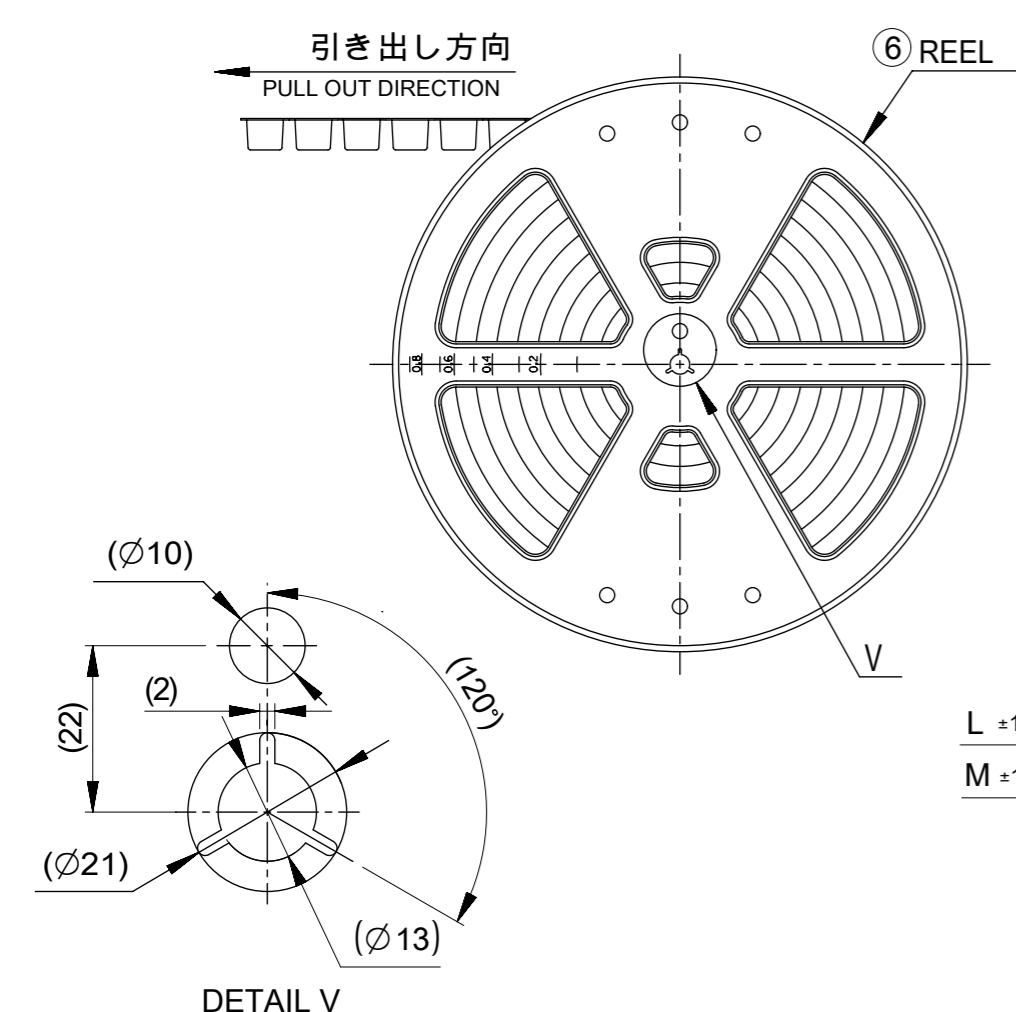
DIMENSION UNITS	SCALE	CURRENT REV DESC:	
mm	NTS		
GENERAL TOLERANCES (UNLESS SPECIFIED)			
ANGULAR TOL ± 3.0 °			
4 PLACES	± 0.2	EC NO: 760111	
3 PLACES	± 0.2	DRWN: KYAMADA02	2023/08/24
2 PLACES	± 0.2	CHK'D: AIDA	2023/09/05
1 PLACE	± 0.2	APPR: SAKIYAMA	2023/09/05
0 PLACES	± 0.2	INITIAL REVISION:	
DRAFT WHERE APPLICABLE MUST REMAIN WITHIN DIMENSIONS		DRWN: TKGREGORI	2018/02/16
		APPR: SAKIYAMA	2020/07/10
THIRD ANGLE PROJECTION	DRAWING	SERIES	MATERIAL NUMBER
	A3-SIZE	205971	SEE TABLE
CUSTOMER		DOC TYPE	DOC PART
GENERAL		PSD	000
SHEET NUMBER		REVISION	
3 OF 5		C	

molex

MICRO-ONE 2.0W/B
HEAD ASSEMBLY VERTICAL

PRODUCT CUSTOMER DRAWING

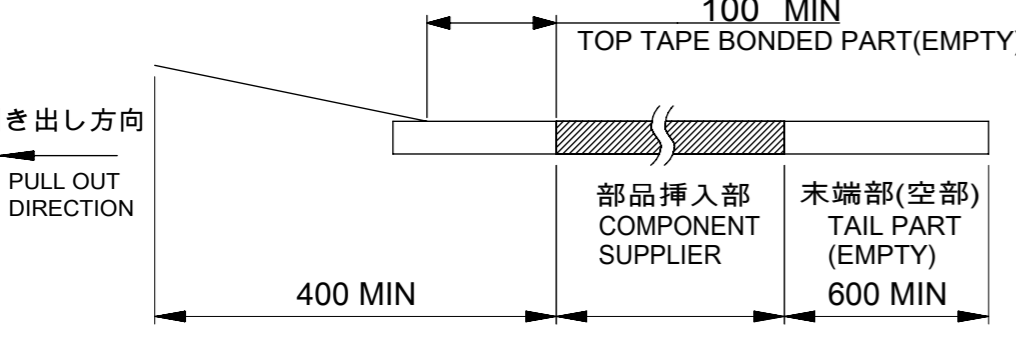
DOCUMENT NUMBER: 2059710000-SD



NOTES

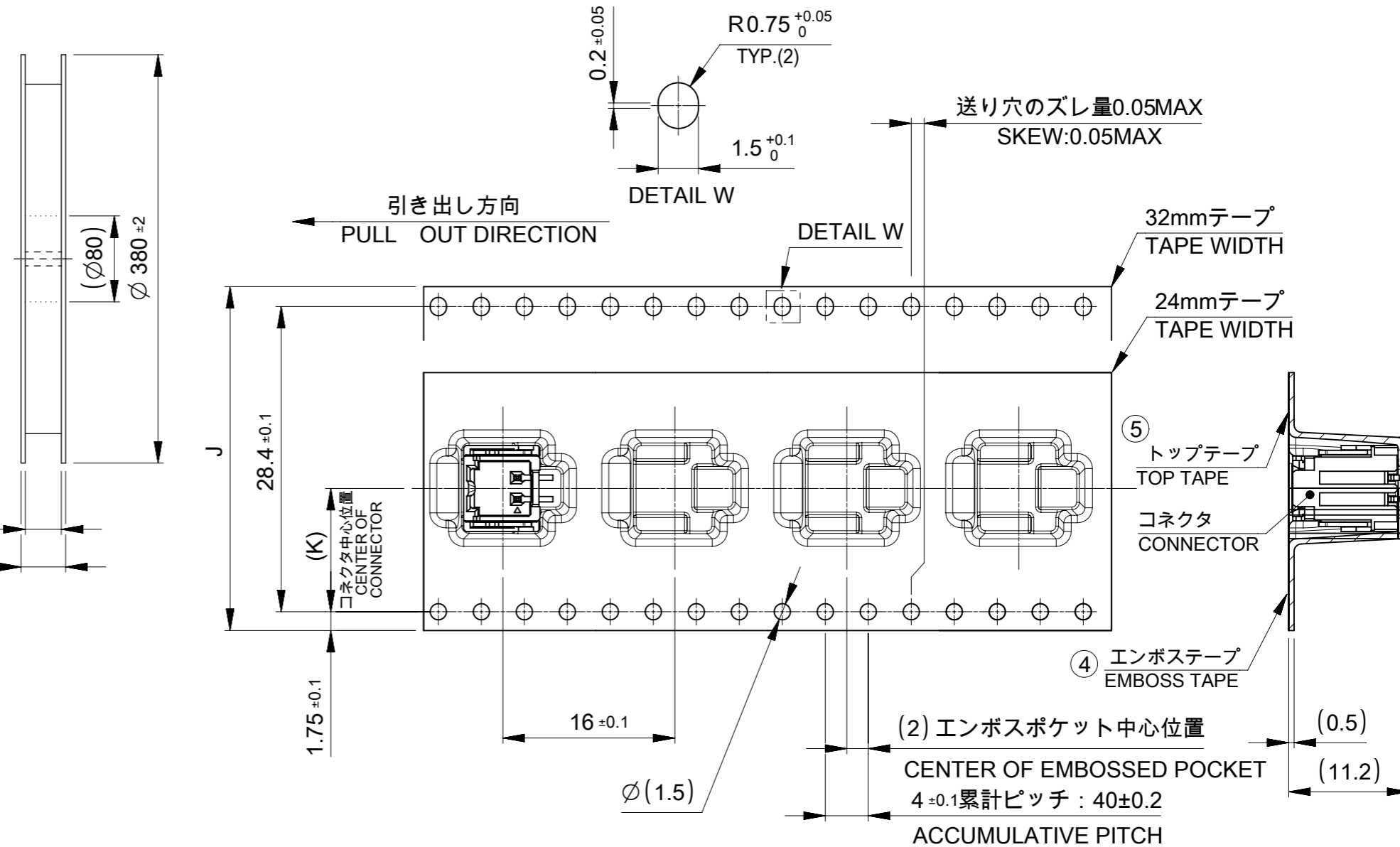
10. 梱包数量 : 500個/リール
NUMBER OF CONNECTORS : 500 PIECES/REEL

11. リードテープ長さ
LEAD TAPE LENGTH



12. トップテープの剥離強度はIEC60286-3に準拠。
TOP TAPE PEELING FORCE IS DEFINED BY IEC60286-3.

13. 梱包仕様書 : 2059719200-SPK 200
PACKAGING SPECIFICATION: 2059719200-SPK 200



14. 発注番号 : SHEET 5 参照
ORDER No. : PLEASE REFER TO SHEET 5 FOR PRODUCT LIST.

205971 0 * * *

極数
CIRCUIT SIZE

0 : カバーテープなし NATURAL(BEIGE) WITHOUT COVER TAPE NATURAL(BEIGE)
1 : カバーテープなし BLACK WITHOUT COVER TAPE BLACK
2 : カバーテープあり NATURAL(BEIGE) WITH COVER TAPE NATURAL(BEIGE)
3 : カバーテープあり BLACK WITH COVER TAPE BLACK

37.5	33.5	14.2	32±0.3	8
				7
				6
29.5	25.5	11.5	24 ^{+0.3} _{-0.1}	5
				4
				3
				2
M	L	K	エンボステープ幅 J WIDTH OF TEPE	極数 CIRCUIT SIZE

番号 NO.	部品 PART	材質 MATERIAL
④	エンボステープ EMBOSS TAPE	ポリスチレン(PS)、その他 POLYSTYRENE(PS), etc
⑤	トップテープ TOP TAPE	ポリエチレン(PE)、その他 POLYETHYLENE(PE), etc
⑥	リール REEL	ポリスチレン(PS) <リサイクル材を含む> POLYSTYRENE(PS) <RECYCLE MATERIAL CONTAINED>

THIS DRAWING CONTAINS INFORMATION THAT IS PROPRIETARY TO MOLEX ELECTRONIC TECHNOLOGIES, LLC AND SHOULD NOT BE USED WITHOUT WRITTEN PERMISSION

DIMENSION UNITS	SCALE	CURRENT REV DESC.	molex		
mm	NTS				
GENERAL TOLERANCES (UNLESS SPECIFIED)			MICRO-ONE 2.0W/B HEAD ASSEMBLY VERTICAL		
ANGULAR TOL	± 3.0 °	EC NO: 760111	PRODUCT CUSTOMER DRAWING		
4 PLACES	± 0.2	DRWN: KYAMADA02	2023/08/24		
3 PLACES	± 0.2	CHK'D: AIDA	2023/09/05		
2 PLACES	± 0.2	APPR: SAKIYAMA	2023/09/05		
1 PLACE	± 0.2	INITIAL REVISION:			
0 PLACES	± 0.2	DRWN: TREGORI	2018/02/16	DOCUMENT NUMBER	DOC TYPE
DRAFT WHERE APPLICABLE MUST REMAIN WITHIN DIMENSIONS		THIRD ANGLE PROJECTION	2020/07/10	2059710000-SD	PSD
		DRAWING	SERIES	MATERIAL NUMBER	CUSTOMER
		A3-SIZE	205971	SEE TABLE	GENERAL
				DOC PART	REVISION
				000	C
				SHEET NUMBER	
				4 OF 5	

10

9

8

7

6

5

4

3

2

1

F

F

E

E

D

D

C

C

B


B

A

A

△ 14 製品一覧 PRODUCT LIST

WITH COVER TAPE		WITHOUT COVER TAPE		
HOUSING COLOR BLACK	HOUSING COLOR NATURAL(BEIGE)	HOUSING COLOR BLACK	HOUSING COLOR NATURAL(BEIGE)	
2059710083	2059710082	2059710081	2059710080	8
↑ 0073	↑ 0072	↑ 0071	↑ 0070	7
0063	0062	0061	0060	6
0053	0052	0051	0050	5
0043	0042	0041	0040	4
↓ 0033	↓ 0032	↓ 0031	↓ 0030	3
2059710023	2059710022	2059710021	2059710020	2
発注番号 ORDER No.				極数
PACKAGING STYLE : EMBOSSED TAPE AND REEL				CIRCUIT SIZE

THIS DRAWING CONTAINS INFORMATION THAT IS PROPRIETARY TO MOLEX ELECTRONIC TECHNOLOGIES, LLC AND SHOULD NOT BE USED WITHOUT WRITTEN PERMISSION														
DIMENSION UNITS		SCALE		CURRENT REV DESC:										
mm		NTS												
GENERAL TOLERANCES (UNLESS SPECIFIED)				EC NO: 760111 DRWN: KYAMADA02 2023/08/24 CHK'D: AIDA 2023/09/05 APPR: SAKIYAMA 2023/09/05 INITIAL REVISION: DRWN: TGREGORI 2018/02/16 APPR: SAKIYAMA 2020/07/10				PRODUCT CUSTOMER DRAWING						
ANGULAR TOL ± 3.0 °								DOCUMENT NUMBER				DOC TYPE	DOC PART	REVISION
4 PLACES ± 0.2		3 PLACES ± 0.2						2059710000-SD		PSD	000	C		
2 PLACES ± 0.2		1 PLACE ± 0.2						MATERIAL NUMBER		CUSTOMER				
0 PLACES ± 0.2		DRAFT WHERE APPLICABLE MUST REMAIN WITHIN DIMENSIONS						THIRD ANGLE PROJECTION	DRAWING	SERIES	SEE TABLE	GENERAL	SHEET NUMBER	
								A3-SIZE	205971	5 OF 5				

DOCUMENT STATUS	P1	RELEASE DATE	2023/09/05	12:31:31
-----------------	----	--------------	------------	----------