

TCP 32DC/6A F - Thermal device circuit breaker



1499940

<https://www.phoenixcontact.com/us/products/1499940>

Please be informed that the data shown in this PDF document is generated from our online catalog. Please find the complete data in the user documentation. Our general terms of use for downloads are valid.



1-channel thermal device circuit breaker for protecting loads up to 32 V DC in the event of an overload. Fuse type: fast-acting. Can be plugged onto fuse terminal blocks and interfaces for flat plug-in fuse of type C according to standard ISO 8820-3. With fixed nominal current: 6 A

Your advantages

- Fast, replacement part-free recommissioning after an event with the reconnection options
- Easy to retrofit in existing systems with vehicle flat-type fuses with identical pin connector pattern
- Easy identification of the nominal current value via color marking

Commercial data

Item number	1499940
Packing unit	100 pc
Minimum order quantity	100 pc
Sales key	CL27
Product key	CLA112
GTIN	4063151955489
Weight per piece (including packing)	4.62 g
Weight per piece (excluding packing)	4,252 g
Customs tariff number	85362010
Country of origin	CN

TCP 32DC/6A F - Thermal device circuit breaker



1499940

<https://www.phoenixcontact.com/us/products/1499940>

Technical data

Product properties

Product type	Thermal device circuit breakers
Type	Male
Number of positions	1
No. of channels	1

Data management status

Article revision	00
------------------	----

Insulation characteristics

Protection class	III
------------------	-----

Electrical properties

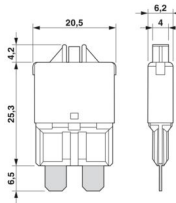
General

Rated voltage	max. 32 V DC
Rated current I_N	6 A
Required backup fuse	Only required if I_{max} of the power supply > the short-circuit switching capacity.
Short-circuit switching capacity	150 A (≥ 3 shutdowns) 2000 A (≥ 1 switch-off)
Voltage drop	< 150 mV

Connection data

Connection method	pluggable
-------------------	-----------

Dimensions

Dimensional drawing	
Width	6.2 mm
Height	19.7 mm
Depth	29.5 mm

Material specifications

Color	moss green (RAL 6005)
Material	Copper, tin-plated

Mechanical properties

TCP 32DC/6A F - Thermal device circuit breaker



1499940

<https://www.phoenixcontact.com/us/products/1499940>

Mechanical data

Open side panel	No
-----------------	----

Environmental and real-life conditions

Ambient conditions

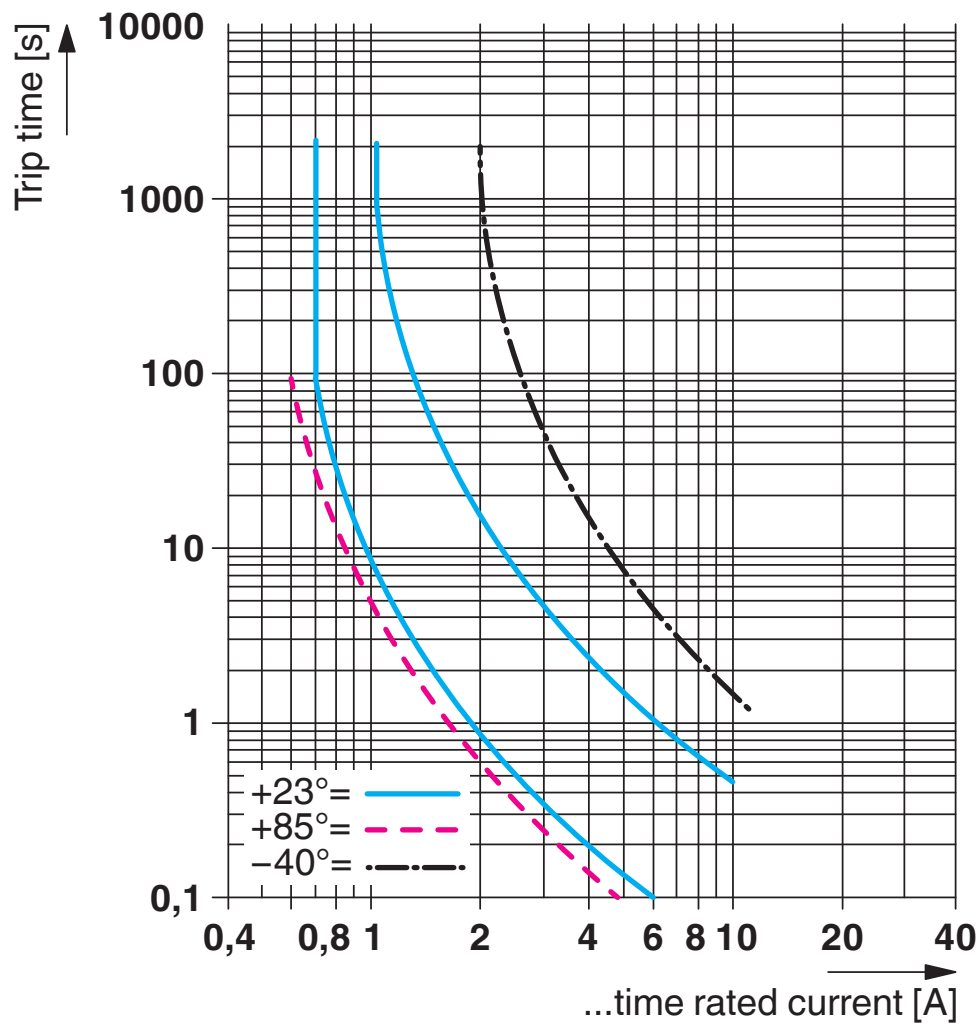
Degree of protection	IP30 (Actuation area)
Ambient temperature (operation)	-40 °C ... 85 °C
Ambient temperature (storage/transport)	-40 °C ... 125 °C

Mounting

Mounting type	on base element
---------------	-----------------

Drawings

Diagram



Trigger characteristic

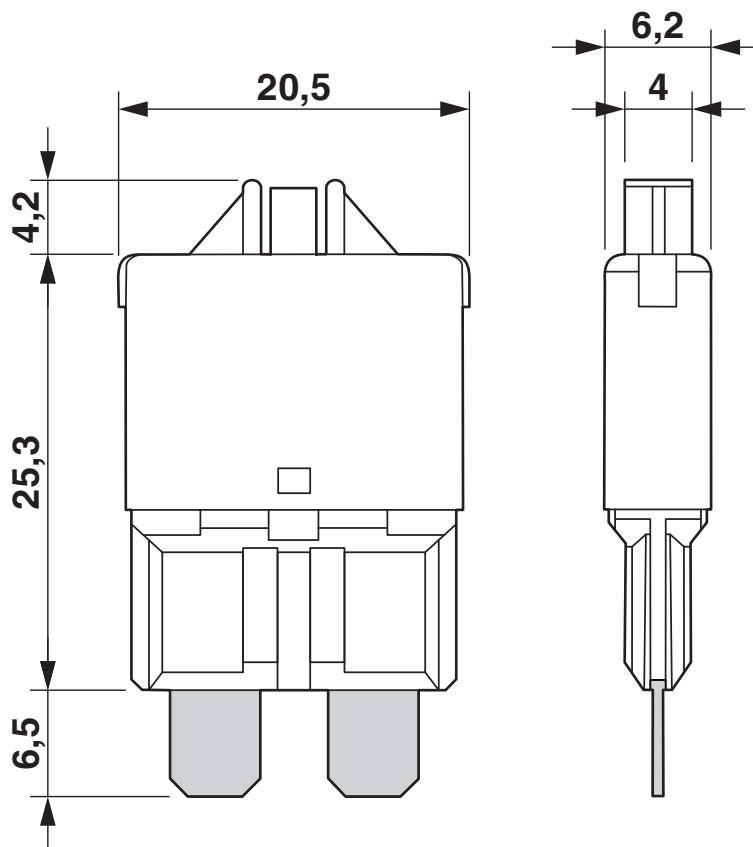
TCP 32DC/6A F - Thermal device circuit breaker

1499940

<https://www.phoenixcontact.com/us/products/1499940>



Dimensional drawing



TCP 32DC/6A F - Thermal device circuit breaker



1499940

<https://www.phoenixcontact.com/us/products/1499940>

Classifications

ECLASS

ECLASS-11.0	27140401
ECLASS-13.0	27140401

ETIM

ETIM 9.0	EC003538
----------	----------

TCP 32DC/6A F - Thermal device circuit breaker



1499940

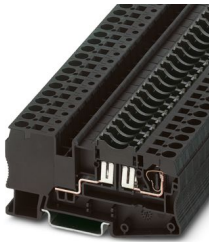
<https://www.phoenixcontact.com/us/products/1499940>

Accessories

ST 4-FSI/C - Fuse modular terminal block

3036372

<https://www.phoenixcontact.com/us/products/3036372>



Fuse modular terminal block, fuse type: Flat, fuse type: C, nom. voltage: 400 V, nominal current: 30 A, connection method: Spring-cage connection, 1 level, Rated cross section: 4 mm², cross section: 0.08 mm²- 6 mm², mounting type: NS 35/7,5, NS 35/15, color: black

ST 4-FSI/C-LED 12 - Fuse modular terminal block

3036495

<https://www.phoenixcontact.com/us/products/3036495>



Fuse terminal block with LED for mounting on NS 35, for miniature circuit breakers, terminal width: 8.2 mm, color: Black

TCP 32DC/6A F - Thermal device circuit breaker



1499940

<https://www.phoenixcontact.com/us/products/1499940>

ST 4-FSI/C-LED 24 - Fuse modular terminal block

3036505

<https://www.phoenixcontact.com/us/products/3036505>



Fuse terminal block with LED for mounting on NS 35, for miniature circuit breakers, terminal width: 8.2 mm, color: Black

UK 6-FSI/C - Fuse modular terminal block

3118203

<https://www.phoenixcontact.com/us/products/3118203>



Fuse modular terminal block, fuse type: Flat, fuse type: C, nom. voltage: 250 V, nominal current: 30 A, number of positions: 1, connection method: Screw connection, 1 level, Rated cross section: 4 mm², cross section: 0.2 mm²- 10 mm², mounting type: NS 35/7,5, NS 35/15, NS 32, color: black

TCP 32DC/6A F - Thermal device circuit breaker



1499940

<https://www.phoenixcontact.com/us/products/1499940>

UK 6-FSI/C-LED12 - Fuse modular terminal block

3001925

<https://www.phoenixcontact.com/us/products/3001925>



Fuse modular terminal block, fuse type: Flat, fuse type: C, nom. voltage: 250 V, nominal current: 30 A, number of positions: 1, connection method: Screw connection, 1 level, Rated cross section: 4 mm², cross section: 0.2 mm²- 10 mm², mounting type: NS 35/7,5, NS 35/15, NS 32, color: black

UK 6-FSI/C-LED24 - Fuse modular terminal block

3001938

<https://www.phoenixcontact.com/us/products/3001938>



Fuse modular terminal block, fuse type: Flat, fuse type: C, nom. voltage: 250 V, nominal current: 30 A, number of positions: 1, connection method: Screw connection, 1 level, Rated cross section: 4 mm², cross section: 0.2 mm²- 10 mm², mounting type: NS 35/7,5, NS 35/15, NS 32, color: black

TCP 32DC/6A F - Thermal device circuit breaker



1499940

<https://www.phoenixcontact.com/us/products/1499940>

PT 6-FSI/C - Fuse modular terminal block

3212166

<https://www.phoenixcontact.com/us/products/3212166>



Fuse modular terminal block, fuse type: Flat, fuse type: Type C / max. 2.2 W, nom. voltage: 400 V, nominal current: 25 A, connection method: Push-in connection, Rated cross section: 6 mm², cross section: 0.5 mm²- 10 mm², mounting type: NS 35/7,5, NS 35/15, color: black

PT 6-FSI/C-LED 12 - Fuse modular terminal block

3212169

<https://www.phoenixcontact.com/us/products/3212169>



Fuse modular terminal block, fuse type: Flat, fuse type: Type C / max. 2.2 W, nom. voltage: 12 V, nominal current: 25 A, connection method: Push-in connection, Rated cross section: 6 mm², cross section: 0.5 mm²- 10 mm², mounting type: NS 35/7,5, NS 35/15, color: black

TCP 32DC/6A F - Thermal device circuit breaker



1499940

<https://www.phoenixcontact.com/us/products/1499940>

PT 6-FSI/C-LED 24 - Fuse modular terminal block

3212172

<https://www.phoenixcontact.com/us/products/3212172>



Fuse modular terminal block, fuse type: Flat, fuse type: Type C / max. 2.2 W, nom. voltage: 24 V, nominal current: 25 A, connection method: Push-in connection, Rated cross section: 6 mm², cross section: 0.5 mm²- 10 mm², mounting type: NS 35/7,5, NS 35/15, color: black

Phoenix Contact 2024 © - all rights reserved

<https://www.phoenixcontact.com>

Phoenix Contact USA
586 Fulling Mill Road
Middletown, PA 17057, United States
(+717) 944-1300
info@phoenixcon.com