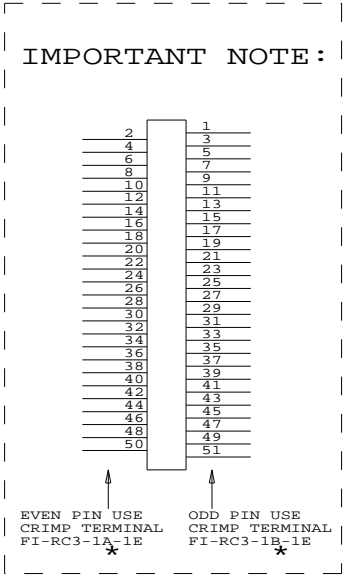
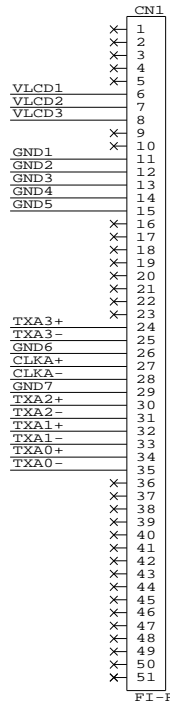
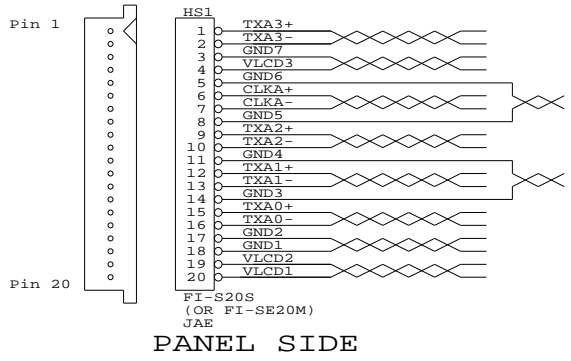
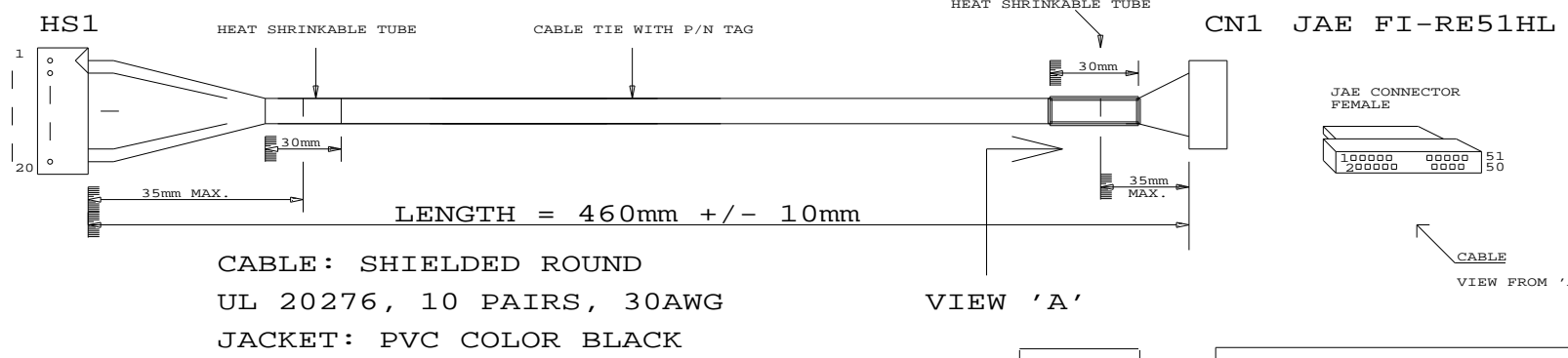


CONNECTION DIAGRAM:



JAE
FI-S20S

CONTROLLER SIDE



RoHS
COMPLIANCE

| | |
|--|-------------------------------------|
| DIGITAL VIEW LTD. COPYRIGHT 2011, ALL RIGHTS RESERVED CONFIDENTIAL | |
| DRAWN BY: VICTOR NG | |
| Title | LVDS CBL: NEC NL10276BC16-01, 460mm |
| Size | Document Number |
| B | (...\DV\DV_CABLE\C7493000.SCH) |
| Date: | January 5, 2011 |
| Sheet | 1 of 1 |

P/N 427493000-3
LVDS PANEL CABLE: NEC NL10276BC16-01, 460mm

IPC/WHWA-A-620A
(CLASS 2)