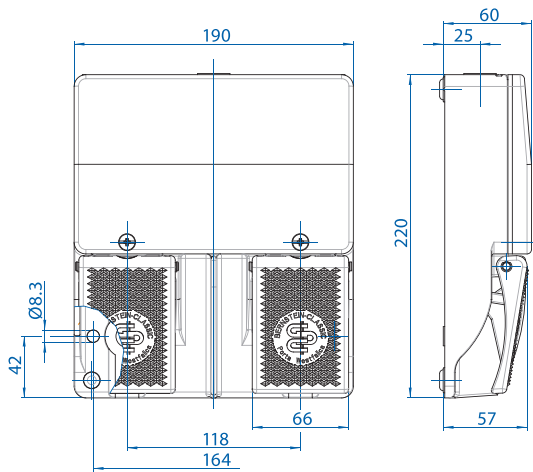


## Double Pedal without Cover

### STANDARD



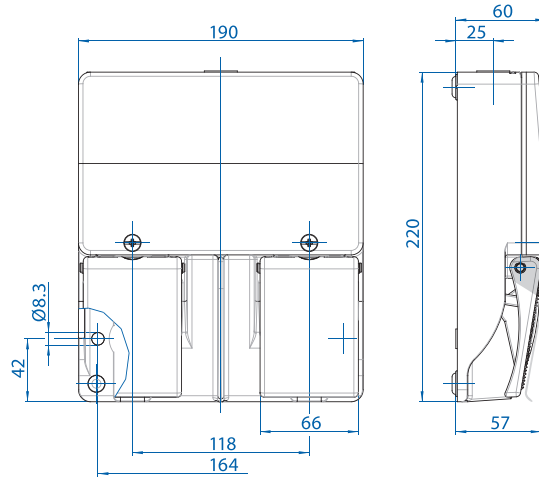
Standard OFF-ON Operation-  
Push pedal to change contact state. Release pedal to return to original state.



### STANDARD with Protective Hinged Cover



Standard OFF-ON Operation-  
Lift protective hinged cover up to activate pedal.  
Push pedal down to change contact state. Release pedal to return to original state. With IP67 Protection Rating (Temporary Submersion).



#### Two pedal foot switch F2

| Article number              | Designation  | Switching contacts |                 |
|-----------------------------|--------------|--------------------|-----------------|
| <b>Snap-action contact:</b> |              |                    |                 |
|                             |              | Pedal 1 (left)     | Pedal 2 (right) |
| 606.2330.021                | F2-SU1Z/SU1Z | 1NC / 1NO          | 1NC / 1NO       |
| 606.2440.065                | F2-SU2Z/SU2Z | 2NC / 2NO          | 2NC / 2NO       |
| <b>Slow-action contact:</b> |              |                    |                 |
|                             |              | Pedal 1 (left)     | Pedal 2 (right) |
| 606.2110.013                | F2-U1Z/U1Z   | 1NC / 1NO          | 1NC / 1NO       |
| 606.2220.015                | F2-U2Z/U2Z   | 2NC / 2NO          | 2NC / 2NO       |

#### Two pedal foot switch F2

| Article number | Designation      | Switching contacts |                 |
|----------------|------------------|--------------------|-----------------|
|                |                  | Pedal 1 (left)     | Pedal 2 (right) |
| 606.2440.573   | F2-SU2ZPS/SU2ZPS | 2NC / 2NO          | 2NC / 2NO       |

# Mouser Electronics

Authorized Distributor

Click to View Pricing, Inventory, Delivery & Lifecycle Information:

[Altech:](#)

[606.2220.015](#) [606.2440.573](#) [606.2110.013](#) [606.2330.021](#)