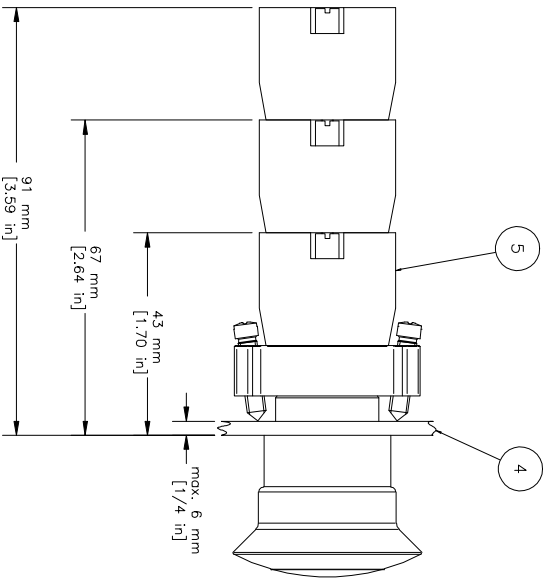
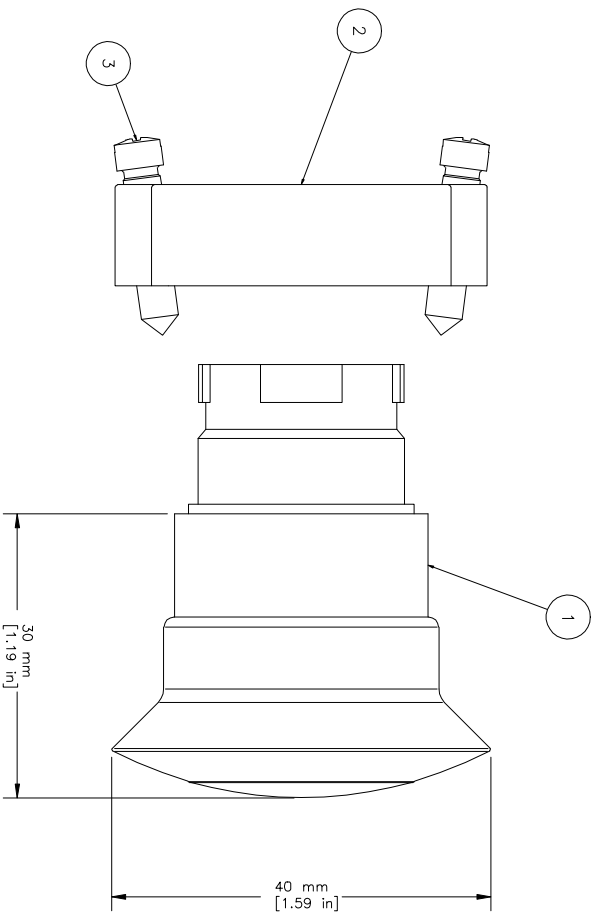
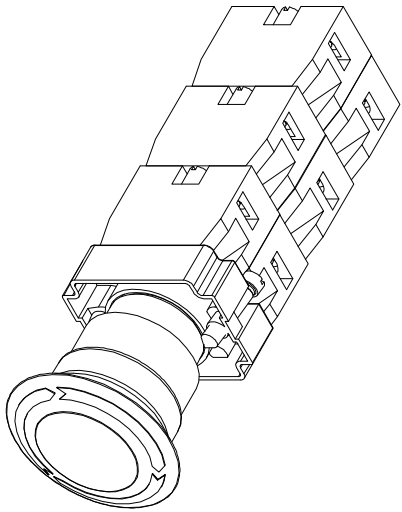


REVISIONS FOR DWG # 1PB-2AMX				
REV	CH. NO.	DESCRIPTION	DATE	REVISED BY
-	-	ORIGINAL DESIGN	09/14/07	Phil E.



ITEM	DESCRIPTION	CAT. NO.	COLOR	MIN. QTY.	MAX. QTY.
1	Mushroom Push-Turn Operator (comes with mounting bracket 2BRK)	2AML1	White	1	1
		2AML2	Black	1	1
		2AML3	Green	1	1
		2AML4	Red	1	1
		2AML6	Blue	1	1
2AML8	Yellow	1	1	1	
2	Mounting Bracket	2BRK	-	1	1
3	Mounting Bracket Screws	Incl. in 2BRK	-	2	2
4	Panel	-	-	-	-
5	Switch Contacts	S1	Green	1	6
		S2	Red	1	6
		S3	Green/Gray	1	6
		S4	Red/Gray	1	6
		S4	Red/Gray	1	6

TITLE: 22 mm Non-Illuminated Mushroom Momentary Metal Operator 2AMX (x=color)

DRAWN BY:	Philip Ernstberger	09/14/07	DRAWING NO.:	1PB-2AMX	REV.:	-
CHECKED BY:	Laszlo Gyorgypal	09/14/07	SCALE:	-	SHEET:	1 OF 1
RELEASED BY:	Laszlo Gyorgypal	09/14/07				

This Drawing is the property of **Attech Corp.**  
 35 Royal Road  
 Flemington NJ 08822-6000  
 (908) 806-9400 • Fax (908) 806-9490

UNLESS OTHERWISE SPECIFIED  
 ALL DIMENSIONS ARE IN MILLIMETERS  
 THIRD ANGLE PROJECTION

AND IS A CONFIDENTIAL DISCLOSURE  
 LENT WITHOUT CONSIDERATION OTHER  
 THAN THE BORROWER'S AGREEMENT  
 THAT IT SHALL NOT BE REPRODUCED,  
 COPIED, LENT, OR DISPOSED OF  
 DIRECTLY OR INDIRECTLY NOR USED  
 FOR ANY PURPOSE OTHER THAN THAT  
 FOR WHICH IT IS SPECIFICALLY  
 FURNISHED.

TOLERANCE

XX	±1 mm
XX X	±0.5 mm
XX.XX	±0.2 mm
ALL	- mm

M-H-R-C

# Mouser Electronics

Authorized Distributor

Click to View Pricing, Inventory, Delivery & Lifecycle Information:

[Altech:](#)

[2AML2](#) [2AMLKB4](#) [2AMLKB2](#) [2AML8](#) [2AML6](#) [2AML4-NB](#) [2AMLKB4-NB](#)