

# Product data sheet

## Miniature connectors



Product description **M16 Male angled connector, Contacts: 5 (05-a), 4.0-6.0 mm, unshielded, solder, IP40**

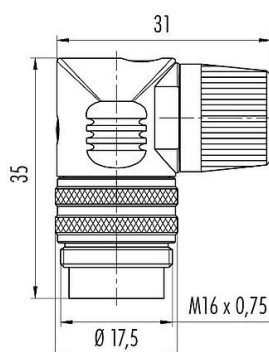
Area **series 682**

Part no. **09 0139 70 05**

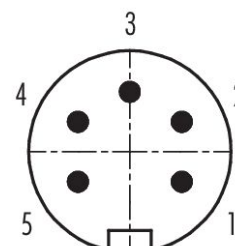
### Illustration



### Scale drawing



### Contact arrangement (Plug-in side)



You can find the assembly instructions on the next page.

### Technical data

#### General features

Part no.	<b>09 0139 70 05</b>
Connector design	Male angled connector
Type standard	DIN EN 61076-2-106
Version	Connector pin angled
Connector locking system	screw
Termination	solder
Degree of protection	IP40
Cross-sectional area	0.75 mm <sup>2</sup> / AWG 18
Cable outlet	4.0-6.0 mm
Temperature range from/to	-40 °C / 85 °C
Mechanical operation	> 1000 Mating cycles
Weight (g)	14.20
Customs tariff number	85369010
Country of Origin	DE

#### Electrical parameters

Rated voltage	250 V
Rated impulse voltage	1500 V
Rated current	6.0 A
Insulation resistance	≥ 10 <sup>10</sup> Ω
Pollution degree	1
Overtoltage category	I
Insulating material group	III

# Product data sheet

## Miniature connectors



Product description	<b>M16 Male angled connector, Contacts: 5 (05-a), 4.0-6.0 mm, unshielded, solder, IP40</b>
Area	<b>series 682</b>
Part no.	<b>09 0139 70 05</b>

EMC compliance unshielded

### Material

Housing material	PA
Contact body material	PBT (UL94 V-0)
Contact material	CuZn (brass)
Contact plating	Ag (silver)
REACH SVHC	CAS 7439-92-1 (Lead)
SCIP number	b1654d97-7d0c-4dc7-b4ee-d0d2ccc13c2a

### Classifications

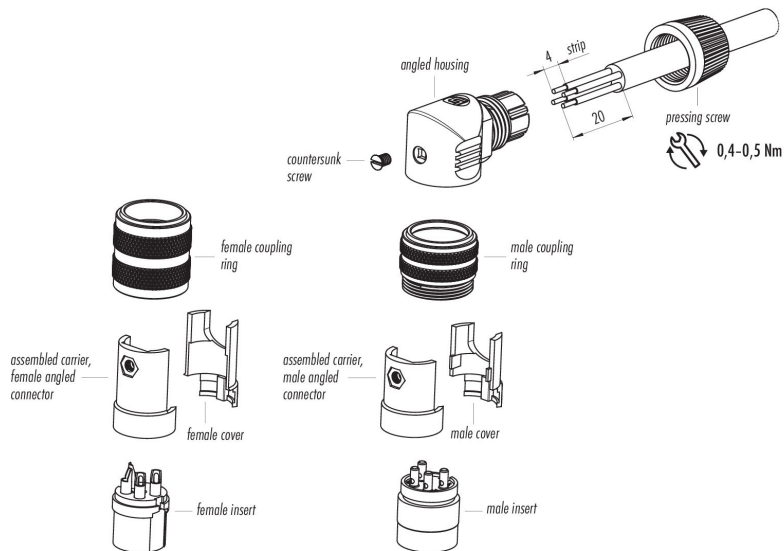
eCl@ss 11.1	27-44-01-09
ETIM 9.0	EC003569

### Declarations of conformity

Low Voltage Directive	2014/35/EU (EN 60204-1:2018;EN 60529:1991)
-----------------------	--

### Assembly instructions

1. Bead angled housing and pressing screw to cable.
2. Dismantle cable to 20 mm length.
3. Strip and solder single wires.
4. Mount contact insert in carrier and cover and bead coupling ring to cable.
5. Fix angled housing with countersunk screw.



Product description	<b>M16 Male angled connector, Contacts: 5 (05-a), 4.0-6.0 mm, unshielded, solder, IP40</b>
Area	<b>series 682</b>
Part no.	<b>09 0139 70 05</b>

## Security notices

The connector must not be plugged or unplugged under load. Non-observance and improper use can result in personal injury.

The connectors have been developed for applications in plant engineering, control and electrical equipment construction. The user is responsible for checking whether the connectors can also be used in other areas of application.

To protect against unintentional opening of the connector, the thread between the housing and the connector head must be secured with a suitable cyanoacrylate adhesive when used in circuits with voltages dangerous to the touch. This does not apply to connectors used in SELV and PELV circuits according to IEC 61140 (EN 61140, VDE 0140-1).

Connectors which are used in circuits with voltages dangerous to the touch may only be installed and used by, or under the supervision of, persons with electrical engineering training, taking into account the applicable regulations and standards.

The user must take suitable safety precautions to ensure that the connector cannot be accidentally disconnected.

The plug connector is not suitable for mains voltages. Please observe the pollution degree and the overvoltage category. For further information, please refer to the download center "Technical Information".

To lock the cable connector with the device connector, the threaded ring is tightened "hand-tight" (approx. 60 cNm).