

MOLEX P/N	LENGTH	TOLERANCE (mm)	AWG	IMPEDANCE	EE SPEC	LABEL CONTEXT
2079911000	152mm	±10	32	100 OHMS	SAS 4.0	SAS4.0 100 Ohm
2079911001	300mm	±10	32	100 OHMS	SAS 4.0	SAS4.0 100 Ohm
2079911002	1000mm	±15	32	100 OHMS	SAS 4.0	SAS4.0 100 Ohm
2079911300	152mm	±10	32	100 OHMS	SAS 3.0	SAS3.0 100 Ohm
2079911301	300mm	±10	32	100 OHMS	SAS 3.0	SAS3.0 100 Ohm
2079911302	1000mm	±15	32	100 OHMS	SAS 3.0	SAS3.0 100 Ohm
2079931001	300mm	±10	32	85 OHMS	PCIe 4.0	PCIe4.0 85 Ohm
2079931002	1000mm	±15	32	85 OHMS	PCIe 4.0	PCIe4.0 85 Ohm

NOTES:  
 1. MATERIAL:  
 HOUSING - PC 94V-0 BLACK  
 LATCH - STAINLESS STEEL  
 EXPANDO - PET  
 CABLE - SHIELD: ALUMNINIZED POLYESTER FOIL  
 - SIGNAL PAIR : SILVER OR TIN-COATED COPPER  
 - DRAIN: TIN-COATED COPPER  
 - CONFORMS TO VW1  
 PCB - FR4 (HALOGEN FREE)  
 2. THIS PRODUCT CONFORMS TO THE MECHANICAL DIMENSIONING OF SFF-8654  
 3. RoHS COMPLIANT. NO EXEMPTIONS

THIS DRAWING CONTAINS INFORMATION THAT IS PROPRIETARY TO MOLEX ELECTRONIC TECHNOLOGIES, LLC AND SHOULD NOT BE USED WITHOUT WRITTEN PERMISSION

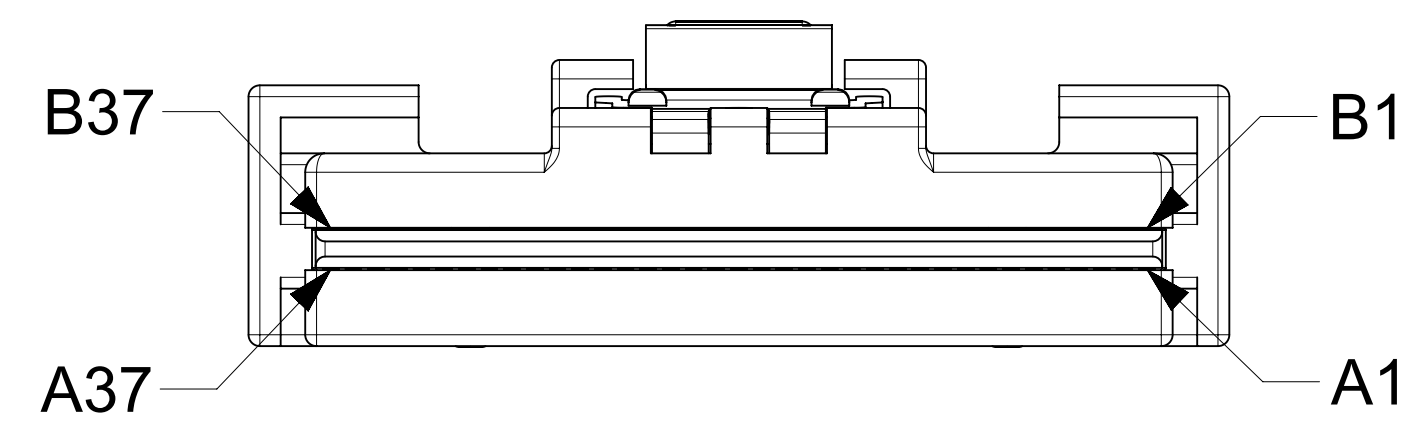
DIMENSION UNITS <b>mm</b>	SCALE <b>5:1</b>	CURRENT REV DESC:	<b>molex</b>		
GENERAL TOLERANCES (UNLESS SPECIFIED)		EC NO: 750925			
ANGULAR TOL ± 3.0°	4 PLACES ±	DRWN: AMRUTH 2023/05/25	PRODUCT CUSTOMER DRAWING		
3 PLACES ± 0.2	2 PLACES ± 0.3	CHK'D: SMALLESHAPPA 2023/05/25	DOCUMENT NUMBER		
1 PLACE ± 0.4	0 PLACES ±	APPR: VPENG01 2023/05/25	DOC TYPE DOC PART REVISION		
DRAFT WHERE APPLICABLE MUST REMAIN WITHIN DIMENSIONS		INITIAL REVISION:	2079911000 PSD 000 C		
THIRD ANGLE PROJECTION		DRWN: LOU01 2018/06/28	MATERIAL NUMBER CUSTOMER SHEET NUMBER		
DRAWING SERIES		APPR: VPENG01 2018/08/13	SEE P/N TABLE GENERAL MARKET 1 OF 3		

**PINOUT DIAGRAM**

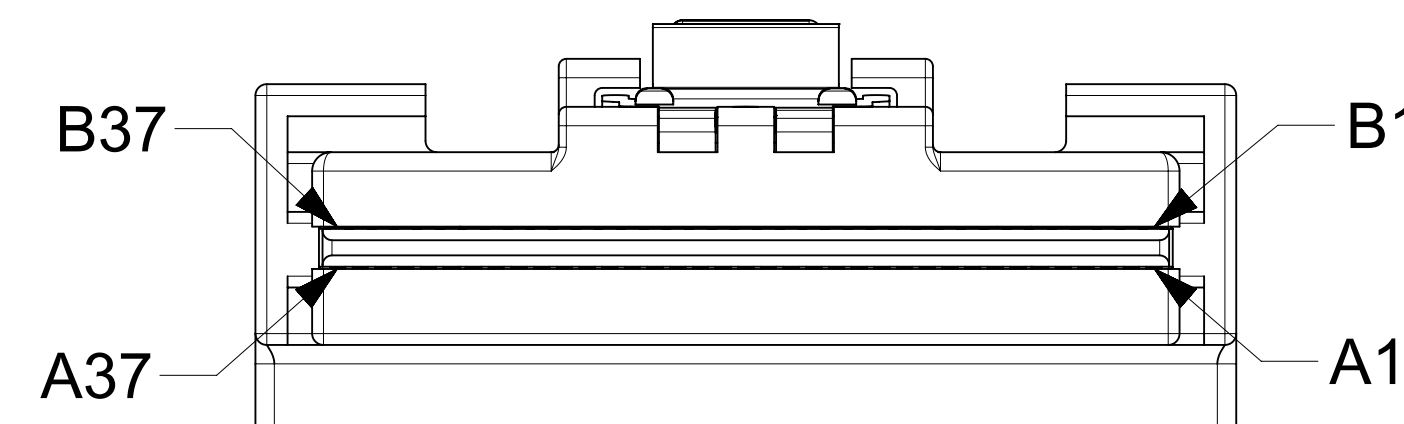
P1		SIGNAL TYPE	P2		P1		SIGNAL TYPE	P2	
GND	A1	—	B1	GND	GND	B1	—	A1	GND
RX0+	A2	←	B2	TX0+	TX0+	B2	→	A2	RX0+
RX0-	A3	←	B3	TX0-	TX0-	B3	→	A3	RX0-
GND	A4	—	B4	GND	GND	B4	—	A4	GND
RX1+	A5	←	B5	TX1+	TX1+	B5	→	A5	RX1+
RX1-	A6	←	B6	TX1-	TX1-	B6	→	A6	RX1-
GND	A7	—	B7	GND	GND	B7	—	A7	GND
SB	A8	↔	B8	SB	SB	B8	↔	A8	SB
SB	A9	↔	B9	SB	SB	B9	↔	A9	SB
SB	A10	↔	B10	SB	SB	B10	↔	A10	SB
SB	A11	↔	B11	SB	SB	B11	↔	A11	SB
SB	A12	↔	B12	SB	SB	B12	↔	A12	SB
GND	A13	—	B13	GND	GND	B13	—	A13	GND
RX2+	A14	←	B14	TX2+	TX2+	B14	→	A14	RX2+
RX2-	A15	←	B15	TX2-	TX2-	B15	→	A15	RX2-
GND	A16	—	B16	GND	GND	B16	—	A16	GND
RX3+	A17	←	B17	TX3+	TX3+	B17	→	A17	RX3+
RX3-	A18	←	B18	TX3-	TX3-	B18	→	A18	RX3-
GND	A19	—	B19	GND	GND	B19	—	A19	GND
RX4+	A20	←	B20	TX4+	TX4+	B20	→	A20	RX4+
RX4-	A21	←	B21	TX4-	TX4-	B21	→	A21	RX4-
GND	A22	—	B22	GND	GND	B22	—	A22	GND
RX5+	A23	←	B23	TX5+	TX5+	B23	→	A23	RX5+
RX5-	A24	←	B24	TX5-	TX5-	B24	→	A24	RX5-
GND	A25	—	B25	GND	GND	B25	—	A25	GND
SB	A26	↔	B26	SB	SB	B26	↔	A26	SB
SB	A27	↔	B27	SB	SB	B27	↔	A27	SB
SB	A28	↔	B28	SB	SB	B28	↔	A28	SB
SB	A29	↔	B29	SB	SB	B29	↔	A29	SB
SB	A30	↔	B30	SB	SB	B30	↔	A30	SB
GND	A31	—	B31	GND	GND	B31	—	A31	GND
RX6+	A32	←	B32	TX6+	TX6+	B32	→	A32	RX6+
RX6-	A33	←	B33	TX6-	TX6-	B33	→	A33	RX6-
GND	A34	—	B34	GND	GND	B34	—	A34	GND
RX7+	A35	←	B35	TX7+	TX7+	B35	→	A35	RX7+
RX7-	A36	←	B36	TX7-	TX7-	B36	→	A36	RX7-
GND	A37	—	B37	GND	GND	B37	—	A37	GND

→ = TRANSMIT TO RECEIVE ON HIGH SPEED CIRCUITS  
 — = GND  
 ↔ = SIDEBAND  
 NOTE: ALL SIGNAL GROUND ARE BUSSED IN PCB.

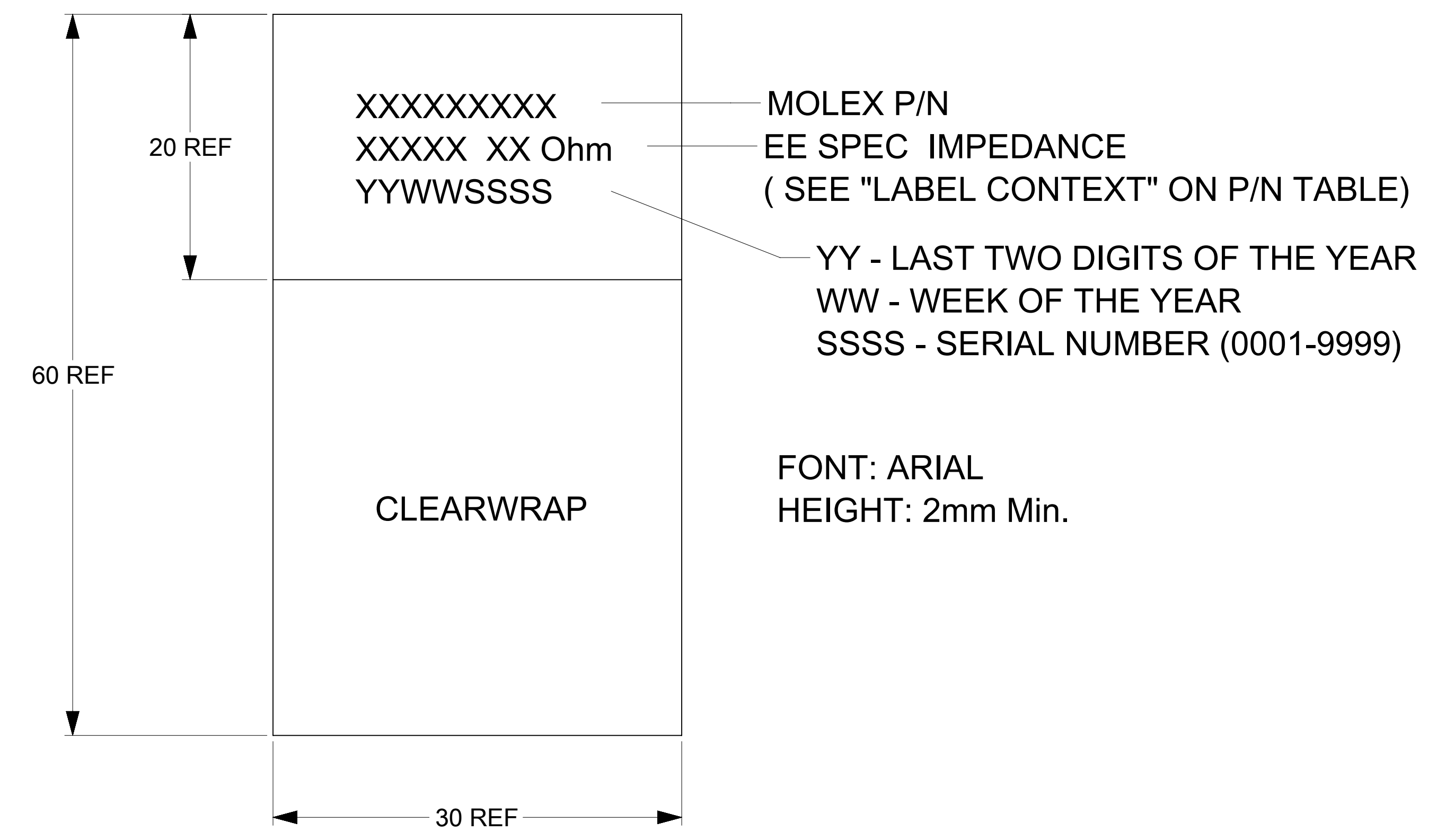
**P1**



**P2**



**LABEL DETAIL**



THIS DRAWING CONTAINS INFORMATION THAT IS PROPRIETARY TO MOLEX ELECTRONIC TECHNOLOGIES, LLC AND SHOULD NOT BE USED WITHOUT WRITTEN PERMISSION									
DIMENSION UNITS		SCALE		CURRENT REV DESC:					
mm		1:1							
GENERAL TOLERANCES (UNLESS SPECIFIED)									
ANGULAR TOL		± 3.0°		EC NO: 750925					
4 PLACES		±		DRWN: AMRUTH 2023/05/25					
3 PLACES		± 0.2		CHK'D: SMALLESHAPPA 2023/05/25					
2 PLACES		± 0.3		APPR: VPENG01 2023/05/25					
1 PLACE		± 0.4		INITIAL REVISION:					
0 PLACES		±		DRWN: LOU01 2018/06/28					
				APPR: VPENG01 2018/08/13					
DRAFT WHERE APPLICABLE MUST REMAIN WITHIN DIMENSIONS				THIRD ANGLE PROJECTION		DRAWING		SERIES	
				D-SIZE		207991			
DOCUMENT NUMBER		DOC TYPE		DOC PART		REVISION			
2079911000		PSD		000		C			
MATERIAL NUMBER		CUSTOMER		SHEET NUMBER					
SEE P/N TABLE		GENERAL MARKET		2 OF 3					



SLIMSAS 8X STR TO RAD CABLE ASSY.

PRODUCT CUSTOMER DRAWING

DOCUMENT NUMBER: 2079911000, DOC TYPE: PSD, DOC PART: 000, REVISION: C

MATERIAL NUMBER: SEE P/N TABLE, CUSTOMER: GENERAL MARKET, SHEET NUMBER: 2 OF 3

REVISION TABLE			
DATE	REV	DESCRIPTION	ENGINEER
2023/05/25	C	SHEET 01: UPDATED NOTE 1 TO "SIGNAL PAIR : SILVER OR TIN-COATED COPPER" SHEET 02: UPDATED LABEL NOTE TO "SSSS - SERIAL NUMBER (0001-9999)"	AMRUTH

THIS DRAWING CONTAINS INFORMATION THAT IS PROPRIETARY TO MOLEX ELECTRONIC TECHNOLOGIES, LLC AND SHOULD NOT BE USED WITHOUT WRITTEN PERMISSION									
DIMENSION UNITS	SCALE	CURRENT REV DESC:			<b>molex</b>				
mm	1:1								
GENERAL TOLERANCES (UNLESS SPECIFIED)					SLIMSAS 8X STR TO RAD CABLE ASSY.				
ANGULAR TOL	± 3.0°				PRODUCT CUSTOMER DRAWING				
4 PLACES	±	EC NO: 750925			DOCUMENT NUMBER				
3 PLACES	± 0.2	DRWN: AMRUTH 2023/05/25			2079911000		DOC TYPE	DOC PART	REVISION
2 PLACES	± 0.3	CHK'D: SMALLESHAPPA 2023/05/25			PSD		000	C	
1 PLACE	± 0.4	APPR: VPENG01 2023/05/25			GENERAL MARKET				
0 PLACES	±	INITIAL REVISION:			SHEET NUMBER				
DRAFT WHERE APPLICABLE MUST REMAIN WITHIN DIMENSIONS		THIRD ANGLE PROJECTION		DRAWING	SERIES	CUSTOMER		3 OF 3	
				D-SIZE	207991	GENERAL MARKET			