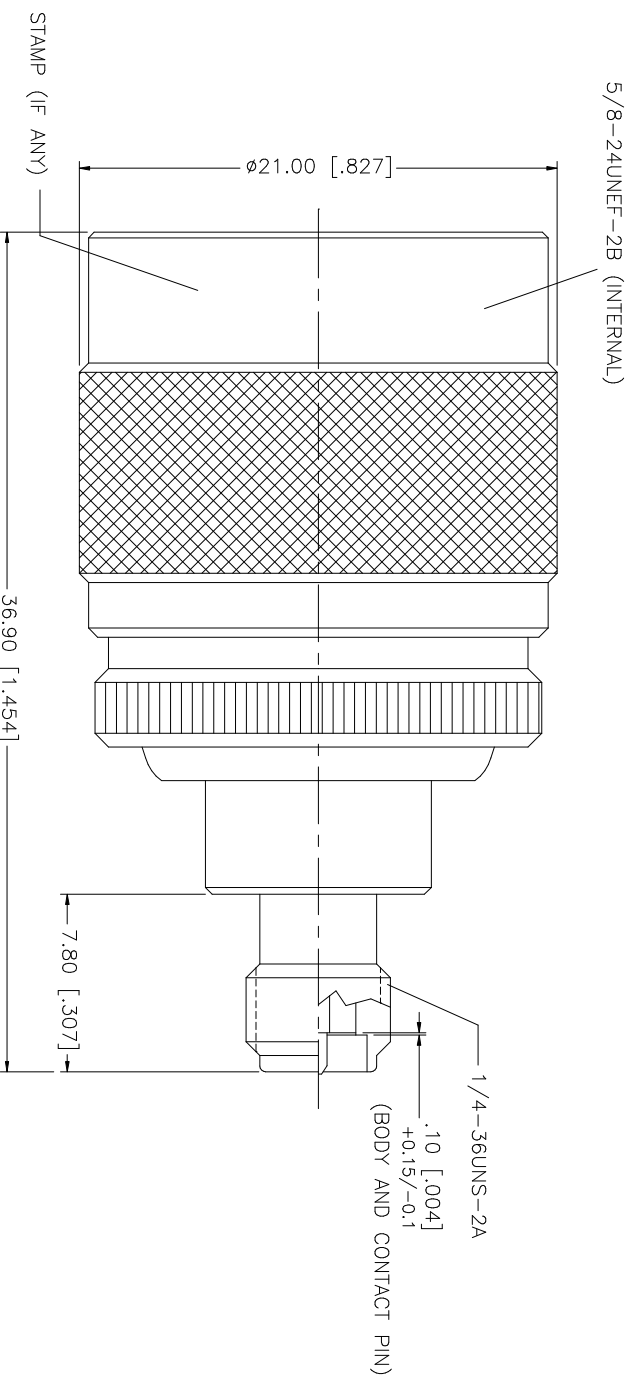


REV.	DATE	DESCRIPTION
NC	06/02/03	INITIAL RELEASE



NO.	DESCRIPTION	MATERIAL	FINISH	QTY	UNLESS OTHERWISE SPECIFIED DIMENSIONS ARE IN INCHES AND FOR CUSTOMER REFERENCE ONLY. TOLERANCES FOR MILLING ARE: UNLESS OTHERWISE SPECIFIED 0.5 - 8mm ± 0.20mm 8 - 30mm ± 0.40mm 30 - 120mm ± 0.50mm	UNLESS OTHERWISE SPECIFIED DIMENSIONS FOR INCHES ARE: TOLERANCES FOR MILLING ARE: UNLESS OTHERWISE SPECIFIED .020 - .315 = ± 0.007" .315 - 1.180 = ± 0.015" 1.180 - 4.724 = ± 0.020"	DO NOT SCALE DRAWING	APPROVALS	DATE	PART DESCRIPTION	DWG. NO.	REV.	SIZE	SCALE
8										Amphenol Connex PART DESCRIPTION N PLUG TO SMA REVERSE POLARITY JACK ADAPTER PART NO. 242113RP	242113RP.DWG	NC	A	NA
7														
6														
5														
4	CONTACT BODY	BRASS	NICKEL	1										
3	CONTACT PIN	PHOS. BRONZE	GOLD	1										
2	INSULATOR	TEFLON	NATURAL	1										
1	BODY	BRASS	NICKEL	1										
	DESCRIPTION	MATERIAL	FINISH	QTY										

CAD FILE	APPROVALS	DATE
C:/242/242113RP.DWG	G.R.S.	06/02/03
	CHECKED	
	ISSUED	
	SHEET	1 OF 1