

1-770007-0 ✓ ACTIVE

MATE-N-LOK | Universal MATE-N-LOK

TE Internal #: 1-770007-0

Pin Contact, Gold, 600 VAC, 20 – 14 AWG Wire Size, .5 – 2 mm<sup>2</sup>

Wire Size, Crimp, Brass, Power, -55 – 120 °C [-67 – 248 °F], Universal

MATE-N-LOK

[View on TE.com >](#)



Connectors > Contacts > Connector Contacts



Contact Type: **Pin**

Contact Mating Area Plating Material: **Gold**

Wire Contact Termination Area Plating Material: **Tin**

Operating Voltage: **600 VAC**

Contact Retention Within Housing: **Without**

## Features

### Product Type Features

Discrete Wire Type	Stranded
--------------------	----------

### Electrical Characteristics

Operating Voltage	600 VAC
-------------------	---------

### Contact Features

Mating Pin Diameter	2.18 mm[.086 in]
Contact Underplating Material Thickness	1.27 µm[50 µin]
Wire Contact Termination Area Plating Thickness	1.27 µm[50 µin]
Contact Mating Area Plating Material Thickness	.76 µm[30 µin]
Contact Orientation	Straight
Contact Underplating Material	Nickel
Contact Type	Pin
Contact Mating Area Plating Material	Gold
Wire Contact Termination Area Plating Material	Tin
Contact Retention Within Housing	Without



Contact Base Material	Brass
-----------------------	-------

Contact Current Rating (Max)	7 A
------------------------------	-----

### Termination Features

Termination Method to Wire & Cable	Crimp
------------------------------------	-------

Product Terminates To	Wire & Cable
-----------------------	--------------

### Mechanical Attachment

Wire Insulation Support	Without
-------------------------	---------

### Dimensions

Compatible Insulation Diameter Range	1.52 – 3.3 mm [.06 – .13 in]
--------------------------------------	------------------------------

Wire Size	.5 – 2 mm <sup>2</sup>
-----------	------------------------

### Usage Conditions

Operating Temperature Range	-55 – 120 °C [-67 – 248 °F]
-----------------------------	-----------------------------

### Operation/Application

Circuit Application	Power
---------------------	-------

### Industry Standards

Compatible With Agency/Standards Products	CSA, UL, VDE
---	--------------

### Packaging Features

Packaging Quantity	4000
--------------------	------

Packaging Method	Reel
------------------	------

### Product Compliance

[For compliance documentation, visit the product page on TE.com>](#)

EU RoHS Directive 2011/65/EU	Compliant
------------------------------	-----------

EU ELV Directive 2000/53/EC	Compliant
-----------------------------	-----------

China RoHS 2 Directive MIIT Order No 32, 2016	No Restricted Materials Above Threshold
---	---

EU REACH Regulation (EC) No. 1907/2006	Current ECHA Candidate List: JUNE 2024 (241) Candidate List Declared Against: JUNE 2024 (241) Does not contain REACH SVHC
--	---

Halogen Content	Low Halogen - Br, Cl, F, I < 900 ppm per homogenous material. Also BFR/CFR/PVC Free
-----------------	---

Solder Process Capability	Not applicable for solder process capability
---------------------------	--

Product Compliance Disclaimer

This information is provided based on reasonable inquiry of our suppliers and represents our current actual knowledge based on the information they provided. This information is subject to change. The part numbers that TE has identified as EU RoHS compliant have a maximum concentration of 0.1% by weight in homogenous materials for lead, hexavalent chromium, mercury, PBB, PBDE, DBP, BBP, DEHP, DIBP, and 0.01% for cadmium, or qualify for an exemption to these limits as defined in the Annexes of Directive 2011/65/EU (RoHS2). Finished electrical and electronic equipment products will be CE marked as required by Directive 2011/65/EU. Components may not be CE marked. Additionally, the part numbers that TE has identified as EU ELV compliant have a maximum concentration of 0.1% by weight in homogenous materials for lead, hexavalent chromium, and mercury, and 0.01% for cadmium, or qualify for an exemption to these limits as defined in the Annexes of Directive 2000/53/EC (ELV). Regarding the REACH Regulation, the information TE provides on SVHC in articles for this part number is based on the latest European Chemicals Agency (ECHA) 'Guidance on requirements for substances in articles' posted at this URL: <https://echa.europa.eu/guidance-documents/guidance-on-reach>

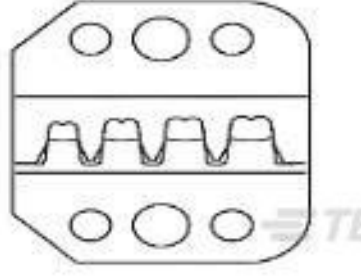
## Compatible Parts



TE Part # 90546-1  
ASSY PRO-CRIMPER UNIV M-N-L



TE Part # 91500-1  
CCII UNML UNML II PIN SKT 20-14 ASSY



TE Part # 90546-2  
PROCRIMPER DIE ASSY UNIV MNL



TE Part # 770022-1  
12P UMNLI IN-LNE PLUG HSG KIT



TE Part # 770019-1  
04P UMNLI IN-LNE PLUG HSG KIT



TE Part # 770028-1  
09P UMNLI IN-LINE CAP HSG KIT



TE Part # 770026-1  
04P UMNLI IN-LINE CAP HSG KIT



TE Part # 770024-1  
02P UMNLI IN-LINE CAP HSG KIT



TE Part # 770029-1  
12P UMNLI IN-LINE CAP HSG KIT



TE Part # 770021-1  
09P UMNLI IN-LNE PLUG HSG KIT



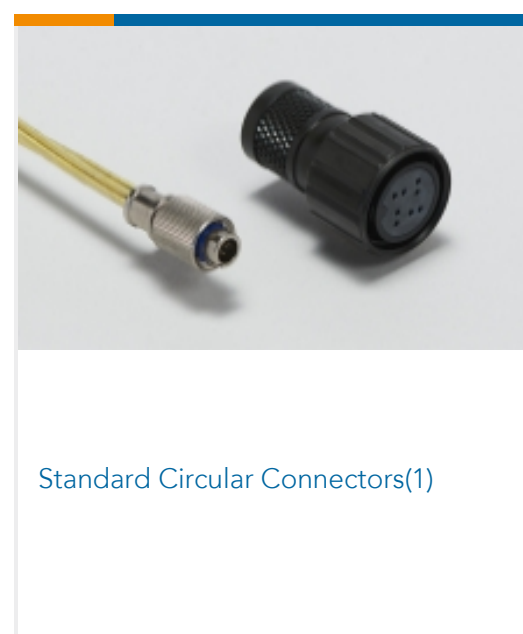
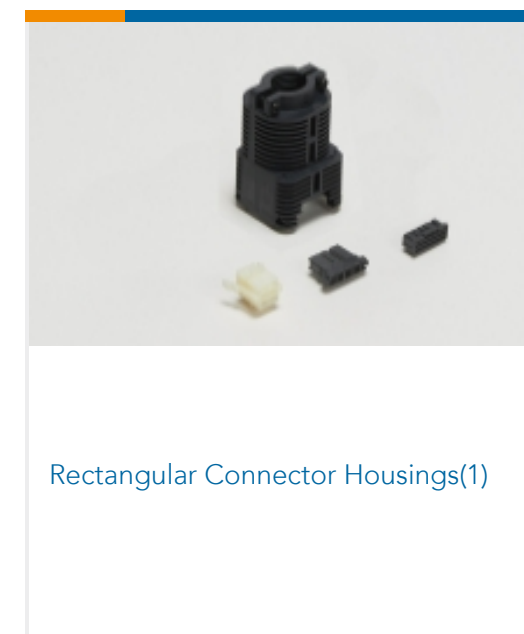
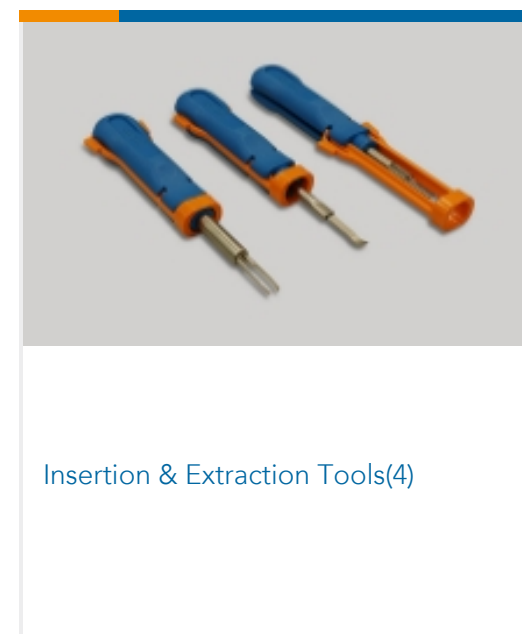
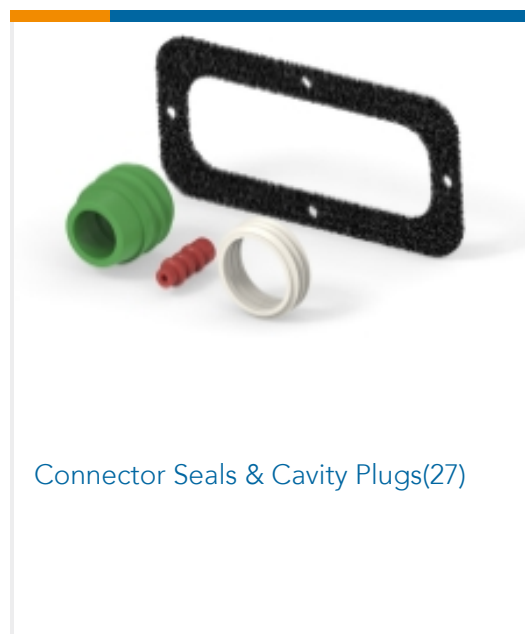
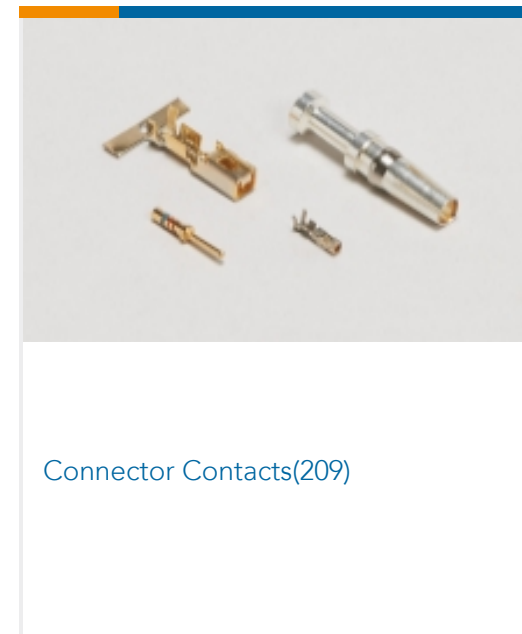
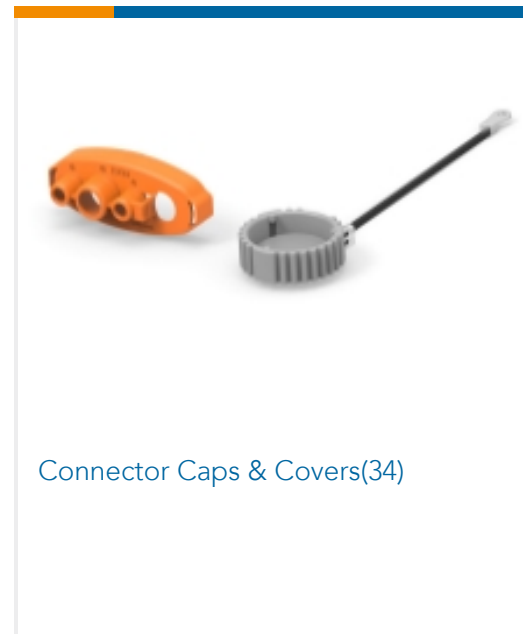
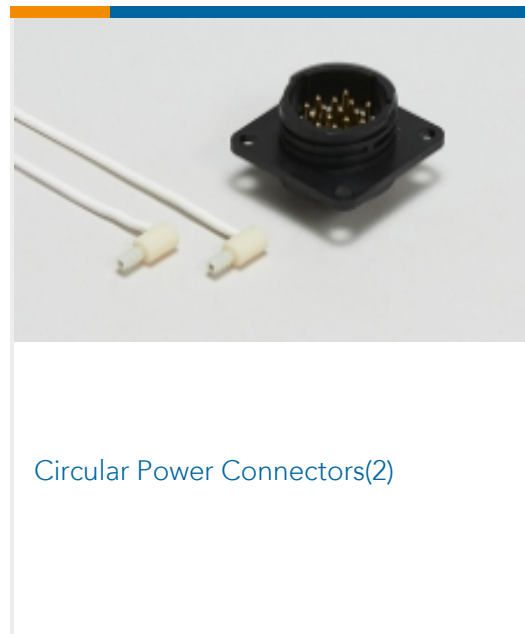
TE Part # 770030-1  
15P UMNLI IN-LINE CAP HSG KIT



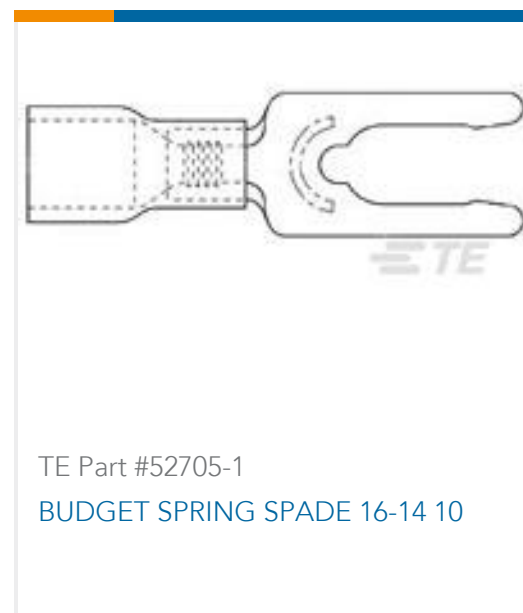
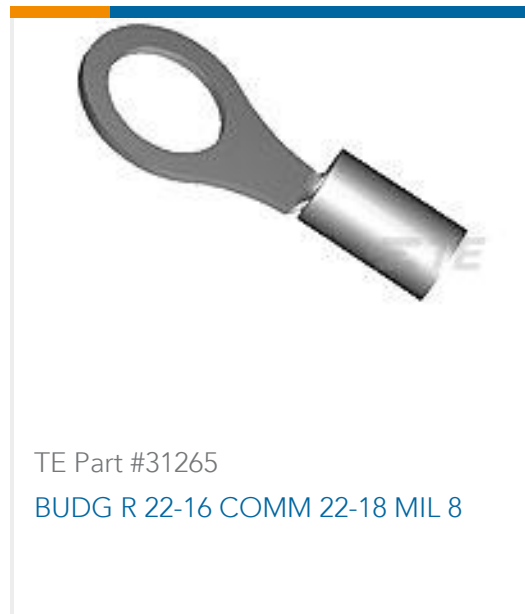
TE Part # 770018-1  
03P UMNLI IN-LNE PLUG HSG KIT



## Also in the Series | Universal MATE-N-LOK



## Customers Also Bought



## Documents

### Product Drawings

[UMNL II PIN AUSN/NI/BR](#)

English

### CAD Files

[3D PDF](#)

3D

Customer View Model

[ENG\\_CVM\\_CVM\\_1-770007-0\\_T.2d\\_dxf.zip](#)

English

Customer View Model

[ENG\\_CVM\\_CVM\\_1-770007-0\\_T.3d\\_igs.zip](#)

English

Customer View Model

[ENG\\_CVM\\_CVM\\_1-770007-0\\_T.3d\\_stp.zip](#)

English

By downloading the CAD file I accept and agree to the [Terms and Conditions](#) of use.

### Datasheets & Catalog Pages



## SOFT\_SHELL\_PIN\_SOCKET\_CONNECTORS\_STANDARD\_DENSITY

English

---

### Product Specifications

### Application Specification

English