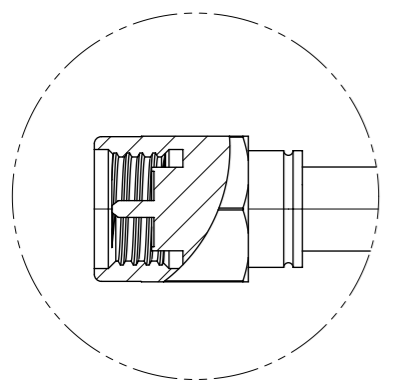
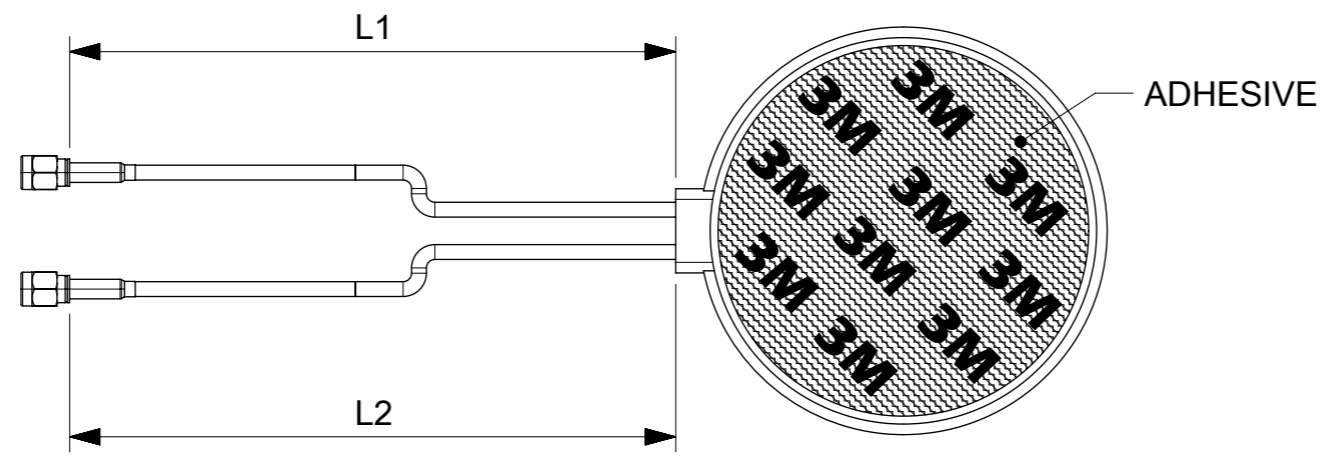
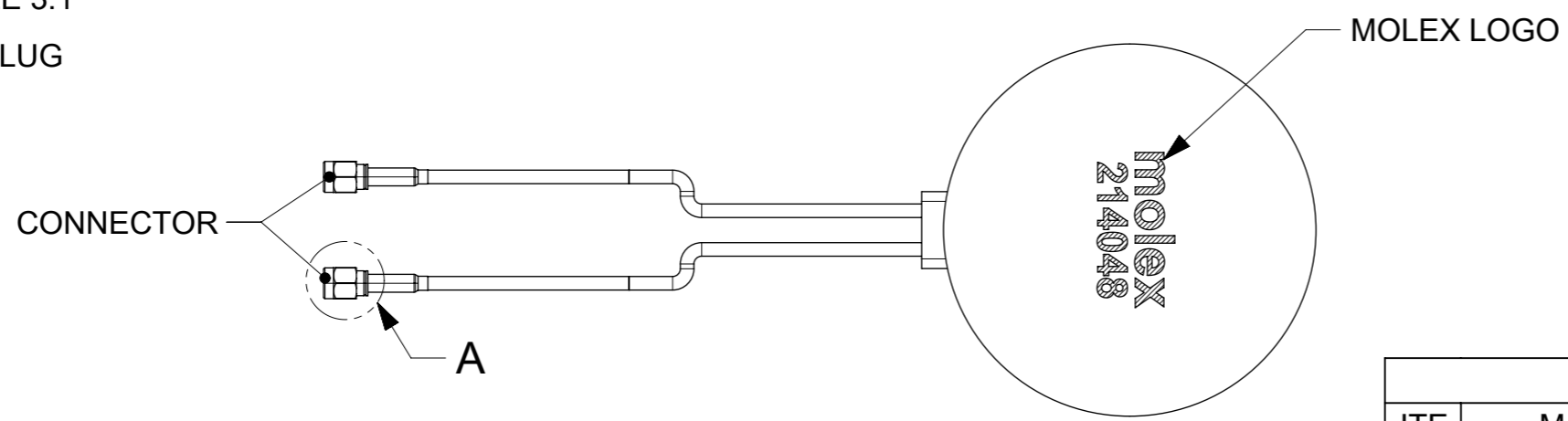
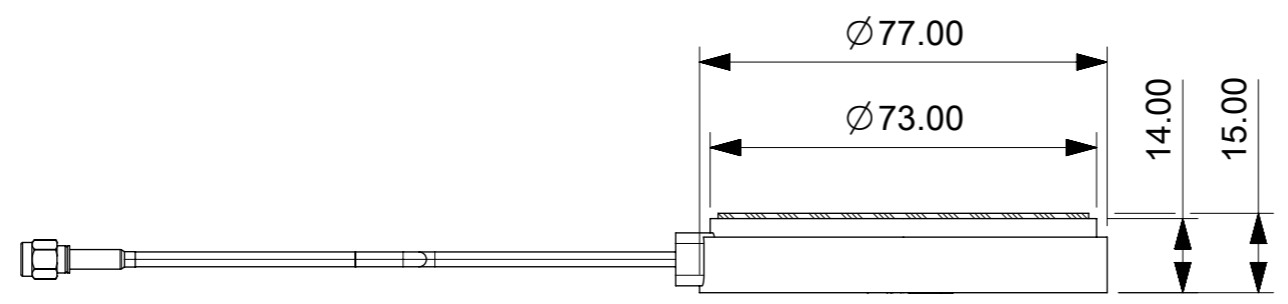


REV	DATE	DESCRIPTION
A	2019/11/11	NEW RELEASE



DETAIL A SCALE 3:1
SMA-J (MALE) PLUG



ITE	MATERIAL	DESCRIPTION
1	PLASTIC CASE	ABS
2	PCB	FR4
3	CABLE	RG174
4	CONNECTOR	SMA-J(MALE) PLUG
5	ADHSIVE	3M CIP-66

NOTES:
 1. CABLE LENGTH:L1=3000±100mm;L2=3000±100mm;
 2. MATERIAL PLEAES REFER TO TABLE A.

SYMBOLS DIMENSION UNITS: mm SCALE: 1:1 GENERAL TOLERANCES (UNLESS SPECIFIED): ANGULAR TOL: ± ° 4 PLACES: ± 3 PLACES: ± 2 PLACES: ± 0.75 1 PLACE: ± 1.5 0 PLACES: ± DRAFT WHERE APPLICABLE MUST REMAIN WITHIN DIMENSIONS	THIS DRAWING CONTAINS INFORMATION THAT IS PROPRIETARY TO MOLEX ELECTRONIC TECHNOLOGIES, LLC AND SHOULD NOT BE USED WITHOUT WRITTEN PERMISSION CURRENT REV DESC:			
	EC NO: 628092 DRWN: KCHENG06 2019/11/15 CHK'D: XJSONG 2019/11/28 APPR: XJSONG 2019/11/28			
INITIAL REVISION: DRWN: KCHENG06 2019/11/15 APPR: XJSONG 2019/11/28		PRODUCT CUSTOMER DRAWING		DOCUMENT NUMBER: 2140483000 DOC TYPE: PSD DOC PART: 000 REVISION: A
THIRD ANGLE PROJECTION		DRAWING: A3-SIZE	SERIES: 214048	