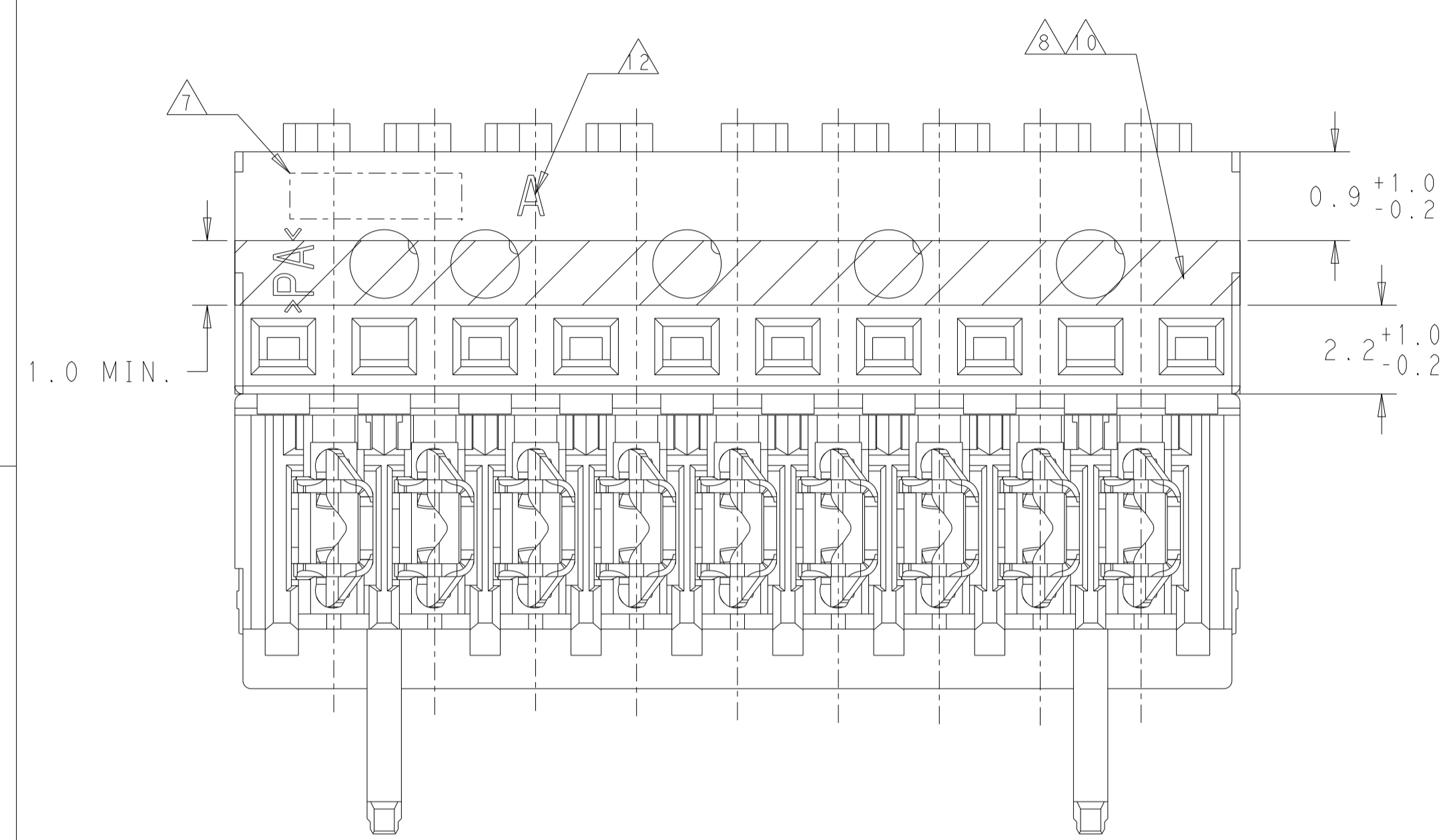
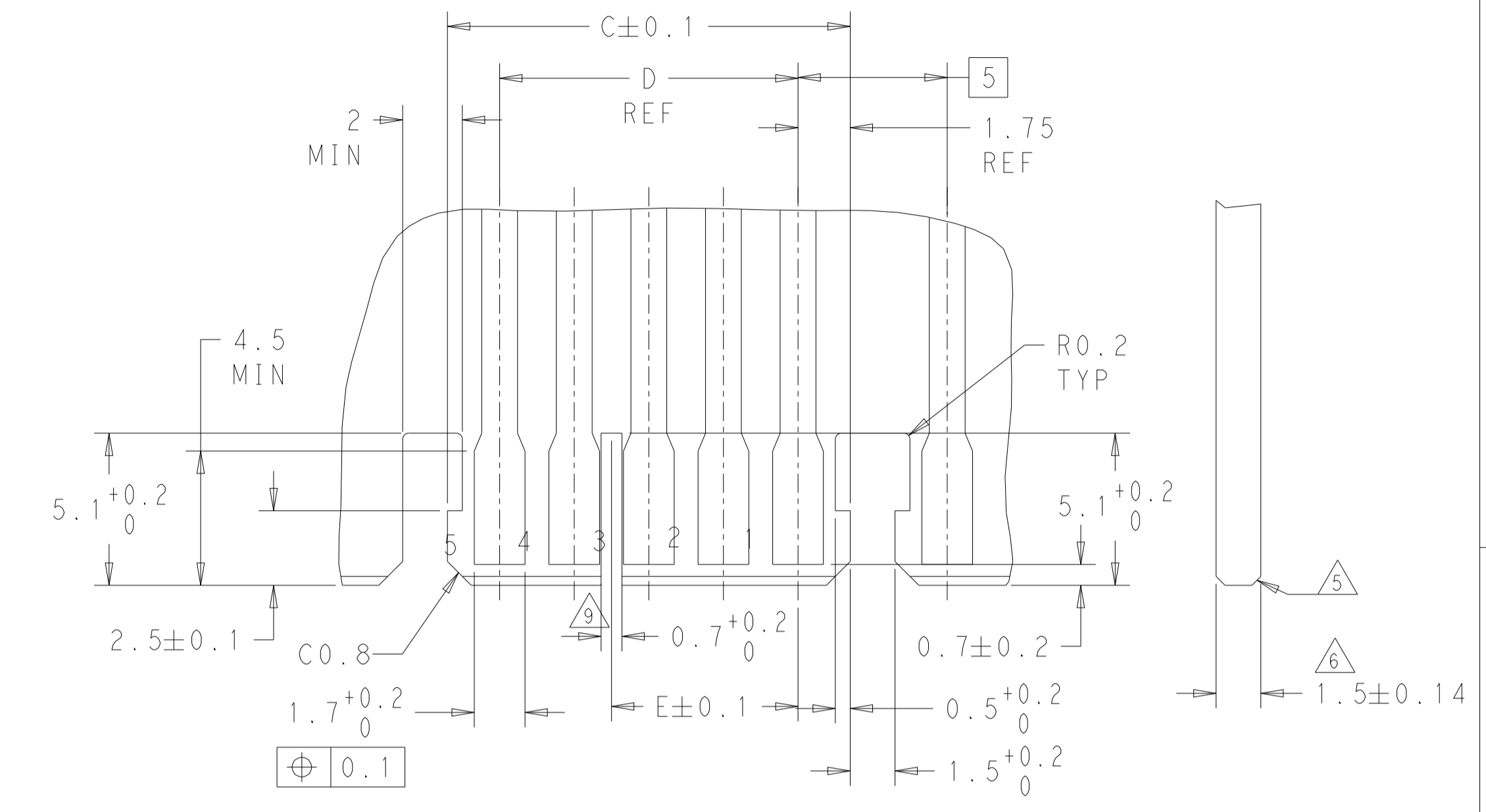


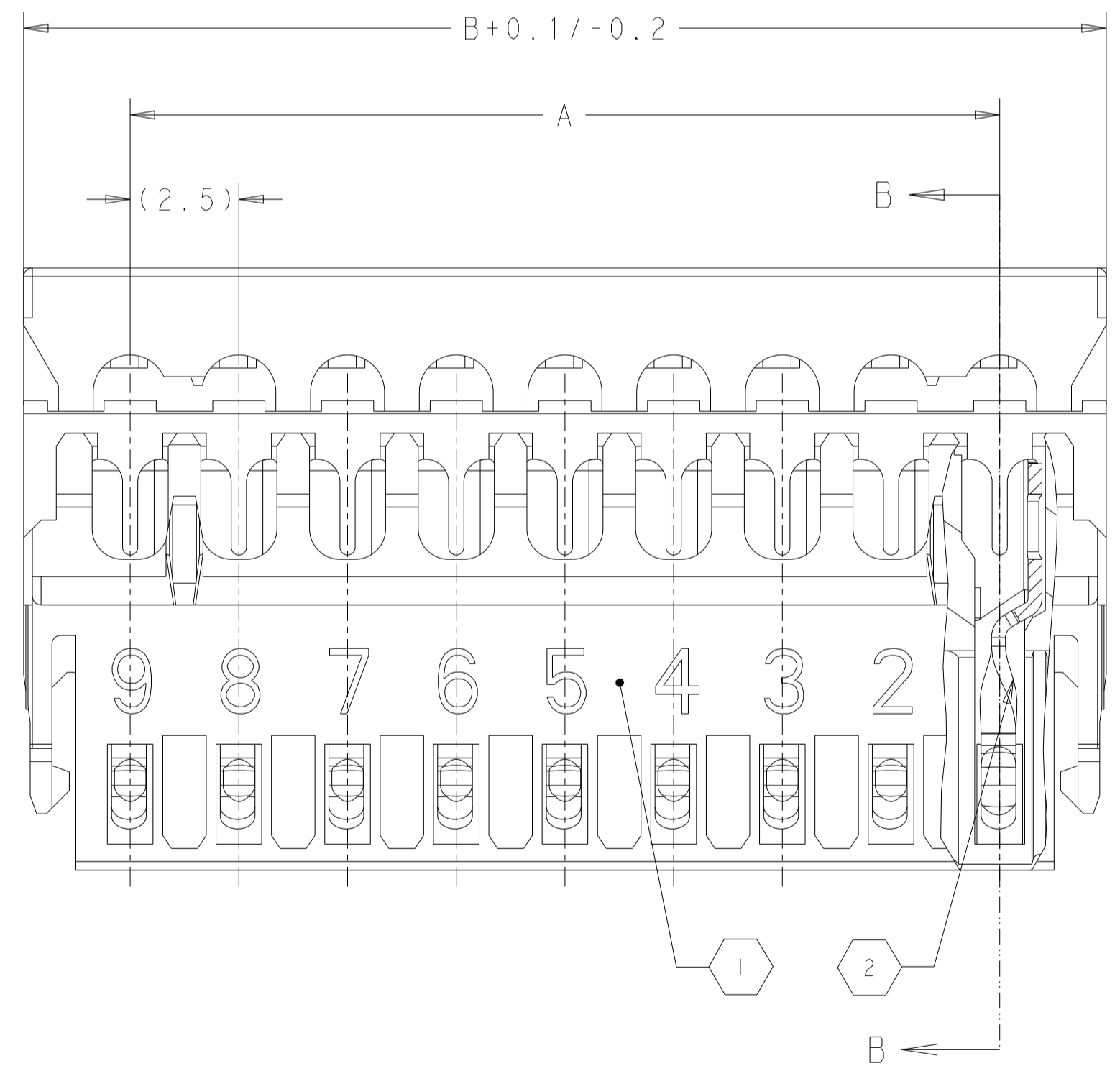
REVISIONS				
P	LTA	DESCRIPTION	DATE	APPROV
B24	ECR-23-191988		14NOV2023	SP FL
B25	ECR-24-197520		22JAN2024	SM FL
B26	ECR-24-198569		31JAN2024	SM FL
B27	ECR-24-199323		05FEB2024	SP FL



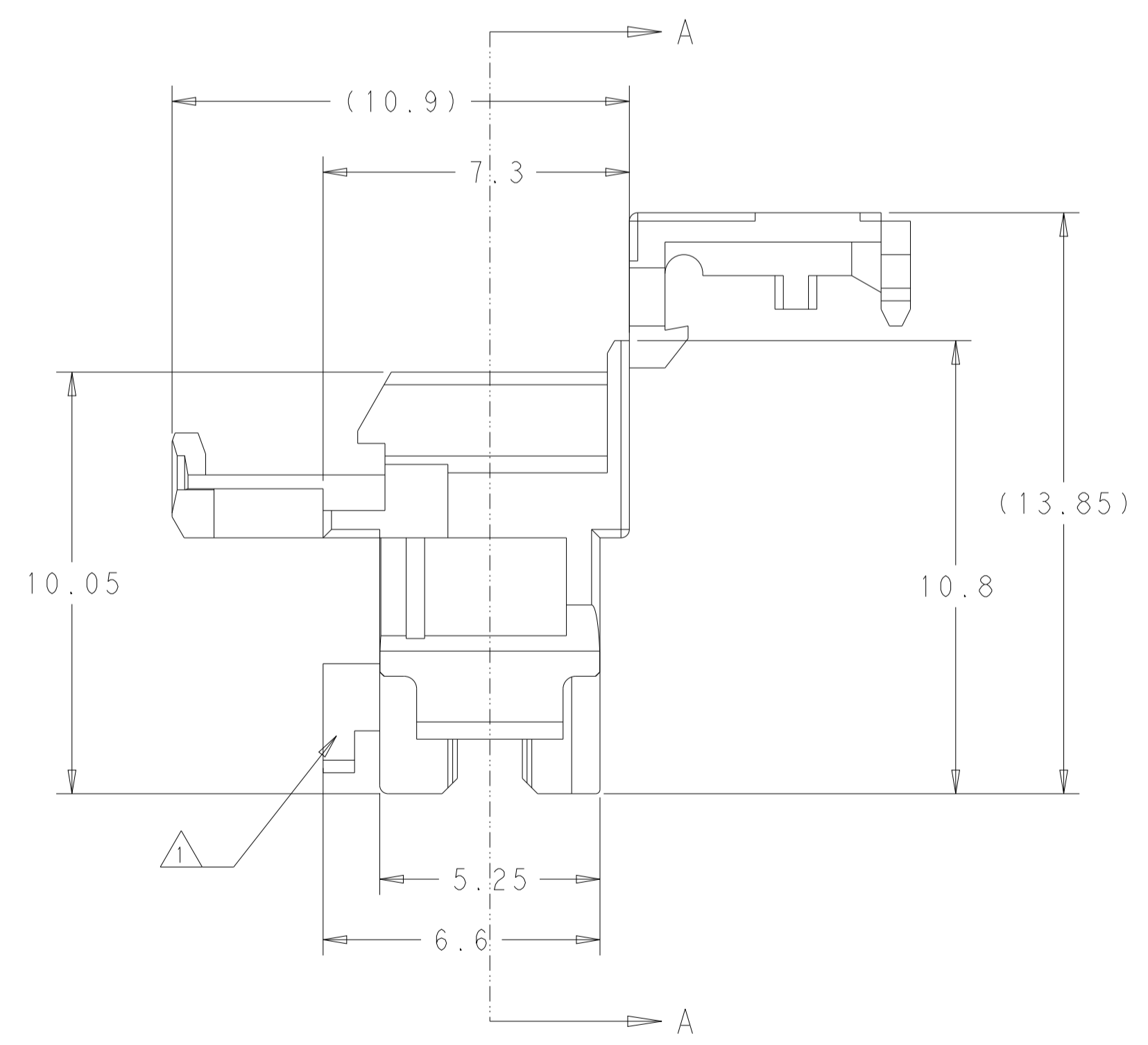
- 1 STRIPE IN YELLOW COLOR WHERE SHOWN PRESENT ON THE PARTS PRODUCED IN TE COLLENO ONLY
- 2 PNs WITHOUT THE INTERNAL WALL NEED ASSISTANT GUIDE DURING THE APPLICATION SUCH AS RAST TAB HEADER
- 3 PRELIMINARY PART NOT RELEASED FOR PRODUCTION
- 4 CAVITY NO.
- 5 KEYING, BETWEEN POSITION
- 6 COLOR MARKING IN THIS AREA.
- 7 SLOT FOR KEYING BETWEEN POSITION
- 8 COLOR STRIP ON COVER OF HOUSING. NOT THE COLOR OF HOUSING
- 9 TE LOGO
- 10 INCLUSIVE COPPER LOADING
- 11 PCB PREFERABLY CHAMFERED
- 12 WIRE RANGE: 0.22-0.35mm<sup>2</sup> SEE APPLICATION SPEC. 114-18467-1
- 13 IEC60695-2-11 / IEC60335-1 GLOW WIRE TEST 750 °C WITHOUT FLAME
- 14 MATING PART: PCB (WITH FRAMES ACC. RAST 2.5 E.G. PN 964 575/576) TABHEADER PN 1971 817/921
- 15 KEYING RIBS; CUTTING WITH TERMINATION MACHINE POSSIBLE



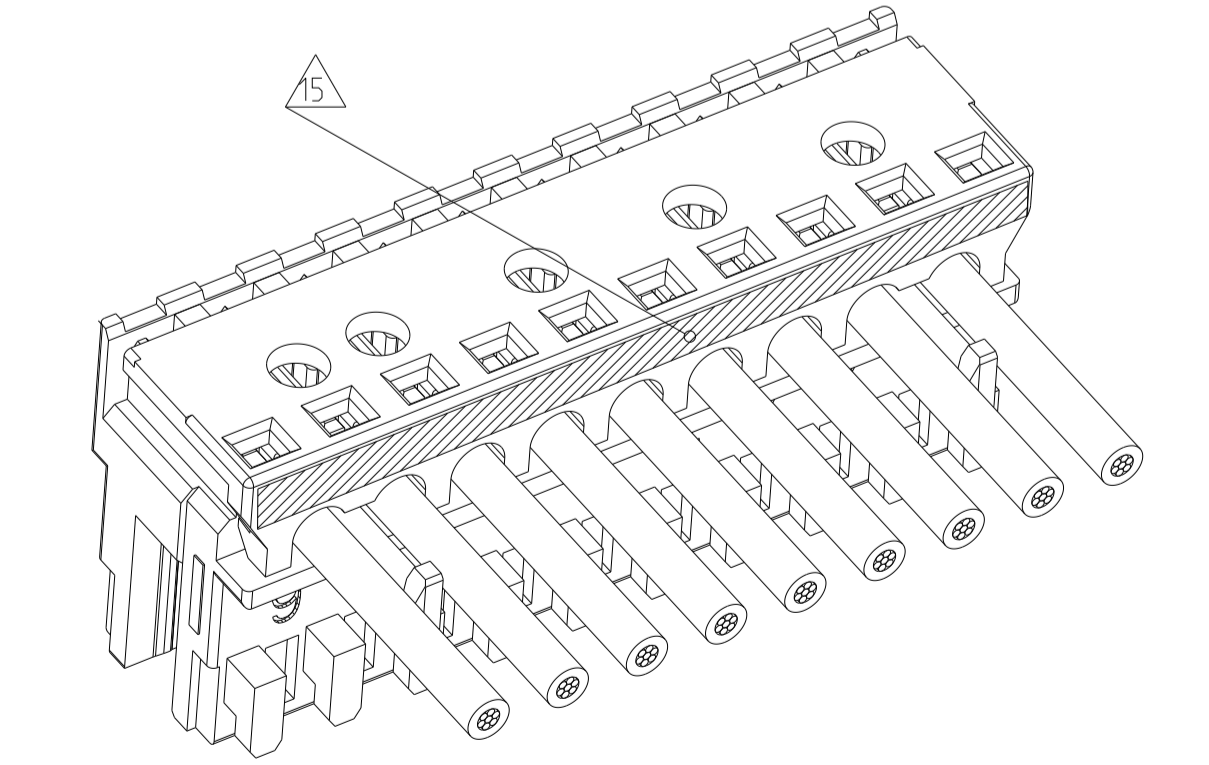
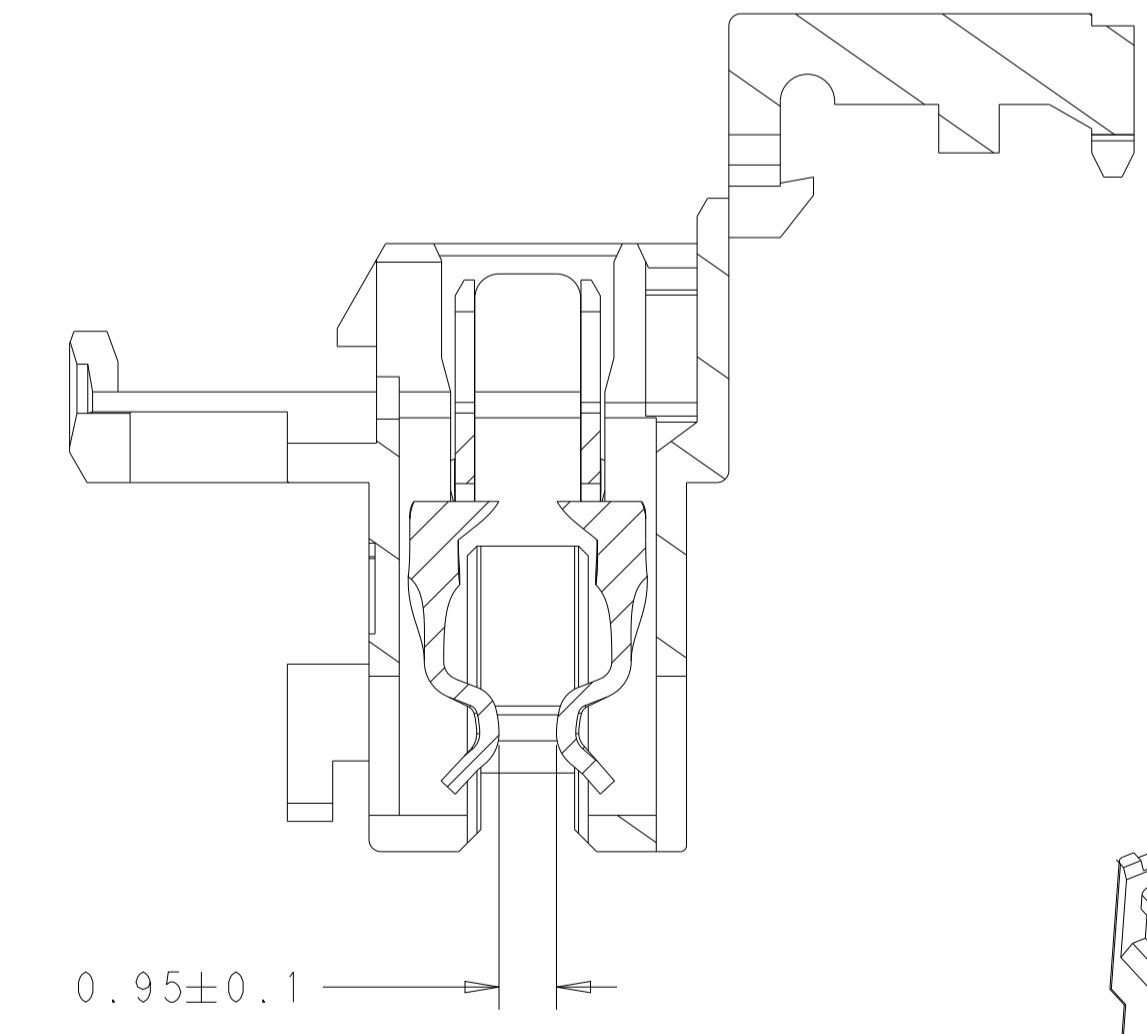
PCB LAYOUT - SOLDERING SIDE



SECTION A-A



SECTION B-B



2	SEE TABLE	CONTACT	CuSn
1	SEE TABLE	HOUSING	PA 3
SL NO	PN	DESCRIPTION	MATERIAL

THIS DRAWING IS A CONTROLLED DOCUMENT. DWN Winter Wang 05-Feb-24  
 CHK Daniel Zhong 15-Mar-17  
 APVD Riccardo Robore 15-Mar-17

DIMENSIONS: mm  
 TOLERANCES UNLESS OTHERWISE SPECIFIED:  
 0 PLC ±0.2  
 1 PLC ±0.2  
 2 PLC ±0.2  
 3 PLC ±0.2  
 4 PLC ±0.2  
 ANGLES ±0.2

MATERIAL: -  
 FINISH: -

NAME: DUOPLUG MARK II SIDE LOCKING  
 PRODUCT SPEC: 108-18785-1  
 APPLICATION SPEC: 114-18467-1  
 WEIGHT: -

SIZE: A1  
 CAGE CODE: -  
 DRAWING NO: C=2306286  
 RESTRICTED TO: -

CUSTOMER DRAWING  
 SCALE: 8:1  
 SHEET: 1 OF 2  
 REV: B27

REVISIONS				
REV	DATE	DESCRIPTION	BY	APPV
-	-	SEE SHEET 1	-	-

GWEPT 750°C NO FLAME & UL94-V0, SILVER PLATED VERSION																		
-	X	X	X	X	X	X	X	X	X	X	9	20.0	24.9	23.5	20.0	3.75	2/3	1-2369990-9
Red											4	7.5	12.4	11.0	7.5	6.25	3/4	1-2369990-4
Color Code	10	9	8	7	6	5	4	3	2	1	POS.	A	B	C	D	E	KEYING	PN Bestell-Nr.

PA GF, GWEPT 750°C NO FLAME & UL94-V0, TIN PLATED VERSION																			
-	X	0	X	X	0	X	0	X	0	X	10	22.5	27.4	26	22.5	6.25	3/4	1-2306287-0	
-	X	X	X	X	X	X	X	X	X	X						3.75	2/3	1-2306286-0	
-		X	X	X	X	X	X	X	X	X							2/3	1-2306286-9	
Black		X	X	X	X	X	X	X	X	X							2/3	2306286-9	
Orange		X	X	0	X	0	X	X	0	X	9	20	24.9	23.5	20	3.75	2/3	4-2306287-9	
-		X	0	X	0	X	0	X	0	X							2/3	3-2306287-9	
-		X	0	X	X	0	X	0	X	X							2/3	2-2306287-9	
-		X	X	0	X	0	X	0	X	X							-	1-2306287-9	
Green		X	0	X	X	0	X	0	X	X						3.75	2/3	2306287-9	
Brown			X	0	X	0	X	X	X	X	8	17.5	22.4	21	17.5	3.75	2/3	2-2306287-8	
Blue			X	X	X	0	X	X	0	X							2/3	1-2306287-8	
-			X	0	X	0	X	X	X	X							2/3	2306287-8	
Black			X	X	X	X	X	X	X	X							3.75	2/3	2-2306286-8
-			X	X	X	X	X	X	X	X							11.25	5/6	1-2306286-8
-			X	X	X	X	X	X	X	X							3.75	2/3	2306286-8
-			X	0	X	0	X	0	X	X							11.25	5/6	3-2306287-7
Black			X	0	X	0	X	0	X	X							8.75	4/5	2-2306287-7
-			X	0	X	0	X	0	X	X							2/3	1-2306287-7	
Blue			X	0	X	0	X	0	X	X	7	15	19.9	18.5	15	3.75	2/3	2306287-7	
-			X	X	X	X	X	X	X	X							11.25	5/6	2-2306286-7
-			X	X	X	X	X	X	X	X							3.75	2/3	1-2306286-7
Black			X	X	X	X	X	X	X	X							2/3	2306286-7	
Black				X	X	X	X	X	X	X							3.75	2/3	5-2306286-6
RED				X	X	X	X	X	X	X							8.75	4/5	4-2306286-6
-				X	X	X	X	X	X	X							6.25	3/4	3-2306286-6
-				X	X	X	X	X	X	X							3.75	2/3	1-2306286-6
-				X	X	X	X	X	X	X							8.75	4/5	2-2306286-6
-				X	X	X	X	X	X	X							3.75	2/3	1-2306286-6
-				X	0	X	X	0	X	X							3.75	2/3	4-2306287-6
-				X	X	0	X	0	X	X							8.75	4/5	3-2306287-6
-				X	0	X	X	0	X	X							3.75	2/3	2-2306287-6
Black				X	0	X	X	0	X	X							3.75	2/3	2306287-6
-				X	0	X	0	X	X	X							3.75	2/3	2-2306287-5
-				X	X	X	0	X	X	X							6.25	3/4	1-2306287-5
Blue				X	X	X	0	X	X	X							6.25	3/4	2306287-5
Grey				X	X	X	X	X	X	X							1.25	1/2	6-2306286-5
-				X	X	X	X	X	X	X							1.25	1/2	5-2306286-5
-				X	X	X	X	X	X	X							6.25	3/4	4-2306286-5
-				X	X	X	X	X	X	X							3.75	2/3	3-2306286-5
Green				X	X	X	X	X	X	X							1.25	1/2	2-2306286-5
Red				X	X	X	X	X	X	X							6.25	3/4	1-2306286-5
Black				X	X	X	X	X	X	X							3.75	2/3	2306286-5
-				X	X	X	X	X	X	X							6.25	3/4	3-2306286-4
-				X	X	X	X	X	X	X							1.25	1/2	2-2306286-4
Red				X	X	X	X	X	X	X	4	7.5	12.4	11	7.5	6.25	3/4	1-2306286-4	
Black				X	X	X	X	X	X	X							1.25	1/2	2306286-4
-				X	0	X	X	X	X	X							1.25	1/2	3-2306287-3
-				X	0	X	X	X	X	X							3.75	2/3	2-2306287-3
Green				X	0	X	X	X	X	X							1.25	1/2	1-2306287-3
Blue				X	0	X	X	X	X	X							3.75	2/3	2306287-3
-				X	X	X	X	X	X	X							3.75	2/3	3-2306286-3
-				X	X	X	X	X	X	X							1.25	1/2	2-2306286-3
Black				X	X	X	X	X	X	X							3.75	2/3	1-2306286-3
Red				X	X	X	X	X	X	X							1.25	1/2	2306286-3
Color Code	10	9	8	7	6	5	4	3	2	1	POS.	A	B	C	D	E	KEYING	PN Bestell-Nr.	

THIS DRAWING IS A CONTROLLED DOCUMENT. DWN Winter Wang 05-Feb-24  
 CHK Daniel Zhong 15-Mar-17  
 APVD Riccardo Robore 15-Mar-17

DIMENSIONS: mm  
 TOLERANCES UNLESS OTHERWISE SPECIFIED:  
 0 PLC ±0.2  
 1 PLC ±0.2  
 2 PLC ±0.2  
 3 PLC ±0.2  
 4 PLC ±0.2  
 ANGLES ±0.2  
 FINISH -

MATERIAL -

WEIGHT -

CUSTOMER DRAWING

NAME DUOPLUG MARK II SIDE LOCKING

SIZE A1 CAGE CODE DRAWING NO. C=2306286

RESTRICTED TO -

SCALE 8:1 SHEET 2 OF 2 REV B27

TE Connectivity