

# ES2A THRU ES2J

## Super Fast Recovery Rectifier Diode

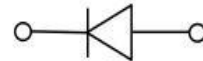
### Features

- Low profile package
- Ideal for automated placement
- Glass passivated chip junction
- Super fast reverse recovery time
- High forward surge capability
- Meets MSL level 1, per J-STD-020,LF maximum peak of 260 °C



### Typical Application

For use in high frequency rectification of power supply, inverters, converters, and freewheeling diodes for consumer and telecommunication.



### Mechanical Data

- Package: DO-214AA(SMB)  
Molding compound meets UL 94 V-0 flammability rating,RoHS-compliant
- Terminals: Tin plated leads, solderable per J-STD-002 and JESD22-B102
- Polarity: Cathode line denotes the cathode end

### Maximum Ratings (Ta=25°C Unless otherwise specified)

PARAMETER	Symbol	Unit	Conditions	ES2				
				A	B	D	G	J
Repetitive Peak Reverse Voltage	$V_{RRM}$	V		50	100	200	400	600
Average Forward Current	$I_o$	A	Half-sine wave, Resistance load, Ta(Fig 1)	2.0				
Surge(Nonrepetitive)Forward Current	$I_{FSM}$	A	60HZ sine wave, 1 cycle, Ta=25°C	50				
Current Squared Time	$I^2t$	A <sup>2</sup> s	1ms≤t<8.3ms Tj=25°C,Rating of per diode	10.4				
Thermal Resistance	$R_{θJA}$	°C/W	Between junction and case	75				
Storage Temperature	$T_{stg}$	°C		-55 ~ +150				
Junction Temperature	$T_j$	°C		-55 ~ +150				

### Electrical Characteristics (Ta=25°C Unless otherwise specified)

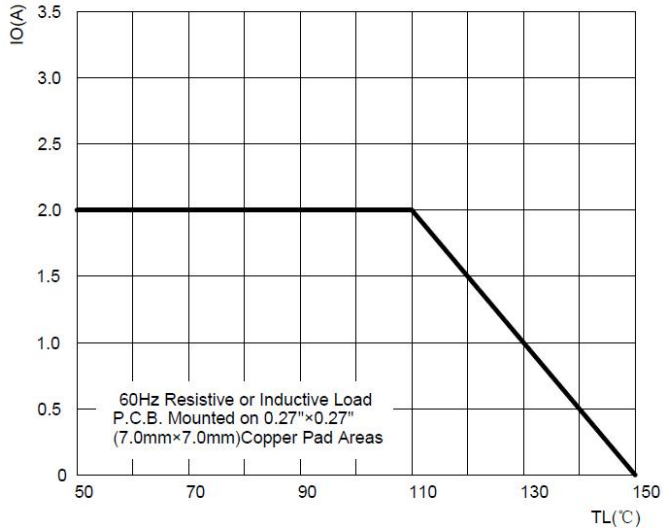
PARAMETER	Symbol	Unit	Conditions	ES2				
				A	B	D	G	J
Peak Forward Voltage	$V_{FM}$	V	$I_F = 1.0A$	0.95			1.3	1.7
Peak Reverse Current	$I_{RRM1}$	μA	$V_{RM} = V_{RRM}$	Ta=25°C				
	$I_{RRM2}$			Ta=125°C				
Maximum reverse recovery time	$T_{rr}$	ns	$I_F = 0.5A, I_R = 1.0A, I_{rr} = 0.25A$	35				



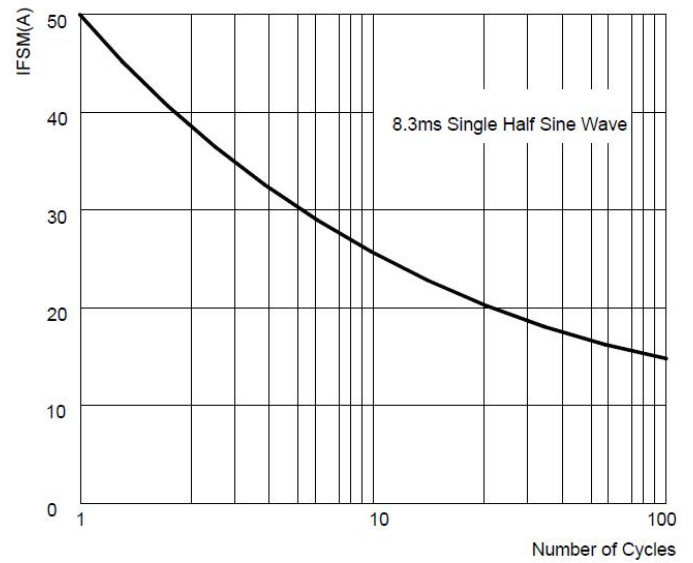
# ES2A THRU ES2J

■ Characteristics (Typical)

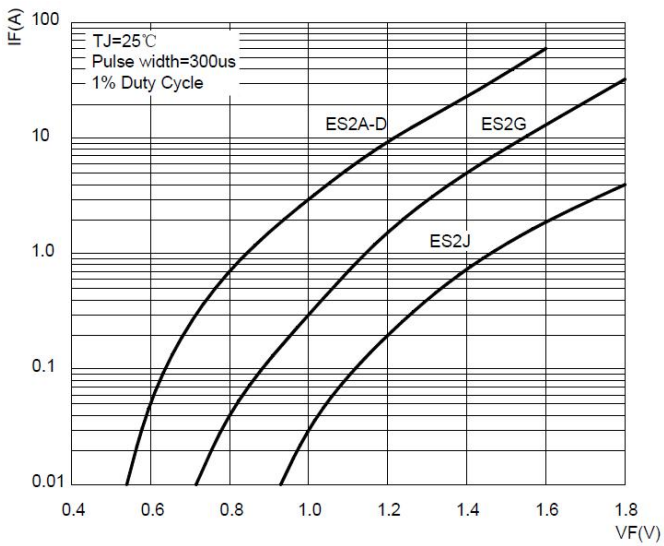
**FIG1: Forward Current Derating Curve**



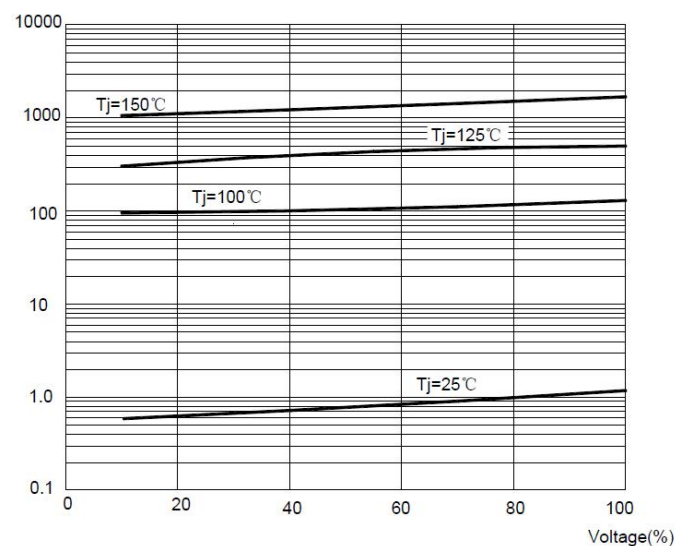
**FIG2: Surge Forward Current Capability**



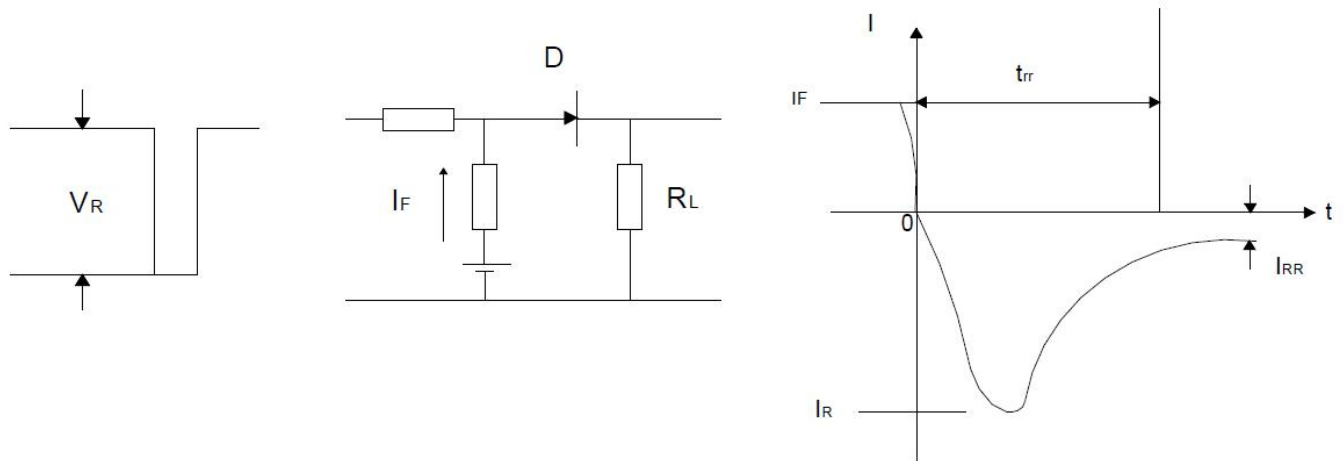
**FIG3: Instantaneous Forward Voltage**



**FIG4: Typical Reverse Characteristics**



**Diagram of circuit and Testing wave form of reverse recovery time**



# ES2A THRU ES2J

## Ordering Information (Example)

PREFERED	PACKAGE CODE	MINIMUM PACKAGE(pcs)	INNER BOX QUANTITY(pcs)	OUTER CARTON QUANTITY(pcs)	DELIVERY MODE
ES2A~ES2J	DO-214AC(SMB)	3000	6000	48000	13" reel

## Outline Dimensions

