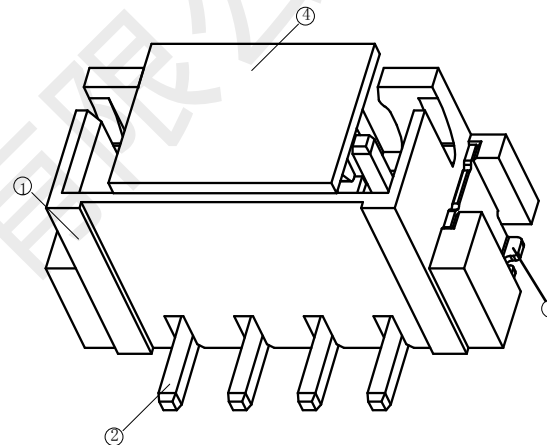
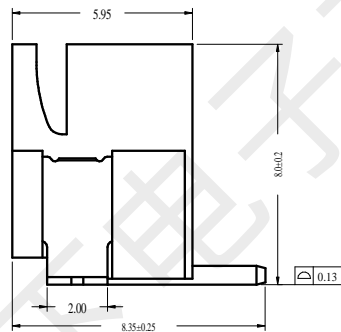
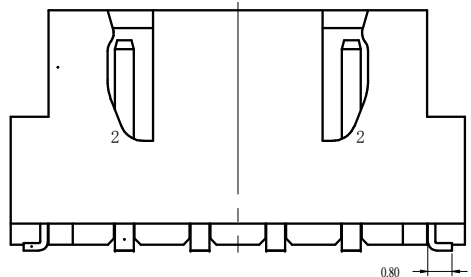
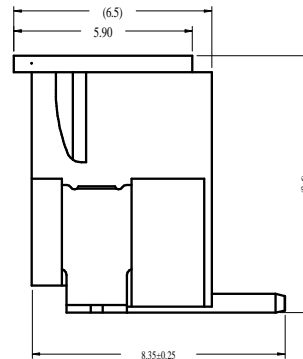
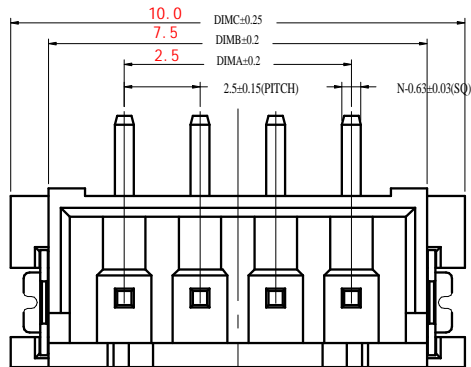
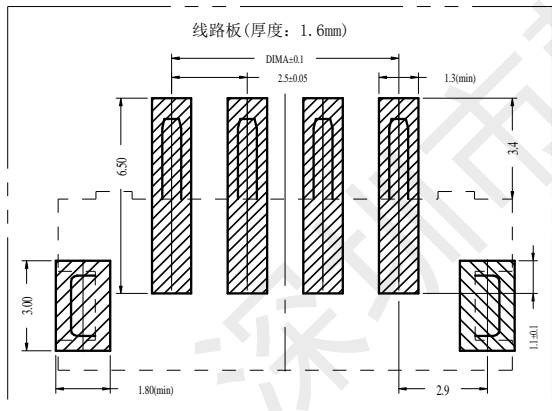


REV.	EC#	DESCRIPTION	DATE	DRAWN	CHECK	APPROVED
1.00		初版发行	2020-05-22			



Pin	DIM.A	DIM.B	DIM.C
15	35.00	40.00	42.50
14	32.50	37.50	40.00
13	30.00	35.00	37.50
12	27.50	32.50	35.00
11	25.00	30.00	32.50
10	22.50	27.50	30.00
9	20.00	25.00	27.50
8	17.50	22.50	25.00
7	15.00	20.00	22.50
6	12.50	17.50	20.00
5	10.00	15.00	17.50
4	7.50	12.50	15.00
3	5.00	10.00	12.50
2	2.50	7.50	10.00

1. 工作温度: -25°C~85°C.
2. 适用线规: AWG#30~#22.
3. 额定电压: 250V DC/AC(rms).
4. 额定电流: 3.0A.
5. 接触电阻: ≤20m .
6. 耐压值: 1000V AC/minute.
7. 绝缘电阻: ≥1000M .



GENERAL TOLERANCES			
DIM	TOL	DIM	DEG
X.		X°	±3.00°
X.X	±0.35	X.X°	±2.00°
X.XX	±0.25	X.XX°	±1.00°
X.XXX	±0.15	X.XXX°	

4	Cap	1 PCS	材质:LCP (UL94V-0),颜色:本色或黑色
3	FITTING NAIL	2 PCS	材质:磷青铜,电镀:光亮锡60u*MIN
2	PIN	n PCS	材质:黄铜,电镀:光亮锡60u*MIN
1	Housing	1 PCS	材质:LCP (UL94V-0),颜色:本色或黑色
NO.	NAME	QTY	DESCRIPTION



深圳市韩下电子有限公司

DRAW:	李春风	2020-05-22	TITLE:	HX 2.54-2P LT	DRAW NAME:	WAFER 2.5LTA NX 2
DESIGN:			SERIES:	2021 SERIES	DRAW NO.:	
CHECK:	钟华华	2020-05-22	P/N:		UNIT:	mm
APPROVED:	罗孝金	2020-05-22	SCALE:	N/A	SHEET:	1/1
CUSTOMER DRAWING			REV. 1.00	SCALE N/A	+	