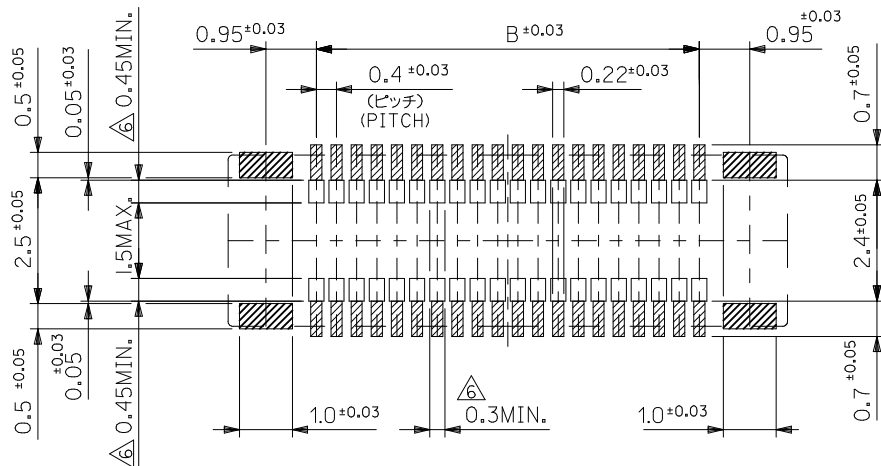


14.3	12.4	15.9	51338-6473	64
12.3	10.4	13.9	51338-5473	54
10.3	8.4	11.9	51338-4473	44
3.5	1.6	5.1	51338-9873	10
C	B	A	EMBOSSED TAPE PKG	極数
ORDER No. オーダー番号				CIRCUIT

REVISED EC NO: J2010-2586 DRWN: YON002 CHKD: S. MARUYAMA APPR: MSASAO	GENERAL TOLERANCES (UNLESS SPECIFIED)		DIMENSION STYLE MM ONLY	SCALE ---	CONNECTOR SERIES No.: 51338-***9
	10 UNDER	± 0.2	DRAWN BY Y. NUKANOBU	DATE 2010/01/25	DESIGN UNITS METRIC
	10 OVER 30 UNDER	± 0.25	CHECKED BY S. MARUYAMA	DATE 2010/01/25	
	30 OVER	± 0.3	APPROVED BY M. SASAO	DATE 2010/01/25	THIRD ANGLE PROJECTION
REV	DESCRIPTION	ANGULAR ± 3 °	MATERIAL NO.	DOCUMENT NO.	TITLE
B		DRAFT WHERE APPLICABLE MUST REMAIN WITHIN DIMENSIONS	SEE TABLE	SD-51338-005	0.4 B-TO-B REC ASSY HGT=1.5 J-BEND TAIL
			SIZE A3		MOLEX INCORPORATED
			THIS DRAWING CONTAINS INFORMATION THAT IS PROPRIETARY TO MOLEX INCORPORATED AND SHOULD NOT BE USED WITHOUT WRITTEN PERMISSION		
					SHEET NO. 1 OF 2

注記 NOTES:

- 使用材料 MATERIAL
 ハウジング: 液晶ポリマー (LCP) ガラス充填 UL94V-0 (黒)
 HOUSING: LIQUID CRYSTAL POLYMER (GLASS FILLED)
 UL94V-0 (COLOR: BLACK)
 ターミナル: リン青銅 (t=0.15)
 TERMINAL: PHOSPHOR BRONZE (t=0.15)
 金具: リン青銅 (t=0.15)
 FITTING NAIL: PHOSPHOR BRONZE (t=0.15)
 - メッキ仕様 PLATING
 ターミナル TERMINAL
 金メッキ 0.2マイクロメートル以上 (コンタクト部)
 GOLD 0.2MICROMETER MINIMUM (CONTACT AREA)
 金メッキ 0.4マイクロメートル以下 (テール部)
 GOLD 0.4MICROMETER MAXIMUM (TAIL AREA)
 下地メッキ: ニッケルメッキ 1.5マイクロメートル以上
 UNDER PLATING: NICKEL 1.5MICROMETER MINIMUM
 *コンタクト部とテール部はニッケルメッキによって分断されている金メッキです。
 *DIVIDE INTO PARTS THE GOLD PLATING OF THE CONTACT AND THE TAIL PART BY THE NICKEL PLATING.
 金具 FITTING NAIL
 錫メッキ 1.0 マイクロメートル以上
 TIN PLATING 1.0 MICROMETER MINIMUM
 下地メッキ: ニッケルメッキ 1.0 マイクロメートル以上
 UNDER PLATING: NICKEL 1.0 MICROMETER MINIMUM
- ③ (全極数/2) = 偶数の場合に適用。
 APPLY FOR (CIRCUIT/2) = EVEN.
- 嵌合相手: 55909シリーズ
 MATE WITH: 55909 SERIES.
 - テール平坦度は、0.08以下
 テール及び金具の平坦度は、0.1以下
 TAIL COPLANARITY TO BE 0.08 MAXIMUM
 TAIL AND FITTING NAIL COPLANARITY TO BE 0.1 MAXIMUM
 - 同一回路以外のパターン書込み禁止範囲を示す。
 NO PRINT CIRCUIT AREA OTHER THAN THE SAME CIRCUIT.
 - 本製品は 51338-***3 の鉛フリー品である。
 THIS PRODUCT IS LEAD FREE OF 51338-***3.
 - ELV及びRoHS適合品
 ELV AND RoHS COMPLIANT

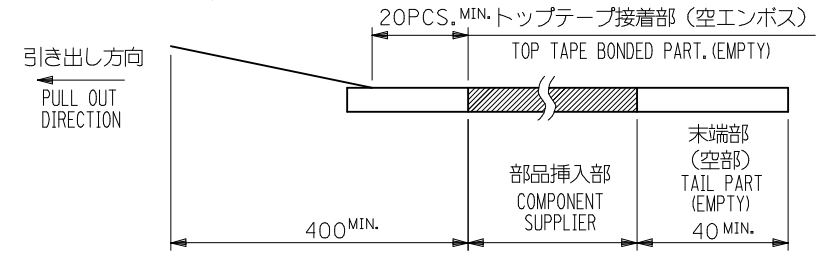


参考基板レイアウト (マウント面)
 P.W.BOARD PATTERN DIMENSION (REFERENCE)
 (MOUNTING AREA)

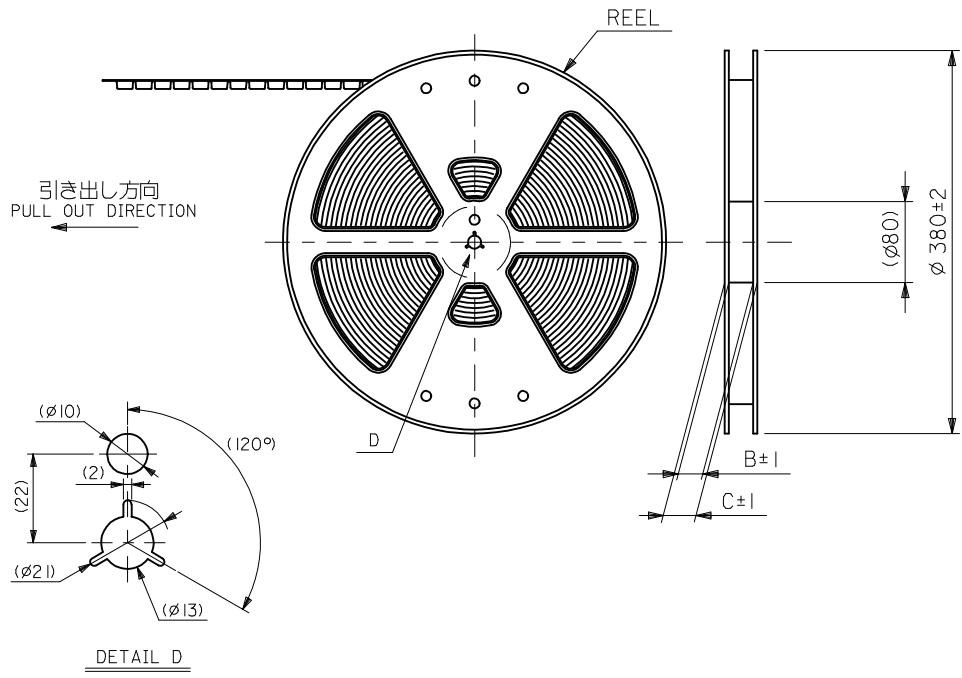
REVISED EC NO: J2010-2586 DRWN: YON002 2010/06/24 CHK'D: S. MARUYAMA 2010/06/29 APPR: MSASAO 2010/06/29	GENERAL TOLERANCES (UNLESS SPECIFIED)		DIMENSION STYLE	SCALE	CONNECTOR SERIES No.: 51338-***9	
			MM ONLY	---	DESIGN UNITS	
					METRIC	THIRD ANGLE PROJECTION
DESCRIPTION REV: B	10 UNDER	± 0.2	DRAWN BY	DATE	TITLE	
	10 OVER 30 UNDER	± 0.25	Y. NUKANOBU	2010/01/25	0.4 B-TO-B REC ASSY HGT=1.5 J-BEND TAIL	
	30 OVER	± 0.3	S. MARUYAMA	2010/01/25		
	ANGULAR ± 3 °		APPROVED BY	DATE	MATERIAL NO.	DOCUMENT NO.
DRAFT WHERE APPLICABLE MUST REMAIN WITHIN DIMENSIONS		M. SASAO	2010/01/25	SEE SHEET 1	SD-51338-005	
		SIZE	THIS DRAWING CONTAINS INFORMATION THAT IS PROPRIETARY TO MOLEX INCORPORATED AND SHOULD NOT BE USED WITHOUT WRITTEN PERMISSION			
		A3				

NOTES

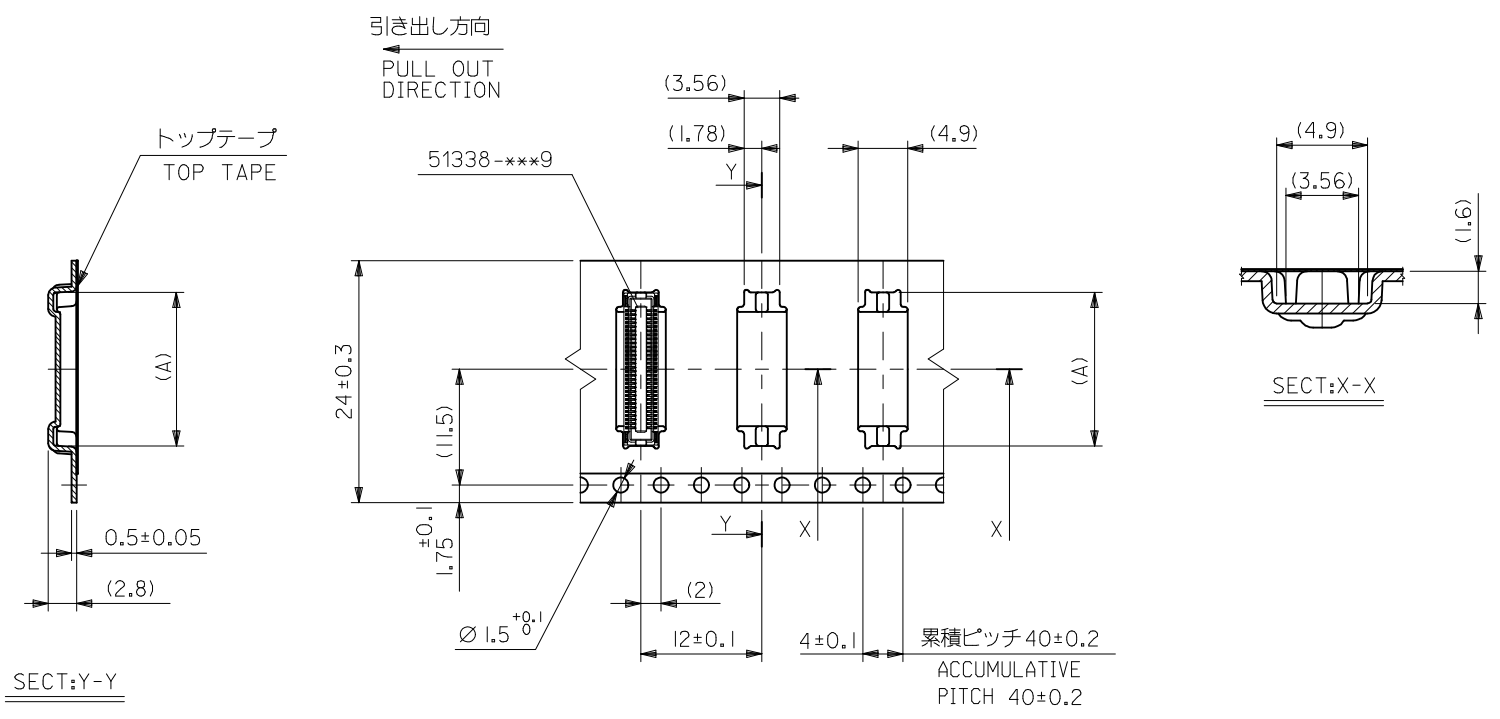
- 製品詳細寸法については、SD-51338-005 を参照下さい。
RE DETAILED DIMENSION, SEE PRODUCT DRAWING SD-51338-005.
- 梱包数量：2500個/リール
NUMBER OF CONNECTORS : 2500PCS/REEL
- リードテープ長さ LEAD TAPE LENGTH



- 4.材料
 キャリアテープ : PS
 トップテープ : PS, OTHER
 リール : PS<リサイクル材を含む>
 MATERIAL
 CARRIER TAPE : PS
 TOP TAPE : PS, OTHER
 REEL : PS <RECYCLE MATERIAL CONTAINED>
- 5.ELV 及び RoHS 適合品。
 ELV AND RoHS COMPLIANT.



REVISED EC NO: J2015-0987 DRWN:KMIYAHARA 2015/01/27 CHKD:KTANAKA03 2015/09/07 APPR:KMORIKAWA 2015/09/11	GENERAL TOLERANCES (UNLESS SPECIFIED)		DIMENSION STYLE MM ONLY		51338-**73		MODEL NO.	
	0.25 UNDER	UNDER	±0.03	DRAWN BY	DATE	SCALE ---	DESIGN UNITS METRIC	THIRD ANGLE PROJECTION
	0.25 OVER	0.5 UNDER	±0.05	YON002	2010/06/23	TITLE 0.4 B-TO-B CONN. REC HSG ASSY(HGT=1.5) EMBSTP PKG		
	0.5 OVER	1.0 UNDER	±0.1	CHECKED BY	DATE	APPROVED BY		molex
	1.0 OVER	30 UNDER	±0.2	MSASAO	2010/06/29	DATE		
30 OVER		±0.3	MATERIAL NO.		DOCUMENT NO.			
A	DESCRIPTION	ANGULAR ±3 °	SEE CHART		SD-51338-006		SHEET NO. 1 OF 2	
DRAFT WHERE APPLICABLE MUST REMAIN WITHIN DIMENSIONS			SIZE A3	THIS DRAWING CONTAINS INFORMATION THAT IS PROPRIETARY TO MOLEX INCORPORATED AND SHOULD NOT BE USED WITHOUT WRITTEN PERMISSION				



24mm幅キャリアテープ
24mm WIDTH CARRIER TAPE

注記) 製品がポケット内に問題なく納まること。
NOTE. Pocket should contain product smoothly.

24	29.4	25.4	16.06	51338-6473	64
			14.06	51338-5473	54
			12.06	51338-4473	44
			5.26	51338-9873	10
キャリアテープ幅 CARRIER TAPE WIDTH	C	B	(A)	オーダー番号 ORDER NO.	極数 CIRCUITS

REVISED EC NO.: J2015-0987 DRW:KMIYAHARA 2015/01/27 CHK:D:KANAKA03 2015/09/07 APPR:KMORIKAWA 2015/09/11 A	DESCRIPTION	GENERAL TOLERANCES (UNLESS SPECIFIED)	DIMENSION STYLE	SCALE	DESIGN UNITS	MODEL NO.
		0.25 UNDER UNDER ±0.03	MM ONLY	---	METRIC	51338-***73
		0.25 OVER 0.5 UNDER ±0.05	DRAWN BY DATE	TITLE	THIRD ANGLE PROJECTION	
		0.5 OVER 1.0 UNDER ±0.1	YON002 2010/06/23	0.4 B-TO-B CONN. REC HSG ASSY(HGT=1.5) EMBSTP PKG		
		1.0 OVER 10 UNDER ±0.2	CHECKED BY DATE	SEE CHART		
		10 OVER 30 UNDER ±0.25	APPROVED BY DATE	SD-51338-006		
	30 OVER ±0.3	MSASAO 2010/06/29	DOCUMENT NO.			
	ANGULAR ±3 °	MATERIAL NO.	SHEET NO.			
	DRAFT WHERE APPLICABLE MUST REMAIN WITHIN DIMENSIONS	SIZE	THIS DRAWING CONTAINS INFORMATION THAT IS PROPRIETARY TO MOLEX INCORPORATED AND SHOULD NOT BE USED WITHOUT WRITTEN PERMISSION			
		A3	2 OF 2			