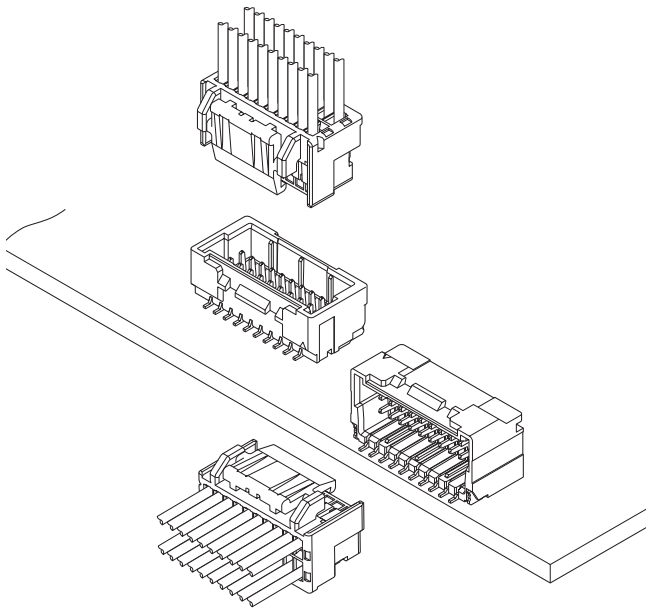


NSHD CONNECTOR



1.0mm pitch/Disconnectable Crimp style connectors



In 1.0 mm pitch and dual-row secure lock type connector, this NSHD connector realizes a top grade of a space saving in the industry and supports a high densification of equipment.

- **Excellent mounting and dismounting workability of socket**
- **Adopting large lock in consideration of unlocking and withstanding external force**
- **Various lineups of circuits**
- **An existing crimping applicator is available.**

Specifications

- Current rating: 1.0 A AC, DC (AWG #28)
- Voltage rating: 50 V AC, DC
- Temperature range: -25°C to +85°C
(including temperature rise in applying electrical current)
- Contact resistance: Initial value/ 20 mΩ max.
After environmental tests/ 40 mΩ max.
- Insulation resistance: 100 MΩ min.
- Withstanding voltage: 500 VAC/minute
- Applicable wire: Conductor size/ AWG #32 to #28
Insulation O.D./ 0.4 to 0.8 mm

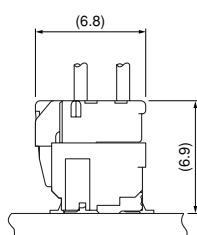
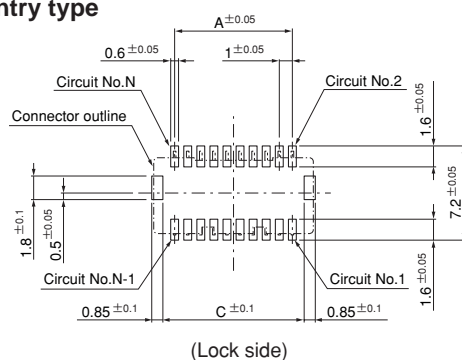
* Refer to "General Instruction and Notice when using Terminals and Connectors" at the end of this catalog.

* Contact JST for details.

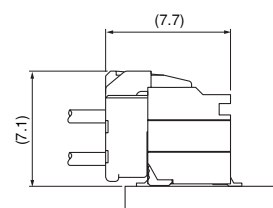
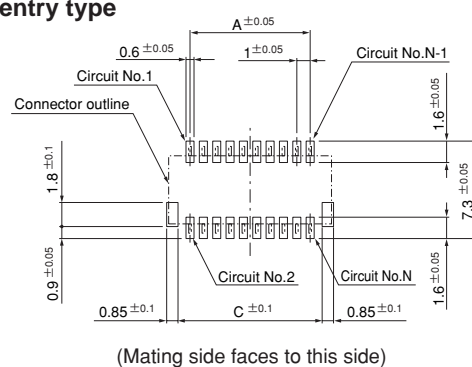
* Compliant with RoHS.

PC board layout and Assembly layout

Top entry type



Side entry type

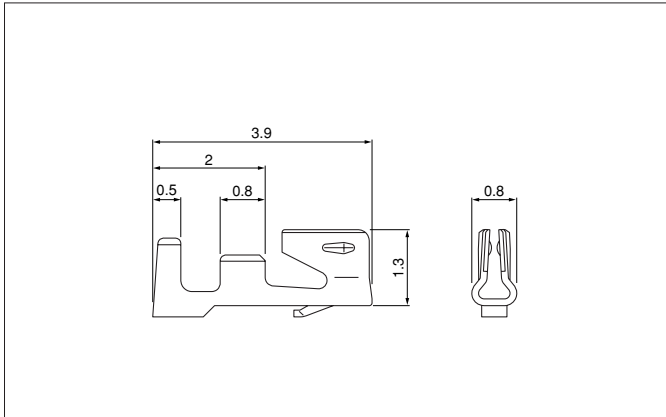


Note: 1. The above figure is the figure viewed from the connector mounting side.

2. Tolerances are non-cumulative: ± 0.05 mm for all centers. The dimensions above should serve as a guideline. Contact JST for details.

NSHD CONNECTOR

Contact



| Model No. | Applicable wire | | Insulation O.D. (mm) | Q'ty/reel |
|------------------------|-----------------|-------|----------------------|-----------|
| | mm ² | AWG# | | |
| SNSHD-003T-P0.2 | 0.032~0.08 | 32~28 | 0.4~0.8 | 23,000 |

Material and Finish

Copper alloy, tin-plated (reflow treatment)

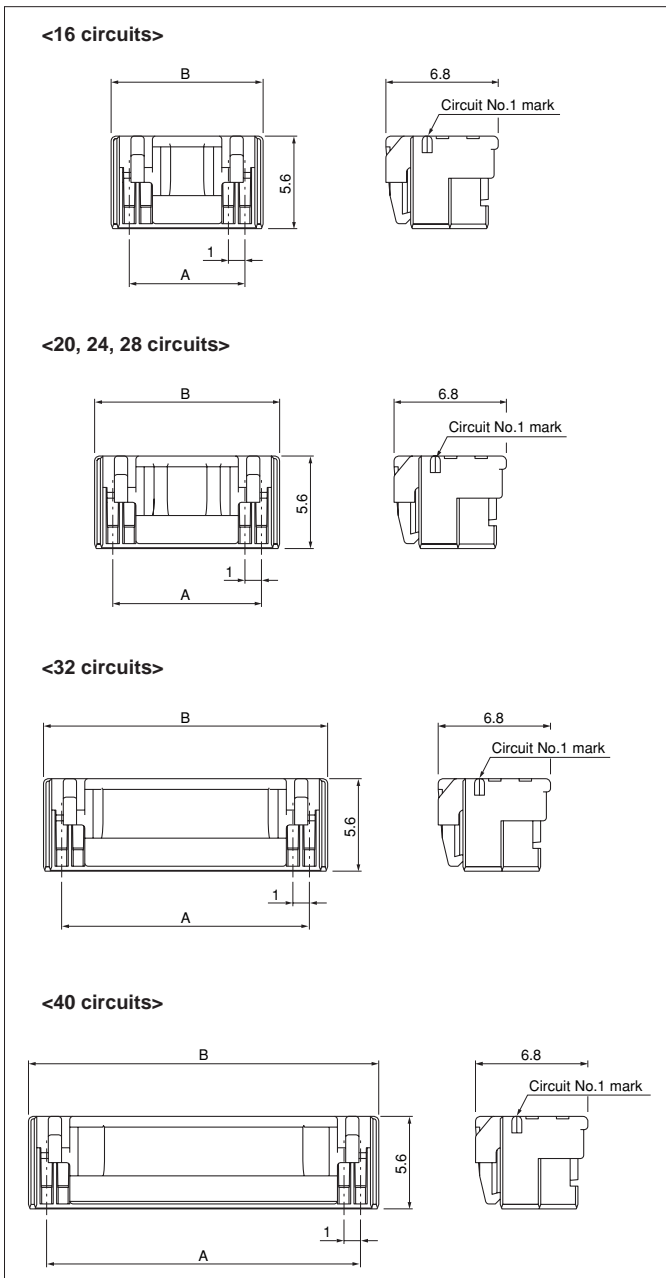
RoHS compliance

| Contact | Crimping machine | Applicator | | |
|------------------------|------------------|------------------|-----------------|----------------------------|
| | | Crimp applicator | Dies | Crimp applicator with dies |
| SNSHD-003T-P0.2 | AP-K2N | MKS-L-10-3 | MK/SSH/L-003-02 | APLMK SSH/L003-02 |
| | | *MKS-SC | SC/SSH/L-003-02 | APLSC SSH/L003-02 |

Note: *Strip-crimp applicator

Contact JST for applicable wires in case that it is not usable due to wire size.

Housing



| Circuits | Model No. | Dimensions (mm) | | Q'ty/bag |
|----------|----------------------|-----------------|------|----------|
| | | A | B | |
| 16 | NSHDR-16V-Z | 7.0 | 9.2 | 2,500 |
| 20 | NSHDR-20V-Z | 9.0 | 11.2 | 2,000 |
| 24 | NSHDR-24V-Z | 11.0 | 13.2 | 1,500 |
| 28 | NSHDR-28V-Z | 13.0 | 15.2 | 1,000 |
| 32 | NSHDR-32V-1-Z | 15.0 | 17.2 | 1,000 |
| 40 | NSHDR-40V-1-Z | 19.0 | 21.2 | 900 |

Material

PBT, UL94V-0, ivory

RoHS compliance

<For reference> As the color identification, the following alphabet shall be put in the underlined part. For availability, delivery and minimum order quantity, contact JST.

ex. **NSHDR-16V-Z**

Z...ivory TR...tomato red E...blue MG...moss green

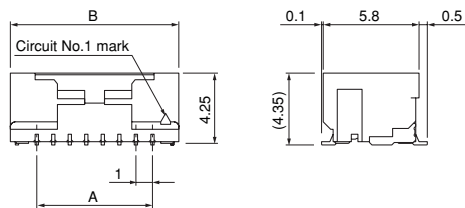
DPK...dark pink

NSHD CONNECTOR

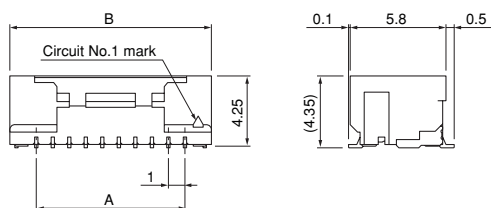
Shrouded header

Top entry type

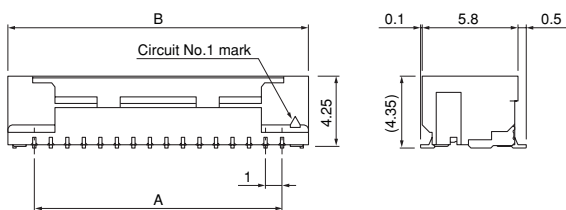
<16 circuits>



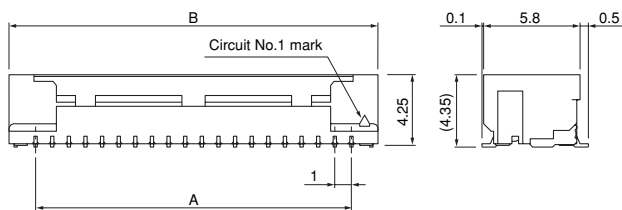
<20, 24, 28 circuits>



<32 circuits>

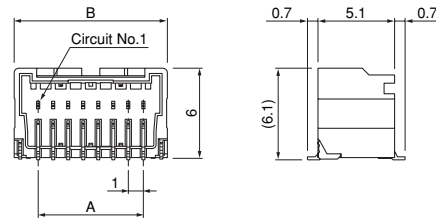


<40 circuits>

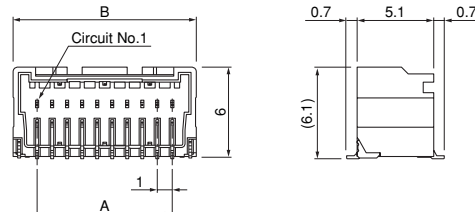


Side entry type

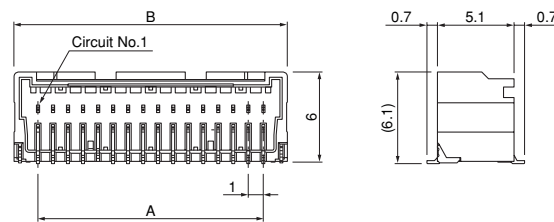
<16 circuits>



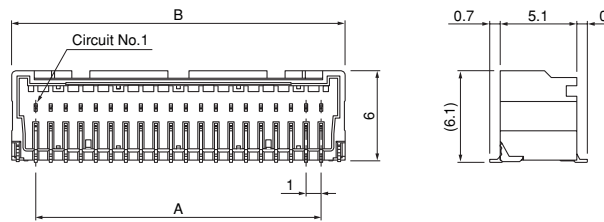
<20, 24, 28 circuits>



<32 circuits>



<40 circuits>



Top entry type

| Circuits | Model No. | Dimensions (mm) | | | Q'ty/ reel |
|----------|---------------------------|-----------------|------|------|---------------|
| | | A | B | C | |
| 16 | BM16B-NSHDZS-TFT | 7.0 | 10.2 | 8.8 | 1,600 |
| 20 | BM20B-NSHDZS-TFT | 9.0 | 12.2 | 10.8 | 1,600 |
| 24 | BM24B-NSHDZS-TFT | 11.0 | 14.2 | 12.8 | 1,600 |
| 28 | BM28B-NSHDZS-TFT | 13.0 | 16.2 | 14.8 | 1,600 |
| 32 | BM32B-NSHDZS-1-TFT | 15.0 | 18.2 | 16.8 | 1,600 |
| 40 | BM40B-NSHDZS-1-TFT | 19.0 | 22.2 | 20.8 | 1,600 |

Material and Finish

Contact: Copper alloy, copper-undercoated, tin-plated (reflow treatment)
Header: Polyamide resin, UL94V-0, ivory
Reinforcing tab: Copper alloy, copper-undercoated, tin-plated (reflow treatment)

RoHS compliance

Note: These products listed above are supplied on embossed-tape.

<For reference> As the color identification, the following alphabet shall be put in the underlined part. For availability, delivery and minimum order quantity, contact JST.

ex. **BM16B-NSHDZS-TFT**

Z...ivory TR...tomato red E...blue MG...moss green
DPK...dark pink

Side entry type

| Circuits | Model No. | Dimensions (mm) | | | Q'ty/ reel |
|----------|--------------------------|-----------------|------|------|---------------|
| | | A | B | C | |
| 16 | SM16B-NSHDZS-TF | 7.0 | 10.2 | 8.8 | 1,000 |
| 20 | SM20B-NSHDZS-TF | 9.0 | 12.2 | 10.8 | 1,000 |
| 24 | SM24B-NSHDZS-TF | 11.0 | 14.2 | 12.8 | 1,000 |
| 28 | SM28B-NSHDZS-TF | 13.0 | 16.2 | 14.8 | 1,000 |
| 32 | SM32B-NSHDZS-1-TF | 15.0 | 18.2 | 16.8 | 1,000 |
| 40 | SM40B-NSHDZS-1-TF | 19.0 | 22.2 | 20.8 | 1,000 |

Material and Finish

Contact: Copper alloy, copper-undercoated, tin-plated (reflow treatment)
Header: Polyamide resin, UL94V-0, ivory
Reinforcing tab: Copper alloy, copper-undercoated, tin-plated (reflow treatment)

RoHS compliance

Note: These products listed above are supplied on embossed-tape.

<For reference> As the color identification, the following alphabet shall be put in the underlined part. For availability, delivery and minimum order quantity, contact JST.

ex. **SM16B-NSHDZS-TF**

Z...ivory TR...tomato red E...blue MG...moss green
DPK...dark pink