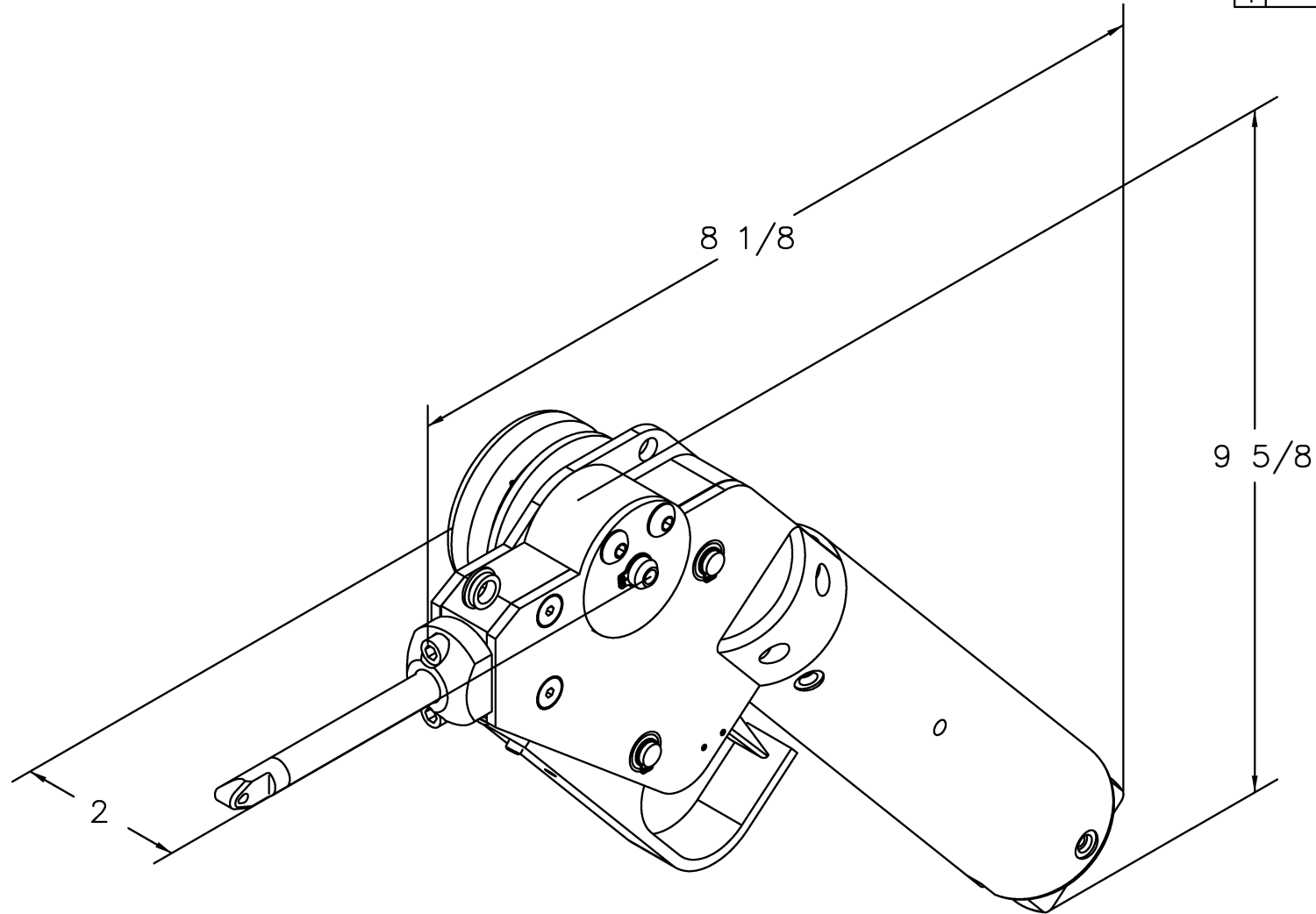


REVISIONS				
REV. SYM.	E.C.O. NUMBER	DESCRIPTION	BY DATE	APP'D DATE
1		ORIGINAL RELEASE	JRJ 8/11/03	RRR 8/11/03



**UNCONTROLLED DOCUMENT
WILL NOT BE UPDATED**

RESTRICTED & CONFIDENTIAL		MATERIAL		ITEM		PART NO.		QTY.		DESCRIPTION/REMARKS			
<small>CONFIDENTIAL PROPERTY OF DANIELS MANUFACTURING CORP. NOT TO BE DISCLOSED TO OTHERS, REPRODUCED OR USED FOR ANY OTHER PURPOSE, EXCEPT AS AUTHORIZED IN WRITING BY DANIELS MANUFACTURING. MUST BE RETURNED TO DANIELS MANUFACTURING CORP. ON COMPLETION OF ORDER OR OTHER PURPOSE FOR WHICH LENT.</small>		<small>HEAT TREAT</small>		<small>DRW. DATE</small> J. JOYCE 8/11/03		<small>DATE</small> RRR 8/11/03		DANIELS MANUFACTURING CORP. ORLANDO, FLORIDA CASE 11851		TITLE PNEUMATIC ROTARY SAFE-T-CABLE APPLICATION TOOL .032 3" NOSE			
				<small>APP'D. DATE</small> APP'D.		<small>DATE</small> DATE							
				<small>NOTE:</small> THIS DRAWING IS AN OUTLINE DRAWING OF THE RESPECTIVE DMC PART NUMBER INDICATED. ACTUAL DMC PART NUMBER IS DRAWING NUMBER WITHOUT THE "-ENV" SUFFIX.		<small>WHERE USED:</small> SIZE SCALE CAD P/N C NTS SCTPR323-ENV						<small>SHEET OF</small> 1 1	
				<small>DO NOT SCALE DRAWING</small>		<small>POSTING</small>						<small>DWG. NO.</small> SCTPR323-ENV	

Mouser Electronics

Authorized Distributor

Click to View Pricing, Inventory, Delivery & Lifecycle Information:

[Daniels Manufacturing:](#)

[SCTPR323](#)