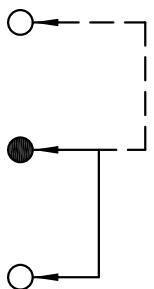


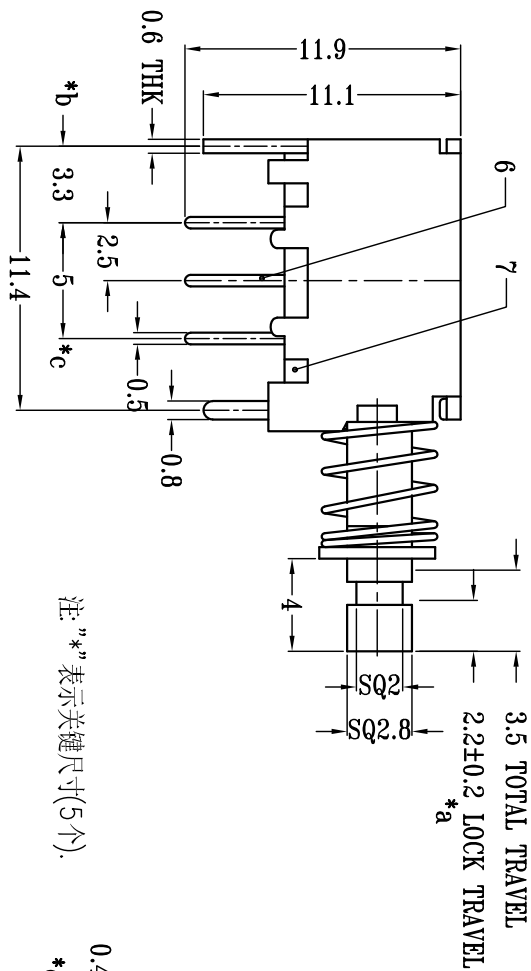
P.C.B LAYOUT  
BOTTOM VIEW

SCHEMATIC (NON-SHORTING)

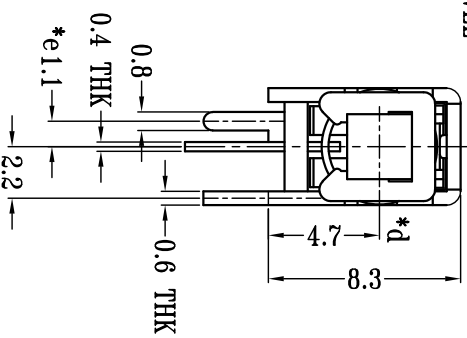


PUSH SWITCH  
G-Switch P/N  
**PS-12E051XX**

- N=NO LOCK
- L=LOCK
- A=黑色
- B=红色
- C=蓝色
- D=其它



注：“\*”表示关键尺寸(5个).



G-Switch Specification:  
 Operating temperature range: -30°C to +85°C  
 Rating: 50mA, 12V DC  
 Insulation resistance: 100MΩ min. 100V DC  
 Dielectric strength: 250V AC for 1 min  
 Contact resistance: 30mΩ max.  
 Switch Life: 10000 cycles min



**G-Switch Electronic (HongKong) CO., Ltd.**

Unless otherwise specified, Tolerance:  
 #0.30  
 #0.20  
 #0.15  
 #0.10  
 #±3  
 Angles

DESIGN	Bright Lee	DATE	2016.05.29	Mold code:	
CHECKED		DATE		PS-12E051XX	
APPROVED		DATE			
http://www.dg-switch.com				REV: X1	SCALE: 4:1
TEL: 0769-82388879				SIZE: A4	SHEET: 1/1



**RoHS**  
Compliant  
2002/95/EC

