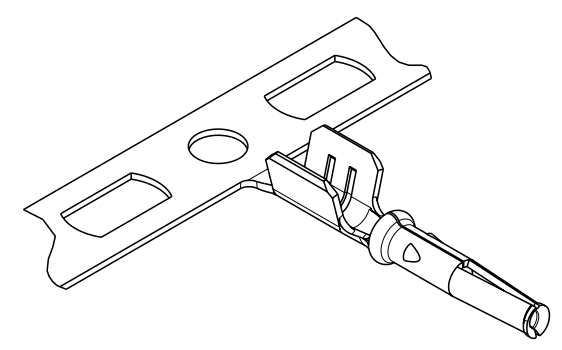
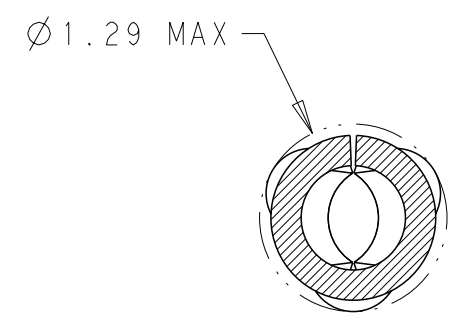
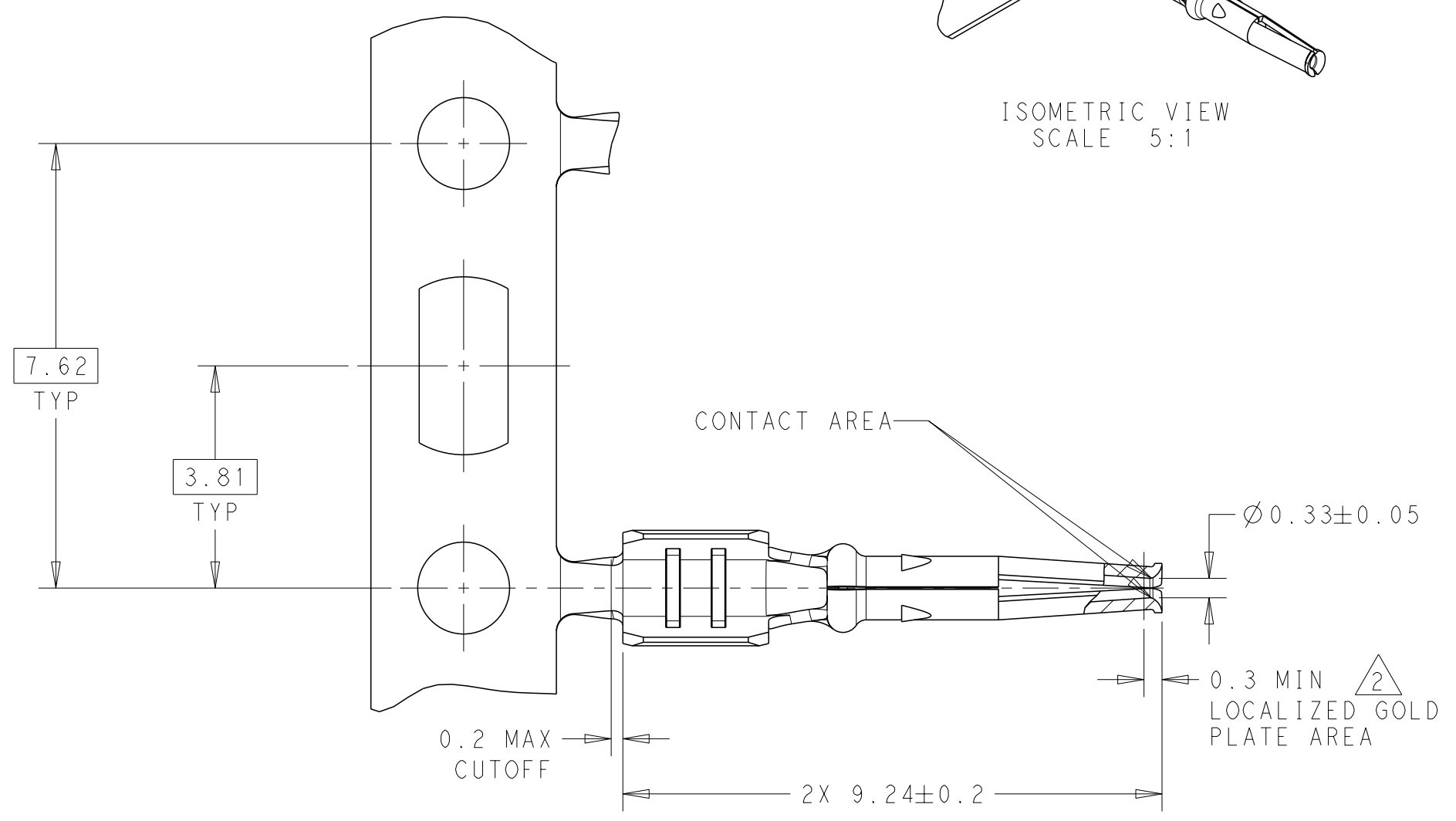


THIS DRAWING IS UNPUBLISHED. RELEASED FOR PUBLICATION 2012  
 © COPYRIGHT 2012 BY TE CONNECTIVITY ALL RIGHTS RESERVED.

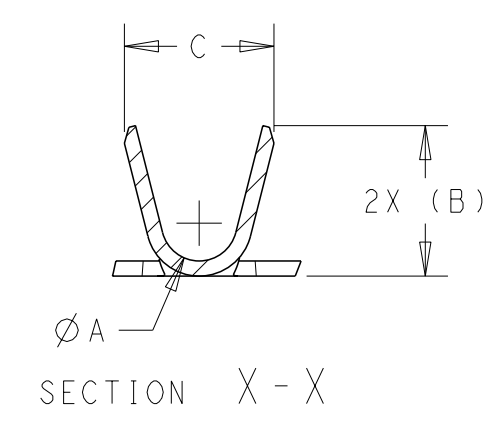
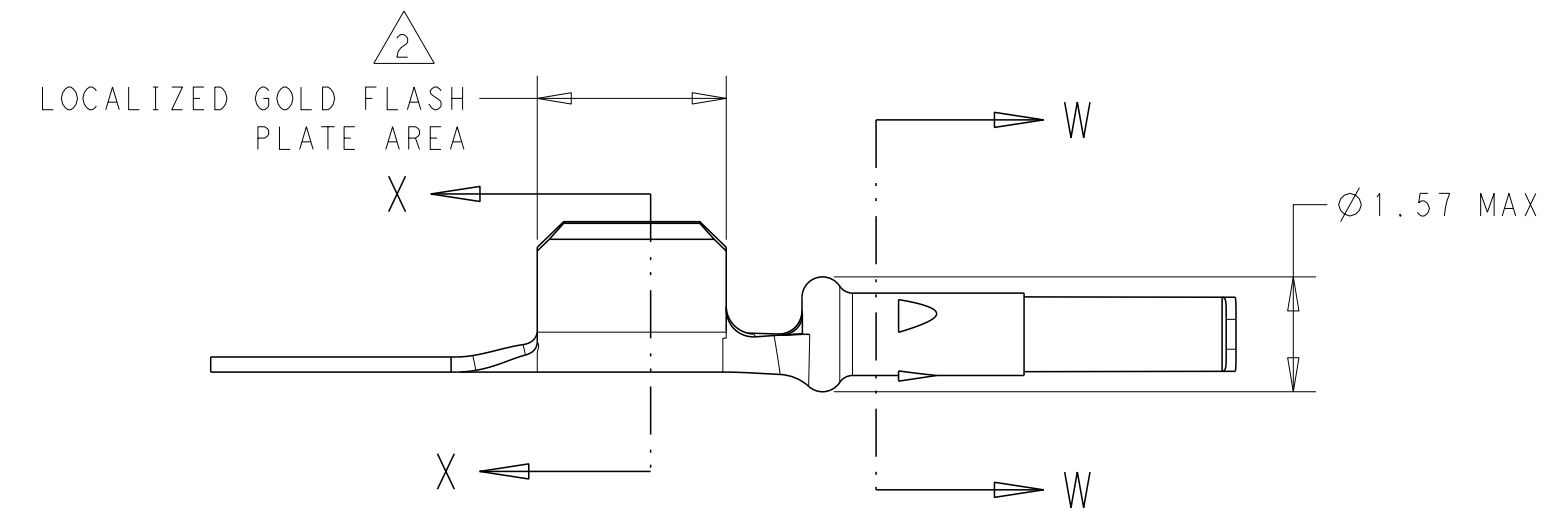
LOC	DIST	REVISIONS			
P	LTR	DESCRIPTION	DATE	DWN	APVD
		A4	ECO-13-005286	28MAR2013	KP LV
		B	ECO-19-005931	05JUN2020	KP MB



ISOMETRIC VIEW  
SCALE 5:1

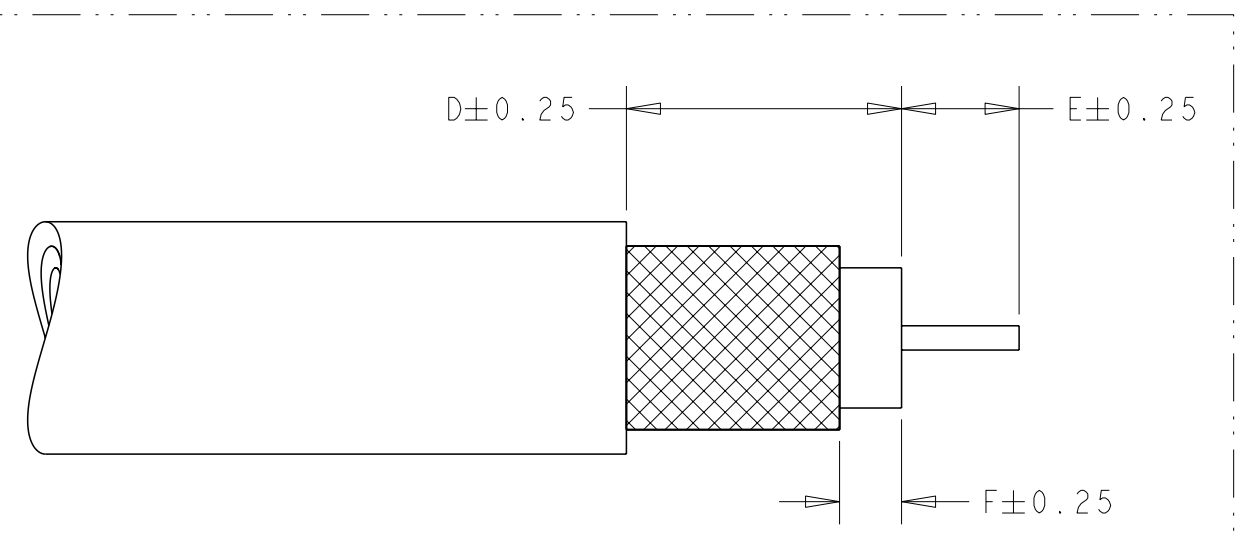


SECTION W-W  
SCALE 20:1



- 1 PHOSPHOR BRONZE.
- 2 0.38µm MIN GOLD IN LOCALIZED GOLD PLATE AREA, GOLD FLASH IN LOCALIZED GOLD FLASH PLATE AREA, BOTH OVER 2.0µm MIN NICKEL. GOLD FLASH ALLOWABLE ON ENTIRE PART.
- 3 CRIMP SOCKET CONTACT USING APPLICATOR PART NUMBER 1385456-3.
- 4 CRIMP SOCKET CONTACT USING APPLICATOR PART NUMBER 1385675-3.
- 5 CRIMP SOCKET CONTACT USING APPLICATOR PART NUMBER 680900-1 OR 1385623-3-A.
- 6 CRIMP SOCKET CONTACT USING APPLICATOR PART NUMBER 680901-1 OR 1385624-3.
- 7. SOCKET CONTACT WILL ACCEPT COAXIAL CABLE: SEE TABLE.

1.64	3.11	7.28	1.30	1.22	0.38	RG-179	6	2203232-6
1.20	3.55	6.84	1.30	1.22	0.38	RG-62U/M, RG-71U/M	6	
1.20	3.55	6.84	2.03	1.73	0.76	RG-62, RG-71	5	2203232-4
1.64	3.11	7.28	2.03	1.73	0.76	RG-59, 59 MINI	5	
1.64	3.11	7.28	2.03	1.73	0.76	RG-174 LL, 1.5D-2VS	4	
1.64	3.11	7.28	2.03	1.73	0.76	RG-174	4	2203232-2
1.64	3.11	7.28	1.98	1.99	1.00	RTK031	5	
1.64	3.11	7.28	1.98	1.99	1.00	RG-58, RG-58 LL	3	
F	E	D	C	B	A	APPLICABLE CABLE SIZE		PART NUMBER



RECOMMENDED STRIP LENGTH DIMENSIONS  
SCALE: NTS

THIS DRAWING IS A CONTROLLED DOCUMENT.

DWN: K. PETERSON 26 JUN 2012  
 CHK: L. VARSIK 26 JUN 2012  
 APVD: L. VARSIK 26 JUN 2012

**STE** TE Connectivity

NAME: SOCKET CONTACT, PLUG, SMB

PRODUCT SPEC: -  
 APPLICATION SPEC: 114-13157

SIZE: A2 CAGE CODE: 00779 DRAWING NO: C-2203232 RESTRICTED TO: -

MATERIAL: 1 - FINISH: 2 -

Customer Drawing SCALE: 10:1 SHEET 1 OF 1 REV B