

# 10EJHS1 ✓ ACTIVE

Corcom | Corcom EJM

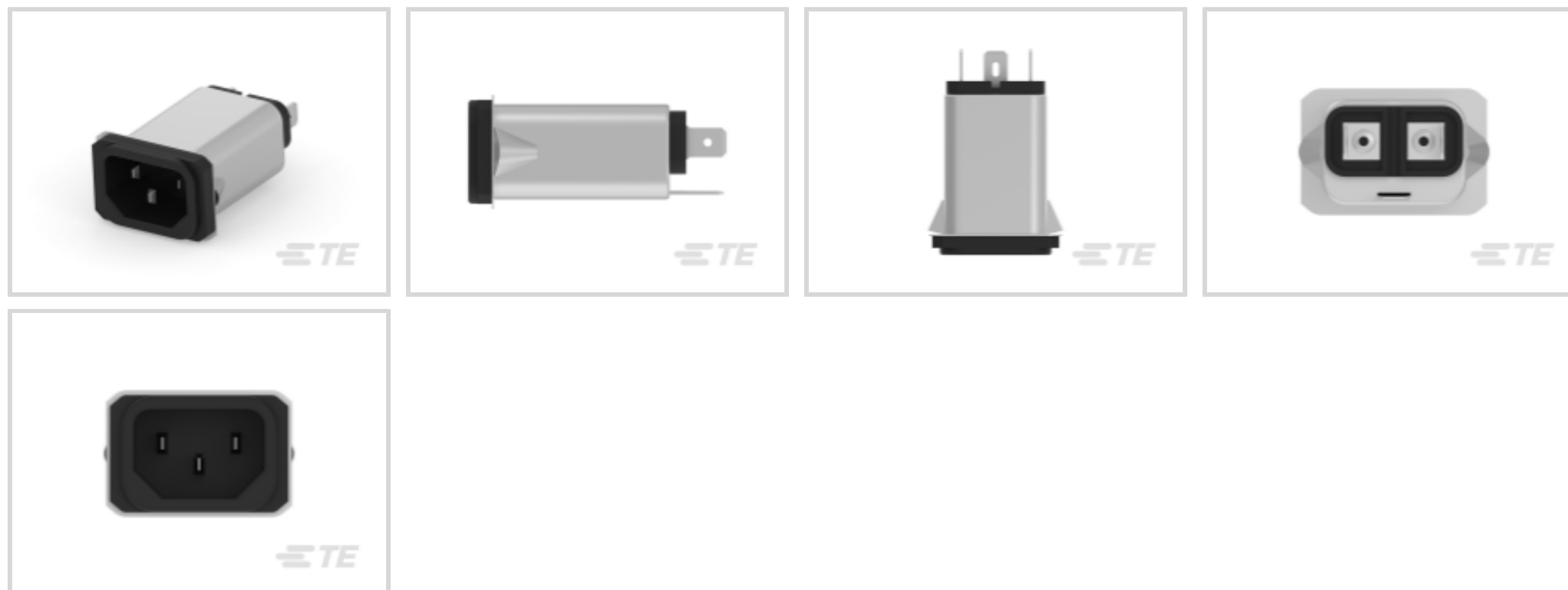
TE Internal #: 1-6609008-9

Power Line, Right Angle, 10A Current Rating, .250" FASTON  
Output, Operating Voltage 250 VAC, Filtered, Corcom EJM, Multi-  
Function Inlet Filters

[View on TE.com >](#)



EMI & EMC Solutions > EMI Filters > Multi-Function Inlet Filters > IEC Filtered Inlets, Corcom EJM Series



Filter Type: **Power Line**

Product Orientation: **Right Angle**

Leakage Current (Max) (120VAC, 60Hz): **2  $\mu$ A**

Leakage Current (Max) (250VAC, 50Hz): **5  $\mu$ A**

Current Rating: **10 A**

[All IEC Filtered Inlets, Corcom EJM Series \(17\)](#)

## Features

### Product Type Features

Ground Choke Option	No
Filter Type	Power Line
Output Termination Type	.250" FASTON
Filtering Requirements	Filtered
Filter Connector Type	IEC 320/C-14

### Electrical Characteristics

Leakage Current (Max) (120VAC, 60Hz)	2 $\mu$ A
Leakage Current (Max) (250VAC, 50Hz)	5 $\mu$ A
Current Rating	10 A
Operating Voltage	250 VAC

### Body Features

Product Orientation	Right Angle
---------------------	-------------

### Mechanical Attachment

Panel Mount Feature Type	Snap-In
--------------------------	---------

### Usage Conditions

Operating Temperature Range	-10 – 40 °C
-----------------------------	-------------

### Product Compliance

[For compliance documentation, visit the product page on TE.com>](#)

EU RoHS Directive 2011/65/EU	Compliant
EU ELV Directive 2000/53/EC	Compliant
China RoHS 2 Directive MIIT Order No 32, 2016	No Restricted Materials Above Threshold
EU REACH Regulation (EC) No. 1907/2006	Current ECHA Candidate List: JUNE 2024 (241) Candidate List Declared Against: JUNE 2024 (241) Does not contain REACH SVHC
Halogen Content	Not Low Halogen - contains Br or Cl > 900 ppm.
Solder Process Capability	Not applicable for solder process capability

#### Product Compliance Disclaimer

This information is provided based on reasonable inquiry of our suppliers and represents our current actual knowledge based on the information they provided. This information is subject to change. The part numbers that TE has identified as EU RoHS compliant have a maximum concentration of 0.1% by weight in homogenous materials for lead, hexavalent chromium, mercury, PBB, PBDE, DBP, BBP, DEHP, DIBP, and 0.01% for cadmium, or qualify for an exemption to these limits as defined in the Annexes of Directive 2011/65/EU (RoHS2). Finished electrical and electronic equipment products will be CE marked as required by Directive 2011/65/EU. Components may not be CE marked. Additionally, the part numbers that TE has identified as EU ELV compliant have a maximum concentration of 0.1% by weight in homogenous materials for lead, hexavalent chromium, and mercury, and 0.01% for cadmium, or qualify for an exemption to these limits as defined in the Annexes of Directive 2000/53/EC (ELV). Regarding the REACH Regulation, the information TE provides on SVHC in articles for this part number is based on the latest European Chemicals Agency (ECHA) 'Guidance on requirements for substances in articles' posted at this URL: <https://echa.europa.eu/guidance-documents/guidance-on-reach>

### Also in the Series | Corcom EJH



[Multi-Function Inlet Filters\(17\)](#)

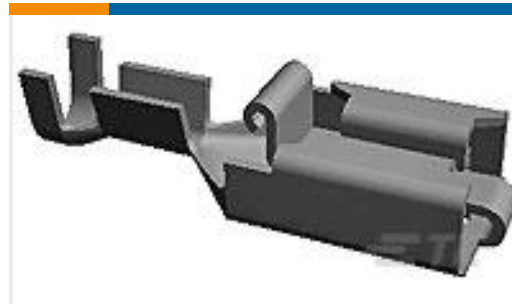
## Customers Also Bought



TE Part #1-1123722-5  
3.96 EP PLUG HSG 5P(NATURAL)



TE Part #60764-2  
250 FASTON FLAG REC 18-14 AWG  
TPBR



TE Part #1-160759-1  
250 PL MKI REC. 20-15AWG PTBR



TE Part #5-1879501-1  
CRGH2512 5% 120R 2W



TE Part #1565917-4  
EMBOSS ASSY DDR2 SODIMM  
SOCKET 200P 5.2H

## Documents

### Product Drawings

10EJHS1=F8164

English

### CAD Files

Customer View Model

[ENG\\_CVM\\_1-6609008-9\\_0.3d\\_igs.zip](#)

English

Customer View Model

[ENG\\_CVM\\_1-6609008-9\\_0.3d\\_stp.zip](#)

English

Customer View Model

[ENG\\_CVM\\_1-6609008-9\\_0.2d\\_dxf.zip](#)

English

3D PDF

English

Customer View Model

[ENG\\_CVM\\_CVM\\_1-6609008-9\\_B.3d\\_igs.zip](#)

English

Customer View Model

[ENG\\_CVM\\_CVM\\_1-6609008-9\\_B.3d\\_stp.zip](#)

English

Customer View Model

[ENG\\_CVM\\_CVM\\_1-6609008-9\\_B.2d\\_dxf.zip](#)

English



### 3D PDF

3D

By downloading the CAD file I accept and agree to the [Terms and Conditions](#) of use.

### Datasheets & Catalog Pages

[1654001\\_CORCOM\\_PRODUCT\\_GUIDE\\_EEJ\\_SERIES](#)

English

[Corcom Combined Selector Charts](#)

English

[1-1654250-1\\_CORCOM\\_EMI\\_RFI\\_QRG](#)

English