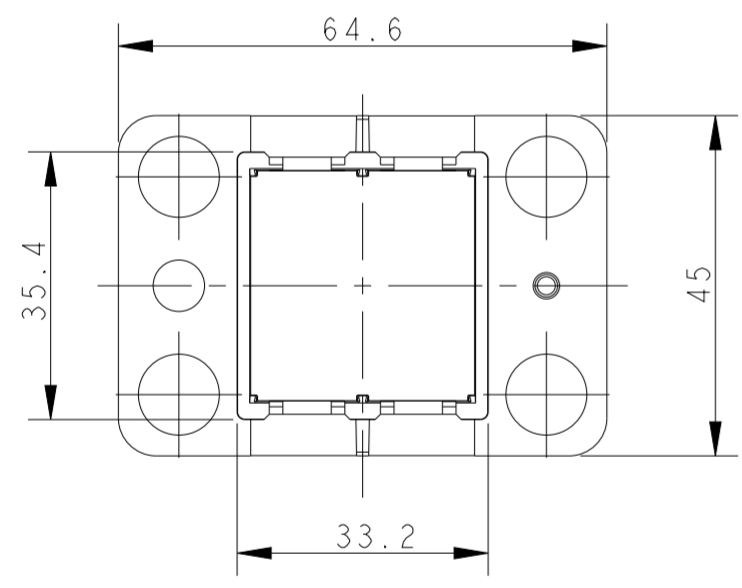
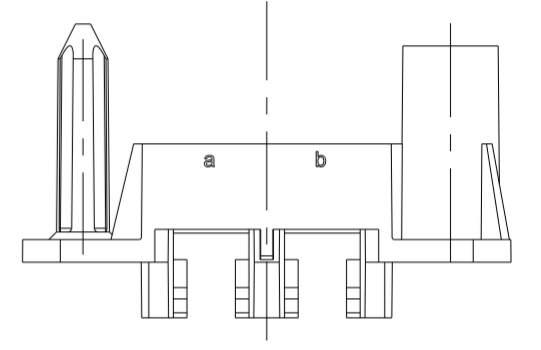
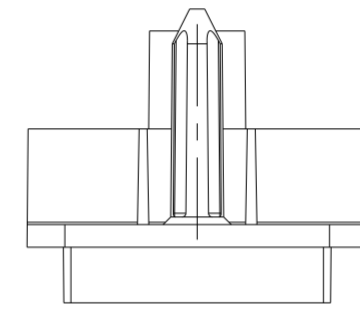
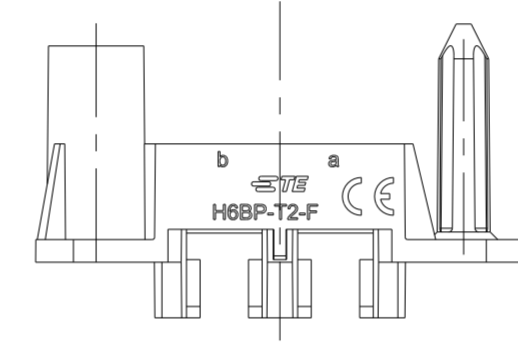
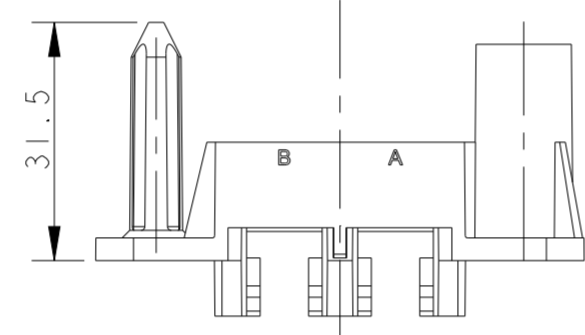
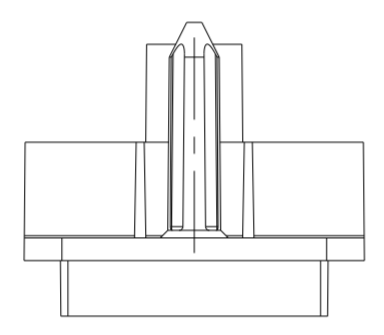
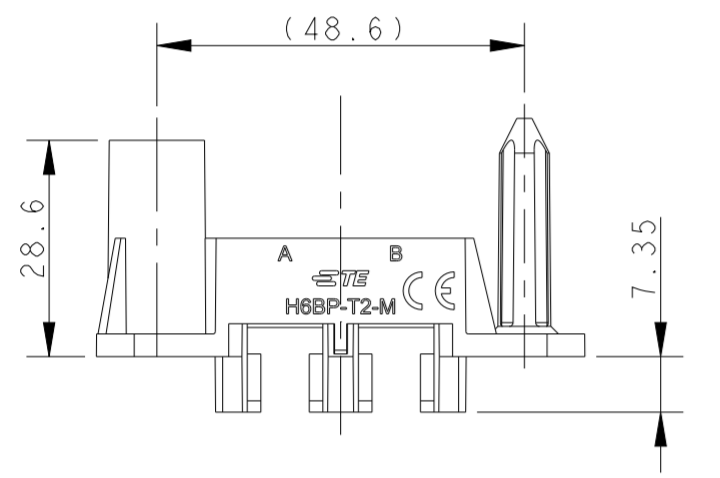
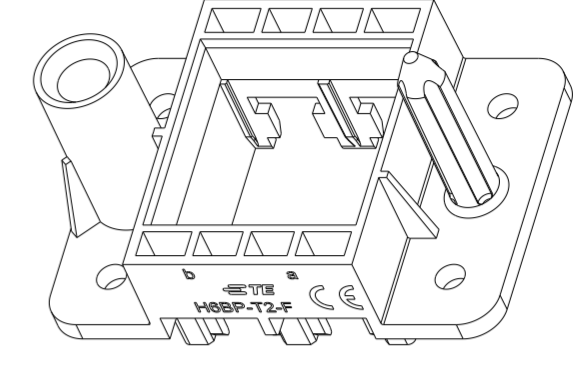
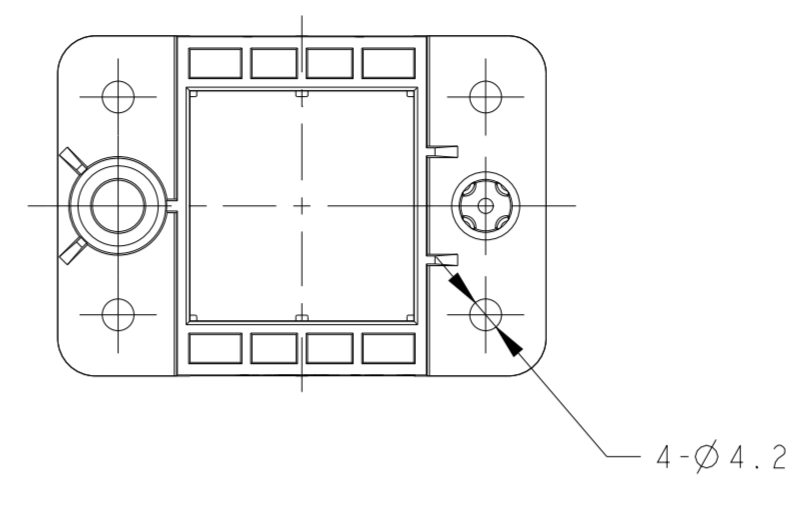
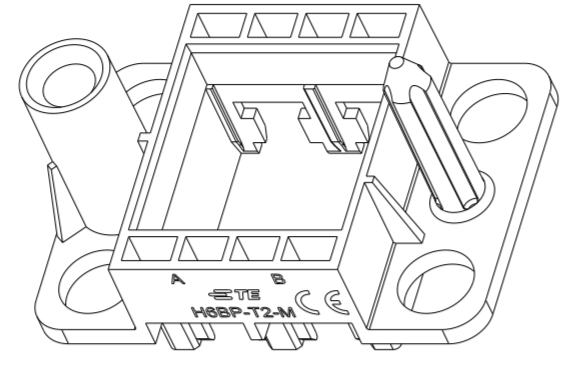
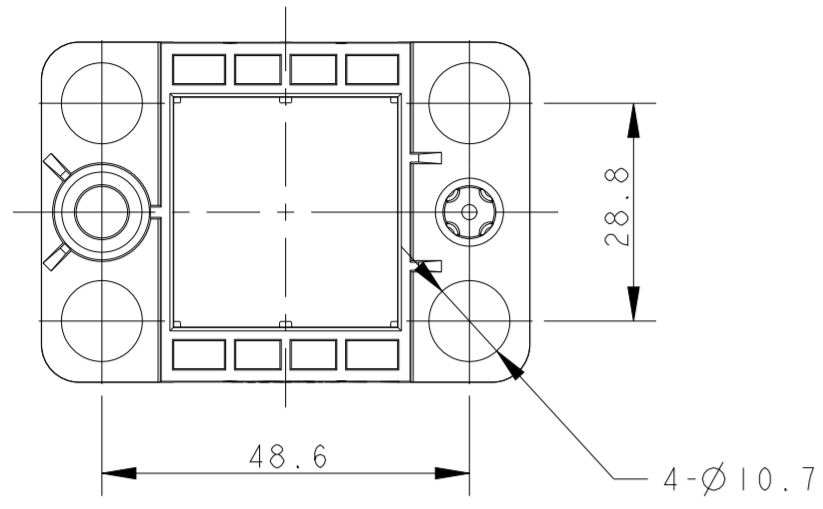


THIS DRAWING IS UNPUBLISHED. RELEASED FOR PUBLICATION
 © COPYRIGHT - BY - ALL RIGHTS RESERVED.

REVISIONS					
P	LTR	DESCRIPTION	DATE	DWN	APVD
A		INITIAL RELEASE	30DEC2015	DL	CW
B		ECR-21-122216	09DEC2021	WOR	CW

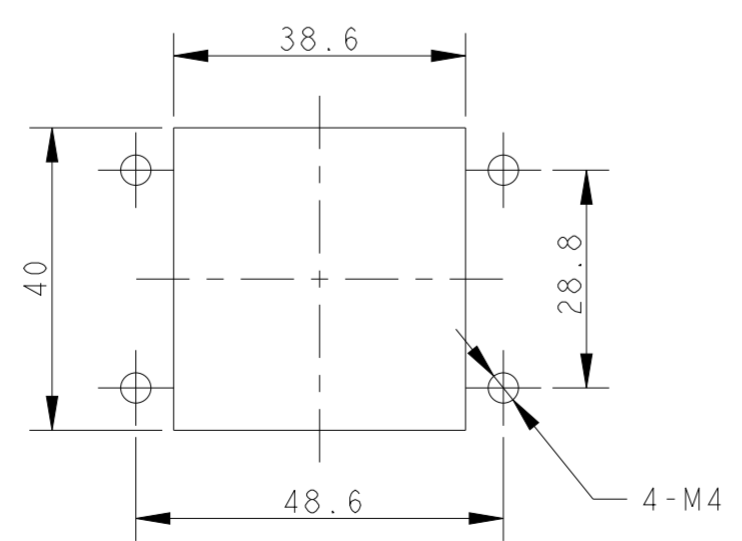


H6BP-T2-M
 T2071064101-000
 DOCKING FRAME FOR HMN INSERTS_FLOATING
 2 MODULES

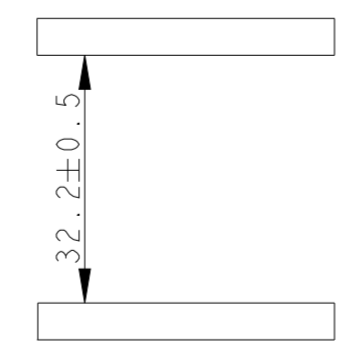
OTHER SPEC REFER TO
 PN T2071064101-000
 H6BP-T2-F
 T2071064201-000
 DOCKING FRAME FOR HMN INSERTS_FIXED
 2 MODULES

NOTES:
 1. TECHNICAL CHARACTERISTICS:
 INSULATION MATERIAL: PC
 FLAMMABILITY: UL94V-0
 MATING CYCLES: 500

注释:
 1. 技术参数:
 绝缘材料: PC
 阻燃等级: UL94V-0
 插拔次数: 500次



PANEL CUT OUT



SPACING OF TWO PANELS
 AT CLOSE STATUS

T2071064201-000	H6BP-T2-F DOCKING FRAME FOR HMN INSERTS_FIXED HMN 塑胶框架_固定端
T2071064101-000	H6BP-T2-M DOCKING FRAME FOR HMN INSERTS_FLOATING HMN 塑胶框架_浮动端
PART NUMBER 料号	PART DESCRIPTION 描述

THIS DRAWING IS A CONTROLLED DOCUMENT.		DWN DAVID LI 30DEC2015	TE Connectivity	
DIMENSIONS: mm		CHK CHRIS WANG 30DEC2015		
TOLERANCES UNLESS OTHERWISE SPECIFIED:		APVD XU XIANG 30DEC2015	NAME H6BP-T2-M/F	
0 PLC ±	1 PLC ±	PRODUCT SPEC 108-137168	DOCKING FRAME FOR HMN INSERTS	
2 PLC ±	3 PLC ±	APPLICATION SPEC 114-137168	2 MODULES	
4 PLC ±	ANGLES ±	WEIGHT -	SIZE A2	CAGE CODE -
FINISH -	-	CUSTOMER DRAWING	DRAWING NO. C-T2071064X01000	RESTRICTED TO
		SCALE 1:1	SHEET OF	REV B