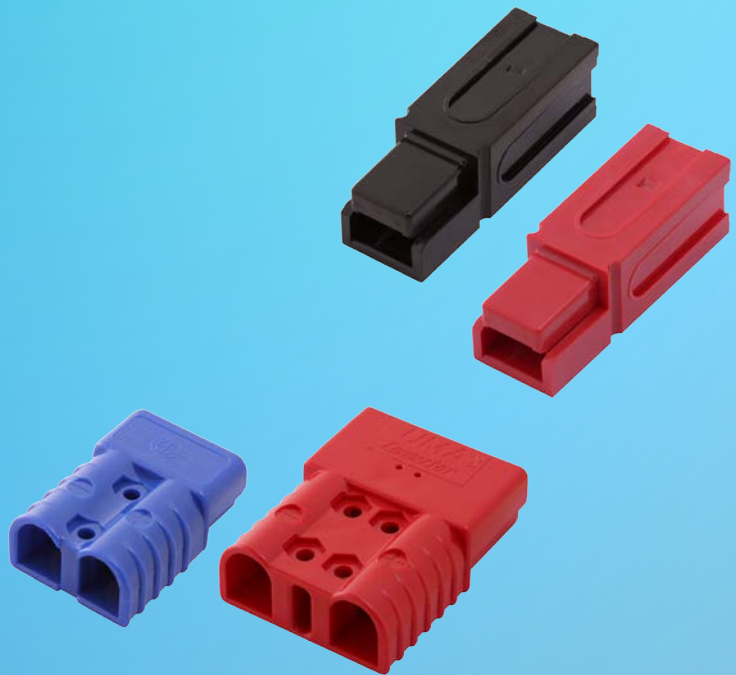


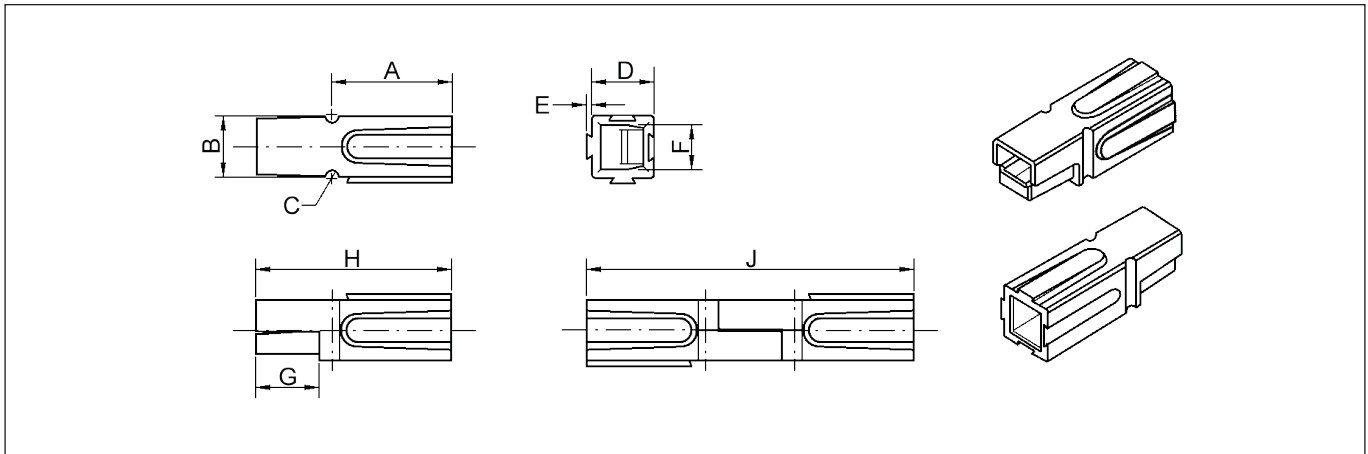
**Flat pin Connectors** 



## Flat pin Connector Series

### TECHNICAL SPECIFICATIONS

Housing:	Polycarbonate
Contacts:	Copper
Contact Plating:	Silver
Spring:	Stainless Steel
Flammability Rating:	UL94 V-0
Operating Temperature Range:	-20°C to 105°C
Insulation Withstanding Test:	2200 VDC
Vibration Resistance:	Excellent
Mating Cycles:	10.000 (For disconnect use only)



Model:	A	B	C	D	E	F	G	H	J
15/30 A	14,70	8,40	1,30	7,90	0,50	5,00	8,00	24,60	41,20
75 A	29,70	16,30	2,50	16,0	1,00	11,40	14,70	48,0	81,50
120 A	42,90	22,60	2,50	22,30	1,50	15,20	22,30	69,60	117,10
180 A	54,10	28,70	2,50	28,40	1,50	23,10	25,40	82,60	139,70

### Order Codes:

15/30A	Part No:	Colour:
Housings:	1130-0100-01	Blue
	1130-0100-02	Black
	1130-0100-03	White
	1130-0100-04	Red
	1130-0100-05	Green
	1130-0100-06	Grey
Contact pins:	1130-0110-01	10-16 AWG
	1130-0110-02	16-20 AWG

75A	Part No:	Colour:
Housings:	1130-0101-01	Blue
	1130-0101-02	Black
	1130-0101-03	White
	1130-0101-04	Red
	1130-0101-05	Green
	1130-0101-06	Grey
Contact pins:	1130-0111-01	6 AWG
	1130-0111-02	10-12 AWG
	1130-0111-03	8 AWG

120A	Part No:	Colour:
Housings:	1130-0102-01	Blue
	1130-0102-02	Black
	1130-0102-03	White
	1130-0102-04	Red
	1130-0102-05	Green
	1130-0102-06	Grey
Contact pins:	1130-0112-01	2 AWG
	1130-0112-02	4 AWG
	1130-0112-03	6 AWG

180A	Part No:	Colour:
Housings:	1130-0103-01	Blue
	1130-0103-02	Black
	1130-0103-03	White
	1130-0103-04	Red
	1130-0103-05	Green
	1130-0103-06	Grey
Contact pins:	1130-0113-01	1/0 AWG
	1130-0113-02	2 AWG
	1130-0113-03	4 AWG
	1130-0113-04	1 AWG

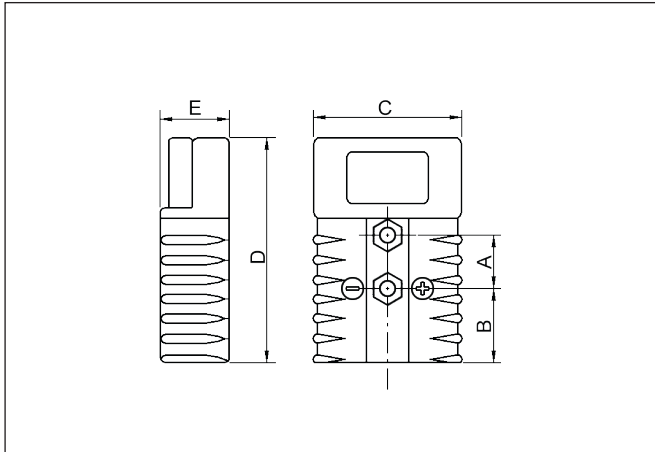
## Flat pin Connector Series

### TECHNICAL SPECIFICATIONS

Housing:	Polycarbonate
Contacts:	Copper
Contact Plating:	Silver
Spring:	Stainless Steel
Operating Temperature Range:	-20°C to 105°C



ETL Listed  
(UL 1977)



### Features:

- Recognized by Underwriters Laboratories
- Listed by Canadian Standard Association
- S50 is offered with 6mm<sup>2</sup> or 16mm<sup>2</sup> Contacts
- S175 available with 35mm<sup>2</sup> contacts on request

Model:	A	B	C	D	E
S50	19	6,5	36,5	47,5	11,5
S175	29	11	56	80	19
S350	29	35	70	108	27
U225	28,7	11	54	79,5	16,7

### Order Codes:

MODEL:	S50	
Current:	50 Amp	
Wire Size:	6mm <sup>2</sup>	16mm <sup>2</sup>
Part No:	Colour:	Voltage:
1130-0201-01	Red	24V / 6mm <sup>2</sup>
1130-0201-02	Red	24V / 16mm <sup>2</sup>
1130-0201-03	Grey	36V / 6mm <sup>2</sup>
1130-0201-04	Grey	36V / 16mm <sup>2</sup>
1130-0201-05	Black	80V / 6mm <sup>2</sup>
1130-0201-06	Black	80V / 16mm <sup>2</sup>

MODEL:	S350	
Current:	350 Amp	
Wire Size:	70mm <sup>2</sup>	AWG 2/0
Part No:	Colour:	Voltage:
1130-0221-01	Yellow	12V
1130-0221-02	Red	24V
1130-0221-03	Grey	36V
1130-0221-04	Blue	48V
1130-0221-05	Green	72V

MODEL:	S175	
Current:	175 Amp	
Wire Size:	50mm <sup>2</sup>	AWG 1/0
Part No:	Colour:	Voltage:
1130-0211-01	Yellow	12V
1130-0211-02	Orange	18V
1130-0211-03	Red	24V
1130-0211-04	Grey	36V
1130-0211-05	Blue	48V
1130-0211-06	Black	80V

MODEL:	U225	
Current:	225 Amp	
Wire Size:	70mm <sup>2</sup>	AWG 2/0
Part No:	Colour:	Voltage:
1130-0501-01	Yellow	12V
1130-0501-02	Orange	18V
1130-0501-03	Red	24V
1130-0501-04	Grey	36V
1130-0501-05	Blue	48V

**Group Head Office Sweden:**

Encitech AB  
Rörkullsvägen 4  
SE-302 41 HALMSTAD  
Sweden

Tel: +46-35-15 13 90  
Fax: +46-35-15 13 99  
web: [www.encitech.se](http://www.encitech.se)



**Sales Office Sweden:**

Encitech Connectors AB  
Rörkullsvägen 4  
SE-302 41 HALMSTAD  
Sweden

Tel: +46-35-15 13 90  
Fax: +46-35-15 13 99  
e-mail: [connectors@encitech.com](mailto:connectors@encitech.com)  
web: [www.encitech.com](http://www.encitech.com)



[www.encitech.com](http://www.encitech.com)