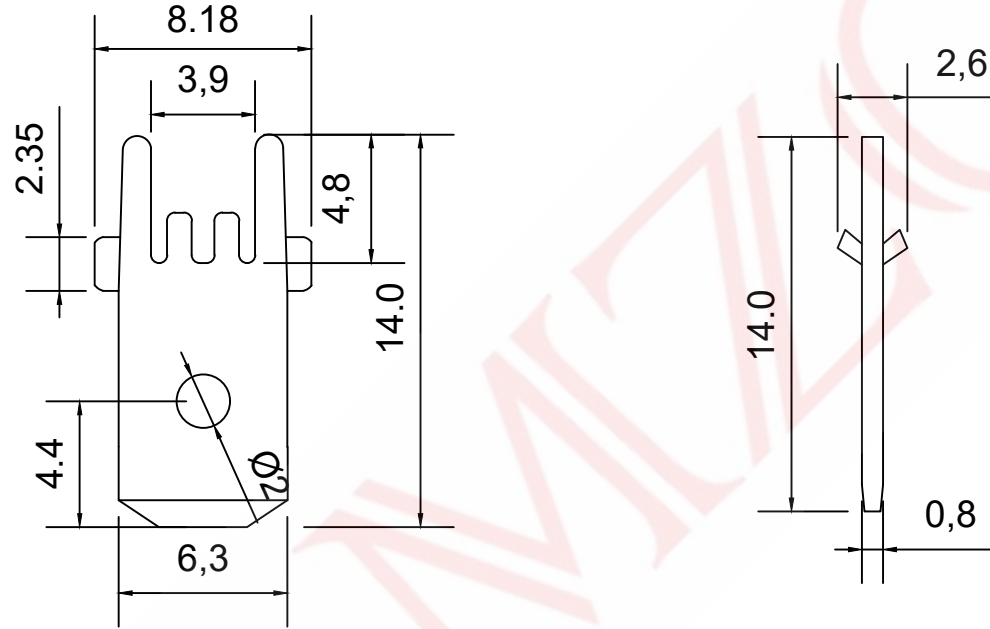


1 SAMZO 2 REAC/ROHS

REV	ECN NO	DESCRIPTION	DESIGN	APPROVAL	DATE
A1	NEW	Replace frame			2023.09.03

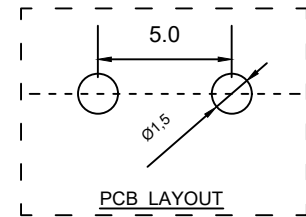


TERMINAL:

- >MATERIAL:C2680
- >THICKNESS:0.8mm
- >BAG QTY:5000PCS

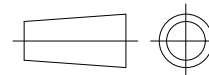
NOTE:

1. CURRENT RATING:20A MAX
2. VOLTAGE RANGE:220V AC. DC
3. TEMPERATURE RANGE:-20°C TO 105°C



ITEM	DESCRIPTION	MATERIAL	QTY	FINSH/COLOR					
A	主体	黄铜	1	镀锡					
					GENERAL TOLERANCE				
					DESIGN	WANGUIFA	2018.06.12	≥0~2<	±0.15
					CHECKED	ZHENGUILAN	2018.06.12	≥2~5<	±0.25
					APPROVED	LILIANJIANG	2018.06.14	≥0~2<	±0.15
								≥5	±0.35

FIRST VIEW



The copyright belongs to samzo parts [China] Co., Ltd. please use the material after samzo parts agree to authorize. The final right of interpretation belongs to samzo parts. WWW.KKK-JP.COM

TITLE::

6.3\*0.8\*14 Ø2

DWG NO: G63-14P07

PART NO: G631415000

MODEL NO: G630-09-3T

NAME:

GASKET

SAMZO COMPONENTS  
Electronic switch and connector manufacturer

E

D

C

B

A

1

2

3

4

5

6

7

8