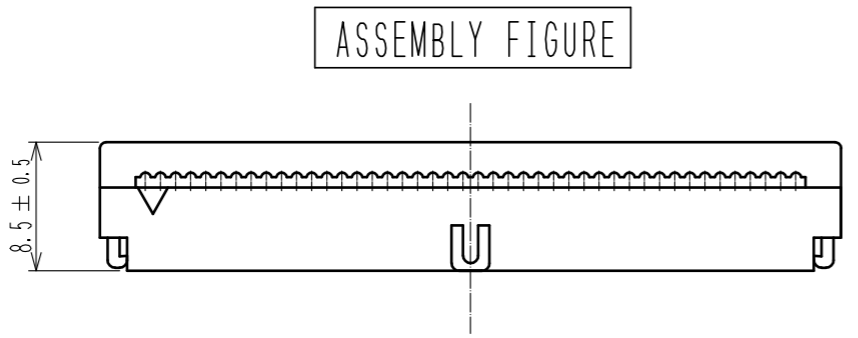
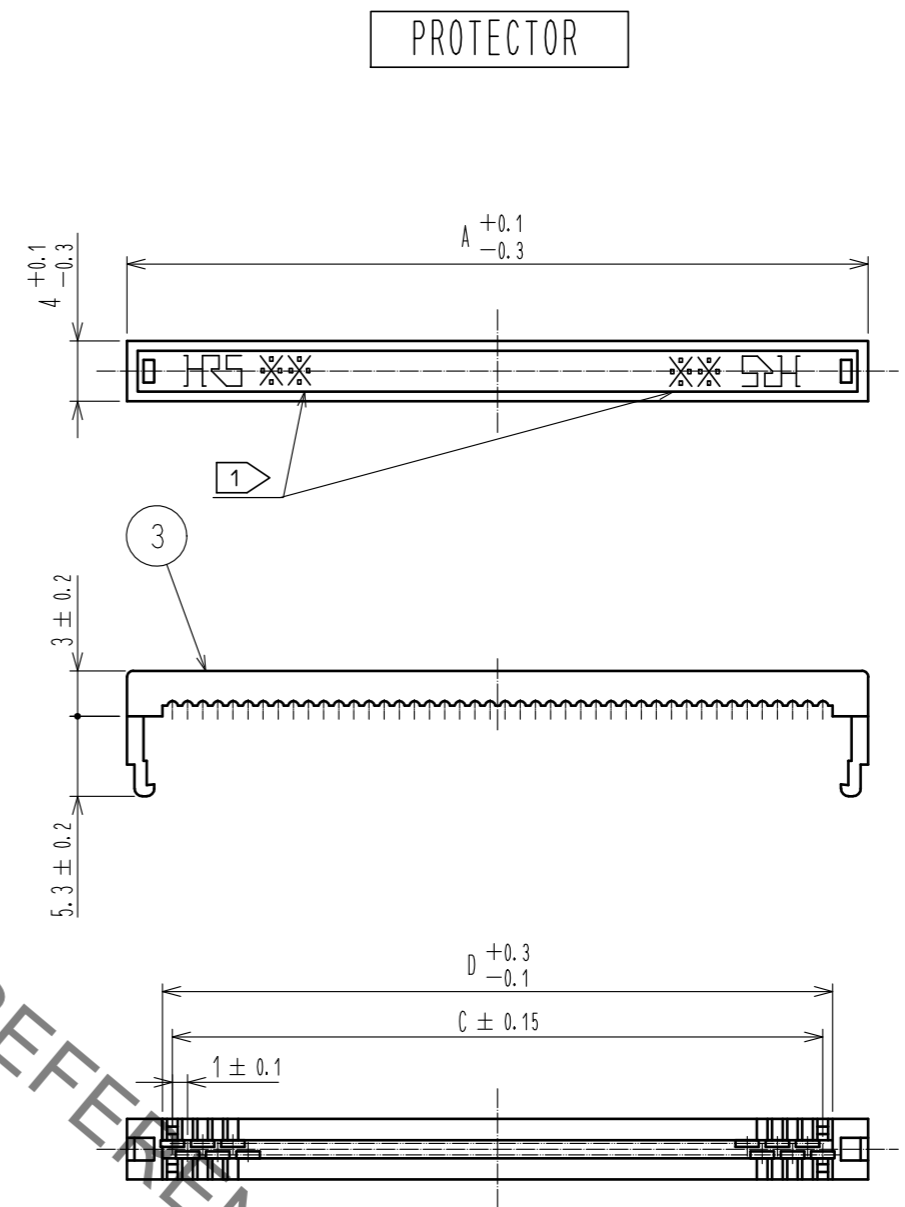
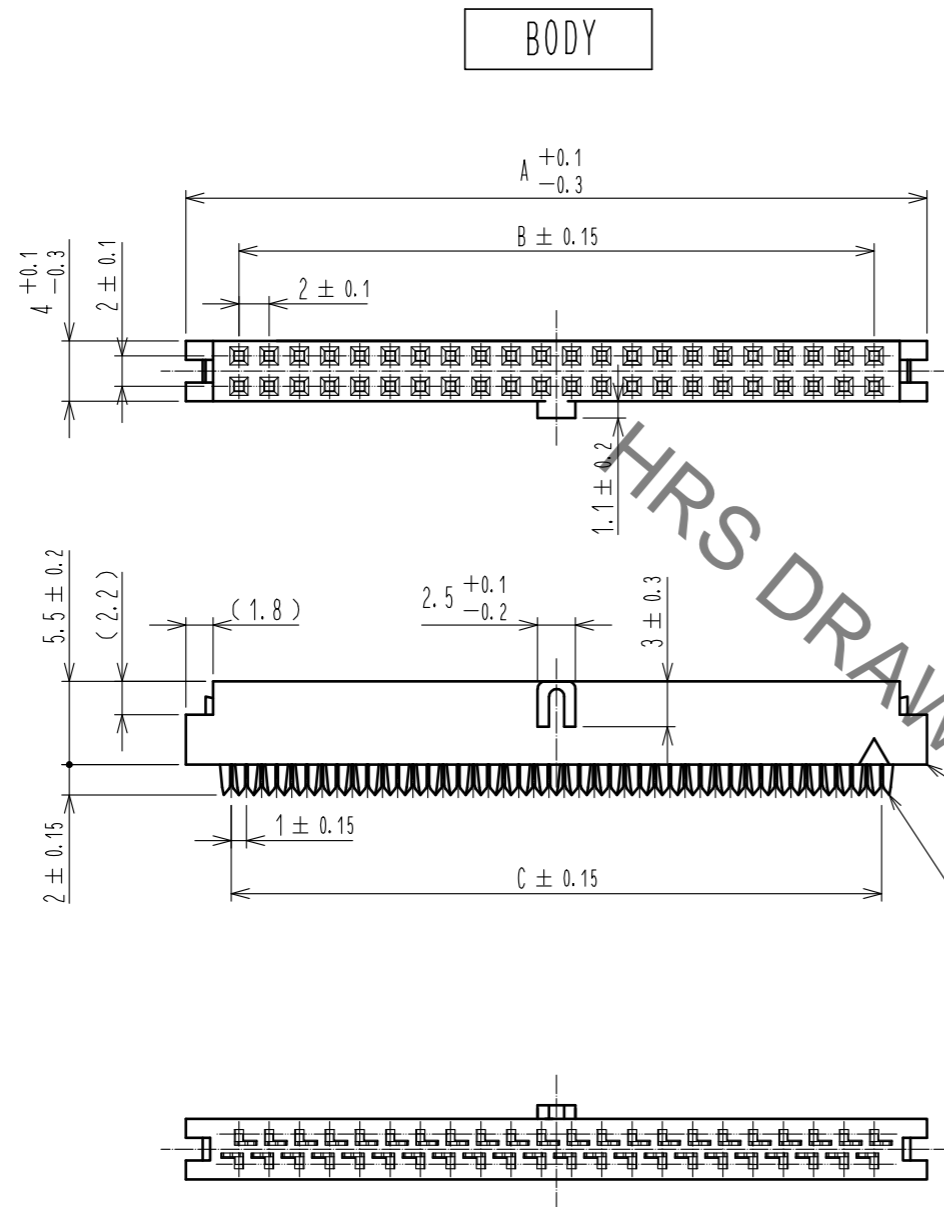


Jul.1.2019 Copyright 2019 HIROSE ELECTRIC CO., LTD. All Rights Reserved.
 In case of consideration for using Automotive equipment / device which demand high reliability, kindly contact our sales window correspondents.



注 ① ※※ INDICATES THE NUMBER OF CONTACTS.

PART NO.	CODE NO.	PIN	A	B	C	D
A3E-44D-2R(30)	CL621-0811-3-30	44	49	42	43	44.3
A3E-50D-2R(30)	CL621-0814-1-30	50	55	48	49	50.3

NO.	MATERIAL	FINISH	REMARKS	NO.	MATERIAL	FINISH	REMARKS
1	PBT	BLACK	UL94V-0	3	POLYAMIDE	BLACK	UL94V-0
				2	BERYLLIUM COPPER	CONTACT AREA : GOLD 0.2 μ m	
						DIP AREA : GOLD FLASH	
						UNDER PLATING : NICKEL 2.5 μ m	

UNITS	SCALE	COUNT	DESCRIPTION OF REVISIONS	DESIGNED	CHECKED	DATE
mm	2 : 1	△				

HRS HIROSE ELECTRIC CO., LTD.	APPROVED : NH. NAKATA	17. 04. 10	DRAWING NO. EDC-376298-00-00 PART NO. A3E-*D-2R(30) CODE NO. CL621
	CHECKED : HT. YAMAGUCHI	17. 04. 10	
	DESIGNED : HR. NAGAYASU	17. 04. 10	
	DRAWN : HR. NAGAYASU	17. 04. 10	

Mouser Electronics

Authorized Distributor

Click to View Pricing, Inventory, Delivery & Lifecycle Information:

[Hirose Electric:](#)

[A3E-44D-2R\(30\)](#)