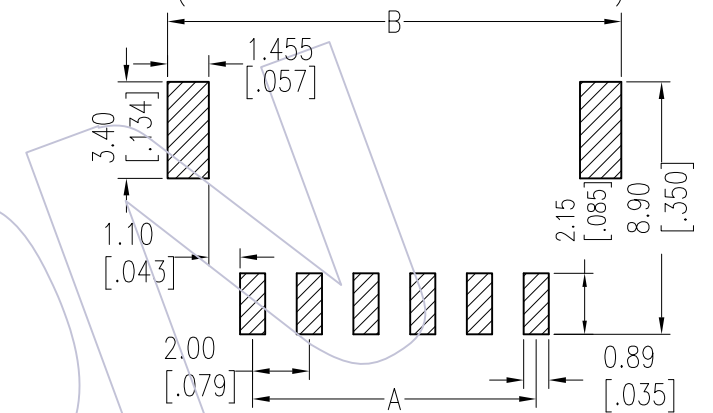
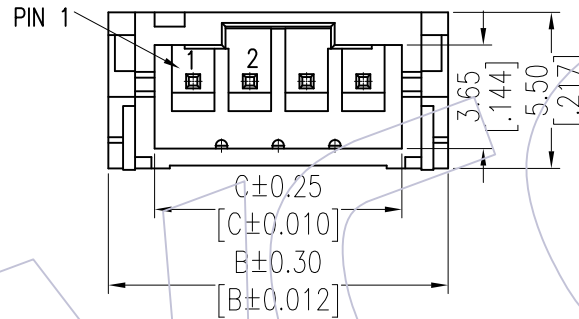


HSF

NOTES:
 Current Rating:1.0A
 Voltage Rating:100V AC,DC
 Contact Resistance:20mΩ max
 Withstand Voltage:800V AC/minute
 Insulation Resistance:1000MΩ min
 Operation Temperature:-25℃ to +85℃

Contact Material:Brass
 Contact plating:Au or Sn Over Ni
 Insulator Material:PA6T+30%G.F(UL94V-0)

Recommended P.C.B Layout(Top Side)
 (PCB BOARD TOLERANCE±0.05)

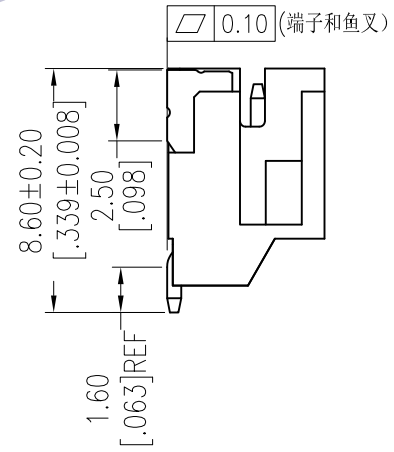
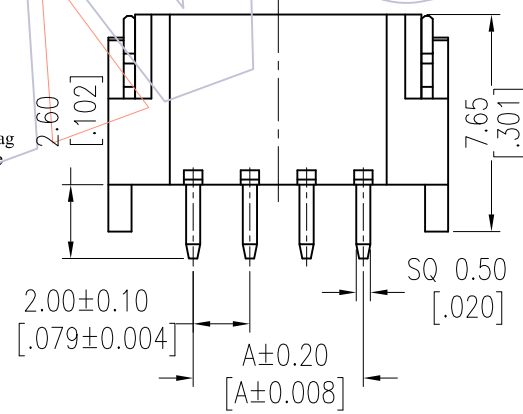


Dimensional & Ordering Information:

Ordering Information

WF2001 - WZ XX X T 1

No. of pins: 02~16P
 Contact Plating: S0=Gold Flash/Tin, S3=10u"Gold/Tin, S4=15u"Gold/Tin, S5=30u"Gold/Tin, G0=Gold Flash, G3=10u"Gold, G4=15u"Gold, G5=30u"Gold, Blank=Tin
 Color: B=Black, W=Natural
 Packing: 0=PE Bag, T= Tube, R= Reel



Circuit	Part No.	Dimension		
		A	B	C
02	WF2001-WZ02X01	2.0	8.0	4.72
03	WF2001-WZ03X01	4.0	10.0	6.72
04	WF2001-WZ04X01	6.0	12.0	8.72
05	WF2001-WZ05X01	8.0	14.0	10.72
06	WF2001-WZ06X01	10.0	16.0	12.72
07	WF2001-WZ07X01	12.0	18.0	14.72
08	WF2001-WZ08X01	14.0	20.0	16.72
09	WF2001-WZ09X01	16.0	22.0	18.72
10	WF2001-WZ10X01	18.0	24.0	20.72
11	WF2001-WZ11X01	20.0	26.0	22.72
12	WF2001-WZ12X01	22.0	28.0	24.72
13	WF2001-WZ13X01	24.0	30.0	26.72
14	WF2001-WZ14X01	26.0	32.0	28.72
15	WF2001-WZ15X01	28.0	34.0	30.72
16	WF2001-WZ16X01	30.0	36.0	32.72

REV	DATE	MODIFICATION DESCRIPTION	CHANGE	OPERATION	DRAW	DATE	SCALE	FIT	PART NO.
				x.x ±0.40	JYHuang	2012/08/25	UNIT	mm	SEE TABLE
				x.xx ±0.25	CHECK	DATE	SIZE	A4	TITLE:
				x.xxx ±0.15	APPROVE	DATE	SHEET	1/1	"J"TYPE PH2.0 WAFER 90°SMT
				Angle ± 3'			PROJ.		Customer NO.
				DIM TOL					

WCON
 Http: www.wcon.com

WCON-Dongguan
 Tel: +86 769 85358920
 Fax: +86 769 85358915
 E-mail: sales@wcon.com

WCON-Kunshan
 Tel: +86 512 57468408
 Fax: +86 512 57468468
 E-mail: salesks@wcon.com