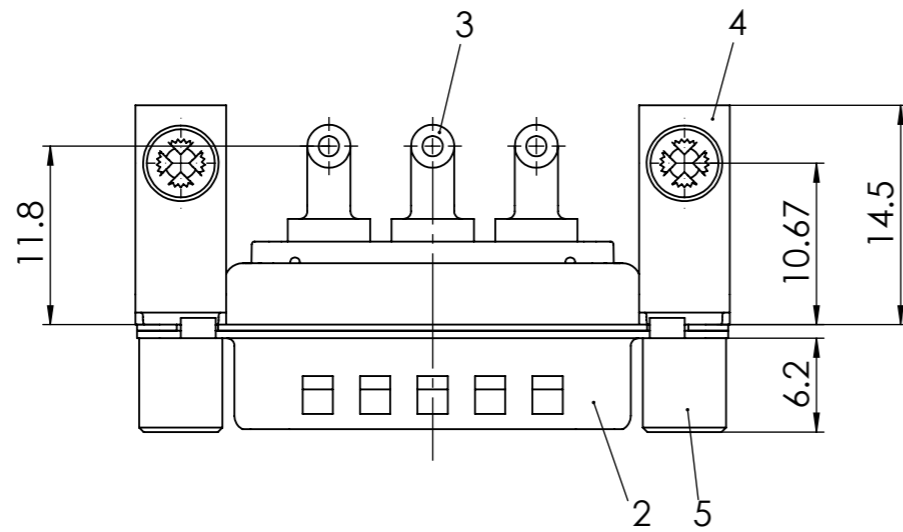
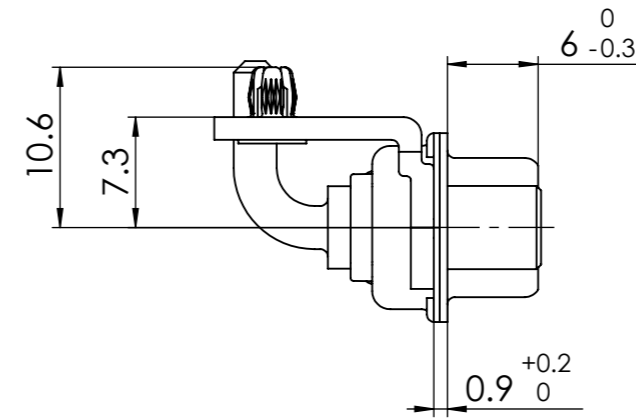
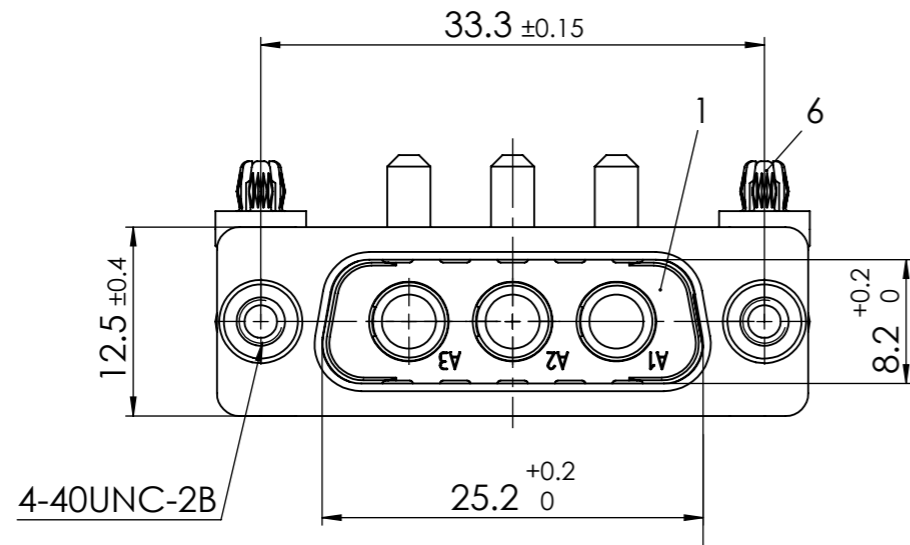
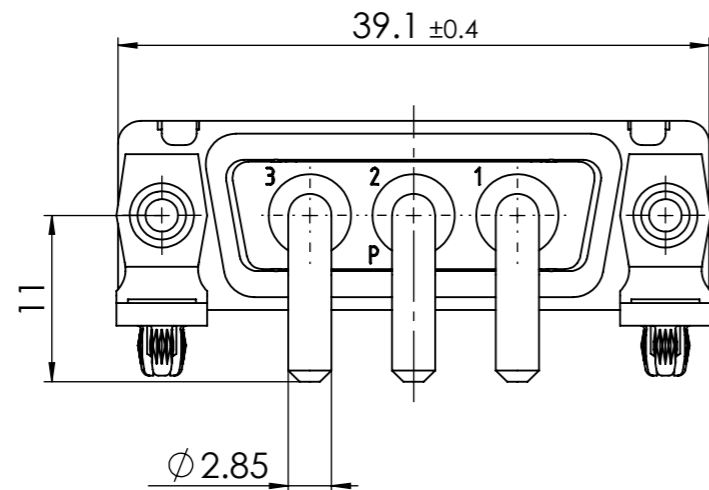
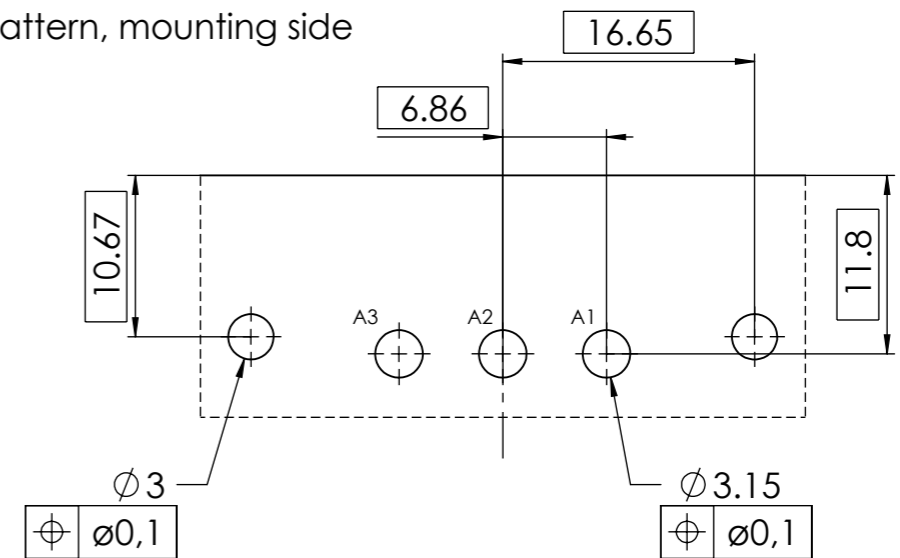


RoHS compliant
by exemption



PCB hole pattern, mounting side



No.	St.	Part	Type Description/Material	Surface plating/Colour/Class
6	2	Snap-in rivet	PCB 1.6mm / Brass	tin plated
5	2	Threaded spacer	MW 4-40 / Steel	tin plated
4	2	Bracket	F1080-13B / Steel	tin plated
3	3	High power contact	FMP008P105R	20A
2	1	Shell	Steel	tin plated
1	1	Insulator	PBT (-55°C to +130°C) acc. UL94V-0	green

FUNCTIONAL SYMBOLS					THIS DRAWING CONTAINS INFORMATION THAT IS PROPRIETARY TO MOLEX ELECTRONIC TECHNOLOGIES, LLC AND SHOULD NOT BE USED WITHOUT WRITTEN PERMISSION				
▽ = 0	DIMENSION UNITS	SCALE	MEASUREMENTS WITHOUT TOLERANCE ACC. TO ISO 2768-m						
▽ = 0	mm	2:1							
▽ = 0	CURRENT REVISION		DRWN: DRAWN BY mteubel 18-12-2023		FCT D-Sub Mixed-Layout Connector				
			APPR: APPR BY msteinbrueck 21-12-2023						
	INITIAL REVISION		DRWN: DRAWN BY sschref 13-08-2007		PRODUCT CUSTOMER DRAWING MATERIAL NUMBER 1731071024				
			APPR: APPR BY ADenzinger 13-08-2007						
	REV.	CH.-NO.	REPLACEMENT FOR: 1731071024_rev. A1		DOCUMENT NUMBER		CUSTOMER		REVISION
					FM3W3P-2622		GENERAL MARKET		2
			FIRST ANGLE PROJECTION		DRAWING		SHEET NUMBER		
			A3-SIZE				1 OF 1		

COMMENT:
ALL RIGHTS ARE RESERVED BY US FOR THIS DRAWING. WITHOUT OUR PRIOR CONSENT,
IT MAY NEITHER BE DUPLICATED NOR MADE AVAILABLE TO A THIRD PARTY.
AND IT ALSO MAY NOT BE IMPROPERLY USED BY THE RECEIVER, OR A THIRD PARTY.