

[Issue No.] T40-0004

[Page] 2/6

[Title] Anti-vibration measures for Q series base unit

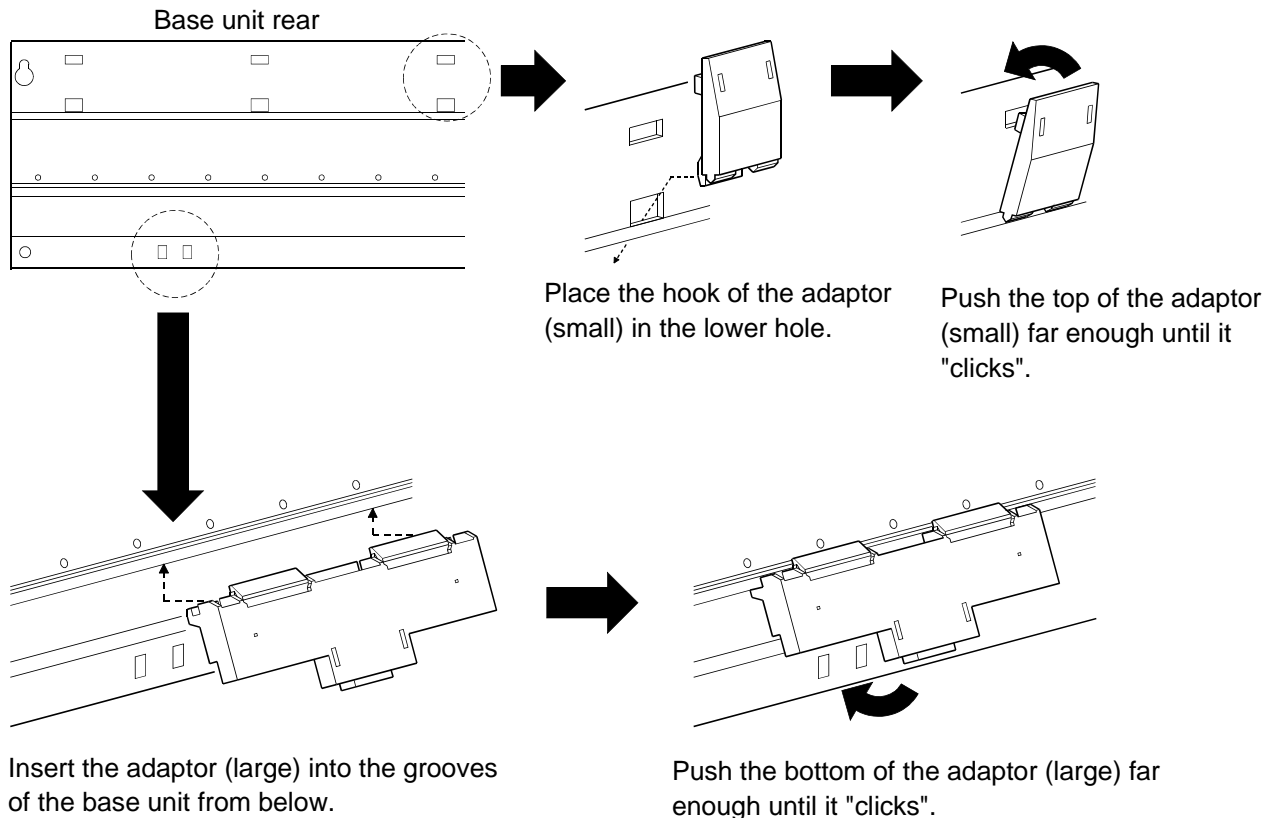
[Date of Issue] Jun., '04

[Relevant Models] DIN rail mounting adaptors (Q6DIN1, Q6DIN2, Q6DIN3)

4. DIN rail installation method

(1) Adaptor installation method

Installation guide of the adaptors used for mounting the base unit onto the DIN rail.



(2) Applicable DIN rail types (IEC 60715)

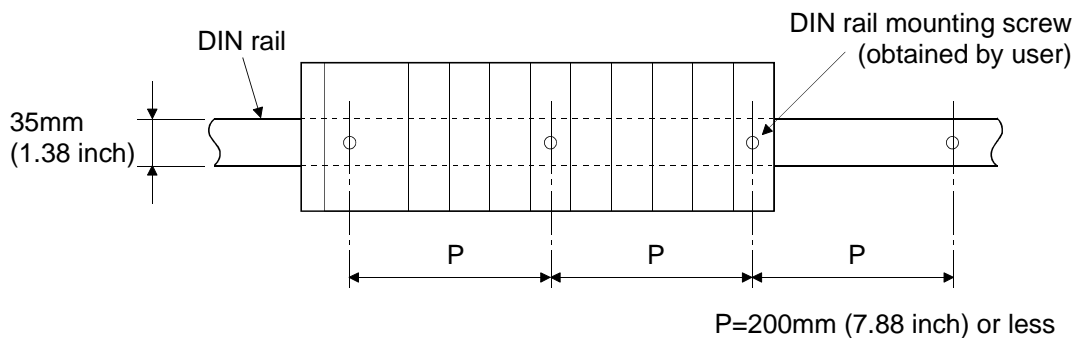
TH35-7.5Fe

TH35-7.5Al

TH35-15Fe

(3) DIN rail mounting screw intervals

When using either the TH35-7.5Fe or TH35-7.5Al type DIN rail, the rail mounting screws (obtained by user) should be inserted in 200 mm intervals (7.88 inch) or less in order to ensure that the rail has sufficient strength.



TECHNICAL BULLETIN

[Issue No.] T40-0004

[Page] 3/6

[Title] Anti-vibration measures for Q series base unit

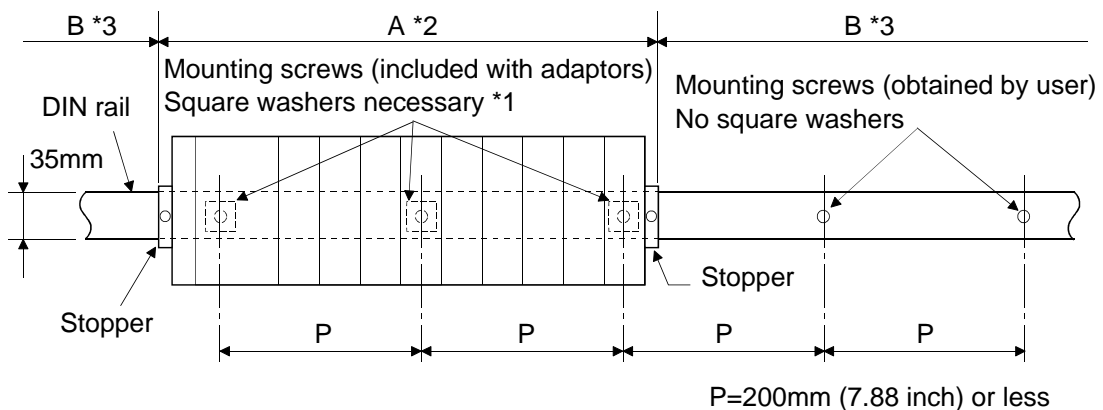
[Date of Issue] Jun., '04

[Relevant Models] DIN rail mounting adaptors (Q6DIN1, Q6DIN2, Q6DIN3)

When installing the DIN rail in a place vibration and/or shock prone environment, insert the mounting screws in 200mm intervals or less by following the method shown below.

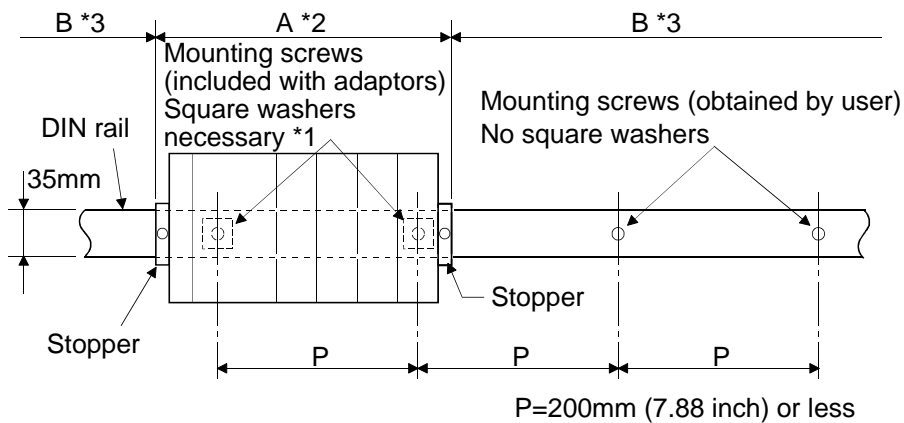
For Q38B, Q312B, Q68B, Q38RB or Q68RB type

Screw the DIN rail in three places using the mounting screws and square washers included with the DIN rail mounting adaptors (hereafter abbreviated to the adaptors) in 'Position A' (bottom of base unit).



For Q35B, Q65B, Q00JCPU, Q33B, Q52B, Q55B, Q63B, Q32SB, Q33SB or Q35SB type

Screw the DIN rail in two places using the mounting screws and square washers included with the adaptors in 'Position A' (bottom of base unit).



TECHNICAL BULLETIN

[Issue No.] T40-0004

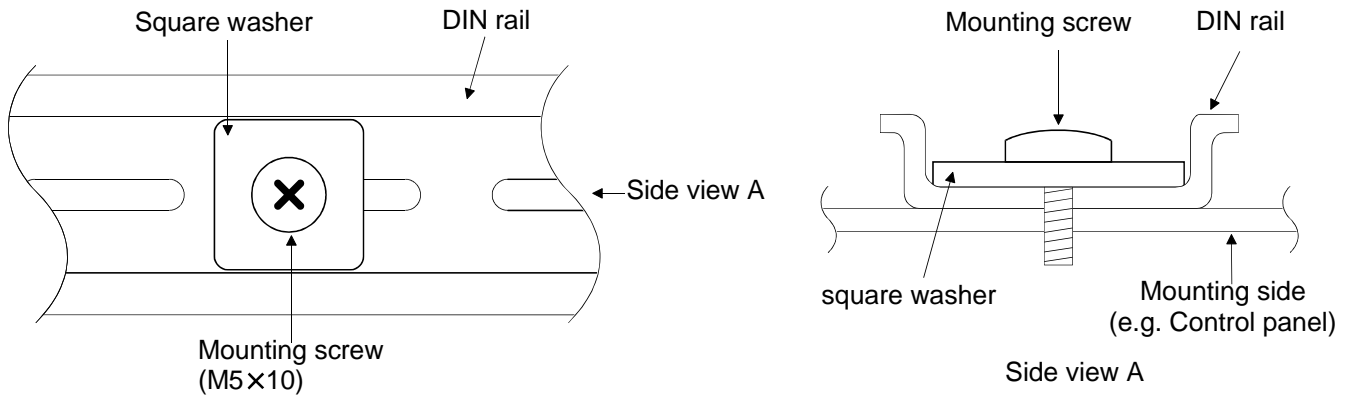
[Title] Anti-vibration measures for Q series base unit

[Page] 4/6

[Date of Issue] Jun., '04

[Relevant Models] DIN rail mounting adaptors (Q6DIN1, Q6DIN2, Q6DIN3)

*1

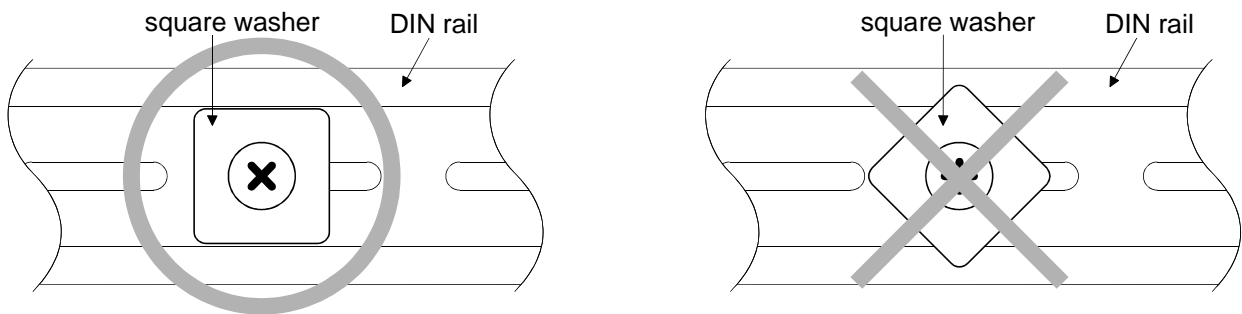


*2: Screw the DIN rail to the control panel using the mounting screws and square washers included with the adaptors in 'Position A' (bottom of base unit)

*3: Screw the DIN rail with mounting screws (obtained by user) in 'Position B' (where the base unit is not installed). In this method the supplied mounting screws and square washers are not used.

POINT

- (1) Use only one washer for each mounting screw. Use only the square washers supplied with the adaptors. If two or more washers are used together for one mounting screw, the screw may interfere with the base unit.
- (2) Make sure to align the square washer sides with the DIN rail.



- (3) Use the DIN rail that is compatible with M5 size screws.

MITSUBISHI ELECTRIC CORPORATION

HEAD OFFICE : 1-8-12, OFFICE TOWER Z 14F HARUMI CHUO-KU 104-6212, JAPAN
NAGOYA WORKS : 1-14, YADA-MINAMI 5-CHOME, HIGASHI-KU, NAGOYA, JAPAN

TECHNICAL BULLETIN

[Issue No.] T40-0004

[Title] Anti-vibration measures for Q series base unit

[Page] 5/6

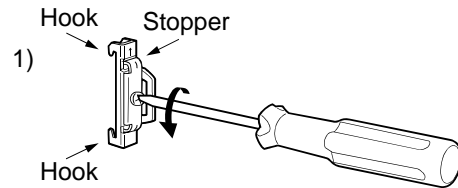
[Date of Issue] Jun., '04

[Relevant Models] DIN rail mounting adaptors (Q6DIN1, Q6DIN2, Q6DIN3)

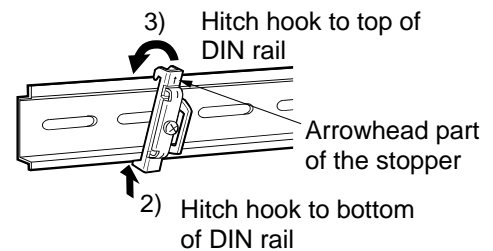
(4) Stopper mounting

When using the DIN rail in a large vibration and/or shock prone environment, install the base unit using the stoppers supplied with the DIN rail mounting adaptors.

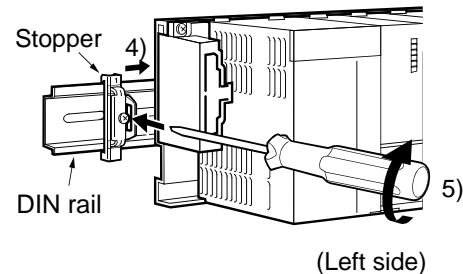
1) Loosen the screw at the top of the stopper. (2 stoppers)



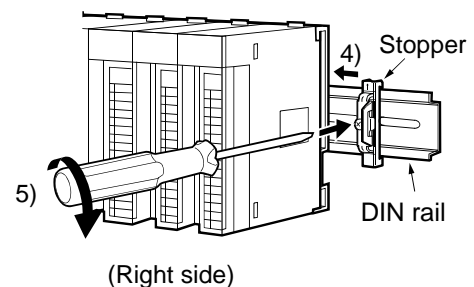
2) Hitch the lower hook of the stopper to the bottom of the DIN rail. Install the stopper with the arrowhead side facing up.



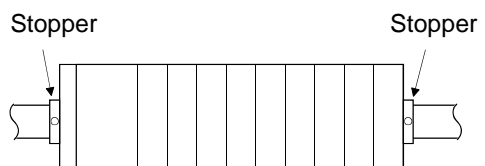
3) Hitch the upper hook of the stopper to the top of the DIN rail.



4) Slide the stopper to the end of the base unit so that they are fully in contact.



5) Tighten the screw of the stopper with a screwdriver. (Tightening torque 100 to 135N·cm)



Make sure that the left and right stoppers are fixed securely to the DIN rail.

Complete

MITSUBISHI ELECTRIC CORPORATION

HEAD OFFICE : 1-8-12, OFFICE TOWER Z 14F HARUMI CHUO-KU 104-6212, JAPAN
NAGOYA WORKS : 1-14, YADA-MINAMI 5-CHOME, HIGASHI-KU, NAGOYA, JAPAN

TECHNICAL BULLETIN

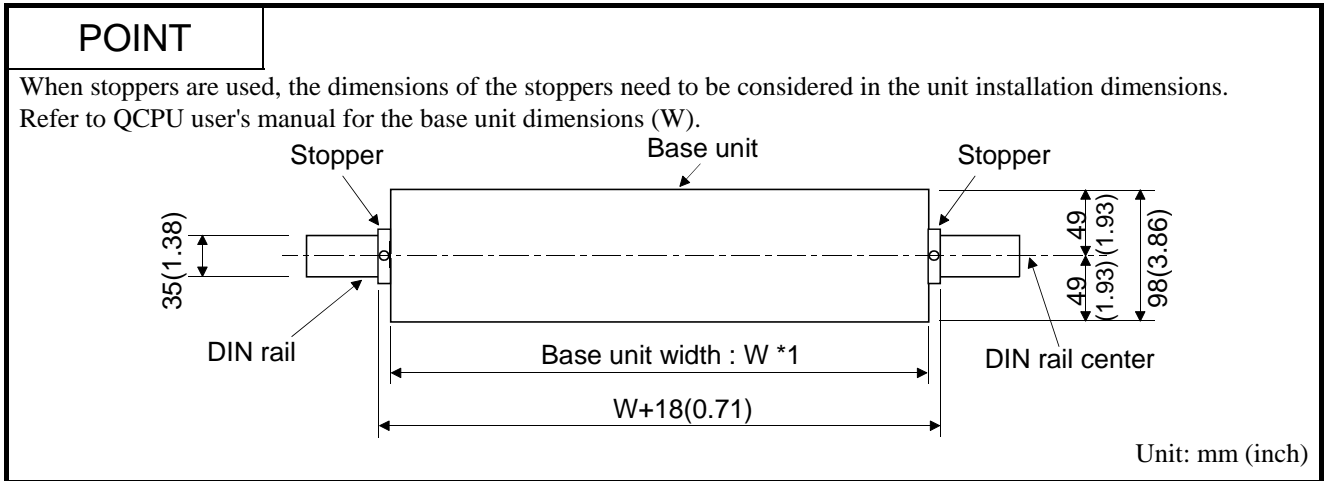
[Issue No.] T40-0004

[Page] 6/6

[Title] Anti-vibration measures for Q series base unit

[Date of Issue] Jun., '04

[Relevant Models] DIN rail mounting adaptors (Q6DIN1, Q6DIN2, Q6DIN3)



(5) Dimensions when DIN rail is attached (side view)

