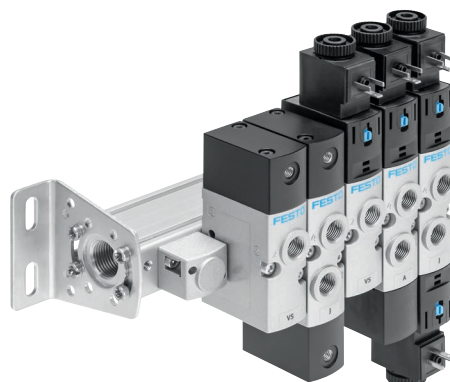
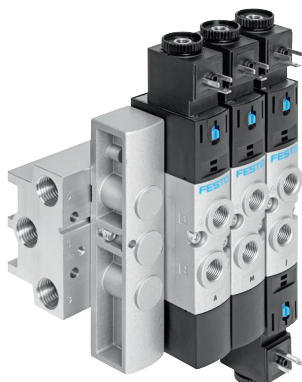


## Pneumatic valves VUWS/valve manifold assembly VTUS

**FESTO**



## Key features



### Innovative

- A reliable, robust valve with a long service life
- Design principle:
  - Poppet seat, soft-sealing (VUWS-LT)
  - Piston spool with sealing cartridge (VUWS-L)
- Flow rate up to 1800 l/min with VUWS-LT
- Flow rate up to 2300 l/min with VUWS-L
- Wide range of valve functions

### Flexible

- In-line valves can be used as individual valves or manifold valves
- Variable pressure zones
- Wide range of mounting options

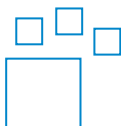
### Reliable

- Ergonomic and safe operation
- Durable thanks to tried and tested piston spools
- Reliable servicing thanks to valves that can be replaced quickly and easily

### Easy to install

- Pre-assembled units on rails
- Individual valves assembled ready for installation
- Common supply manifolds for mounting on one or both sides
- Secure mounting on wall or H-rail

### Ordering data – Product options



Configurable product  
This product and all its product options can be ordered using the configurator.

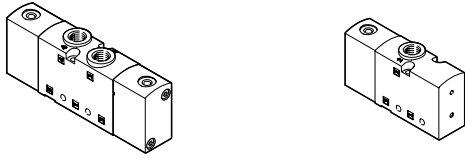
The configurator can be found at  
→ [www.festo.com/catalogue/...](http://www.festo.com/catalogue/...)  
Enter the part number or the type.

| Part no. | Type    |
|----------|---------|
| 576517   | VUWS-20 |
| 8022015  | VUWS-25 |
| 8022018  | VUWS-30 |
| 577304   | VTUS-20 |
| 8022016  | VTUS-25 |
| 8022019  | VTUS-30 |

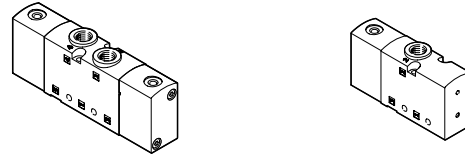
## Key features

### Pneumatic valves VUWS

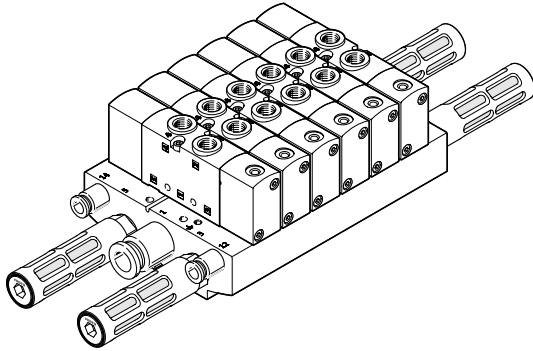
In-line valve VUWS-L as individual valve (piston spool valve)



In-line valve VUWS-LT as individual valve (poppet seat valve)



### Valve manifold assembly VTUS



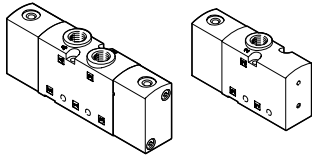
In-line valves are designed to be used without being linked pneumatically. All pneumatic connections are on the valve and can be equipped with fittings/tubing. By using a special seal set, the in-line valves can also be mounted on a manifold rail (pneumatic linking) as semi in-line valves.

Pneumatic valves VUWS have a sturdy design that enables them to be used in harsh environments.

Pneumatic valves VUWS are extremely well suited for controlling cylinders or compressed air networks for easy clamping and locking processes in semi-automatic assembly and manufacturing.

### Equipment options

VUWS-LT



- 3/2-, 2x 3/2- and 5/2-way valves
- Size 20 (21 mm)
- Size 25 (26.5 mm)
- Size 30 (31 mm)
- In-line valves

Valve functions VUWS-LT

3/2-way valve, normally open, monostable:

- Reset via mechanical spring
- Flow direction not reversible

3/2-way valve, normally closed, monostable:

- Reset via mechanical spring
- Flow direction not reversible

2x 3/2-way valve, normally open, monostable:

- Reset via mechanical spring
- Flow direction not reversible

2x 3/2-way valve, normally closed, monostable:

- Reset via mechanical spring
- Flow direction not reversible

2x 3/2-way valve, 1x normally open, 1x normally closed, monostable:

- Reset via mechanical spring
- Flow direction not reversible

5/2-way monostable valve:

- Reset via mechanical spring
- Flow direction not reversible
- Can also be used as 3/2-way valve by closing one outlet port

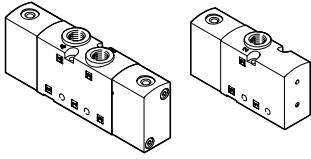
5/2-way bistable valve:

- Flow direction not reversible

## Key features

### Equipment options

#### VUWS-L



- Size 20 (21 mm)
- Size 25 (26.5 mm)
- Size 30 (31 mm)
- 3/2-, 5/2- and 5/3-way valves
- In-line valves

#### Valve functions VUWS-L

3/2-way valve, normally open, monostable:

- External pneumatic spring connection (M32U-E)
- Reset via pneumatic/mechanical spring
- Flow direction reversible with mechanical spring return or external pneumatic spring connection
- Dual-pressure operation possible
- If the external pneumatic spring connection is used as signal input, the result is a dominant bistable valve

3/2-way valve, normally closed, monostable:

- External pneumatic spring connection (M32C-E)
- Reset via pneumatic/mechanical spring
- Flow direction reversible with mechanical spring return or external pneumatic spring connection
- Dual-pressure operation possible
- If the external pneumatic spring connection is used as signal input, the result is a dominant bistable valve

5/2-way monostable valve:

- External pneumatic spring connection (M52-E)
- Reset via pneumatic/mechanical spring
- Flow direction reversible with mechanical spring return or external pneumatic spring connection
- Can also be used as 3/2-way valve by closing one outlet port

5/2-way bistable valve:

- Flow direction reversible

5/3-way valve, mid-position exhausted, pressurised or closed:

- Flow direction reversible
- Reset via mechanical spring

### Key features

- A maximum of 16 valve positions can be configured in the standard version
- A maximum of 12 valve positions can be configured in the compact version
- Valve positions 2 ... 10 in increments of 1, valve positions 10 ... 16 in increments of 2
- Manifold block with a maximum of 10 valve positions
- Extension module with 2 valve positions
- Common supply manifold with a maximum of 10 valve positions
- Creation of pressure zones (maximum 9 pressure zones in the case of a valve manifold assembly with 16 valve positions)

### Design

#### Valve replacement

Each valve is attached to the manifold block using two screws. The appropriate seal is mounted on the valve.

This means that the valves can be easily replaced.

#### Extension

Valve positions covered with blanking plates can be replaced with valves at a later date.

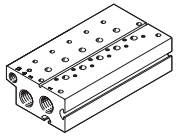
The dimensions, mounting points and existing pneumatic installations remain unchanged.

For the standard manifold block, extension modules with 2 valve positions are available.

## Key features

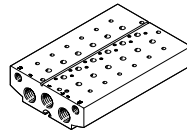
**Standard manifold block**

For 3/2-way valves



- Connection:  
Size 20: G3/8  
Size 25: G1/2  
Size 30: G3/4
- Maximum 10 valve positions

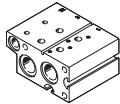
For 5/2- and 5/3-way valves



- Connection:  
Size 20: G3/8  
Size 25: G1/2  
Size 30: G3/4
- Maximum 10 valve positions

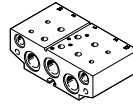
**Extension for standard manifold block**

For 3/2-way valves



- Connection:  
Size 20: G3/8  
Size 25: G1/2  
Size 30: G3/4
- Maximum two valve positions

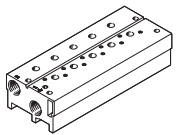
For 5/2- and 5/3-way valves



- Connection:  
Size 20: G3/8  
Size 25: G1/2  
Size 30: G3/4
- Maximum two valve positions

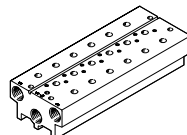
**Compact manifold block**

For 3/2-way valves



- Connection:  
Size 20: G1/4  
Size 25: G3/8  
Size 30: G1/2
- Maximum 10 valve positions

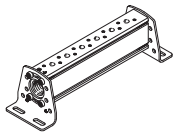
For 5/2- and 5/3-way valves



- Connection:  
Size 20: G1/4  
Size 25: G3/8  
Size 30: G1/2
- Maximum 10 valve positions

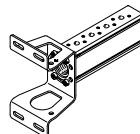
**Common supply manifold**

Mounting on both sides

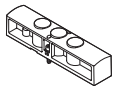


- Connection:  
Size 20: G3/8  
Size 25: G1/2  
Size 30: G3/4
- Maximum 10 valve positions

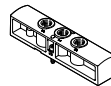
Mounting on one side



- Connection:  
Size 20: G3/8  
Size 25: G1/2  
Size 30: G3/4
- Maximum 4 valve positions

**Cover plate for vacant position**


For covering unused valve positions

**Supply plate**

For additional air supply and exhaust via a valve position

**Separator for pressure zones**

For creating pressure zones (maximum of 9 pressure zones permitted)

 **Note**

A filter must be installed upstream of valves operated in vacuum mode. This prevents any foreign matter in the intake air getting into the valve (e.g. when operating a suction cup with connector).

## Key features – Pneumatic components

### Creating pressure zones and separating exhaust air

Compressed air is supplied and exhausted via the manifold block/common supply manifold and via supply plates.

The position of the supply plates and duct separations can be freely selected with the VTUS.

A pressure zone is created by isolating the internal ducts between the valve positions with an appropriate separator.

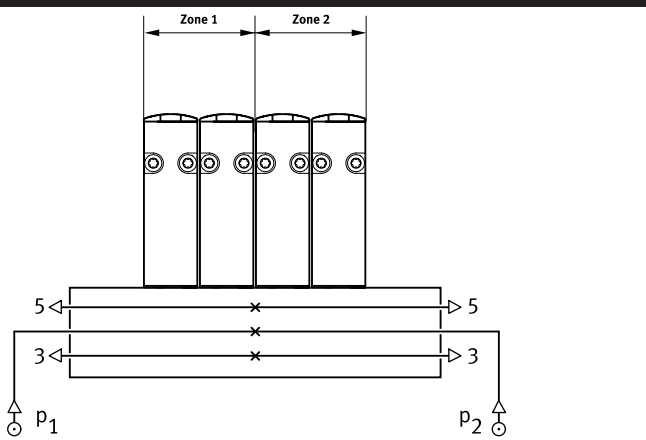
The separator can be used in the following ducts:

- Duct 1
- Duct 3
- Duct 5

 **Note**

- Use a separator if the exhaust air pressures are high
- Use at least one supply plate/supply for each pressure zone

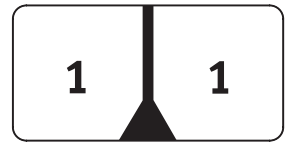
### Duct separation



### Description

The pressure zones can be freely configured with the VTUS. The following duct separations are possible:

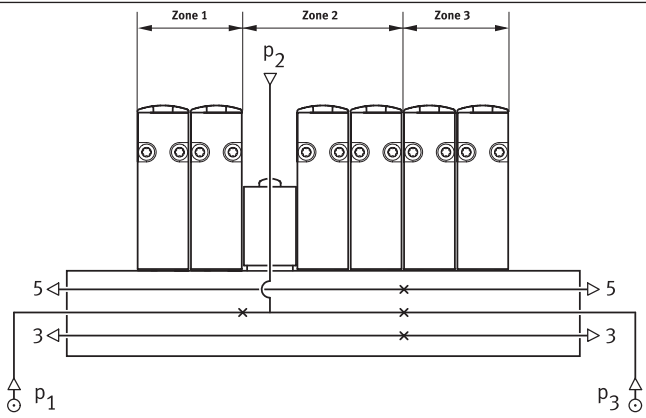
- Duct 1 closed



- Duct 1/3/5 closed



- Duct 3/5 closed

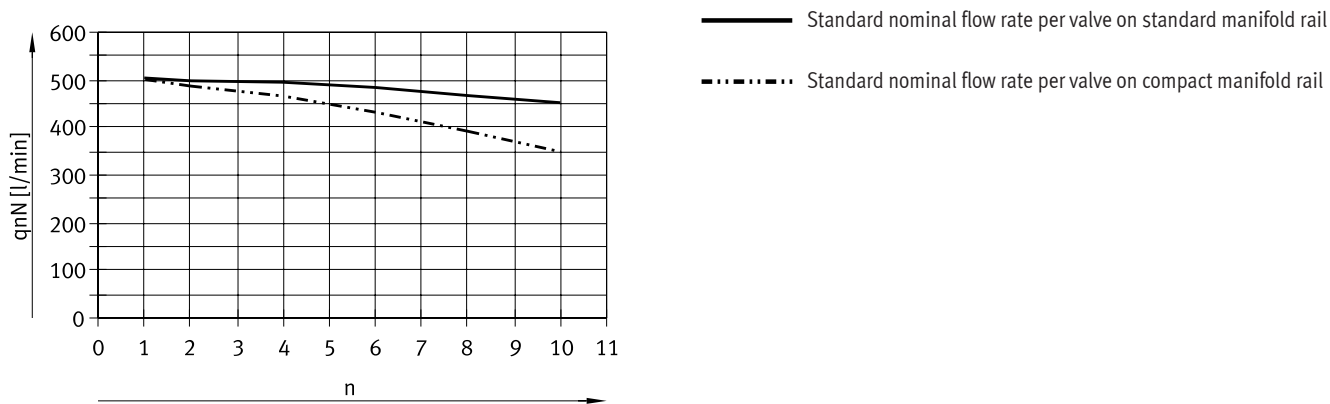


The number of pressure zones with the VTUS is limited by the number of valve positions on the manifold block/common supply manifold. Note that each supply plate occupies one valve position. There must always be at least 2 valve positions between 2 separators. In the case of a maximum extension of 16 valve positions, a maximum of 9 pressure zones can be created.

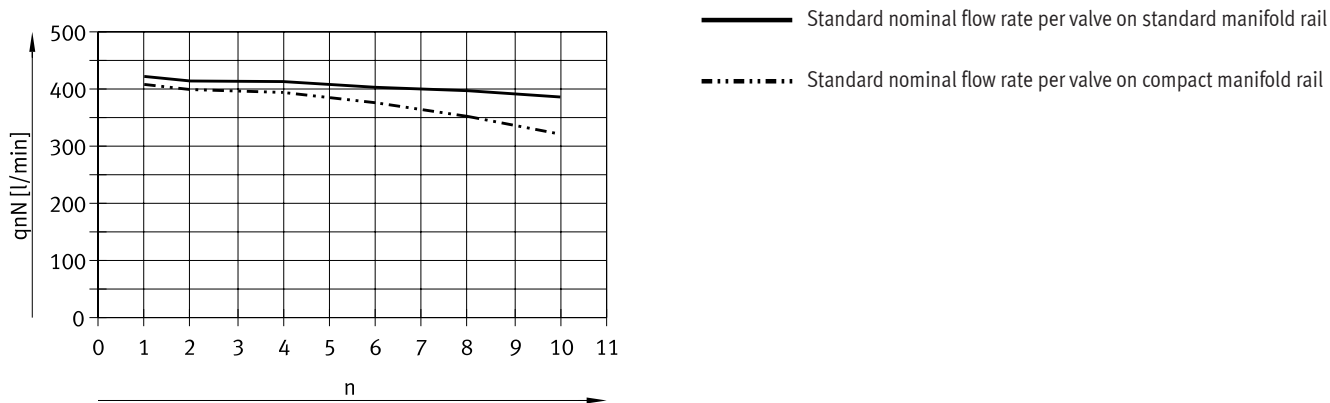
## Key features – Pneumatic components VUWS-LT

### Size 20 – Standard nominal flow rate $q_{nN}$ , with several valves $n$ switched in parallel

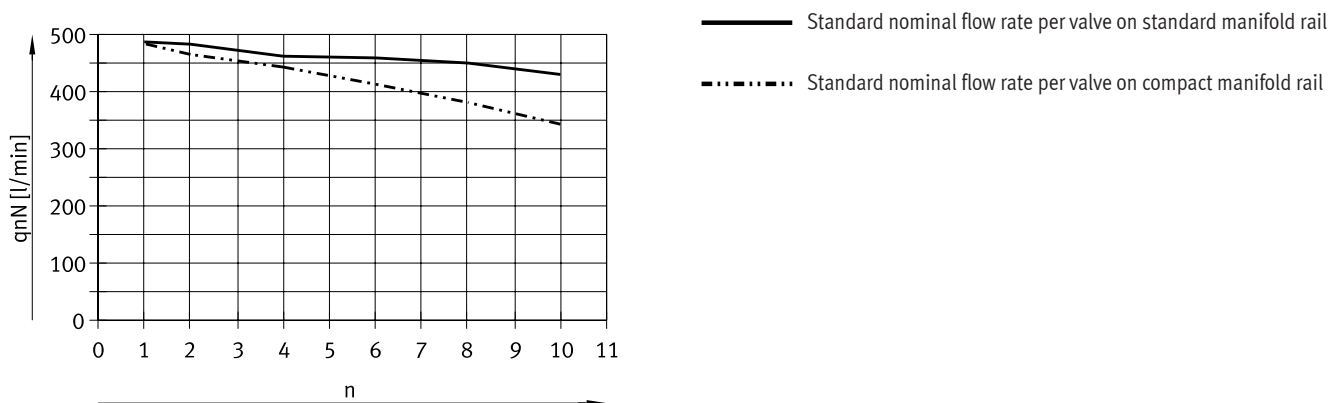
For 3/2-way valves



For 5/2-way valves, flow direction 1 → 2



For 5/2-way valves, flow direction 1 → 4

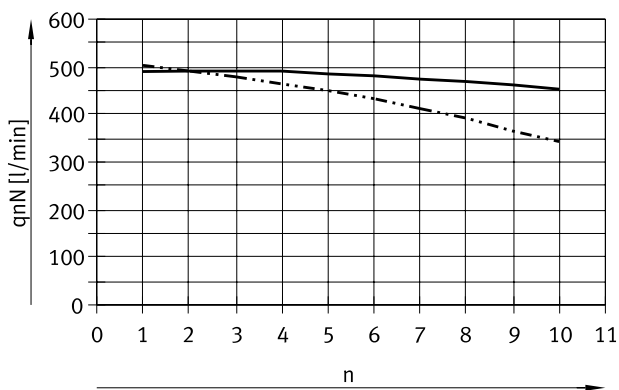


## Key features – Pneumatic components VUWS-LT

### Size 20 – Standard nominal flow rate $q_{nN}$ , with several valves $n$ switched in parallel

For 2x 3/2-way valves

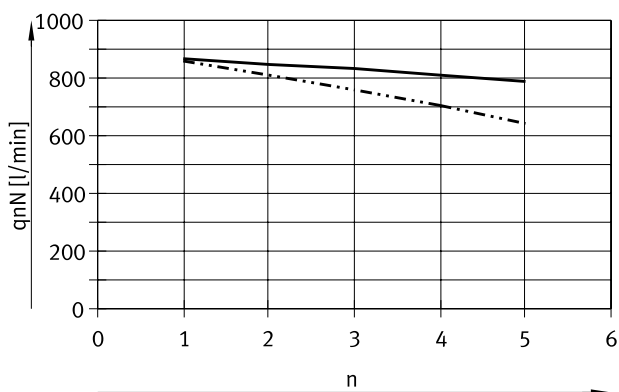
One valve function per valve position in open switching position



- Standard nominal flow rate per valve on standard manifold rail
- - - Standard nominal flow rate per valve on compact manifold rail

For 2x 3/2-way valves

Both valve functions per valve position simultaneously in open switching position



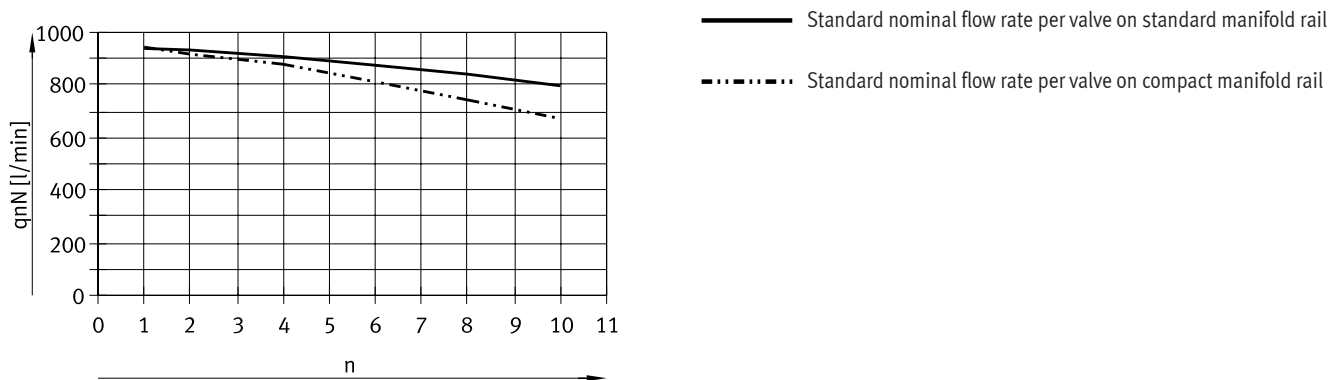
- Standard nominal flow rate per valve on standard manifold rail
- - - Standard nominal flow rate per valve on compact manifold rail



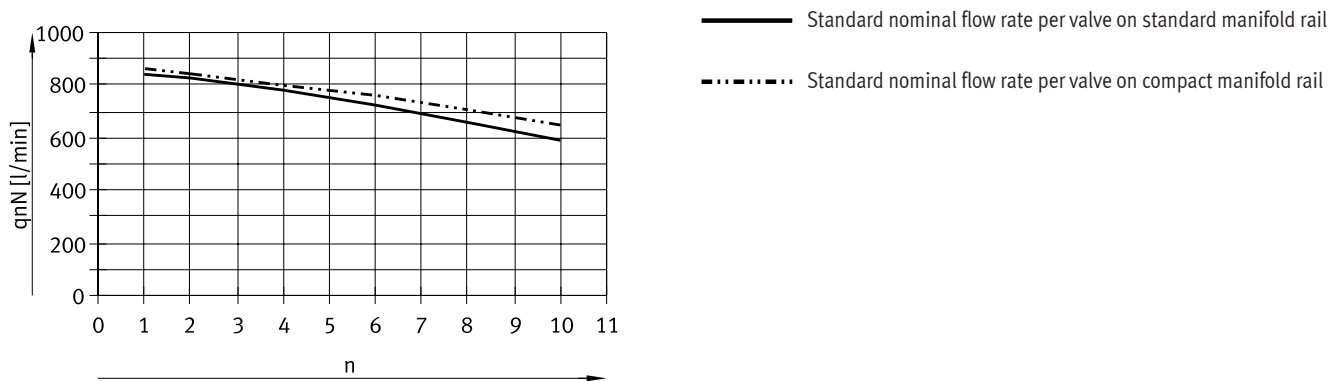
## Key features – Pneumatic components VUWS-LT

### Size 25 – Standard nominal flow rate $q_{nN}$ , with several valves $n$ switched in parallel

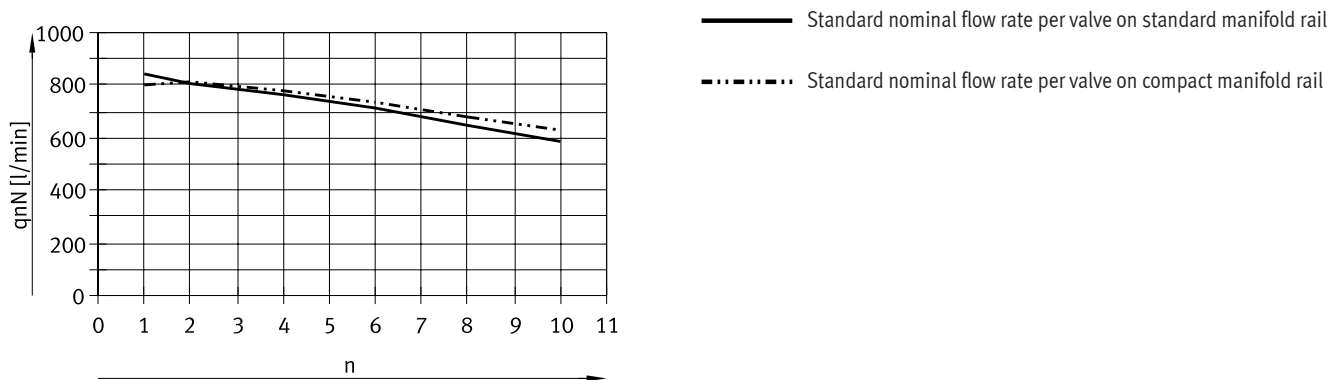
For 3/2-way valves



For 5/2-way valves, flow direction 1 → 2



For 5/2-way valves, flow direction 1 → 4

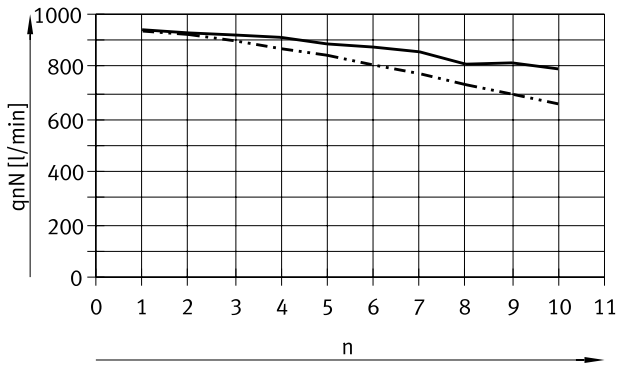


## Key features – Pneumatic components VUWS-LT

### Size 25 – Standard nominal flow rate $q_{nN}$ , with several valves $n$ switched in parallel

For 2x 3/2-way valves

One valve function per valve position in open switching position

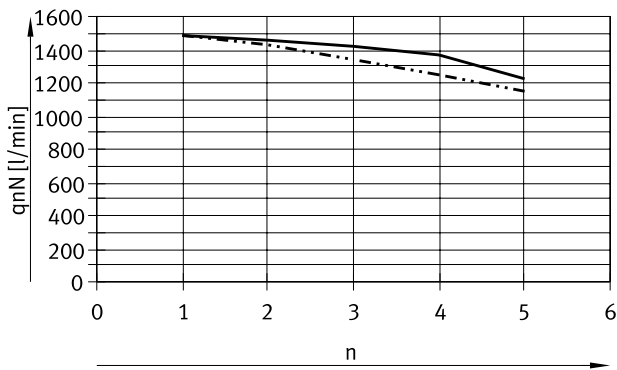


— Standard nominal flow rate per valve on standard manifold rail

⋯ Standard nominal flow rate per valve on compact manifold rail

For 2x 3/2-way valves

Both valve functions per valve position simultaneously in open switching position



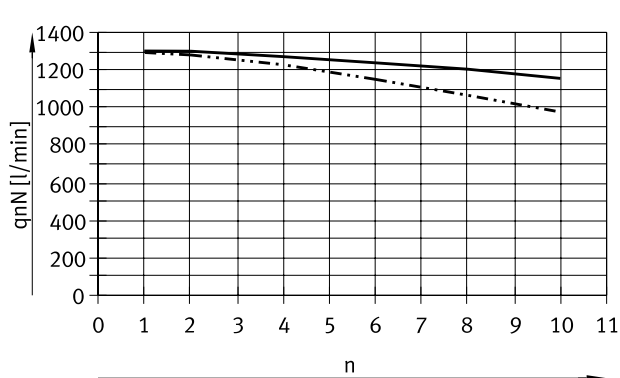
— Standard nominal flow rate per valve on standard manifold rail

⋯ Standard nominal flow rate per valve on compact manifold rail

## Key features – Pneumatic components VUWS-LT

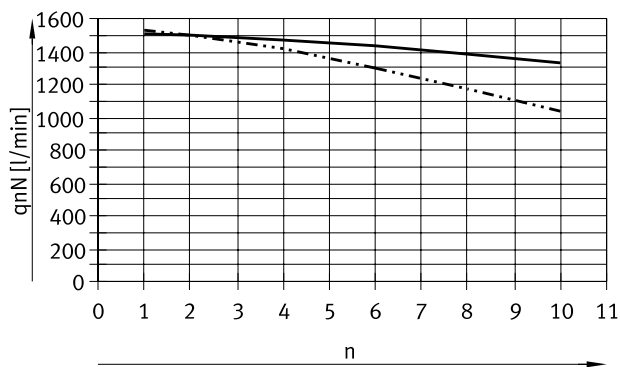
### Size 30 – Standard nominal flow rate $q_{nN}$ , with several valves $n$ switched in parallel

For 3/2-way valves



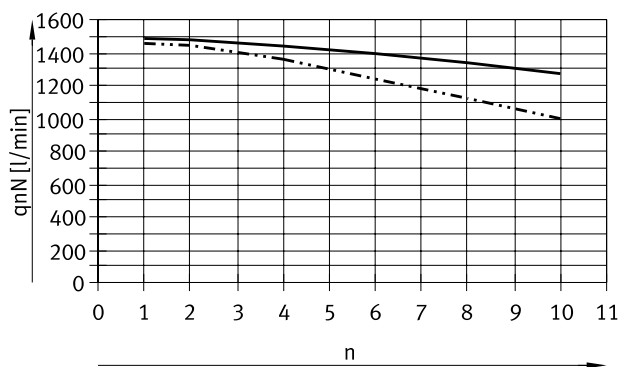
- Standard nominal flow rate per valve on standard manifold rail
- - - Standard nominal flow rate per valve on compact manifold rail

For 5/2-way valves, flow direction 1 → 2



- Standard nominal flow rate per valve on standard manifold rail
- - - Standard nominal flow rate per valve on compact manifold rail

For 5/2-way valves, flow direction 1 → 4



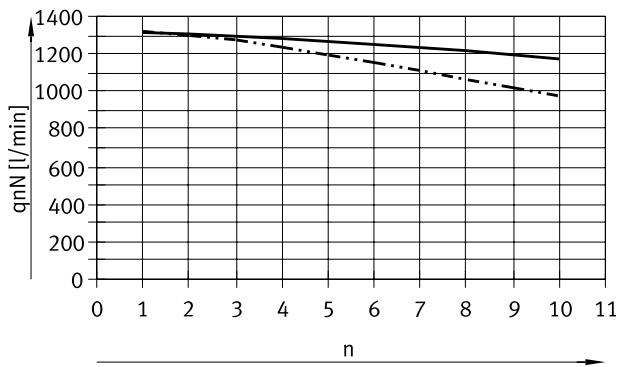
- Standard nominal flow rate per valve on standard manifold rail
- - - Standard nominal flow rate per valve on compact manifold rail

## Key features – Pneumatic components VUWS-LT

### Size 30 – Standard nominal flow rate $q_{nN}$ , with several valves $n$ switched in parallel

For 2x 3/2-way valves

One valve function per valve position in open switching position

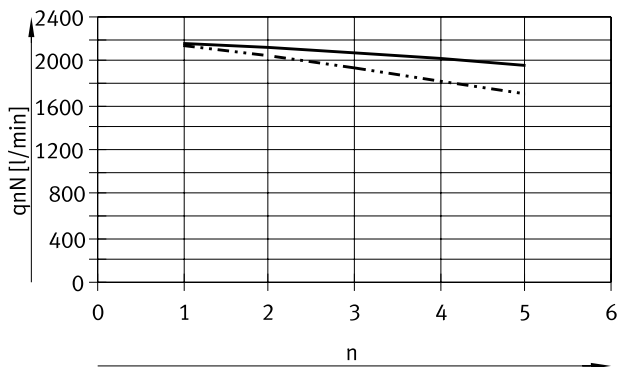


— Standard nominal flow rate per valve on standard manifold rail

- · - · - Standard nominal flow rate per valve on compact manifold rail

For 2x 3/2-way valves

Both valve functions per valve position simultaneously in open switching position



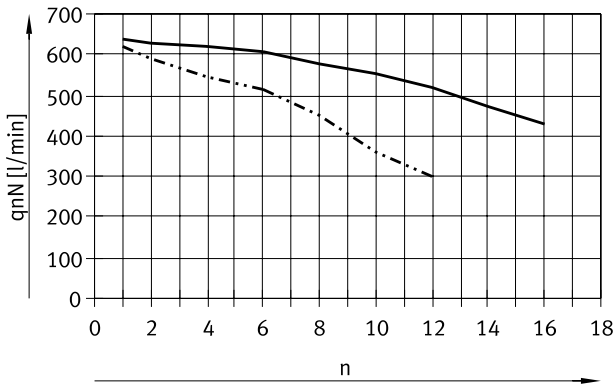
— Standard nominal flow rate per valve on standard manifold rail

- · - · - Standard nominal flow rate per valve on compact manifold rail

### Key features – Pneumatic components VUWS-L

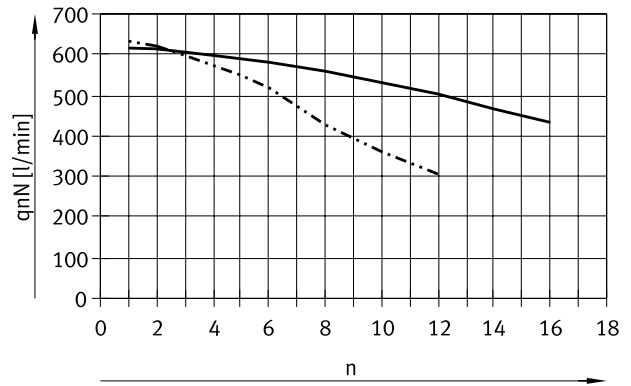
#### Size 20 – Standard nominal flow rate $q_{nN}$ , with several valves $n$ switched in parallel

For 3/2-way valves



- Standard nominal flow rate per valve on standard manifold rail
- · - · - Standard nominal flow rate per valve on compact manifold rail

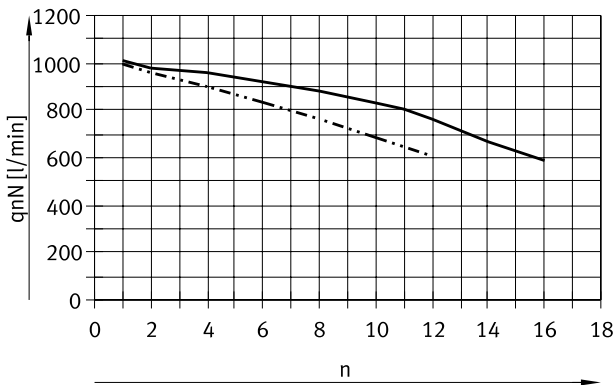
For 5/2- and 5/3-way valves



- Standard nominal flow rate per valve on standard manifold rail
- · - · - Standard nominal flow rate per valve on compact manifold rail

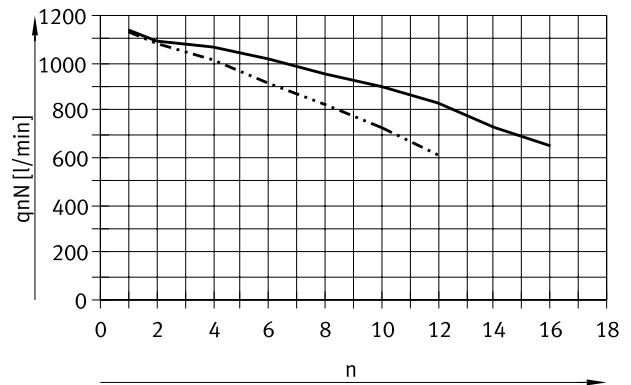
#### Size 25 – Standard nominal flow rate $q_{nN}$ , with several valves $n$ switched in parallel

For 3/2-way valves



- Standard nominal flow rate per valve on standard manifold rail
- · - · - Standard nominal flow rate per valve on compact manifold rail

For 5/2- and 5/3-way valves



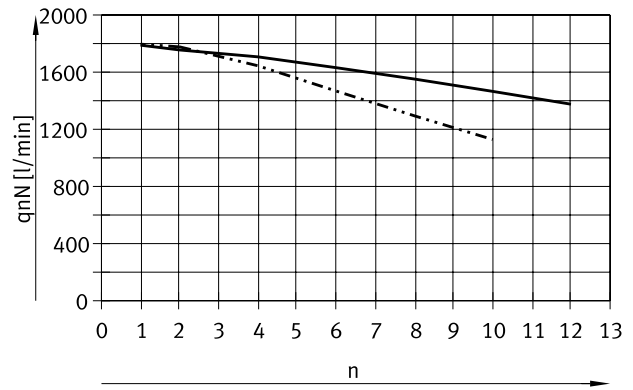
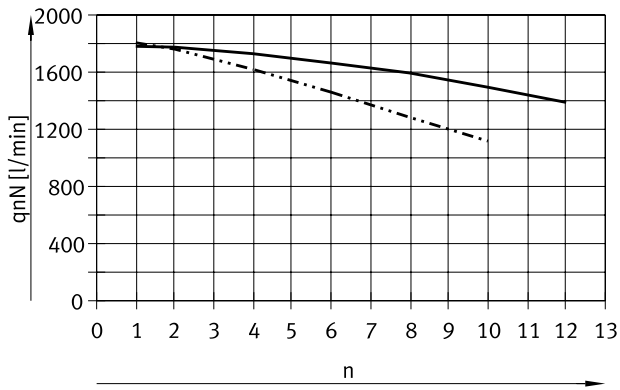
- Standard nominal flow rate per valve on standard manifold rail
- · - · - Standard nominal flow rate per valve on compact manifold rail

## Key features – Pneumatic components VUWS-L

### Size 30 – Standard nominal flow rate $q_{nN}$ , with several valves $n$ switched in parallel

For 3/2-way valves

For 5/2- and 5/3-way valves



— Standard nominal flow rate per valve on standard manifold rail

- - - Standard nominal flow rate per valve on compact manifold rail

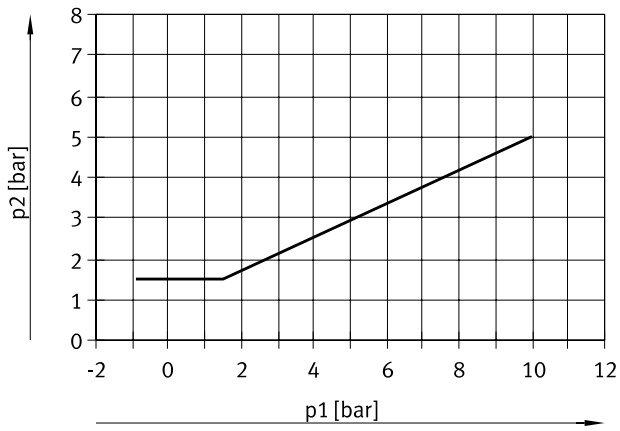
— Standard nominal flow rate per valve on standard manifold rail

- - - Standard nominal flow rate per valve on compact manifold rail

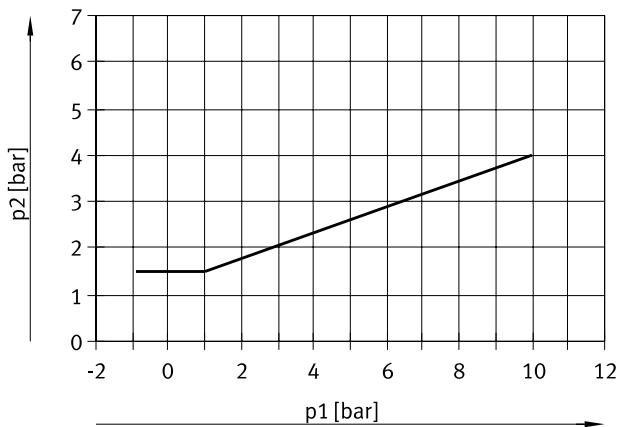
## Key features – VUWS-LT pneumatics

**Size 20 – Pilot pressure  $p_2$  as a function of working pressure  $p_1$** 

For 3/2-way valves

**Size 25 – Pilot pressure  $p_2$  as a function of working pressure  $p_1$** 

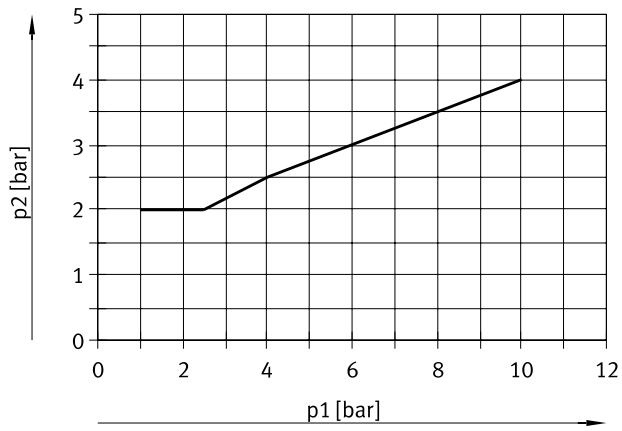
For 3/2-way valves



## Key features – VUWS-LT pneumatics

### Size 30 – Pilot pressure $p_2$ as a function of working pressure $p_1$

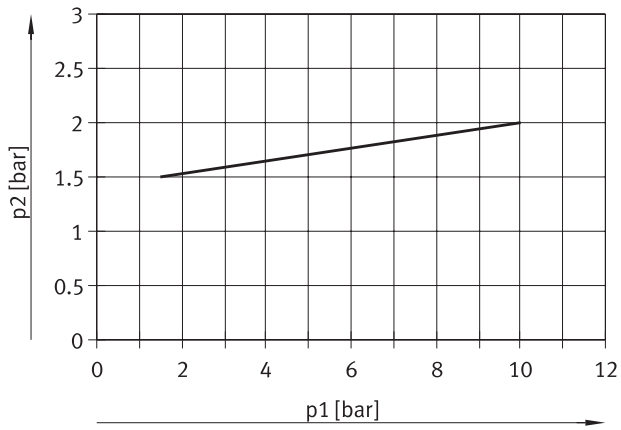
For 3/2-way valves



For 5/2-way monostable valves



For 5/2-way bistable valves

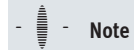




## Key features – Mounting

### Mounting the valve manifold assembly

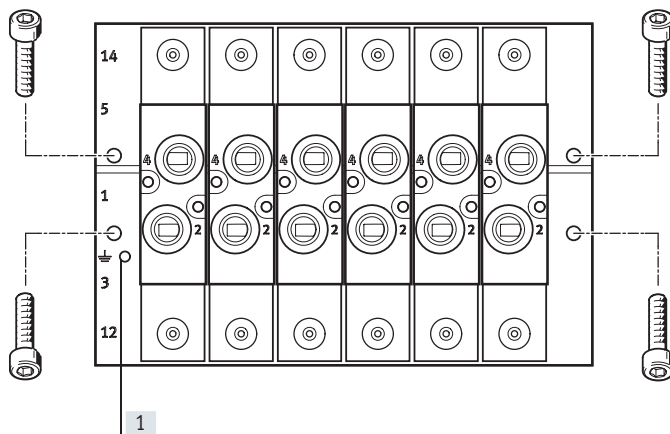
- Sturdy manifold assembly thanks to:
- Four through-holes for wall mounting
  - H-rail mounting



#### Note

Use the thread M4 (M5 for size 30) provided on the manifold block for earthing the valve manifold assembly.

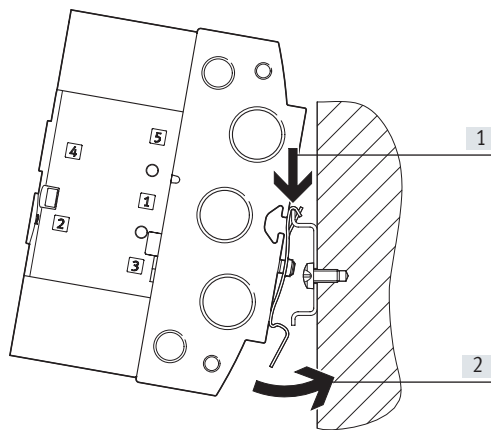
### Wall mounting



Sturdy wall mounting of the manifold block using four through-holes.

[1] Earth terminal

### H-rail mounting



The H-rail mounting VAME-T-M... consists of two mounting clips. These are screwed to the manifold block on the left and right.

The prepared manifold block is then lowered onto the H-rail from above (arrow 1) and clipped into the H-rail at the bottom (arrow 2).



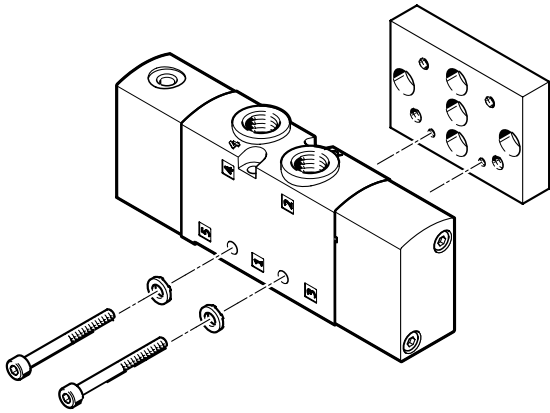
#### Note

- Note the max. tightening torque of the screws for H-rail mounting.
- Only horizontal H-rail mounting is permissible
- Mounting only permissible on H-rail TH 35-... to EN 60715
- Vibration/shock loads are not permissible with H-rail mounting.
- Further information on assembly → Assembly instructions for H-rail mounting VAME-T-M...

## Key features – Mounting

### Mounting individual valve VUWS

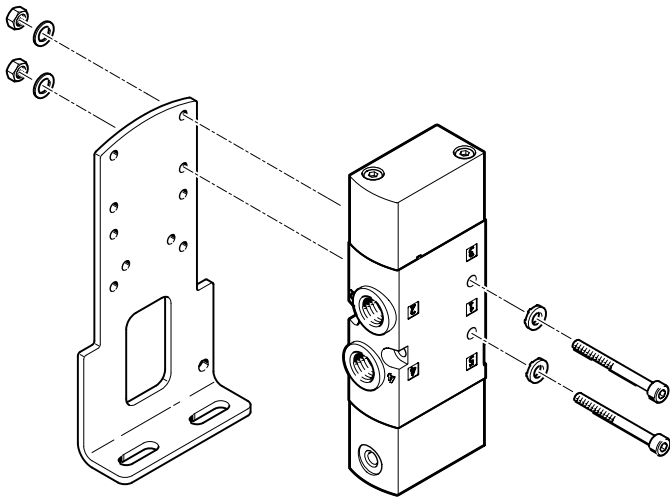
#### Wall mounting



For mounting individual valves on a flat surface, e.g. aluminium profile systems.  
The pneumatic valves are provided with two through-holes for attaching to the wall mounting VAME-B10-20-W.

The screw set required is included with the wall mounting VAME-B10-20-W. The wall mounting VAME-B10-20-W can be used for sizes 20, 25 and 30.

#### Foot mounting



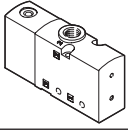
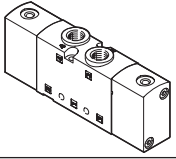
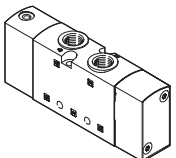
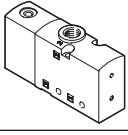
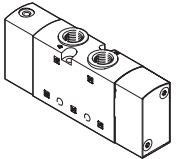
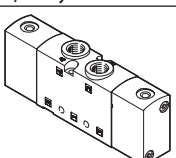
For mounting individual valves on a flat surface, e.g. aluminium profile systems.  
The pneumatic valves are provided with two through-holes for attaching to the foot mounting VAME-B10-...-A.

The screw set required is included with the foot mounting VAME-B10-...-A.

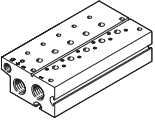
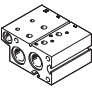
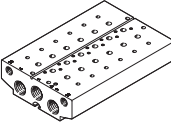
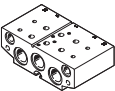
#### Note

Further mounting options for foot mounting VAME-B10-...-A  
→ Data sheet – Pneumatic valves, dimensions

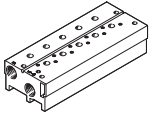
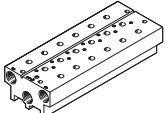
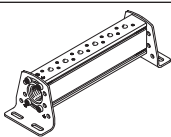
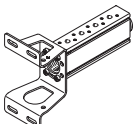
## Product range overview

| Design  | Size | Working port | Order code for valves and flow rate [l/min] |      |      |      |      |      |      |      |      |      | → Page/<br>Internet |
|---|------|--------------|---|------|------|------|------|------|------|------|------|------|---------------------|
|   |      |              | M32C  | M32U | T32C | T32U | T32H | M52  | B52  | P53C | P53E | P53U |                     |
| <b>3/2-way valve VUWS-LT</b>  |      |              |   |      |      |      |      |      |      |      |      |      |                     |
|    | 20   | G1/8         | 600   | 600  | -    | -    | -    | -    | -    | -    | -    | -    | 44                  |
|   | 25   | G1/4         | 1000  | 1000 | -    | -    | -    | -    | -    | -    | -    | -    | 61                  |
|   | 30   | G3/8         | 1600  | 1600 | -    | -    | -    | -    | -    | -    | -    | -    | 64                  |
| <b>2x 3/2-way valve VUWS-LT</b>   |      |              |   |      |      |      |      |      |      |      |      |      |                     |
|    | 20   | G1/8         | -   | -    | 600  | 600  | 600  | -    | -    | -    | -    | -    | 44                  |
|   | 25   | G1/4         | -   | -    | 1000 | 1000 | 1000 | -    | -    | -    | -    | -    | 61                  |
|   | 30   | G3/8         | -   | -    | 1600 | 1600 | 1600 | -    | -    | -    | -    | -    | 64                  |
| <b>5/2-way valve VUWS-LT</b>  |      |              |   |      |      |      |      |      |      |      |      |      |                     |
|    | 20   | G1/8         | -   | -    | -    | -    | -    | 500  | 500  | -    | -    | -    | 44                  |
|   | 25   | G1/4         | -   | -    | -    | -    | -    | 1000 | 1000 | -    | -    | -    | 61                  |
|   | 30   | G3/8         | -   | -    | -    | -    | -    | 1800 | 1800 | -    | -    | -    | 64                  |
| <b>3/2-way valve VUWS-L</b>   |      |              |   |      |      |      |      |      |      |      |      |      |                     |
|   | 20   | G1/8         | 700   | 700  | -    | -    | -    | -    | -    | -    | -    | -    | 82                  |
|   | 25   | G1/4         | 1000  | 1000 | -    | -    | -    | -    | -    | -    | -    | -    | 92                  |
|   | 30   | G3/8         | 2300  | 2300 | -    | -    | -    | -    | -    | -    | -    | -    | 102                 |
| <b>5/2-way valve VUWS-L</b>   |      |              |   |      |      |      |      |      |      |      |      |      |                     |
|  | 20   | G1/8         | -   | -    | -    | -    | -    | 700  | 700  | -    | -    | -    | 82                  |
|   | 25   | G1/4         | -   | -    | -    | -    | -    | 1300 | 1300 | -    | -    | -    | 92                  |
|   | 30   | G3/8         | -   | -    | -    | -    | -    | 2300 | 2300 | -    | -    | -    | 102                 |
| <b>5/3-way valve VUWS-L</b>   |      |              |   |      |      |      |      |      |      |      |      |      |                     |
|  | 20   | G1/8         | -   | -    | -    | -    | -    | -    | -    | 700  | 600  | 600  | 82                  |
|   | 25   | G1/4         | -   | -    | -    | -    | -    | -    | -    | 1200 | 1000 | 1000 | 92                  |
|   | 30   | G3/8         | -   | -    | -    | -    | -    | -    | -    | 2000 | 1600 | 1600 | 102                 |

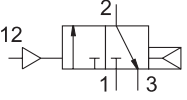
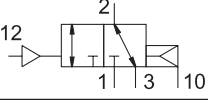
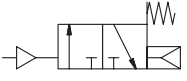
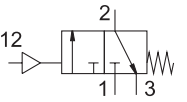
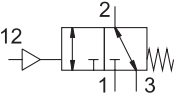
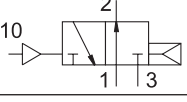
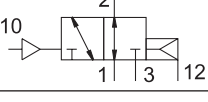
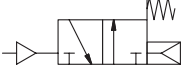
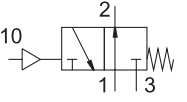
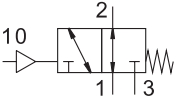
## Product range overview

| Design   | Size | Description                 |                 | → Page/<br>Internet |
|--|------|-----------------------------|-----------------|---------------------|
| <b>Manifold block for 3/2-way valves, standard</b>                               |      |                             |                 |                     |
|  | 20   | VABM-B10-20E-G38- ... -P3   | Connection G3/8 | 112                 |
|  | 25   | VABM-B10-25E-G12- ... -P3   | Connection G1/2 | 125                 |
|  | 30   | VABM-B10-30E-G34- ... -P3   | Connection G3/4 | 138                 |
| <b>Manifold block extension module for 3/2-way valves, standard</b>              |      |                             |                 |                     |
|  | 20   | VABM-B10-20EEE-G38- ... -P3 | Connection G3/8 | 112                 |
|  | 25   | VABM-B10-25EEE-G12- ... -P3 | Connection G1/2 | 125                 |
|  | 30   | VABM-B10-30EEE-G34- ... -P3 | Connection G3/4 | 138                 |
| <b>Manifold block for 5/2- and 5/3-way valves, standard</b>                      |      |                             |                 |                     |
|  | 20   | VABM-B10-20E-G38- ...       | Connection G3/8 | 112                 |
|  | 25   | VABM-B10-25E-G12- ...       | Connection G1/2 | 125                 |
|  | 30   | VABM-B10-30E-G34- ...       | Connection G3/4 | 138                 |
| <b>Manifold block extension module for 5/2- and 5/3-way valves, standard</b>     |      |                             |                 |                     |
|  | 20   | VABM-B10-20EEE-G38- ...     | Connection G3/8 | 112                 |
|  | 25   | VABM-B10-25EEE-G12- ...     | Connection G1/2 | 125                 |
|  | 30   | VABM-B10-30EEE-G34- ...     | Connection G3/4 | 138                 |

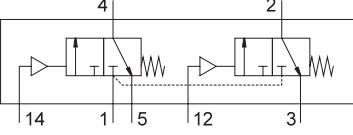
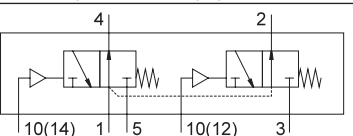
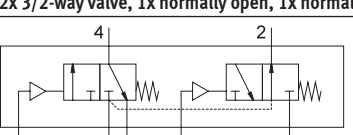
## Product range overview

| Design   | Size | Description                 |                 | → Page/<br>Internet |
|--|------|-----------------------------|-----------------|---------------------|
| <b>Manifold block for 3/2-way valves, compact</b>                                  |      |                             |                 |                     |
|   | 20   | VABM-B10-20S-G14- ...-P3    | Connection G1/4 | 112                 |
|  | 25   | VABM-B10-25S-G38- ...-P3    | Connection G3/8 | 125                 |
|  | 30   | VABM-B10-30S-G12- ...-P3    | Connection G1/2 | 138                 |
| <b>Manifold block for 5/2- and 5/3-way valves, compact</b>                         |      |                             |                 |                     |
|   | 20   | VABM-B10-20S-G14- ...       | Connection G1/4 | 112                 |
|  | 25   | VABM-B10-25S-G38- ...       | Connection G3/8 | 125                 |
|  | 30   | VABM-B10-30S-G12- ...       | Connection G1/2 | 138                 |
| <b>Common supply manifold, for mounting on both sides</b>                          |      |                             |                 |                     |
|   | 20   | VABM-B10-20-G38- ... -P53   | Connection G3/8 | 113                 |
|  | 25   | VABM-B10-25-G12- ... -P53   | Connection G1/2 | 126                 |
|  | 30   | VABM-B10-30-G34- ... -P53   | Connection G3/4 | 139                 |
| <b>Common supply manifold, for mounting on one side</b>                            |      |                             |                 |                     |
|  | 20   | VABM-B10-20-G38- ... -P53-E | Connection G3/8 | 113                 |
|  | 25   | VABM-B10-25-G12- ... -P53-E | Connection G1/2 | 126                 |
|  | 30   | VABM-B10-30-G34- ... -P53-E | Connection G3/4 | 139                 |

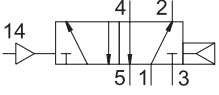
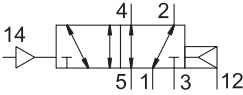
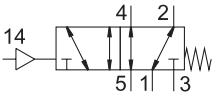
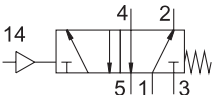
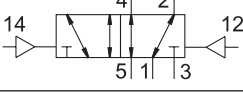
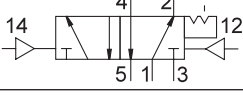
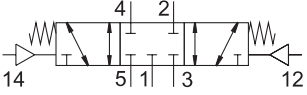
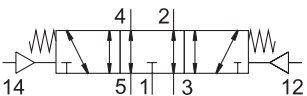
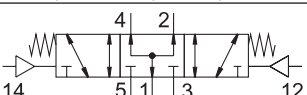
## Valve function

| Valve  | Order code for valves | Description  | VUWS-LT |    |    | VUWS-L |    |    |
|--|-----------------------|--|---------|----|----|--------|----|----|
|  |                       |  | Size    |    |    | Size   |    |    |
|  |                       |  | 20      | 25 | 30 | 20     | 25 | 30 |
| <b>3/2-way valve, normally closed, pneumatic spring</b>                            |                       |  |         |    |    |        |    |    |
|    | M32C-A                | <ul style="list-style-type: none"> <li>Internal pneumatic spring supply</li> <li>Flow direction: not reversible</li> </ul>                                   | -       | -  | -  | ■      | ■  | ■  |
|    | M32C-E                | <ul style="list-style-type: none"> <li>External pneumatic spring supply</li> <li>Flow direction: reversible</li> </ul>                                       | -       | -  | -  | ■      | ■  | ■  |
| <b>3/2-way valve, normally closed, pneumatic/mechanical spring</b>                 |                       |  |         |    |    |        |    |    |
|    | M32C-M                | <ul style="list-style-type: none"> <li>Flow direction: not reversible</li> <li>Reset: mechanical spring, supported internally by pneumatic spring</li> </ul> | -       | -  | -  | ■      | -  | -  |
| <b>3/2-way valve, normally closed, mechanical spring</b>                           |                       |  |         |    |    |        |    |    |
|    | M32C-M                | Flow direction: not reversible   | ■       | ■  | ■  | -      | -  | -  |
|   | M32C-M                | Flow direction: reversible   | -       | -  | -  | -      | ■  | ■  |
| <b>3/2-way valve, normally open, pneumatic spring</b>                              |                       |  |         |    |    |        |    |    |
|  | M32U-A                | <ul style="list-style-type: none"> <li>Internal pneumatic spring supply</li> <li>Flow direction: not reversible</li> <li>Reset: pneumatic spring</li> </ul>  | -       | -  | -  | ■      | ■  | ■  |
|  | M32U-E                | <ul style="list-style-type: none"> <li>External pneumatic spring supply</li> <li>Flow direction: reversible</li> <li>Reset: pneumatic spring</li> </ul>      | -       | -  | -  | ■      | ■  | ■  |
| <b>3/2-way valve, normally open, pneumatic/mechanical spring</b>                   |                       |  |         |    |    |        |    |    |
|  | M32U-M                | <ul style="list-style-type: none"> <li>Flow direction: not reversible</li> <li>Reset: mechanical spring, supported internally by pneumatic spring</li> </ul> | -       | -  | -  | ■      | -  | -  |
| <b>3/2-way valve, normally open, mechanical spring</b>                             |                       |  |         |    |    |        |    |    |
|  | M32U-M                | Flow direction: not reversible   | ■       | ■  | ■  | -      | -  | -  |
|  | M32U-M                | Flow direction: reversible   | -       | -  | -  | -      | ■  | ■  |

Valve function

| Valve   | Order code for valves | Description   | VUWS-LT |    |    | VUWS-L |    |    |
|---|-----------------------|---|---------|----|----|--------|----|----|
|   |                       |   | Size    |    |    | Size   |    |    |
|   |                       |   | 20      | 25 | 30 | 20     | 25 | 30 |
| <b>2x 3/2-way valve, normally closed, mechanical spring</b>                       |                       |   |         |    |    |        |    |    |
|  | T32C                  | <ul style="list-style-type: none"> <li>Internal pilot air supply</li> <li>Flow direction: not reversible</li> </ul> | ■       | ■  | ■  | -      | -  | -  |
| <b>2x 3/2-way valve, normally open, mechanical spring</b>                         |                       |   |         |    |    |        |    |    |
|  | T32U                  | <ul style="list-style-type: none"> <li>Internal pilot air supply</li> <li>Flow direction: not reversible</li> </ul> | ■       | ■  | ■  | -      | -  | -  |
| <b>2x 3/2-way valve, 1x normally open, 1x normally closed, mechanical spring</b>  |                       |   |         |    |    |        |    |    |
|  | T32H                  | <ul style="list-style-type: none"> <li>Internal pilot air supply</li> <li>Flow direction: not reversible</li> </ul> | ■       | ■  | ■  | -      | -  | -  |

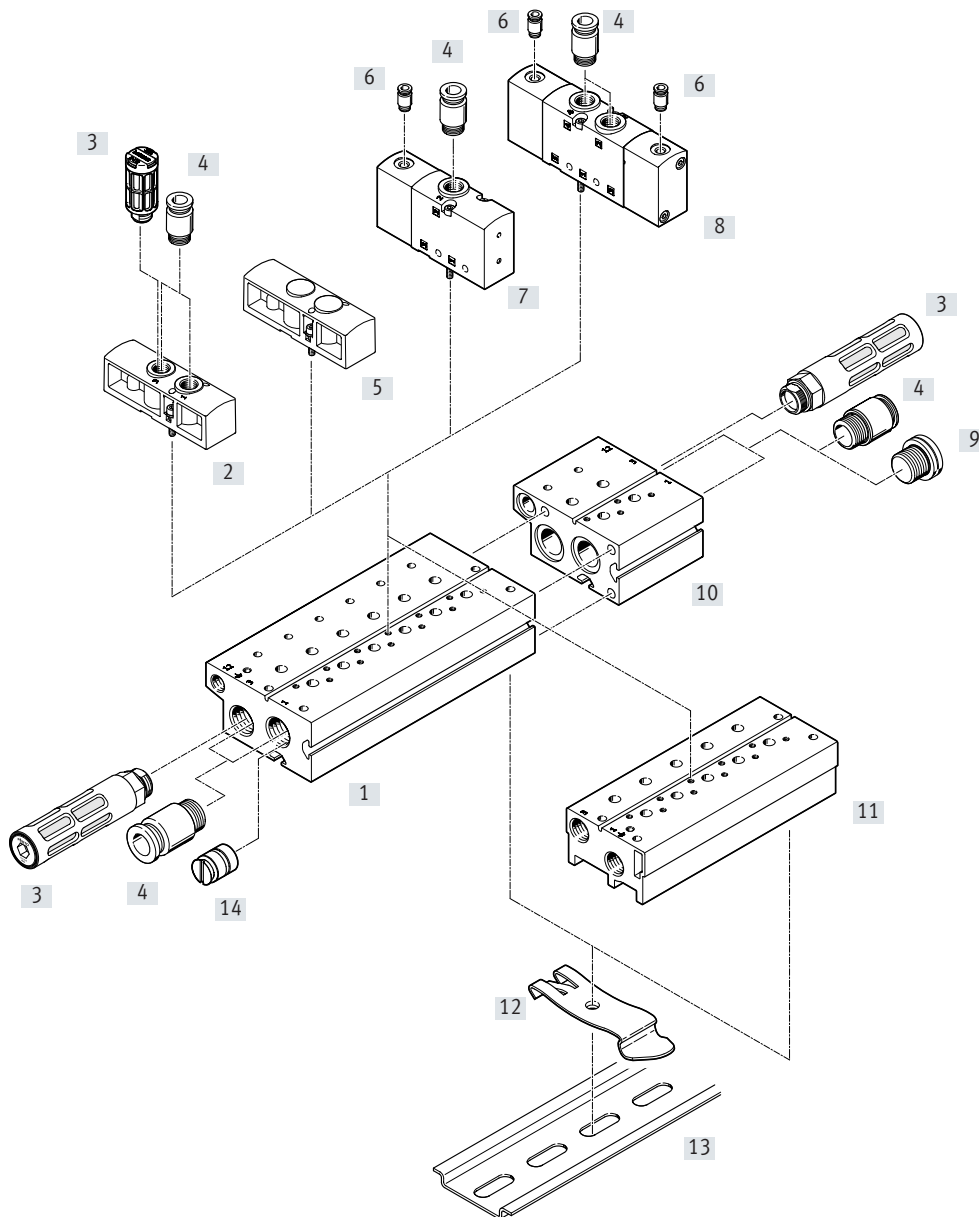
### Valve function

| Valve  | Order code for valves | Description   | VUWS-LT |    |    | VUWS-L |    |    |
|--|-----------------------|---|---------|----|----|--------|----|----|
|  |                       |   | Size    |    |    | Size   |    |    |
|  |                       |   | 20      | 25 | 30 | 20     | 25 | 30 |
| <b>5/2-way valve, pneumatic spring, monostable</b>                                 |                       |   |         |    |    |        |    |    |
|    | M52-A                 | <ul style="list-style-type: none"> <li>Internal pneumatic spring supply</li> <li>Flow direction: not reversible</li> </ul>          | -       | -  | -  | ■      | ■  | ■  |
|    | M52-E                 | <ul style="list-style-type: none"> <li>External pneumatic spring supply</li> <li>Flow direction: reversible</li> </ul>              | -       | -  | -  | ■      | ■  | ■  |
| <b>5/2-way valve, mechanical spring, monostable</b>                                |                       |   |         |    |    |        |    |    |
|    | M52-M                 | Flow direction: reversible  | -       | -  | -  | ■      | ■  | ■  |
|    | M52-M                 | Flow direction: not reversible  | ■       | ■  | ■  | -      | -  | -  |
| <b>5/2-way bistable valve</b>  |                       |   |         |    |    |        |    |    |
|   | B52                   | Flow direction: reversible  | -       | -  | -  | ■      | ■  | ■  |
|  | B52                   | <ul style="list-style-type: none"> <li>Flow direction: not reversible</li> <li>Holding the switching position: via latch</li> </ul> | ■       | ■  | ■  | -      | -  | -  |
| <b>5/3-way valve, mid-position closed</b>  |                       |   |         |    |    |        |    |    |
|  | P53C                  | Flow direction: reversible  | -       | -  | -  | ■      | ■  | ■  |
| <b>5/3-way valve, mid-position exhausted</b>                                       |                       |   |         |    |    |        |    |    |
|  | P53E                  | Flow direction: reversible  | -       | -  | -  | ■      | ■  | ■  |
| <b>5/3-way valve, mid-position pressurised</b>                                     |                       |   |         |    |    |        |    |    |
|  | P53U                  | Flow direction: reversible  | -       | -  | -  | ■      | ■  | ■  |



## Peripherals overview VUWS-LT, VUWS-L

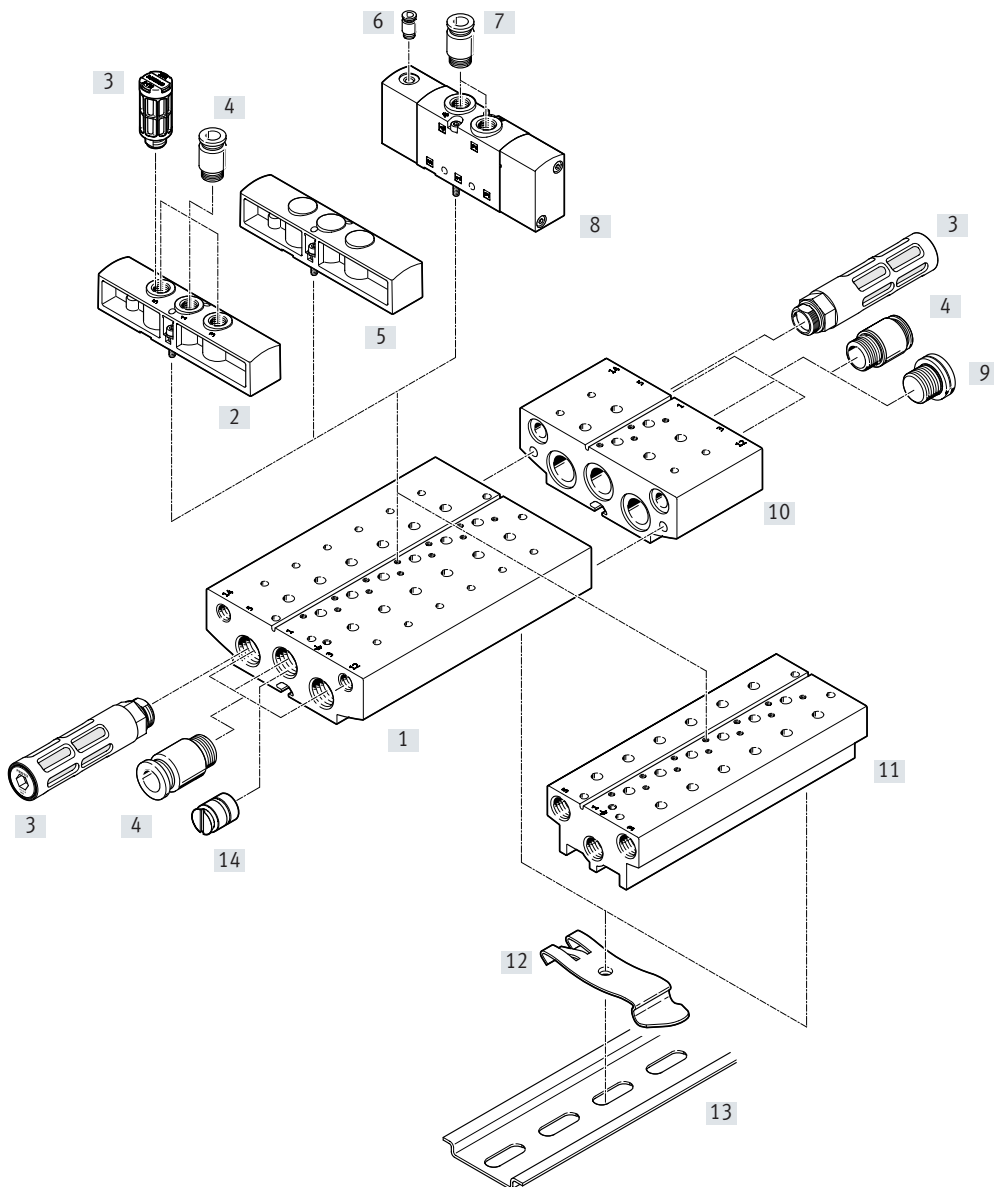
Manifold block for 3/2-way valves



| Accessories |  |  |                 |
|-------------|--|--|-----------------|
| Designation |  | Brief description                                | → Page/Internet |
| [1]         | Standard manifold block                  | For 3/2-way valves                               | 112             |
| [2]         | Supply plate                             | For 3/2-way valves                               | 114             |
| [3]         | Silencer                                 | For exhaust ports (3)                            | 116             |
| [4]         | Push-in fitting                          | For supply/exhaust ports (1, 3)                  | 83              |
| [5]         | Blanking plate                           | VABB-B10-...                                     | 114             |
| [6]         | Push-in fitting                          | M5 for pilot air port                            | 83              |
| [7]         | Pneumatic valve                          | 3/2-way valve                                    | 61              |
| [8]         | Pneumatic valve                          | 2x 3/2-way valve (VUWS-LT...)                    | 54              |
| [9]         | Blanking plug                            | For supply/exhaust ports (1, 3)                  | 116             |
| [10]        | Standard manifold block extension module | For 3/2-way valves                               | 112             |
| [11]        | Compact manifold block                   | For 3/2-way valves                               | 112             |
| [12]        | H-rail mounting                          | For mounting on standard H-rails                 | 116             |
| [13]        | Standard H-rail                          | Mounting rail to EN 60715                        | -               |
| [14]        | Separator                                | For creating pressure zones (in duct 1 and/or 3) | 116             |

Peripherals overview VUWS-LT, VUWS-L

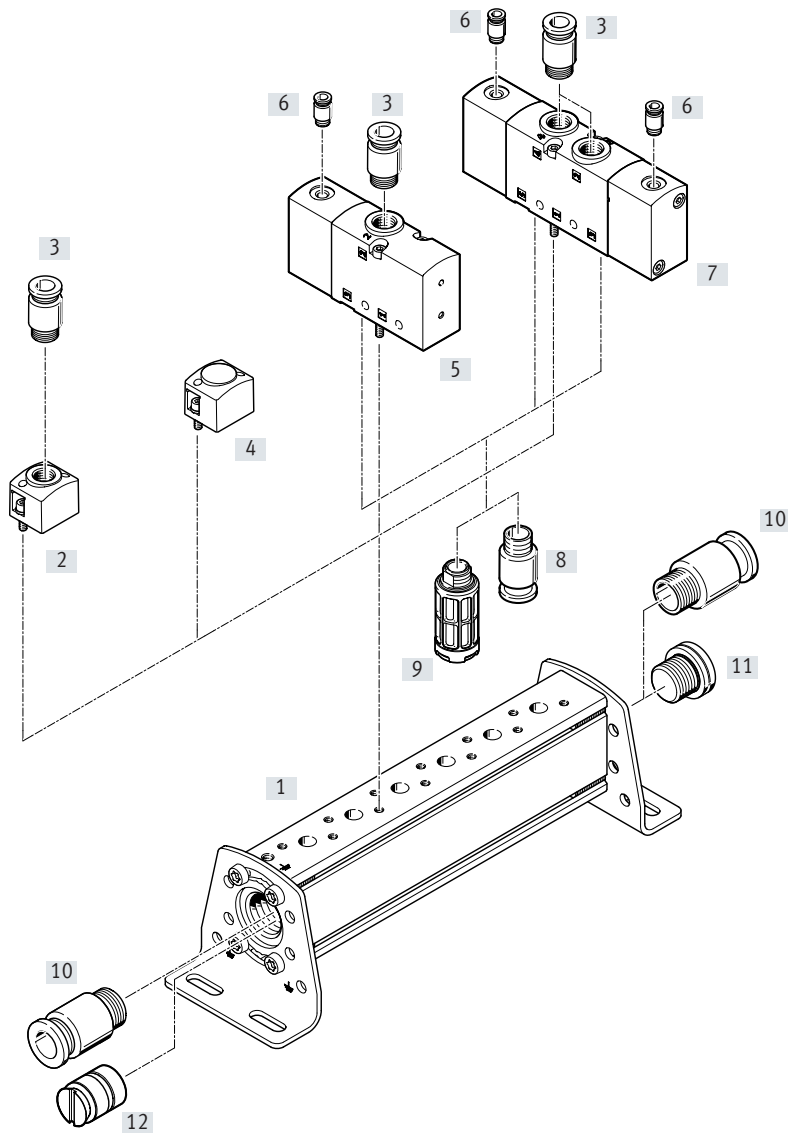
Manifold block for 5/2 and 5/3-way valves



| Accessories                                   |  |  |                 |
|---|--|--|-----------------|
| Designation                                   | Brief description                              |  | → Page/Internet |
| [1] Standard manifold block                   | For 5/2- and 5/3-way valves                    |  | 112             |
| [2] Supply plate                              | For 5/2- and 5/3-way valves                    |  | 114             |
| [3] Silencer                                  | For exhaust ports (5 and/or 3)                 |  | 116             |
| [4] Push-in fitting                           | For supply/exhaust ports (1, 3, 5)             |  | 83              |
| [5] Blanking plate                            | VABB-B10-...                                   |  | 114             |
| [6] Push-in fitting                           | M5 for pilot air port                          |  | 83              |
| [7] Push-in fitting                           | For working ports (2, 4)                       |  | 83              |
| [8] Pneumatic valve                           | 5/2-way, 5/3-way valve                         |  | 61              |
| [9] Blanking plug                             | For supply/exhaust ports (1, 3, 5)             |  | 116             |
| [10] Standard manifold block extension module | For 5/2- and 5/3-way valves                    |  | 112             |
| [11] Compact manifold block                   | For 5/2- and 5/3-way valves                    |  | 112             |
| [12] H-rail mounting                          | For mounting on standard H-rails               |  | 116             |
| [13] Standard H-rail                          | Mounting rail to EN 60715                      |  | -               |
| [14] Separator                                | For creating pressure zones (in ducts 1, 3, 5) |  | 116             |

## Peripherals overview VUWS-LT, VUWS-L

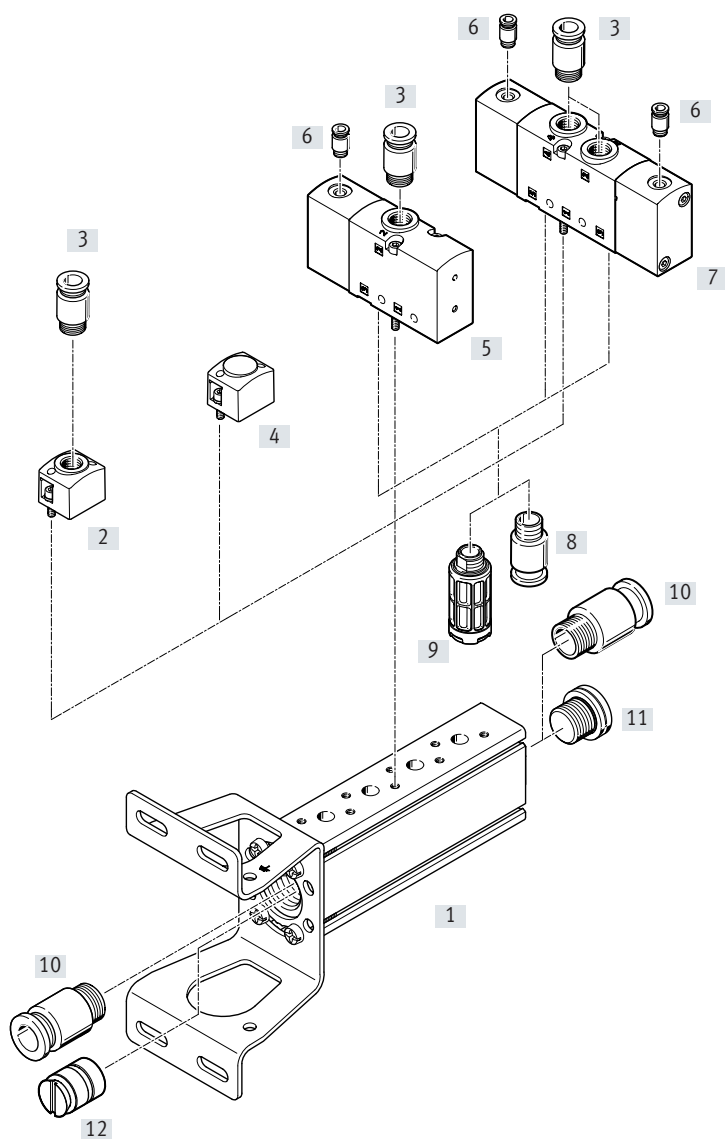
## Common supply manifold for mounting on both sides



| Accessories |                               |   |                 |
|-------------|-------------------------------|---|-----------------|
| Designation |                               | Brief description   | → Page/Internet |
| [1]         | Common supply manifold        | For mounting on both sides<br>Mounting bracket can be adjusted through $\pm 30^\circ$ . | 113             |
| [2]         | Supply plate/air supply plate | For supplying working air (1) (VABF-B10-...-P1...)                                      | 114             |
| [3]         | Push-in fitting               | For supplying air (1) for working ports (2, 4)  | 83              |
| [4]         | Blanking plate                | VABB-B10-...  | 114             |
| [5]         | Pneumatic valve               | 3/2-way valve   | 82              |
| [6]         | Push-in fitting               | M5 for pilot air port   | 83              |
| [7]         | Pneumatic valve               | 5/2-way, 5/3-way valve<br>2x 3/2-way valve (VUWS-LT...)                                 | 61<br>54        |
| [8]         | Push-in fitting               | For exhaust ports (3, 5)  | 83              |
| [9]         | Silencer                      | For exhaust ports (3, 5)  | 116             |
| [10]        | Push-in fitting               | For supplying air (1)   | 115             |
| [11]        | Blanking plug                 | For working port (duct 1)   | 116             |
| [12]        | Separator                     | For creating pressure zones (in duct 1)   | 116             |


## Peripherals overview VUWS-LT, VUWS-L

### Common supply manifold for mounting on one side



| Accessories |                               |   |                 |
|-------------|-------------------------------|---|-----------------|
| Designation |                               | Brief description   | → Page/Internet |
| [1]         | Common supply manifold        | For mounting on one side<br>Mounting bracket can be adjusted through $\pm 30^\circ$ . | 113             |
| [2]         | Supply plate/air supply plate | For supplying working air (1) (VABF-B10-...-P1...)                                    | 114             |
| [3]         | Push-in fitting               | For supplying air (1) for working ports (2, 4)  | 83              |
| [4]         | Blanking plate                | VABB-B10-...  | 114             |
| [5]         | Pneumatic valve               | 3/2-way valve   | 82              |
| [6]         | Push-in fitting               | M5 for pilot air port   | 83              |
| [7]         | Pneumatic valve               | 5/2-way, 5/3-way valve<br>2x 3/2-way valve (VUWS-LT...)                               | 61<br>54        |
| [8]         | Push-in fitting               | For exhaust ports (3, 5)  | 83              |
| [9]         | Silencer                      | For exhaust ports (3, 5)  | 116             |
| [10]        | Push-in fitting               | For supplying air (1)   | 115             |
| [11]        | Blanking plug                 | For working port (duct 1)   | 116             |
| [12]        | Separator                     | For creating pressure zones (in duct 1)   | 116             |

## Data sheet – Valve manifold assembly

-  - Flow rate  
 Size 20:  
 up to 700 l/min  
 Size 25:  
 up to 1300 l/min  
 Size 30  
 up to 2300 l/min



| General technical data           |                         |         | 20  | 25           | 30           |
|----------------------------------|-------------------------|---------|---|--------------|--------------|
| Size                             |                         |         | 20  | 25           | 30           |
| Valve manifold design            |                         |         | Fixed grid  |              |              |
| Valve width                      |                         | [mm]    | 21  | 26.5         | 31           |
| Valve design                     | VUWS-L                  |         | Piston spool  | Piston spool | Piston spool |
|                                  | VUWS-LT                 |         | Poppet seat   | Poppet seat  | Poppet seat  |
| Reset method for valves          | VUWS-L                  |         | Pneumatic or mechanical spring  |              |              |
|                                  | VUWS-LT                 |         | Mechanical spring   |              |              |
| Pneumatic spring                 |                         |         | Internal or external  |              |              |
| Flow direction                   | VUWS-L                  |         | Reversible with restrictions  |              |              |
|                                  | VUWS-LT                 |         | Non-reversible  |              |              |
| Suitable for vacuum              | VUWS-L                  |         | Yes, with restrictions  |              |              |
|                                  | VUWS-LT                 |         | Yes, with restrictions  |              | No           |
| Type of control                  |                         |         | Direct  |              |              |
| Manual override (MO)             |                         |         | None  |              |              |
| Overlap                          | VUWS-L                  |         | Positive overlap  |              |              |
|                                  | VUWS-LT                 |         | Negative overlap  |              |              |
| Sealing principle                |                         |         | Soft  |              |              |
| Max. no. of valve positions      |                         |         | 16 (a maximum of 18 valve positions with extension for standard manifold block) |              |              |
| Max. number of pressure zones    |                         |         | 9   |              |              |
| Exhaust function                 |                         |         | Can be throttled  |              |              |
| Type of actuation                |                         |         | Pneumatic   |              |              |
| Standard nominal flow rate [qnN] |                         | [l/min] | 500...700   | 1000...1300  | 1600...2300  |
| Pilot air connection             | Standard manifold block | 12/14   | G1/8  |              |              |
|                                  | Compact manifold block  | 12/14   | On the valve  |              |              |
|                                  | Common supply manifold  | 12/14   | On the valve  |              |              |
| Pilot exhaust air port           |                         | 82/84   | M5  |              |              |
| Mounting position                |                         |         | Any   |              |              |
| <b>Materials</b>                 |                         |         |   |              |              |
| Note on materials                |                         |         | RoHS-compliant  |              |              |
| Information on materials - seals | VUWS-L                  |         | HNBR, NBR   |              |              |
|                                  | VUWS-LT                 |         | HNBR, NBR, TPE-U(PU)  |              |              |

Data sheet – Valve manifold assembly

| ATEX   |  |                            |                       |                         |                         |                         |   |
|--|--|----------------------------|-----------------------|-------------------------|-------------------------|-------------------------|---|
| ATEX category for gas                        | II 3G  |                            |                       |                         |                         |                         |   |
| Type of ignition protection for gas          | Ex ec IICT4 X Gc   |                            |                       |                         |                         |                         |   |
| ATEX category for dust                       | II 3D  |                            |                       |                         |                         |                         |   |
| Type of ignition protection for dust         | Ex tc IIICT115°C X Dc  |                            |                       |                         |                         |                         |   |
| Explosion-proof ambient temperature [°C]     | -10°C ≤ Ta ≤ +60°C   |                            |                       |                         |                         |                         |   |
| CE marking (see declaration of conformity)   | To EU Explosion Protection Directive (ATEX)  |                            |                       |                         |                         |                         |   |
| Operating and environmental conditions       |  |                            |                       |                         |                         |                         |   |
| Valve design                                 | Piston spool   |                            |                       | Poppet seat             |                         |                         |   |
| Size   | 20   | 25                         | 30                    | 20                      | 25                      | 30                      |   |
| Operating medium                             | Compressed air to ISO 8573-1:2010 [7:4:4]  |                            |                       |                         |                         |                         |   |
| Pilot medium                                 | Compressed air to ISO 8573-1:2010 [7:4:4]  |                            |                       |                         |                         |                         |   |
| Note on operating/pilot medium               | Lubricated operation possible (in which case lubricated operation will always be required) |                            |                       |                         |                         |                         |   |
| Operating pressure [MPa]                     | -0.09 ... +1   | -0.09 ... +1               | -0.09 ... +1          | -0.09 ... +1 (M32, T32) | -0.09 ... +1 (M32, T32) | -                       |   |
|  | -  | -                          | -                     | -                       | -                       | +0.1 ... +1 (32)        |   |
|  | -  | -                          | -                     | +0.15 ... +1 (B52)      | +0.15 ... +1 (B52)      | +0.15 ... +1 (B52)      |   |
|  | +0.25 ... +1 (M32...-A, M32...-M,, M52-A)  | +0.25 ... +1 (M...-A, M52) | +0.25 ... +1 (M...-A) | +0.25 ... +1 (M52)      | +0.25 ... +1 (M52)      | +0.25 ... +1 (M52)      |   |
|  | [bar]  | -0.9 ... +10               | -0.9 ... +10          | -0.9 ... +10            | -0.9 ... +10 (M32, T32) | -0.9 ... +10 (M32, T32) | - |
|  | -  | -                          | -                     | -                       | -                       | +1.0 ... +10 (32)       |   |
|  | +2.5 ... +10 (M32...-A, M32...-M, M52-A)   | +2.5 ... +10 (M...-A, M52) | +2.5 ... +10 (M...-A) | +2.5 ... +10 (M52)      | +2.5 ... +10 (M52)      | +2.5 ... +10 (M52)      |   |
| Pilot pressure [MPa]                         | 0.15 ... 1 (B52)   | 0.15 ... 1 (B52)           | 0.15 ... 1 (B52)      | 0.15 ... 1              | 0.15 ... 1 (B52)        | 0.15 ... 1 (B52)        |   |
|  | 0.25 ... 1   | 0.25 ... 1                 | 0.25 ... 1            | 0.25 ... 1 (M52)        | 0.25 ... 1              | 0.25 ... 1              |   |
|  | [bar]  | 1.5 ... 10 (B52)           | 1.5 ... 10 (B52)      | 1.5 ... 10 (B52)        | 1.5 ... 10              | 1.5 ... 10 (B52)        |   |
|  | 2.5 ... 10   | 2.5 ... 10                 | 2.5 ... 10            | 2.5 ... 10 (M52)        | 2.5 ... 10              | 2.5 ... 10              |   |
| Ambient temperature [°C]                     | -10 ... +60  |                            |                       |                         |                         |                         |   |
| Temperature of medium [°C]                   | -10 ... +60  |                            |                       |                         |                         |                         |   |
| Certification                                | c UL us - Recognized (OL)  |                            |                       |                         |                         |                         |   |
| Corrosion resistance class CRC <sup>1)</sup> | 2  |                            |                       |                         |                         |                         |   |

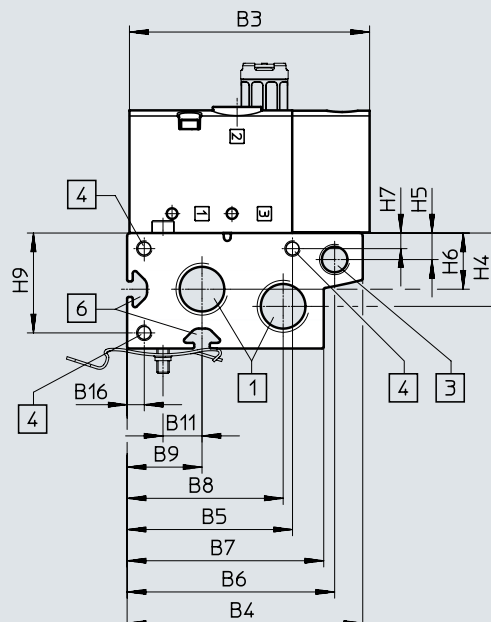
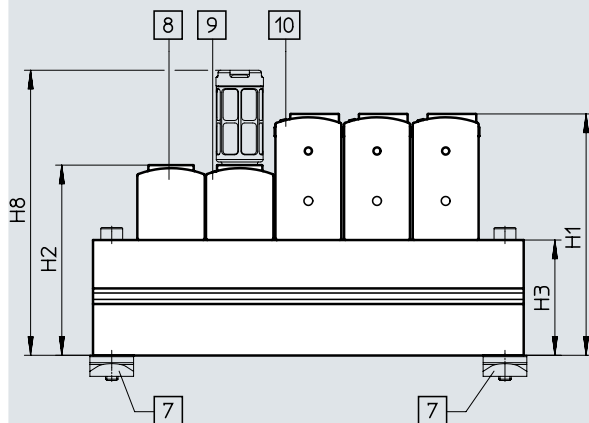
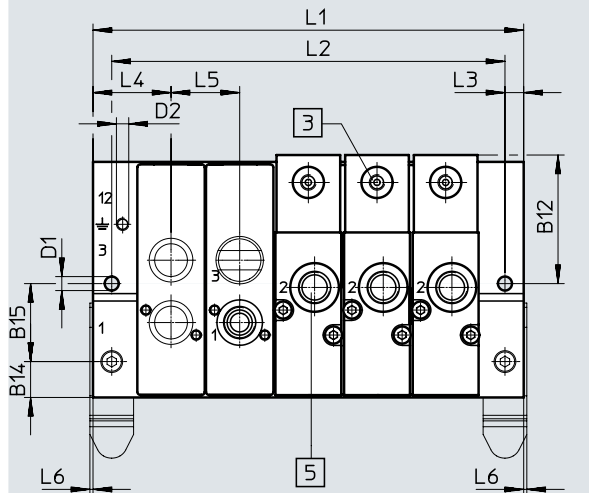
1) More information: [www.festo.com/x/topic/kbk](http://www.festo.com/x/topic/kbk)

## Data sheet

## Dimensions

Download CAD data → [www.festo.com](http://www.festo.com)

With 3/2-way valves, standard manifold rail



- |  |   |   |  |
|--|---|---|--|
| [1] Ports 1 and 3 (at both ends):<br>G3/8 for VTUS 20<br>G1/2 for VTUS 25<br>G3/4 for VTUS 30  | [4] Thread for extension module:<br>M5x15.5 for VTUS 20<br>M5x18 for VTUS 25<br>M5x18 for VTUS 30 | [6] Profile slot IPM-05, system 5   | [9] Supply plate, ports 1 and 3:<br>G1/8 for VTUS 20<br>G1/4 for VTUS 25<br>G3/8 for VTUS 30 |
| [3] Port 12 on the manifold block at both ends: G1/8<br>Port 10 and 12 on the valve:<br>M5 for VTUS 20,<br>M5 for VTUS 25,<br>G1/8 for VTUS 30 | [5] Port 2:<br>G1/8 for VTUS 20<br>G1/4 for VTUS 25<br>G3/8 for VTUS 30                           | [7] H-rail mounting VAME-T-M4 for VTUS 20<br>VAME-T-M5 for VTUS 25<br>VAME-T-M6 for VTUS 30 | [10] 3/2-way valve   |
|  |   | [8] Blanking plate  |  |



## Note

Port 12 on the manifold rail (number 3 in the dimensional drawing) is not used when equipped with pneumatic valves.

Data sheet

| Type    | B3    | B4    | B5   | B6   | B7   | B8   | B9   | B11  | B12  | B14  | B15 | B16 |
|---------|-------|-------|------|------|------|------|------|------|------|------|-----|-----|
| VTUS-20 | 77    | 75.5  | 53   | 66.5 | 63   | 50   | 24   | 12.5 | 41.2 | 11.5 | 25  | 5.5 |
| VTUS-25 | 92    | 93    | 67.5 | 80.5 | 78   | 62   | 30   | 16   | –    | 14   | 32  | 6   |
| VTUS-30 | 109.2 | 108.2 | 79   | 93.2 | 94.7 | 75.7 | 36.2 | 19   | 55.5 | 17.2 | 38  | 6.5 |

| Type    | D1 ø | D2     | H1   | H2 | H3 | H4   | H5  | H6   | H7  | H8    | H9   | L3  | L4   | L5   | L6 |
|---------|------|--------|------|----|----|------|-----|------|-----|-------|------|-----|------|------|----|
| VTUS-20 | 4.5  | M4x6.5 | 77.4 | 61 | 37 | 23.5 | 8.5 | 18   | 5   | 91.4  | 32   | 6   | 25   | 22   | 1  |
| VTUS-25 | 5.5  | M4x9   | 95.5 | 71 | 45 | 25   | 9   | 22   | 5   | 123.4 | 39   | 6   | 29.8 | 27.5 | 1  |
| VTUS-30 | 6.3  | M5x11  | 118  | 91 | 61 | 35   | 9   | 28.5 | 6.5 | 170.1 | 54.5 | 7.2 | 34   | 32   | –  |

| Valve positions |         | 2   | 3     | 4   | 5     | 6   | 7     | 8   | 9     | 10  |
|-----------------|---------|-----|-------|-----|-------|-----|-------|-----|-------|-----|
| VTUS-20         | L1 [mm] | 72  | 94    | 116 | 138   | 160 | 182   | 204 | 226   | 248 |
|                 | L2 [mm] | 60  | 82    | 104 | 126   | 148 | 170   | 192 | 214   | 236 |
| VTUS-25         | L1 [mm] | 87  | 114.5 | 142 | 169.5 | 197 | 224.5 | 252 | 279.5 | 307 |
|                 | L2 [mm] | 75  | 102.5 | 130 | 157.5 | 185 | 212.5 | 240 | 267.5 | 295 |
| VTUS-30         | L1 [mm] | 100 | 132   | 164 | 196   | 228 | 260   | 292 | 324   | 356 |
|                 | L2 [mm] | 85  | 117   | 149 | 181   | 213 | 245   | 277 | 309   | 341 |

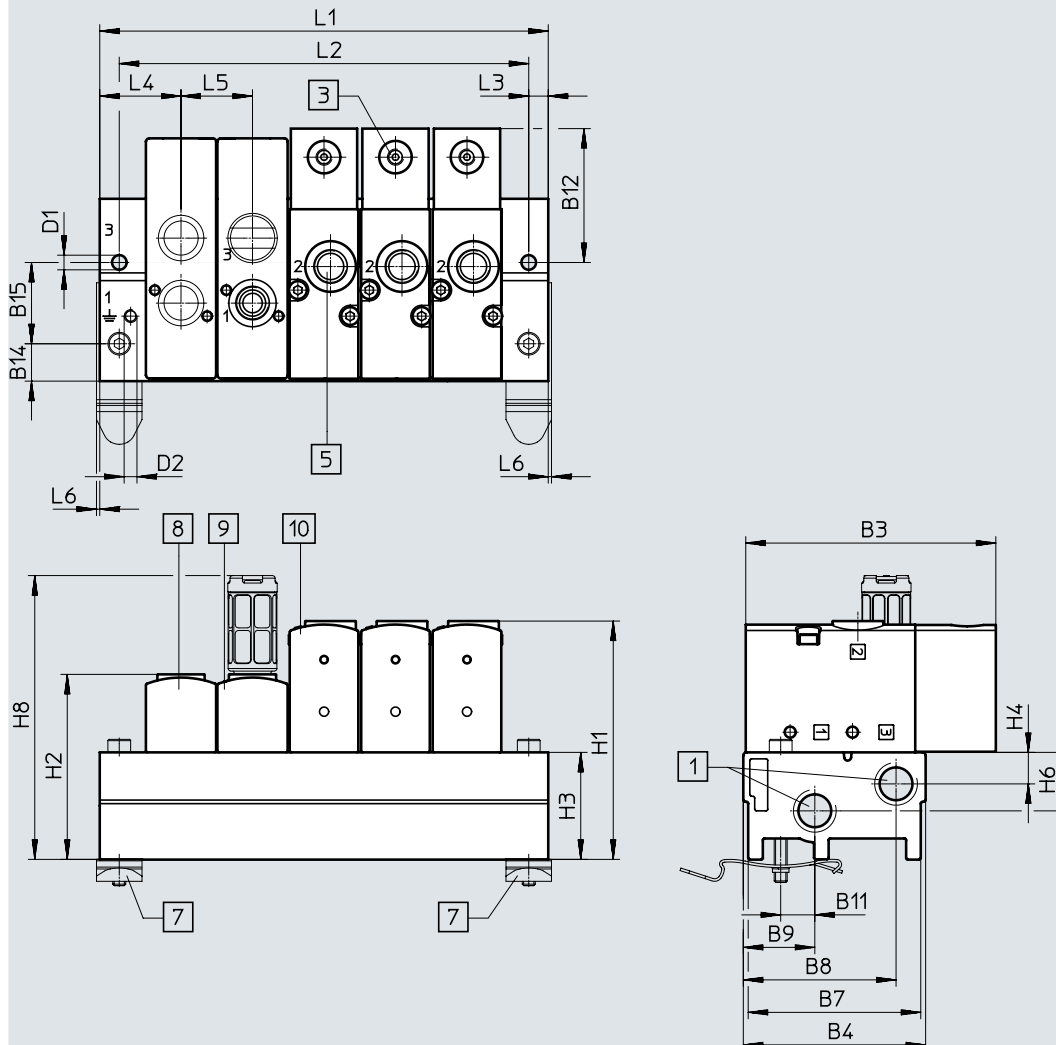


## Data sheet – Valve manifold assembly

### Dimensions – Valve manifold assembly

Download CAD data → [www.festo.com](http://www.festo.com)

With 3/2-way valves, compact manifold rail



- |   |  |  |                    |
|---|--|--|--------------------|
| [1] Ports 1 and 3 (at both ends):<br>G1/4 for VTUS 20<br>G3/8 for VTUS 25<br>G1/2 for VTUS 30 | [5] Port 2:<br>G1/8 for VTUS 20<br>G1/4 for VTUS 25<br>G3/8 for VTUS 30                        | [8] Blanking plate   | [10] 3/2-way valve |
| [3] Ports 10 and 12 on the valve:<br>M5 for VTUS 20<br>M5 for VTUS 25<br>G1/8 for VTUS 30     | [7] H-rail mounting VAME-T-M4 for<br>VTUS 20<br>VAME-T-M5 for VTUS 25<br>VAME-T-M6 for VTUS 30 | [9] Supply plate, ports 1 and 3:<br>G1/8 for VTUS 20<br>G1/4 for VTUS 25<br>G3/8 for VTUS 30 |                    |

Data sheet – Valve manifold assembly

| Type    | B3    | B4   | B7   | B8   | B9 | B11  | B12  | B14  | B15 |
|---------|-------|------|------|------|----|------|------|------|-----|
| VTUS-20 | 77    | 56.1 | 53.1 | 47   | 22 | 10.5 | 41.2 | 11.5 | 25  |
| VTUS-25 | 92    | 70.3 | 67.3 | 58.8 | 30 | 16   | 47   | 14   | 32  |
| VTUS-30 | 109.2 | 83   | 80   | 69.4 | 36 | 19   | 55.5 | 17   | 38  |

| Type    | D1 ø | D2     | H1   | H2   | H3   | H4   | H6 | H8    | L3  | L4   | L5   | L6 |
|---------|------|--------|------|------|------|------|----|-------|-----|------|------|----|
| VTUS-20 | 4.5  | M4x6.5 | 73.4 | 57   | 33   | 9.7  | 18 | 87.4  | 6   | 25   | 22   | 1  |
| VTUS-25 | 5.5  | M4x9   | 84.5 | 60   | 34   | 13.5 | 20 | 112.4 | 6   | 29.8 | 27.5 | 1  |
| VTUS-30 | 6.3  | M5x11  | 99.5 | 72.5 | 42.5 | 17.5 | 26 | 151.6 | 7.5 | 38   | 32   | –  |

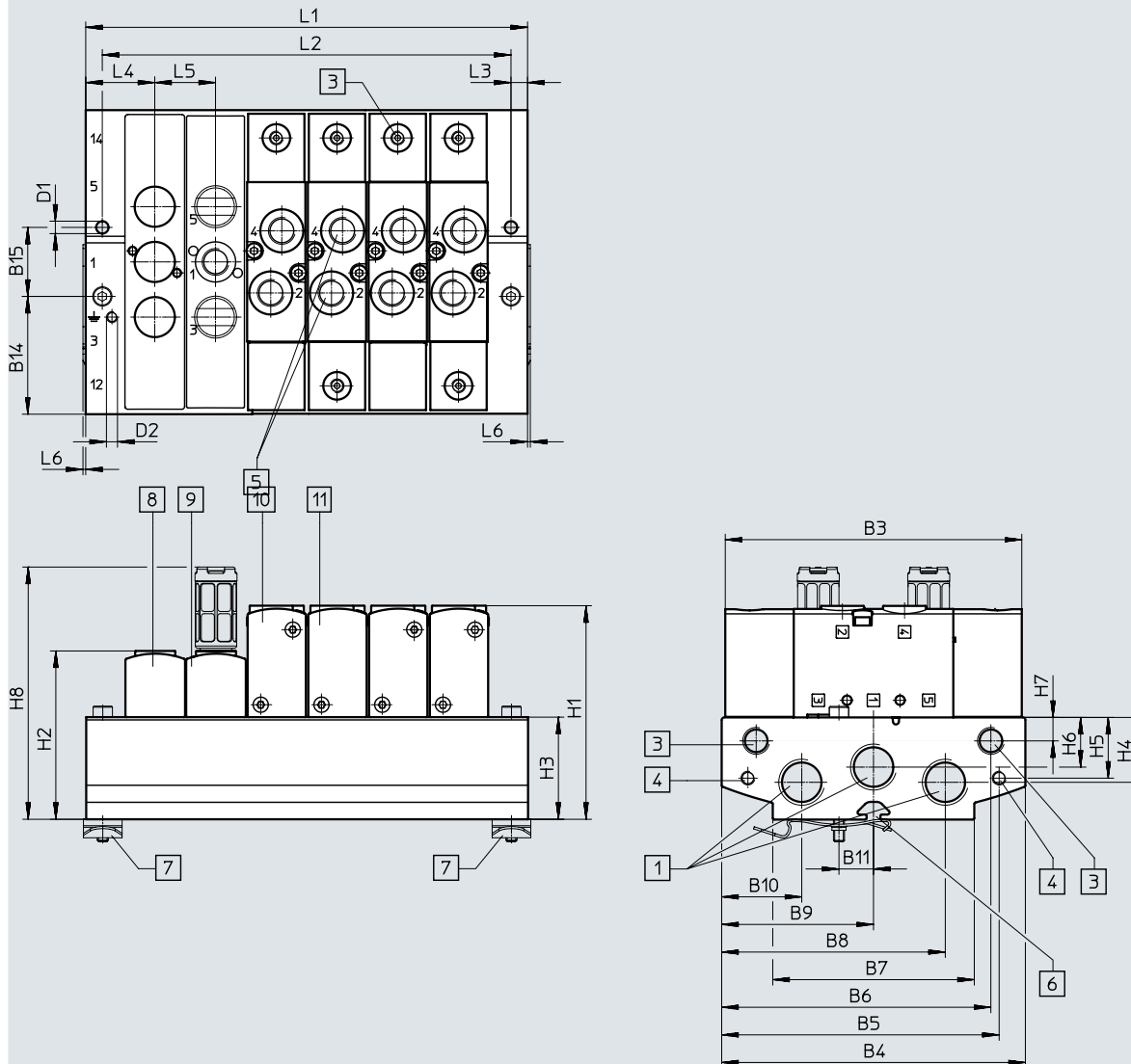
| Valve positions |         | 2   | 3     | 4   | 5     | 6   | 7     | 8   | 9     | 10  |
|-----------------|---------|-----|-------|-----|-------|-----|-------|-----|-------|-----|
| VTUS-20         | L1 [mm] | 72  | 94    | 116 | 138   | 160 | 182   | 204 | 226   | 248 |
|                 | L2 [mm] | 60  | 82    | 104 | 126   | 148 | 170   | 192 | 214   | 236 |
| VTUS-25         | L1 [mm] | 87  | 114.5 | 142 | 169.5 | 197 | 224.5 | 252 | 279.5 | 307 |
|                 | L2 [mm] | 75  | 102.5 | 130 | 157.5 | 185 | 212.5 | 240 | 267.5 | 295 |
| VTUS-30         | L1 [mm] | 100 | 132   | 164 | 196   | 228 | 260   | 292 | 324   | 356 |
|                 | L2 [mm] | 85  | 117   | 149 | 181   | 213 | 245   | 277 | 309   | 341 |

## Data sheet – Valve manifold assembly

### Dimensions – Valve manifold assembly

Download CAD data → [www.festo.com](http://www.festo.com)

With 5/2-, 5/3-way and 2x 3/2-way valves, standard manifold rail



- |   |   |   |   |
|---|---|---|---|
| [1] Ports 1, 3 and 5 (at both ends):<br>G3/8 for VTUS 20<br>G1/2 for VTUS 25<br>G3/4 for VTUS 30  | [4] Thread for extension module:<br>M5x15.5 for VTUS 20<br>M5x18 for VTUS 25<br>M5x18 for VTUS 30 | [6] Profile slot IPM-05, system 5   | [9] Supply plate. Ports 1, 3 and 5:<br>G1/8 for VTUS 20<br>G1/4 for VTUS 25<br>G3/8 for VTUS 30   |
| [3] Port 12 and 14 on the manifold block at both ends: G1/8<br>Port 10 and 12 on the valve:<br>M5 for VTUS 20,<br>M5 for VTUS 25,<br>G1/8 for VTUS 30 | [5] Ports 2 and 4: G1/8 for VTUS 20<br>G1/4 for VTUS 25<br>G3/8 for VTUS 30                       | [7] H-rail mounting VAME-T-M4 for VTUS 20<br>VAME-T-M5 for VTUS 25<br>VAME-T-M6 for VTUS 30 | [10] 5/2-way monostable valve<br>[11] 5/2-way bistable valve or 5/3-way valve or 2x 3/2-way valve |
|   |   | [8] Blanking plate  |   |

### Note

Port 12 on the manifold rail (number 3 in the dimensional drawing) is not used when equipped with pneumatic valves.

Data sheet – Valve manifold assembly

| Type    | B3    | B4  | B5    | B6    | B7  | B8    | B9 | B10  | B11  | B14  | B15 |
|---------|-------|-----|-------|-------|-----|-------|----|------|------|------|-----|
| VTUS-20 | 107.4 | 110 | 100.5 | 97.5  | 73  | 81    | 55 | 29   | 12.5 | 42.5 | 25  |
| VTUS-25 | 126   | 126 | 119   | 113.5 | 80  | 95    | 63 | 31   | 16   | 47   | 32  |
| VTUS-30 | 149   | 144 | 137   | 129   | 104 | 111.5 | 72 | 32.5 | 19   | 53   | 38  |

| Type    | D1 ø | D2     | H1   | H2 | H3 | H4   | H5 | H6   | H7  | H8    | L3  | L4   | L5   | L6 |
|---------|------|--------|------|----|----|------|----|------|-----|-------|-----|------|------|----|
| VTUS-20 | 4.5  | M4x6.5 | 77.4 | 61 | 37 | 23.5 | 22 | 18   | 8.5 | 91.4  | 6   | 25   | 22   | 1  |
| VTUS-25 | 5.5  | M4x9   | 95.5 | 71 | 45 | 25   | 22 | 22   | 9   | 123.4 | 6   | 29.8 | 27.5 | 1  |
| VTUS-30 | 6.3  | M5x11  | 118  | 91 | 61 | 35   | 22 | 28.5 | 9   | 170.1 | 7.5 | 34   | 32   | –  |

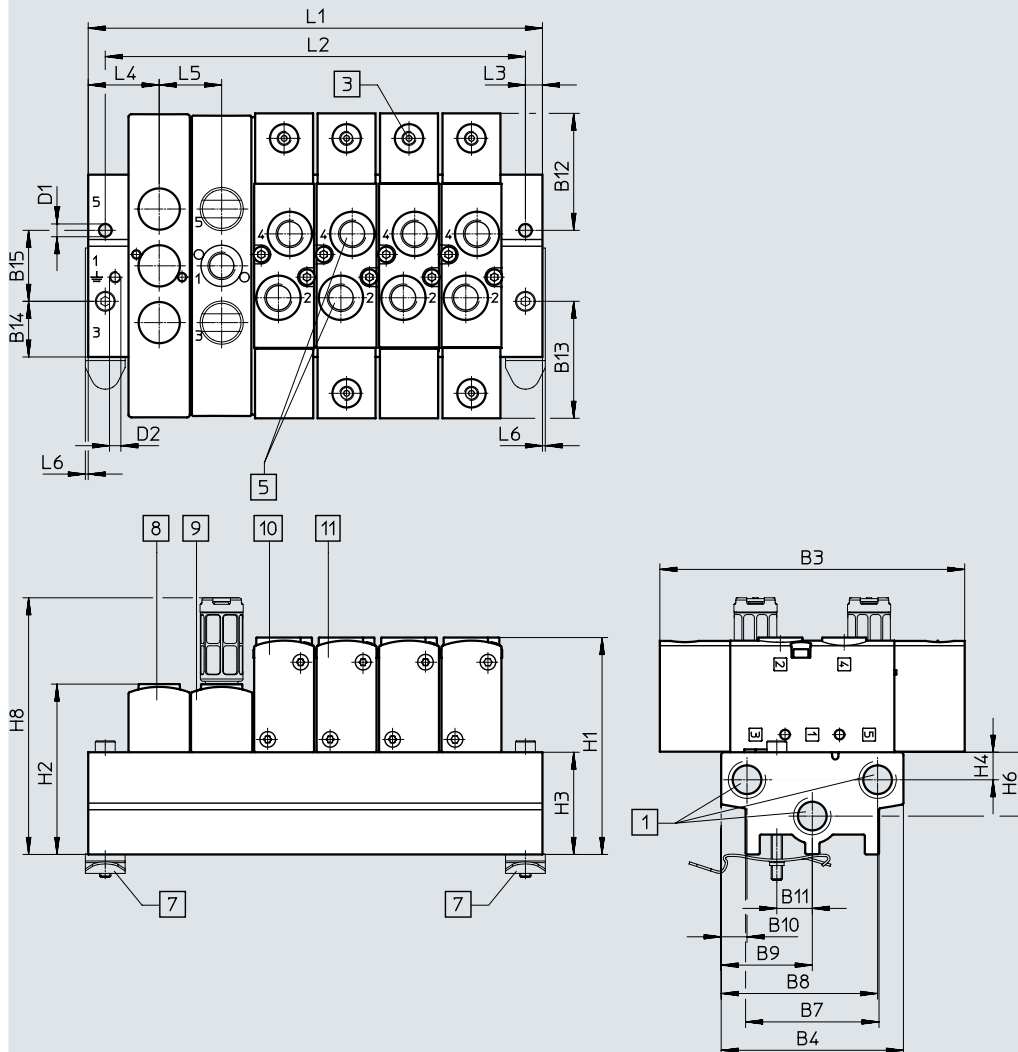
| Valve positions |         | 2   | 3     | 4   | 5     | 6   | 7     | 8   | 9     | 10  |
|-----------------|---------|-----|-------|-----|-------|-----|-------|-----|-------|-----|
| VTUS-20         | L1 [mm] | 72  | 94    | 116 | 138   | 160 | 182   | 204 | 226   | 248 |
|                 | L2 [mm] | 60  | 82    | 104 | 126   | 148 | 170   | 192 | 214   | 236 |
| VTUS-25         | L1 [mm] | 87  | 114.5 | 142 | 169.5 | 197 | 224.5 | 252 | 279.5 | 307 |
|                 | L2 [mm] | 75  | 102.5 | 130 | 157.5 | 185 | 212.5 | 240 | 267.5 | 295 |
| VTUS-30         | L1 [mm] | 100 | 132   | 164 | 196   | 228 | 260   | 292 | 324   | 356 |
|                 | L2 [mm] | 85  | 117   | 149 | 181   | 213 | 245   | 277 | 309   | 341 |

## Data sheet – Valve manifold assembly

### Dimensions – Valve manifold assembly

Download CAD data → [www.festo.com](http://www.festo.com)

With 5/2-, 5/3-way and 2x 3/2-way valves, compact manifold rail



- |  |   |   |  |
|--|---|---|--|
| [1] Ports 1, 3 and 5 (at both ends):<br>G1/4 for VTUS 20<br>G3/8 for VTUS 25<br>G1/2 for VTUS 30 | [5] Ports 2 and 4: G1/8 for VTUS 20<br>G1/4 for VTUS 25<br>G3/8 for VTUS 30                 | [8] Blanking plate  | [10] 5/2-way monostable valve                                    |
| [3] Port 12 and 14 on the valve:<br>M5 for VTUS 20,<br>M5 for VTUS 25,<br>G1/8 for VTUS 30       | [7] H-rail mounting VAME-T-M4 for VTUS 20<br>VAME-T-M5 for VTUS 25<br>VAME-T-M6 for VTUS 30 | [9] Supply plate, ports 1, 3 and 5:<br>G1/8 for VTUS 20<br>G1/4 for VTUS 25<br>G3/8 for VTUS 30 | [11] 5/2-way bistable valve or 5/3-way valve or 2x 3/2-way valve |

Data sheet – Valve manifold assembly

| Type    | B3    | B4   | B7   | B8   | B9   | B10  | B11  | B12  | B13  | B14  | B15 |
|---------|-------|------|------|------|------|------|------|------|------|------|-----|
| VTUS-20 | 107.4 | 64.2 | 47   | 55.1 | 32.1 | 9.1  | 12.5 | 41.2 | 41.2 | 19.6 | 25  |
| VTUS-25 | 126   | 80.5 | 61.5 | 69   | 40.3 | 11.5 | 16   | 47   | 47   | 24.3 | 32  |
| VTUS-30 | 149   | 94   | 77   | 80.4 | 47   | 13.6 | 19   | 55.5 | 55.5 | 28   | 38  |

| Type    | D1 ø | D2     | H1   | H2   | H3   | H4   | H6   | H8    | L3  | L4   | L5   | L6 |
|---------|------|--------|------|------|------|------|------|-------|-----|------|------|----|
| VTUS-20 | 4.5  | M4x6.5 | 76.4 | 60   | 36   | 9.7  | 22.5 | 90.4  | 6   | 25   | 22   | 1  |
| VTUS-25 | 5.5  | M4x9   | 84.5 | 60   | 34   | 13.5 | 20   | 112.1 | 6   | 29.8 | 27.5 | 1  |
| VTUS-30 | 6.3  | M5x11  | 99.5 | 72.5 | 42.5 | 17.5 | 26   | 151.6 | 7.5 | 34   | 32   | –  |

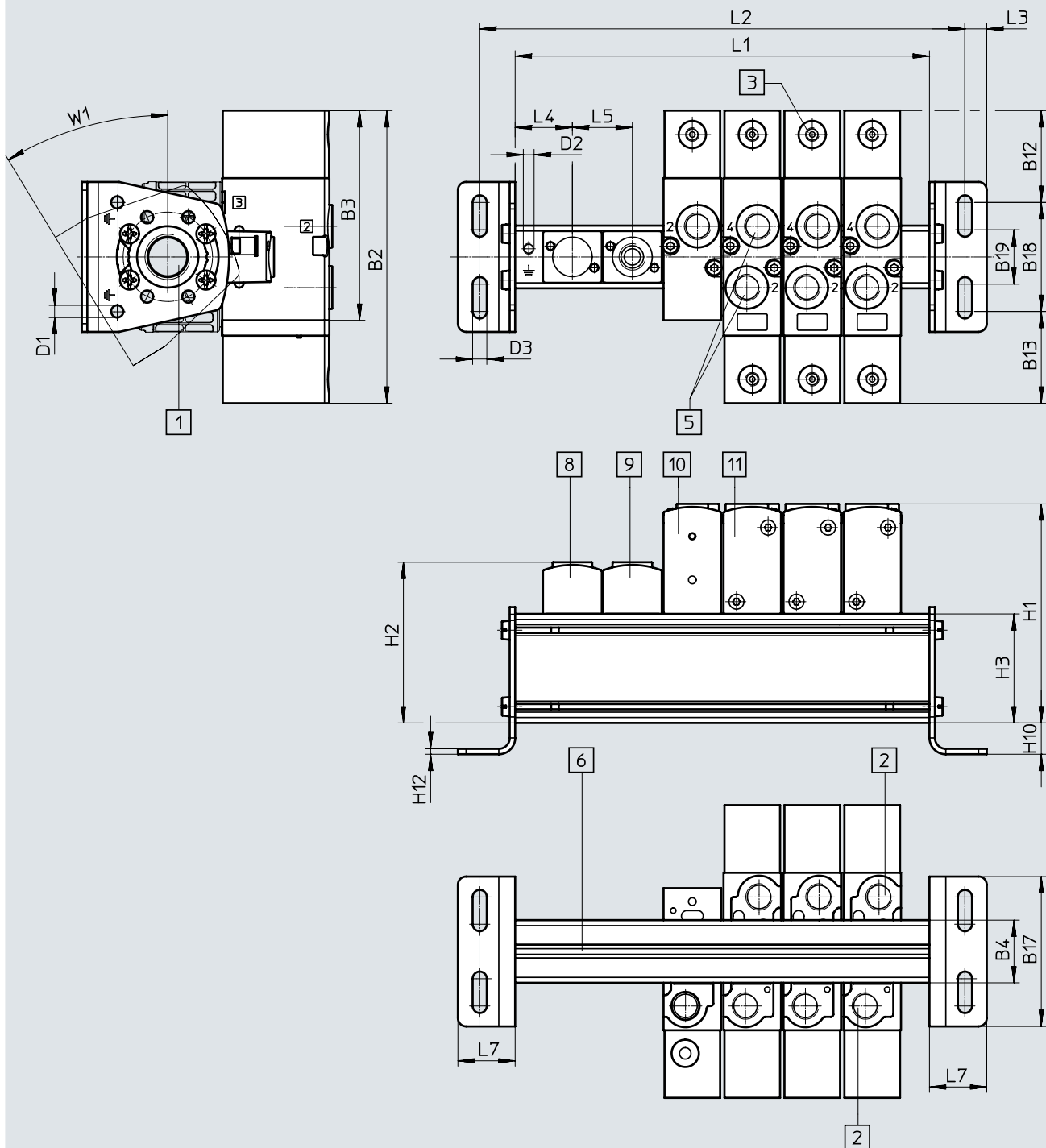
| Valve positions |         | 2   | 3     | 4   | 5     | 6   | 7     | 8   | 9     | 10  |
|-----------------|---------|-----|-------|-----|-------|-----|-------|-----|-------|-----|
| VTUS-20         | L1 [mm] | 72  | 94    | 116 | 138   | 160 | 182   | 204 | 226   | 248 |
|                 | L2 [mm] | 60  | 82    | 104 | 126   | 148 | 170   | 192 | 214   | 236 |
| VTUS-25         | L1 [mm] | 87  | 114.5 | 142 | 169.5 | 197 | 224.5 | 252 | 279.5 | 307 |
|                 | L2 [mm] | 75  | 102.5 | 130 | 157.5 | 185 | 212.5 | 240 | 267.5 | 295 |
| VTUS-30         | L1 [mm] | 100 | 132   | 164 | 196   | 228 | 260   | 292 | 324   | 356 |
|                 | L2 [mm] | 85  | 117   | 149 | 181   | 213 | 245   | 277 | 309   | 341 |

Data sheet – Valve manifold assembly

Dimensions – Common supply manifold

Download CAD data → [www.festo.com](http://www.festo.com)

Mounting on both sides



[1] Port 1 (at both ends):  
G3/8 for VTUS 20  
G1/2 for VTUS 25  
G3/4 for VTUS 30

[2] Ports 3 and 5: G1/8 for VTUS 20  
G1/4 for VTUS 25  
G3/8 for VTUS 30

[3] Port 12 and 14 on the valve:  
M5 for VTUS 20,  
M5 for VTUS 25,  
G1/8 for VTUS 30

[5] Ports 2 and 4:  
G1/8 for VTUS 20  
G1/4 for VTUS 25  
G3/8 for VTUS 30


[6] Profile slot IPM-05, system 5

[8] Blanking plate

[9] Supply plate, port 1:  
G1/8 for VTUS 20  
G1/4 for VTUS 25  
G3/8 for VTUS 30

[10] 3/2-way valve

[11] 5/2-way bistable valve or 5/3-way valve or 2x 3/2-way valve

 **Note**

Mounting bracket can be adjusted through  $\pm 30^\circ$

Data sheet – Valve manifold assembly

| Type    | B2    | B3    | B4   | B12  | B13  | B17 | B18 | B19 | H1    | H2 | H3 |
|---------|-------|-------|------|------|------|-----|-----|-----|-------|----|----|
| VTUS-20 | 107.4 | 77    | 23   | 33.7 | 33.7 | 55  | 40  | 20  | 80.4  | 59 | 40 |
| VTUS-25 | 126   | 92    | 28.7 | 33   | 33   | 75  | 60  | 35  | 102.5 | 78 | 52 |
| VTUS-30 | 149   | 109.2 | 34   | 42   | 42   | 85  | 65  | 35  | 122   | 95 | 65 |

| Type    | H10  | H12 | D1 ø | D2     | D3 ø | L3 | L4   | L5   | L7 | W1    |
|---------|------|-----|------|--------|------|----|------|------|----|-------|
| VTUS-20 | 11.5 | 2   | 4.5  | M4x6.5 | 5.2  | 9  | 21   | 22   | 22 | 31.3° |
| VTUS-25 | 18   | 2   | 4.5  | M4x9   | 6.6  | 8  | 29.8 | 27.5 | 24 | 30°   |
| VTUS-30 | 17.5 | 2.5 | 5.5  | M5x11  | 8.6  | 9  | 34   | 32   | 26 | 28°   |

| Valve positions |         | 2   | 3     | 4   | 5     | 6   | 7     | 8   | 9     | 10  |
|-----------------|---------|-----|-------|-----|-------|-----|-------|-----|-------|-----|
| VTUS-20         | L1 [mm] | 64  | 86    | 108 | 130   | 152 | 174   | 196 | 218   | 240 |
|                 | L2 [mm] | 90  | 112   | 134 | 156   | 178 | 200   | 222 | 244   | 266 |
| VTUS-25         | L1 [mm] | 87  | 114.5 | 142 | 169.5 | 197 | 224.5 | 252 | 279.5 | 307 |
|                 | L2 [mm] | 119 | 156.5 | 174 | 201.5 | 229 | 256.5 | 284 | 311.5 | 339 |
| VTUS-30         | L1 [mm] | 100 | 132   | 164 | 196   | 228 | 260   | 292 | 324   | 356 |
|                 | L2 [mm] | 134 | 166   | 198 | 230   | 262 | 294   | 326 | 358   | 390 |

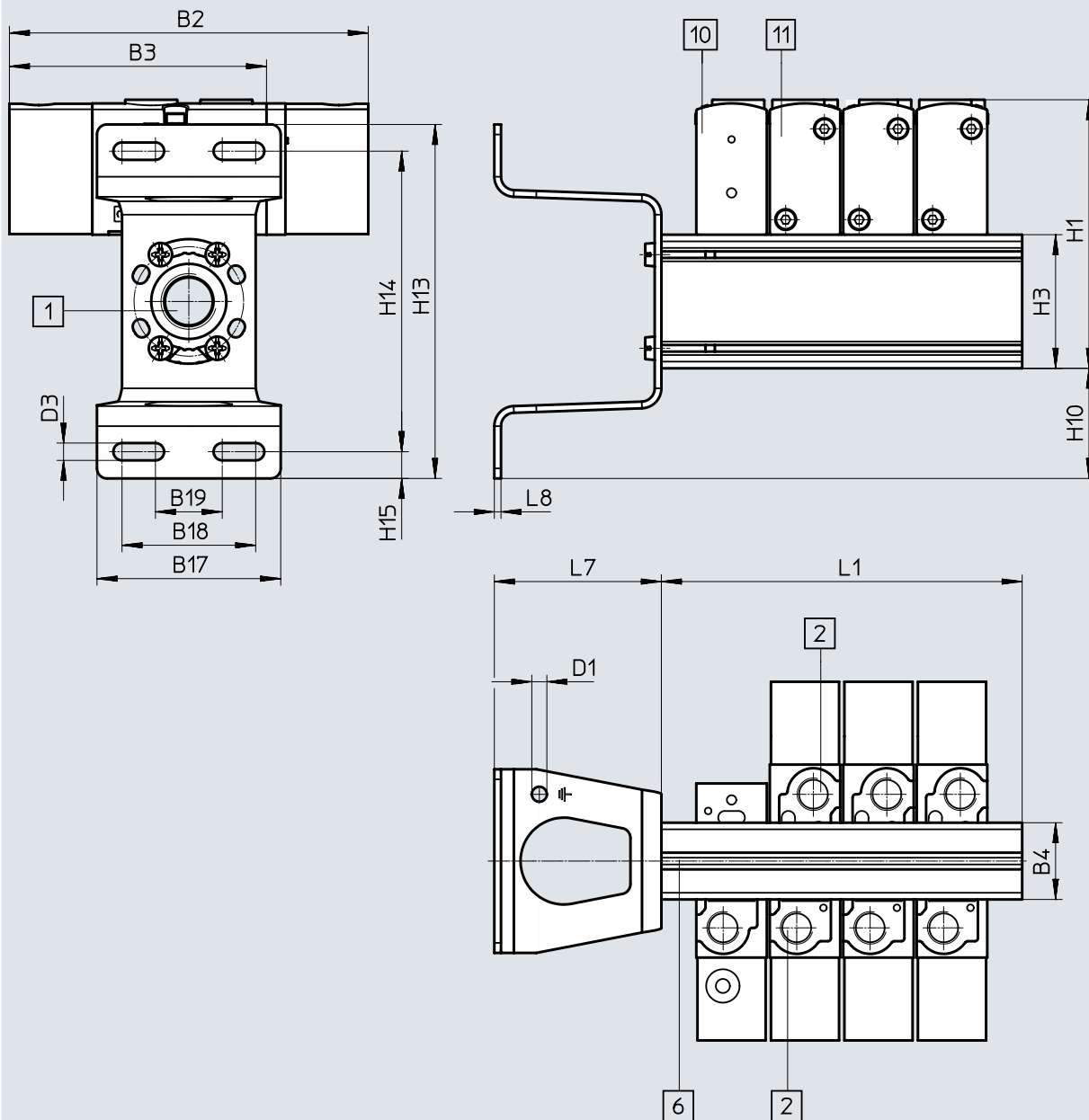


Data sheet – Valve manifold assembly

Dimensions – Common supply manifold

Download CAD data → [www.festo.com](http://www.festo.com)

Mounting on one side



[1] Port 1 (at both ends):  
 G3/8 for VTUS 20  
 G1/2 for VTUS 25  
 G3/4 for VTUS 30

[2] Ports 3 and 5:  
 G1/8 for VTUS 20  
 G1/4 for VTUS 25  
 G3/8 for VTUS 30

[6] Profile slot IPM-05, system 5

[10] 3/2-way valve

[11] 5/2-way bistable valve or 5/3-way valve or 2x 3/2-way valve



Mounting bracket can be adjusted through ±30°

Data sheet – Valve manifold assembly

| Type    | B2    | B3    | B4   | B17 | B18 | B19 |
|---------|-------|-------|------|-----|-----|-----|
| VTUS-20 | 107.4 | 77    | 23   | 55  | 40  | 20  |
| VTUS-25 | 126   | 92    | 28.7 | 80  | 60  | 35  |
| VTUS-30 | 149   | 109.2 | 34   | 85  | 65  | 35  |

| Type    | D1 ø | D3 ø | H1    | H3 | H10 | H13 | H14 | H15 | L7 | L8  |
|---------|------|------|-------|----|-----|-----|-----|-----|----|-----|
| VTUS-20 | 4.5  | 5.2  | 80.4  | 40 | 33  | 107 | 89  | 8   | 50 | 2   |
| VTUS-25 | 4.5  | 6.6  | 102.5 | 52 | 38  | 128 | 112 | 8   | 64 | 2   |
| VTUS-30 | 5.5  | 8.6  | 122   | 65 | 38  | 146 | 128 | 9   | 74 | 2.5 |

| Valve positions | 2   | 3     | 4   |
|-----------------|-----|-------|-----|
| VTUS-20 L1 [mm] | 64  | 86    | 108 |
| VTUS-25 L1 [mm] | 87  | 114.5 | 142 |
| VTUS-30         | 100 | 132   | 164 |

## Type codes – Pneumatic valves

| 001  | Series          |
|------|-----------------|
| VUWS | Pneumatic valve |

| 002 | Directional control valve type |
|-----|--------------------------------|
| L   | In-line valve                  |

| 003 | Design principle |
|-----|------------------|
|     | Piston spool     |
| T   | Poppet valve     |

| 004 | Size    |
|-----|---------|
| 20  | Size 20 |
| 25  | Size 25 |
| 30  | Size 30 |


| 005  | Valve function  |
|------|---|
| M32U | 3/2-way valve, normally open                          |
| M32C | 3/2-way valve, normally closed                        |
| T32U | 2x3/2-way valve, normally open                        |
| T32C | 2x3/2-way valve, normally closed                      |
| T32H | 2x3/2-way valve, 1x normally closed, 1x normally open |
| M52  | 5/2-way valve, monostable                             |
| B52  | 5/2-way valve, bistable                               |
| P53U | 5/3-way valve, mid-position pressurised               |
| P53E | 5/3-way valve, mid-position exhausted                 |
| P53C | 5/3-way valve, mid-position closed                    |

| 006 | Reset method for monostable valves |
|-----|------------------------------------|
|     | None                               |
| A   | Pneumatic spring                   |
| E   | Pneumatic spring, external         |
| M   | Mechanical spring                  |

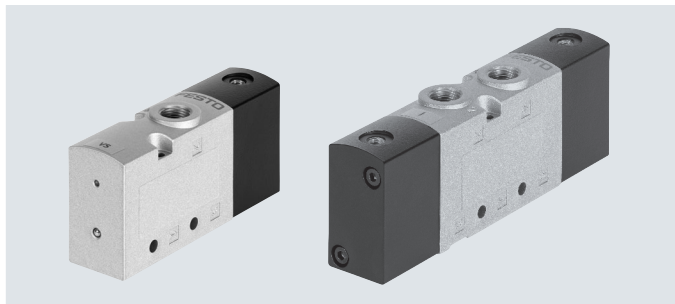
| 007  | Pneumatic connection    |
|------|-------------------------|
| G18  | G1/8                    |
| G14  | G1/4                    |
| G38  | G3/8                    |
| G12  | G1/2                    |
| N18  | 1/8 NPT                 |
| N14  | 1/4 NPT                 |
| N38  | 3/8 NPT                 |
| Q4   | Push-in connector 4 mm  |
| Q6   | Push-in connector 6 mm  |
| Q8   | Push-in connector 8 mm  |
| Q10  | Push-in connector 10 mm |
| Q12  | Push-in connector 12 mm |
| T532 | Push-in connector 5/32" |
| T14  | Push-in connector 1/4"  |
| T38  | Push-in connector 3/8"  |
| T516 | Push-in connector 5/16" |
| T12  | Push-in connector 1/2"  |

| 008 | Exhaust      |
|-----|--------------|
|     | No fitting   |
| QN  | With fitting |
| U   | Silencer     |

## Data sheet

-  - Flow rate  
up to 600 l/min

-  - Valve width  
21 mm



| General technical data         |                 | 3/2-way valve  |      | 2x 3/2-way valve |      |      | 5/2-way valve |      |
|--------------------------------|-----------------|--|------|------------------|------|------|---------------|------|
| Valve function                 |                 |  |      |                  |      |      |               |      |
| Order code for valves          |                 | M32C   | M32U | T32C             | T32U | T32H | M52           | B52  |
| Valve width                    | [mm]            | 21   |      |                  |      |      |               |      |
| Design                         |                 | Poppet seat  |      |                  |      |      |               |      |
| Pneumatic spring supply        |                 | Internal   |      |                  |      |      |               |      |
| Type of control                |                 | Direct   |      |                  |      |      |               |      |
| Manual override (MO)           |                 | None   |      |                  |      |      |               |      |
| Flow direction                 |                 | Non-reversible   |      |                  |      |      |               |      |
| Overlap                        |                 | Negative overlap   |      |                  |      |      |               |      |
| Sealing principle              |                 | Soft   |      |                  |      |      |               |      |
| Type of mounting               |                 | Optionally via through-holes <sup>1)</sup> or on manifold rail |      |                  |      |      |               |      |
| Standard nominal flow rate qnN | [l/min]         | 600  | 600  | 600              | 600  | 600  | 500           | 500  |
| Through-holes (nominal width)  | [mm]            | 5.2  | 5.2  | 5.2              | 5.2  | 5.2  | 5             | 5    |
| Product weight                 | [g]             | 117  | 119  | 189              | 191  | 190  | 173           | 192  |
| Type of actuation              |                 | Pneumatic  |      |                  |      |      |               |      |
| Mounting position              |                 | Any  |      |                  |      |      |               |      |
| Exhaust function               |                 | Can be throttled   |      |                  |      |      |               |      |
| Venting hole                   |                 | Not ducted   |      |                  |      |      |               |      |
| Pneumatic connection           | 1, 2, 3<br>4, 5 | G1/8   | G1/8 | G1/8             | G1/8 | G1/8 | G1/8          | G1/8 |
| Pneumatic spring connection    | 12/14, 10       | M5   |      |                  |      |      |               |      |

1) If several valves are to be screwed together via through-holes to form a block, a minimum distance of 0.3 mm must be ensured by placing spacer discs between them.

## Data sheet

| Technical data – 3/2-way valves |                   |                   |
|---------------------------------|-------------------|-------------------|
| Order code for valves           | M32C              | M32U              |
| Normal position                 | Closed            | Open              |
| Stable position                 | Monostable        | Monostable        |
| Reset method                    | Mechanical spring | Mechanical spring |
| Switching times in [ms]         | On                | 6                 |
|                                 | Off               | 19                |
|                                 | Change-over       | –                 |

| Technical data – 5/2-way valves |                   |          |
|---------------------------------|-------------------|----------|
| Order code for valves           | M52               | B52      |
| Stable position                 | Monostable        | Bistable |
| Reset method                    | Mechanical spring | –        |
| Switching times in [ms]         | On                | 10       |
|                                 | Off               | 14       |
|                                 | Change-over       | –        |

| Technical data – 2x 3/2-way valves |                   |      |      |    |
|------------------------------------|-------------------|------|------|----|
| Order code for valves              | T32C              | T32U | T32H |    |
| Stable position                    | Monostable        |      |      |    |
| Reset method                       | Mechanical spring |      |      |    |
| Switching times in [ms]            | On                | 6    | 6    | 6  |
|                                    | Off               | 19   | 18   | 19 |

| Safety characteristics |  |
|------------------------|--|
| Shock resistance       | Shock test with severity level 2 to FN 942017-5 and EN 60068-2-27                |
| Vibration resistance   | Transport application test with severity level 2 to FN 942017-4 and EN 60068-2-6 |

| Operating and environmental conditions       |  |              |            |            |              |
|--|--|--------------|------------|------------|--------------|
| Valve function                               | M32  | M52          | B52        | T32        |              |
| Operating medium                             | Compressed air to ISO 8573-1:2010 [7:4:4]  |              |            |            |              |
| Pilot medium                                 | Compressed air to ISO 8573-1:2010 [7:4:4]  |              |            |            |              |
| Note on the operating/pilot medium           | Lubricated operation possible (in which case lubricated operation will always be required) |              |            |            |              |
| Operating pressure                           | [MPa]  | –0.09 ... +1 | 0.25 ... 1 | 0.15 ... 1 | –0.09 ... +1 |
|  | [bar]  | –0.9 ... +10 | 2.5 ... 10 | 1.5 ... 10 | –0.9 ... +10 |
| Pilot pressure                               | [MPa]  | 0.15 ... 1   | 0.25 ... 1 | 0.15 ... 1 | 0.15 ... 1   |
|  | [bar]  | 1.5 ... 10   | 2.5 ... 10 | 1.5 ... 10 | 1.5 ... 10   |
| Ambient temperature                          | [°C]   | –5 ... +60   |            |            |              |
| Temperature of medium                        | [°C]   | –5 ... +60   |            |            |              |
| Certification                                | cUL us - Recognized (OL)   |              |            |            |              |
| Corrosion resistance class CRC <sup>1)</sup> | 2  |              |            |            |              |

1) More information: [www.festo.com/x/topic/kbk](http://www.festo.com/x/topic/kbk)

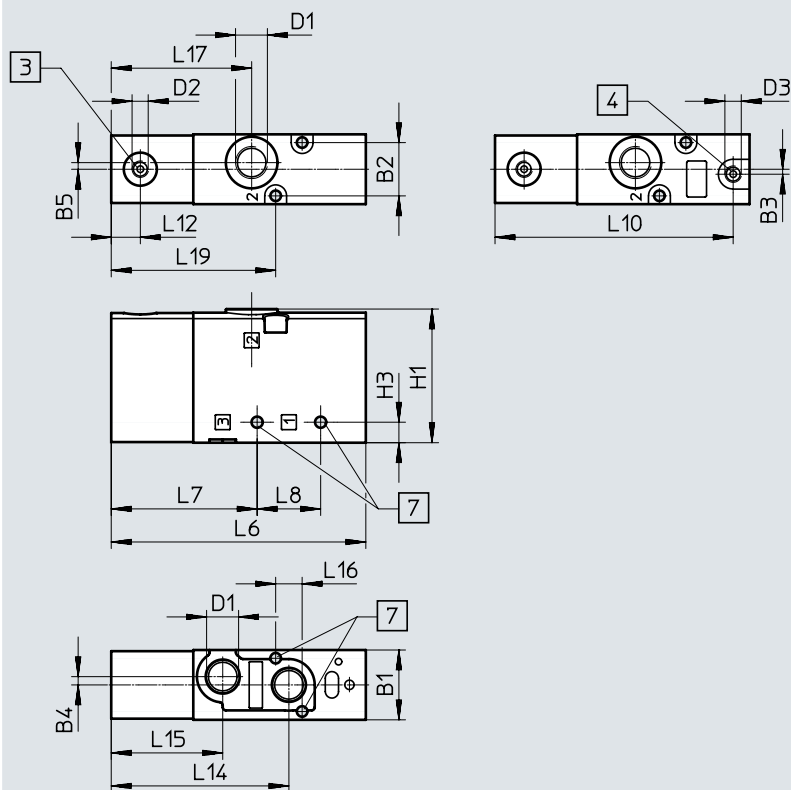
| Information on materials |                              |
|--------------------------|------------------------------|
| Housing                  | Die-cast aluminium (painted) |
| Seals                    | HNBR, NBR, TPE-U(PU)         |
| Screws                   | Galvanised steel             |
| Note on materials        | RoHS-compliant               |

Data sheet

Dimensions

Download CAD data → [www.festo.com](http://www.festo.com)

3/2-way valve



- [3] Port 10 for pilot air (VUWS-LT20-M32U)  
Port 12 for pilot air (VUWS-LT20-M32C)
- [7] For retaining screw M3

| Type                  | B1   | B2   | B4  | B5 | D1   | D2 | H1   | H3  |
|-----------------------|------|------|-----|----|------|----|------|-----|
| VUWS-LT20-M32-...-G18 | 21.1 | 16.1 | 2.5 | 2  | G1/8 | M5 | 40.4 | 6.2 |

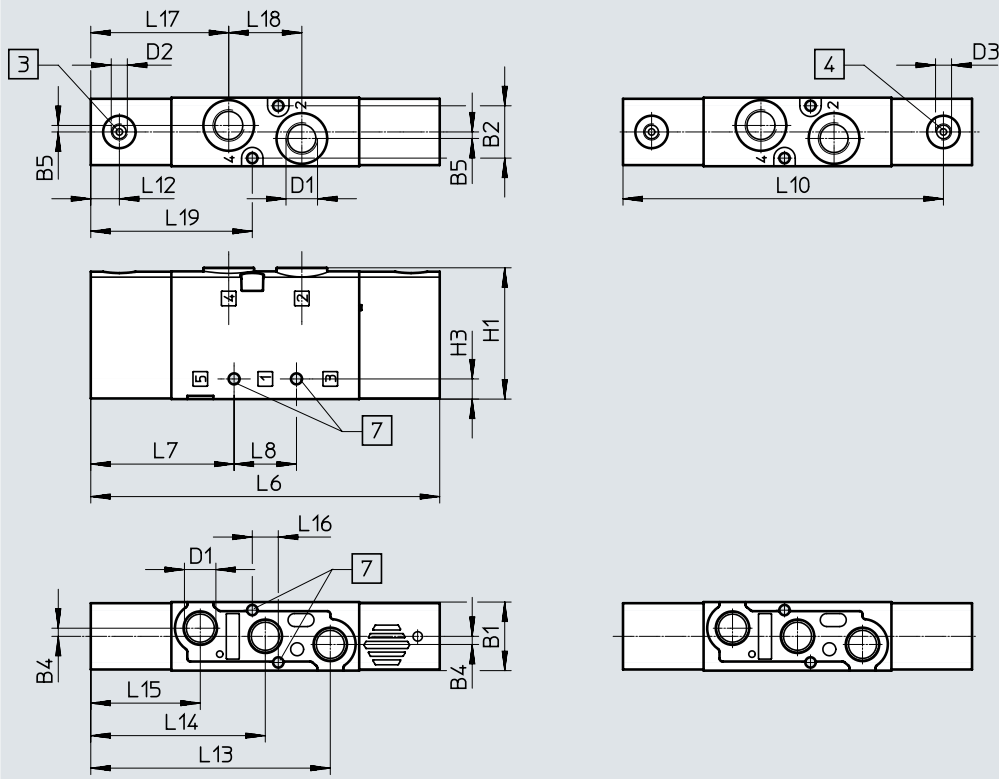
| Type                  | L6 | L7   | L8   | L12 | L14  | L15  | L16 | L17  | L19  |
|-----------------------|----|------|------|-----|------|------|-----|------|------|
| VUWS-LT20-M32-...-G18 | 77 | 44.1 | 19.2 | 8.8 | 53.7 | 33.7 | 8   | 42.5 | 49.7 |

Data sheet

Dimensions

Download CAD data → [www.festo.com](http://www.festo.com)

5/2-way valve, monostable



- [3] Port 14: pilot air
- [4] Port 12: pilot air
- [7] For retaining screw M4

| Type                   | B1   | B2   | B4  | B5 | D1   | D2 | D3 | H1   | H3  | L6    |
|------------------------|------|------|-----|----|------|----|----|------|-----|-------|
| VUWS-LT20-M52-M...-G18 | 21.1 | 16.1 | 2.5 | 2  | G1/8 | M5 | -  | 40.4 | 5.8 | 107.4 |

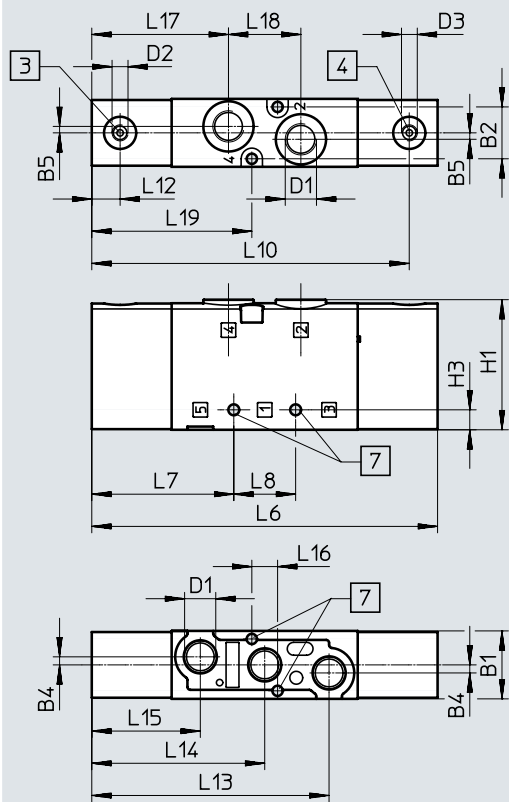
| Type                   | L10 | L7   | L8 | L12 | L13  | L14  | L15  | L16 | L17  | L18  | L19  | L20 |
|------------------------|-----|------|----|-----|------|------|------|-----|------|------|------|-----|
| VUWS-LT20-M52-M...-G18 | -   | 44.7 | 18 | 8.8 | 73.7 | 53.7 | 33.7 | 8   | 42.5 | 22.5 | 49.7 | 20  |

Data sheet

Dimensions

Download CAD data → [www.festo.com](http://www.festo.com)

2x 3/2-way valve and 5/2-way valve, bistable



- [3] Port 14: pilot air
- [4] Port 12: pilot air
- [7] For retaining screw M4

| Type                    | B1   | B2   | B4  | B5 | D1   | D2 | D3 | H1   | H3  |
|-------------------------|------|------|-----|----|------|----|----|------|-----|
| VUWS-LT20-T32-...-M-G18 | 21.1 | 16.1 | 2.5 | 2  | G1/8 | M5 | M5 | 40.4 | 5.8 |
| VUWS-LT20-B52-G18       |      |      |     |    |      |    |    |      |     |

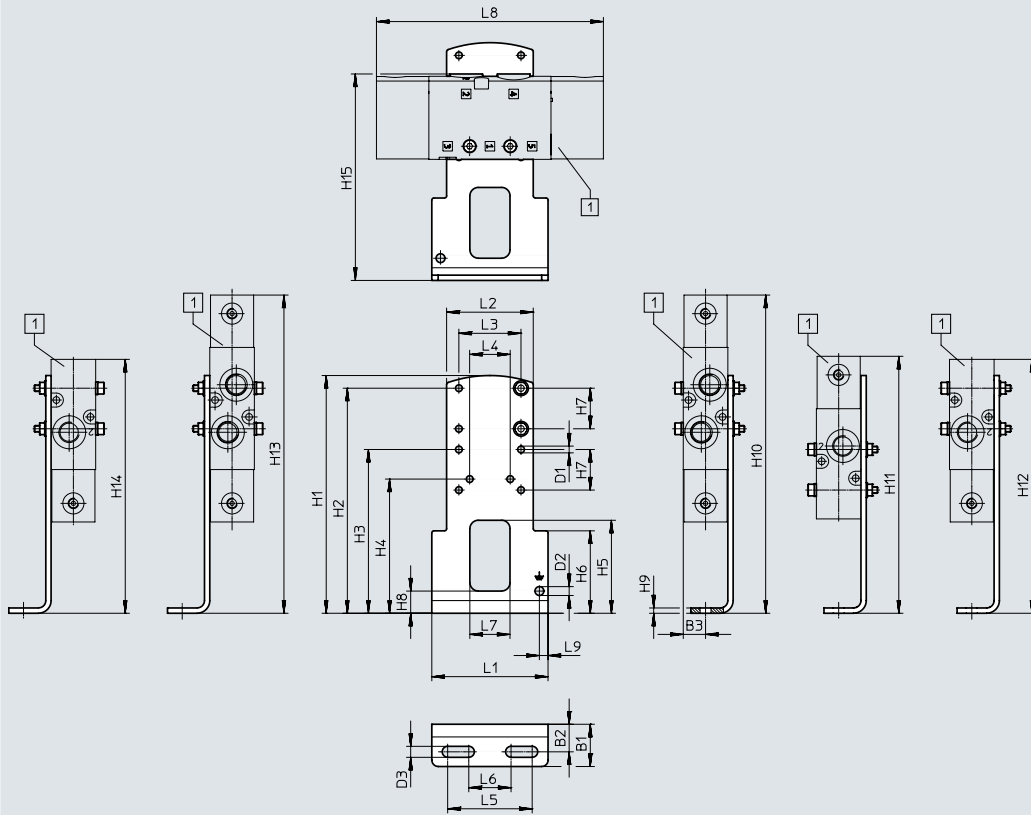
| Type                   | L6    | L7   | L8 | L10  | L12 | L13  | L14  | L15  | L16 | L17  | L18  | L19  | L20 |
|------------------------|-------|------|----|------|-----|------|------|------|-----|------|------|------|-----|
| VUWS-L20-T32-...-M-G18 | 107.4 | 44.7 | 18 | 98.6 | 8.8 | 73.7 | 53.7 | 33.7 | 8   | 42.5 | 22.5 | 49.7 | 20  |
| VUWS-LT20-B52-G18      |       |      |    |      |     |      |      |      |     |      |      |      |     |



Data sheet

Dimensions

Foot mounting



[1] VUWS-LT20-B52/T32,  
VUWS-LT20-M52,  
VUWS-LT20-M32

| Type          |                   | B1 | B2   | B3   | D1<br>∅ | D2<br>∅ | D3<br>∅ | H1    | H2    | H3   | H4   |
|---------------|-------------------|----|------|------|---------|---------|---------|-------|-------|------|------|
| VAME-B10-20-A | VUWS-LT20-B52/T32 | 20 | 13.1 | 10.6 | 3.2     | 4.2     | 5.2     | 112.5 | 106.5 | 77.5 | 63.5 |
|               | VUWS-LT20-M52     |    |      |      |         |         |         |       |       |      |      |
|               | VUWS-LT20-M32     |    |      |      |         |         |         |       |       |      |      |

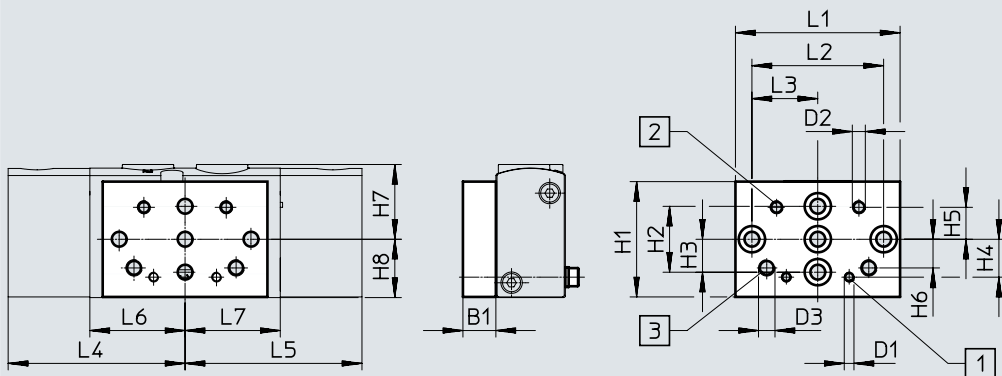
| Type          |                   | H5 | H6 | H7   | H8   | H9  | H10   | H11   | H12   | H13   | H14   |
|---------------|-------------------|----|----|------|------|-----|-------|-------|-------|-------|-------|
| VAME-B10-20-A | VUWS-LT20-B52/T32 | 44 | 39 | 19.2 | 10.5 | 2.5 | 150.6 | 121.6 | 150.6 | 150.6 | 150.6 |
|               | VUWS-LT20-M52     |    |    |      |      |     |       |       | 120.2 |       |       |
|               | VUWS-LT20-M32     |    |    |      |      |     |       |       |       |       |       |

| Type          |                   | H15  | L1 | L2 | L3   | L4   | L5 | L6 | L7 | L8    | L9  |
|---------------|-------------------|------|----|----|------|------|----|----|----|-------|-----|
| VAME-B10-20-A | VUWS-LT20-B52/T32 | 97.7 | 55 | 41 | 29.4 | 19.2 | 40 | 20 | 19 | 107.4 | 4.1 |
|               | VUWS-LT20-M52     |      |    |    |      |      |    |    |    | 77    |     |
|               | VUWS-LT20-M32     |      |    |    |      |      |    |    |    |       |     |

Data sheet

Dimensions

Wall mounting



[1] Mounting hole for size 20

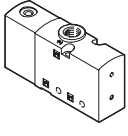
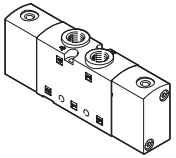
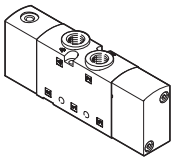
[2] Mounting hole for size 25

[3] Mounting hole for size 30



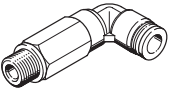
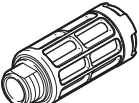
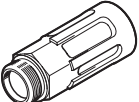

| Type          |                   | B1 | D1 | D2 | D3 | H1 | H2 | H3 | H4   | H5  | H6  |
|---------------|-------------------|----|----|----|----|----|----|----|------|-----|-----|
| VAME-B10-20-W | VUWS-LT20-B52/T32 | 10 | M3 | M4 | M5 | 35 | 20 | 10 | 11.5 | 9.7 | 8.7 |
|               | VUWS-LT20-M52     |    |    |    |    |    |    |    |      |     |     |
|               | VUWS-LT20-M32     |    |    |    |    |    |    |    |      |     |     |

| Type          |                   | H7   | H8   | L1 | L2 | L3 | L4   | L5   | L6   | L7   |
|---------------|-------------------|------|------|----|----|----|------|------|------|------|
| VAME-B10-20-W | VUWS-LT20-B52/T32 | 22.7 | 17.7 | 50 | 40 | 20 | 53.7 | 53.7 | 28.9 | 28.9 |
|               | VUWS-LT20-M52     |      |      |    |    |    |      |      |      |      |
|               | VUWS-LT20-M32     |      |      |    |    |    |      |      |      |      |

## Ordering data – Pneumatic valves, size 20

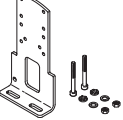
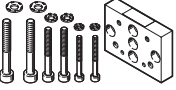


| Ordering data  |   |   |                      |                      |
|--|---|---|----------------------|----------------------|
|  | Code  | Valve function  | Part no.             | Type                 |
| <b>3/2-way valve</b>   |   |   |                      |                      |
|   | <b>Normally closed, monostable</b>  |   |                      |                      |
|  | M32C  | Reset via mechanical spring,<br>internal pilot air supply,<br>flow direction not reversible | 577525               | VUWS-LT20-M32C-M-G18 |
|  | <b>Normally open, monostable</b>  |   |                      |                      |
|  | M32U  | Reset via pneumatic spring,<br>internal pilot air supply,<br>flow direction not reversible  | 577526               | VUWS-LT20-M32U-M-G18 |
| <b>2x 3/2-way valve</b>  |   |   |                      |                      |
|   | <b>Monostable, normally closed</b>  |   |                      |                      |
|  | T32C  | Reset via mechanical spring,<br>internal pilot air supply,<br>flow direction not reversible | 577529               | VUWS-LT20-T32C-M-G18 |
|  | <b>Monostable, normally open</b>  |   |                      |                      |
|  | T32H  | Reset via mechanical spring,<br>internal pilot air supply,<br>flow direction not reversible | 577531               | VUWS-LT20-T32H-M-G18 |
| <b>Monostable, 1x normally open, 1x normally closed</b>                            |   |   |                      |                      |
| T32U   | Reset via mechanical spring,<br>internal pilot air supply,<br>flow direction not reversible | 577530  | VUWS-LT20-T32U-M-G18 |                      |
| <b>5/2-way valve</b>   |   |   |                      |                      |
|  | <b>Monostable</b>   |   |                      |                      |
|  | M52-M   | Reset via mechanical spring,<br>internal pilot air supply,<br>flow direction not reversible | 577527               | VUWS-LT20-M52-M-G18  |
|  | <b>Bistable</b>   |   |                      |                      |
| B52  | Internal pilot air supply,<br>flow direction not reversible                                 | 577528  | VUWS-LT20-B52-G18    |                      |

## Accessories


| Ordering data  | Description                                     |      | Part no. | Type            | PU <sup>1)</sup> |
|--|---|------|----------|-----------------|------------------|
| <b>Push-in fitting with internal hex</b>   |   |      |          |                 |                  |
|    | Connecting thread M5 for tubing O.D.            | 4 mm | 153315   | QSM-M5-4-I      | 10               |
|  | Connecting thread G1/8 for tubing O.D.          | 4 mm | 186106   | QS-G1/8-4-I     | 10               |
|  |   | 4 mm | 133008   | QS-G1/8-4-I-100 | 100              |
|  |   | 6 mm | 186107   | QS-G1/8-6-I     | 10               |
|  |   |      | 133009   | QS-G1/8-6-I-100 | 100              |
|  |   | 8 mm | 186109   | QS-G1/8-8-I     | 10               |
|  |   |      | 133010   | QS-G1/8-8-I-100 | 100              |
| <b>Angled push-in fitting with external hex</b>                                    |   |      |          |                 |                  |
|    | Connecting thread G1/8 for tubing O.D.          | 4 mm | 186116   | QSL-G1/8-4      | 10               |
|  |   |      | 132048   | QSL-G1/8-4-100  | 100              |
|  |   | 6 mm | 186117   | QSL-G1/8-6      | 10               |
|  |   |      | 132049   | QSL-G1/8-6-100  | 100              |
|  |   | 8 mm | 186119   | QSL-G1/8-8      | 10               |
|  |   |      | 132050   | QSL-G1/8-8-50   | 50               |
| <b>Angled push-in fitting, long, with external hex</b>                             |   |      |          |                 |                  |
|    | Connecting thread G1/8 for tubing O.D.          | 4 mm | 186127   | QSL-G1/8-4      | 10               |
|  |   |      | 133015   | QSL-G1/8-4-100  | 100              |
|  |   | 6 mm | 186128   | QSL-G1/8-6      | 10               |
|  |   |      | 133016   | QSL-G1/8-6-100  | 100              |
|  |   | 8 mm | 186130   | QSL-G1/8-8      | 10               |
|  |   |      | 133017   | QSL-G1/8-8-100  | 100              |
| <b>Silencer</b>  |   |      |          |                 |                  |
|  | With connecting thread G, polymer design        | G1/8 | 2307     | U-1/8           | 1                |
|  |   |      | 534222   | U-1/8-50        | 50               |
|  | With connecting thread G, metal design          | G1/8 | 6841     | U-1/8-B         | 1                |
|  | With connecting thread G, sintered design, long | G1/8 | 1205860  | AMTE-M-LH-G18   | 20               |

1) Packaging unit

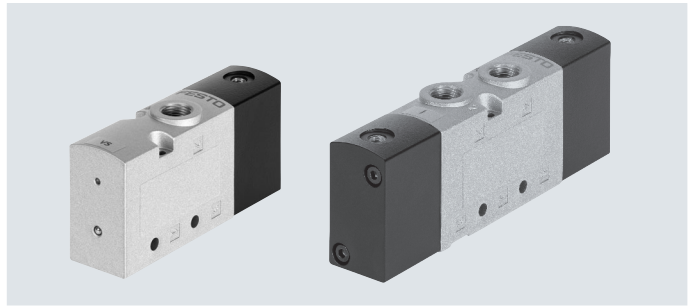
## Accessories

| Ordering data   | Description  | Weight [g] | Part no. | Type           |
|---|--|------------|----------|----------------|
| <b>Foot mounting</b>  |  |            |          |                |
|  | Set for mounting valves, comprising: <ul style="list-style-type: none"> <li>• Mounting bracket and</li> <li>• Screw set for mounting</li> </ul>                  | 97         | 576412   | VAME-B10-20-A  |
| <b>Wall mounting</b>  |  |            |          |                |
|  | Set for mounting valves for size 20, 25, 30, comprising: <ul style="list-style-type: none"> <li>• Wall mounting and</li> <li>• Screw set for mounting</li> </ul> | 53         | 576413   | VAME-B10-20-W  |
| <b>Assortment of spare parts</b>  |  |            |          |                |
|  | Set comprising: <ul style="list-style-type: none"> <li>• Seals and</li> <li>• Screws</li> </ul>  | 10         | 8026203  | VAME-B10-20-MK |
| <b>Inscription label</b>  |  |            |          |                |
|  | 40 pieces in frame   | -          | 565306   | ASLR-C-E4      |

## Data sheet

-  - Flow rate  
up to 1000 l/min

-  - Valve width  
26.5 mm



| General technical data                     |                 | 3/2-way valve                                    |           | 2x 3/2-way valve |              |              | 5/2-way valve |              |
|--|-----------------|--|-----------|------------------|--------------|--------------|---------------|--------------|
| Valve function                             |                 |  |           |                  |              |              |               |              |
| Order code for valves                      |                 | M32C   | M32U      | T32C             | T32U         | T32H         | M52           | B52          |
| Valve width                                | [mm]            | 26.5   |           |                  |              |              |               |              |
| Design                                     |                 | Poppet seat                                      |           |                  |              |              |               |              |
| Type of control                            |                 | Direct   |           |                  |              |              |               |              |
| Manual override (MO)                       |                 | None   |           |                  |              |              |               |              |
| Flow direction                             |                 | Non-reversible                                   |           |                  |              |              |               |              |
| Overlap                                    |                 | Negative overlap                                 |           |                  |              |              |               |              |
| Sealing principle                          |                 | Soft   |           |                  |              |              |               |              |
| Type of mounting                           |                 | Optionally via through-holes or on manifold rail |           |                  |              |              |               |              |
| Standard nominal flow rate q <sub>nN</sub> | [l/min]         | 1000   |           |                  |              |              |               |              |
| Through-holes (nominal width)              | [mm]            | 6.9  | 6.6       | 6.9              | 6.9          | 6.9          | 6.6           | 6.6          |
| Product weight                             | [g]             | 221  | 255       | 343              | 411          | 377          | 317           | 344          |
| Type of actuation                          |                 | Pneumatic  |           |                  |              |              |               |              |
| Mounting position                          |                 | Any  |           |                  |              |              |               |              |
| Exhaust function                           |                 | Can be throttled                                 |           |                  |              |              |               |              |
| Port for venting hole                      |                 | Not ducted                                       |           |                  |              |              |               |              |
| Pneumatic connection                       | 1, 2, 3<br>4, 5 | G1/4<br>-  | G1/4<br>- | G1/4<br>G1/4     | G1/4<br>G1/4 | G1/4<br>G1/4 | G1/4<br>G1/4  | G1/4<br>G1/4 |
| Pneumatic spring connection                | 12/14, 10       | M5   |           |                  |              |              |               |              |

| Technical data – 3/2-way valves |     | M32C              | M32U | T32C   | T32U | T32H               |
|---------------------------------|-----|-------------------|------|--------|------|--------------------|
| Order code for valves           |     |                   |      |        |      |                    |
| Normal position                 |     | Closed            | Open | Closed | Open | 1x open, 1x closed |
| Stable position                 |     | Monostable        |      |        |      |                    |
| Reset method                    |     | Mechanical spring |      |        |      |                    |
| Switching times in [ms]         | On  | 6                 | 7    | 6      | 7    | 7                  |
|                                 | Off | 29                | 30   | 29     | 30   | 30                 |

## Data sheet

| Technical data – 5/2-way valves |                   |          |
|---------------------------------|-------------------|----------|
| Order code for valves           | M52               | B52      |
| Stable position                 | Monostable        | Bistable |
| Reset method                    | Mechanical spring | –        |
| Switching times in [ms]         | On                | 8        |
|                                 | Off               | 23       |
|                                 | Change-over       | –        |
|                                 |                   | 6        |

| Safety characteristics |  |
|------------------------|--|
| Shock resistance       | Shock test with severity level 2 to FN 942017-5 and EN 60068-2-27                |
| Vibration resistance   | Transport application test with severity level 2 to FN 942017-4 and EN 60068-2-6 |

| Operating and environmental conditions       |  |             |             |             |             |
|--|--|-------------|-------------|-------------|-------------|
| Order code for valves                        | M32  | T32         | M52         | B52         |             |
| Operating medium                             | Compressed air to ISO 8573-1:2010 [7:4:4]  |             |             |             |             |
| Pilot medium                                 | Compressed air to ISO 8573-1:2010 [7:4:4]  |             |             |             |             |
| Note on the operating/pilot medium           | Lubricated operation possible (in which case lubricated operation will always be required) |             |             |             |             |
| Operating pressure                           | [MPa]  | –0.09 ... 1 | –0.09 ... 1 | 0.25 ... 1  | 0.15 ... 1  |
|  | [bar]  | –0.9 ... 10 | –0.9 ... 10 | 2.5 ... 10  | 1.5 ... 10  |
| Pilot pressure                               | [MPa]  | 0.25 ... 1  | 0.25 ... 1  | 0.25 ... 1  | 0.15 ... 1  |
|  | [bar]  | 2.5 ... 10  | 2.5 ... 10  | 2.5 ... 10  | 1.5 ... 10  |
| Ambient temperature                          | [°C]   | –5 ... +60  | –5 ... +60  | –10 ... +60 | –10 ... +60 |
| Temperature of medium                        | [°C]   | –5 ... +60  | –5 ... +60  | –10 ... +60 | –10 ... +60 |
| Certification                                | c UL us - Recognized (OL)  |             |             |             |             |
| Corrosion resistance class CRC <sup>1)</sup> | 2  |             |             |             |             |

1) More information: [www.festo.com/x/topic/kbk](http://www.festo.com/x/topic/kbk)

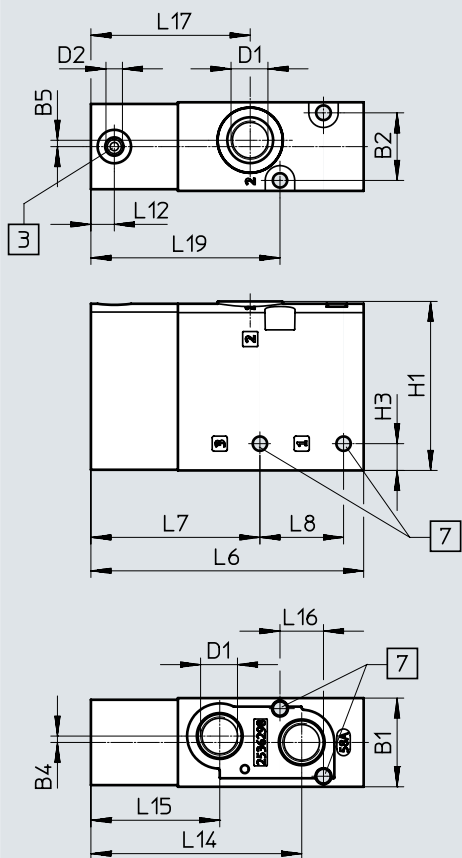
| Information on materials |                              |
|--------------------------|------------------------------|
| Housing                  | Die-cast aluminium (painted) |
| Seals                    | HNBR, NBR, TPE-U(PU)         |
| Screws                   | Galvanised steel             |
| Note on materials        | RoHS-compliant               |

Data sheet

Dimensions

Download CAD data → [www.festo.com](http://www.festo.com)

3/2-way valve



[3] Port 10/12: pilot air

[7] For retaining screw M4

| Type                   | B1   | B2   | B4  | B5  | D1   | D2 | H1   | H3 |
|------------------------|------|------|-----|-----|------|----|------|----|
| VUWS-LT25-M32...-M-G14 | 26.5 | 20.2 | 1.9 | 1.9 | G1/4 | M5 | 50.5 | 8  |

| Type                   | L6   | L7   | L8 | L12 | L14 | L15  | L16 | L17  | L19  |
|------------------------|------|------|----|-----|-----|------|-----|------|------|
| VUWS-LT25-M32...-M-G14 | 81.6 | 50.5 | 25 | 7   | 63  | 38.5 | 13  | 47.6 | 56.5 |

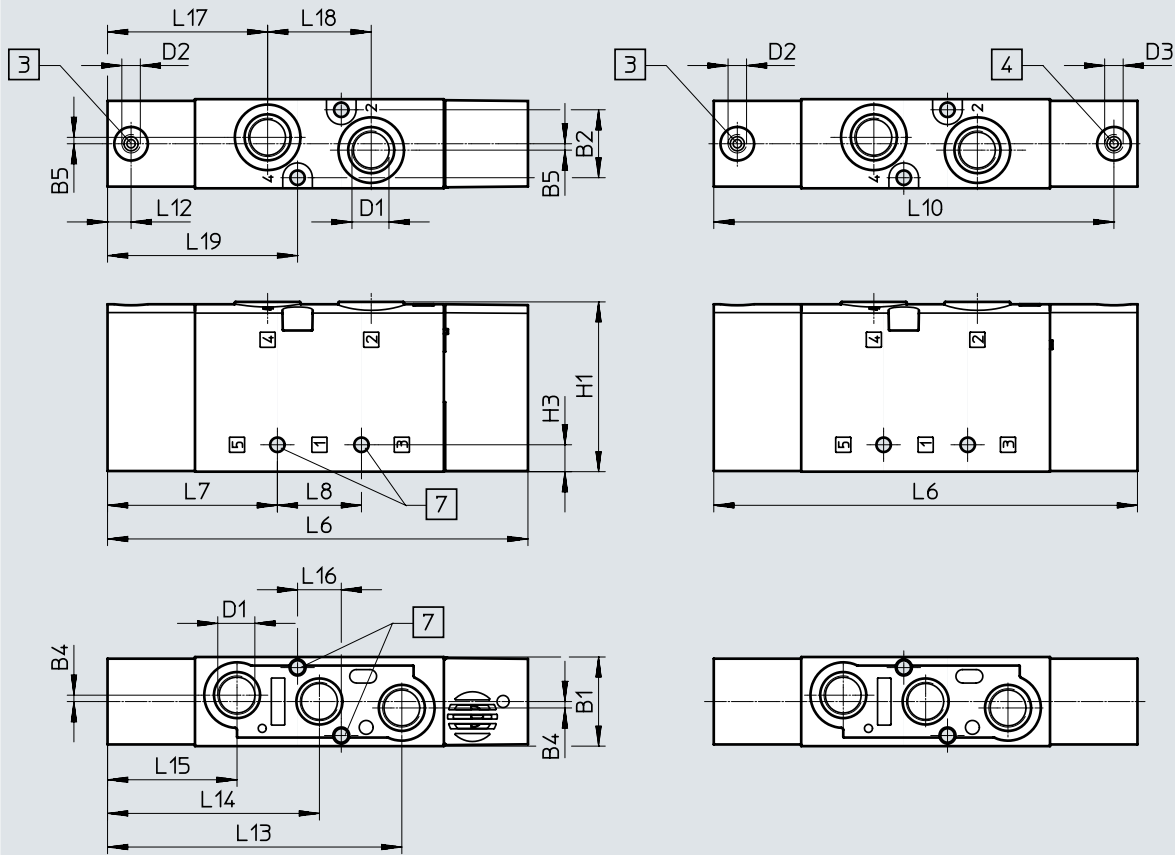


Data sheet

Dimensions

Download CAD data → [www.festo.com](http://www.festo.com)

5/2-way valve, monostable



[3] Port 14: pilot air

[4] Port 12: pilot air

[7] For retaining screw M4

| Type                | B1   | B2   | B4  | B5  | D1   | D2 | D3 | H1   | H3 |
|---------------------|------|------|-----|-----|------|----|----|------|----|
| VUWS-LT25-M52-M-G14 | 26.5 | 20.2 | 1.9 | 1.9 | G1/4 | M5 | M5 | 50.5 | 8  |

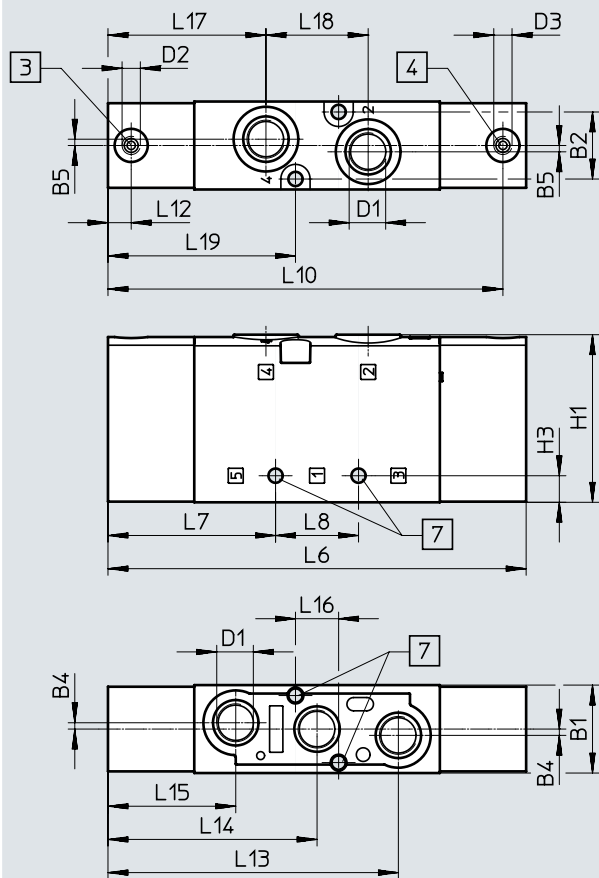
| Type                | L6  | L7   | L8 | L12 | L13  | L14 | L15  | L16 | L17  | L18  | L19  |
|---------------------|-----|------|----|-----|------|-----|------|-----|------|------|------|
| VUWS-LT25-M52-M-G14 | 125 | 50.5 | 25 | 7   | 87.5 | 63  | 38.5 | 13  | 47.6 | 30.8 | 56.5 |

Data sheet

Dimensions

Download CAD data → [www.festo.com](http://www.festo.com)

2x 3/2-way valve and 5/2-way valve, bistable



- [3] Port 14: pilot air
- [4] Port 12: pilot air
- [7] For retaining screw M4

| Type                   | B1   | B2   | B4  | B5  | D1   | D2 | D3 | H1   | H3 |
|------------------------|------|------|-----|-----|------|----|----|------|----|
| VUWS-LT25-B52-G14      | 26.5 | 20.2 | 1.9 | 1.9 | G1/4 | M5 | M5 | 50.5 | 8  |
| VUWS-LT25-T32...-M-G14 |      |      |     |     |      |    |    |      |    |

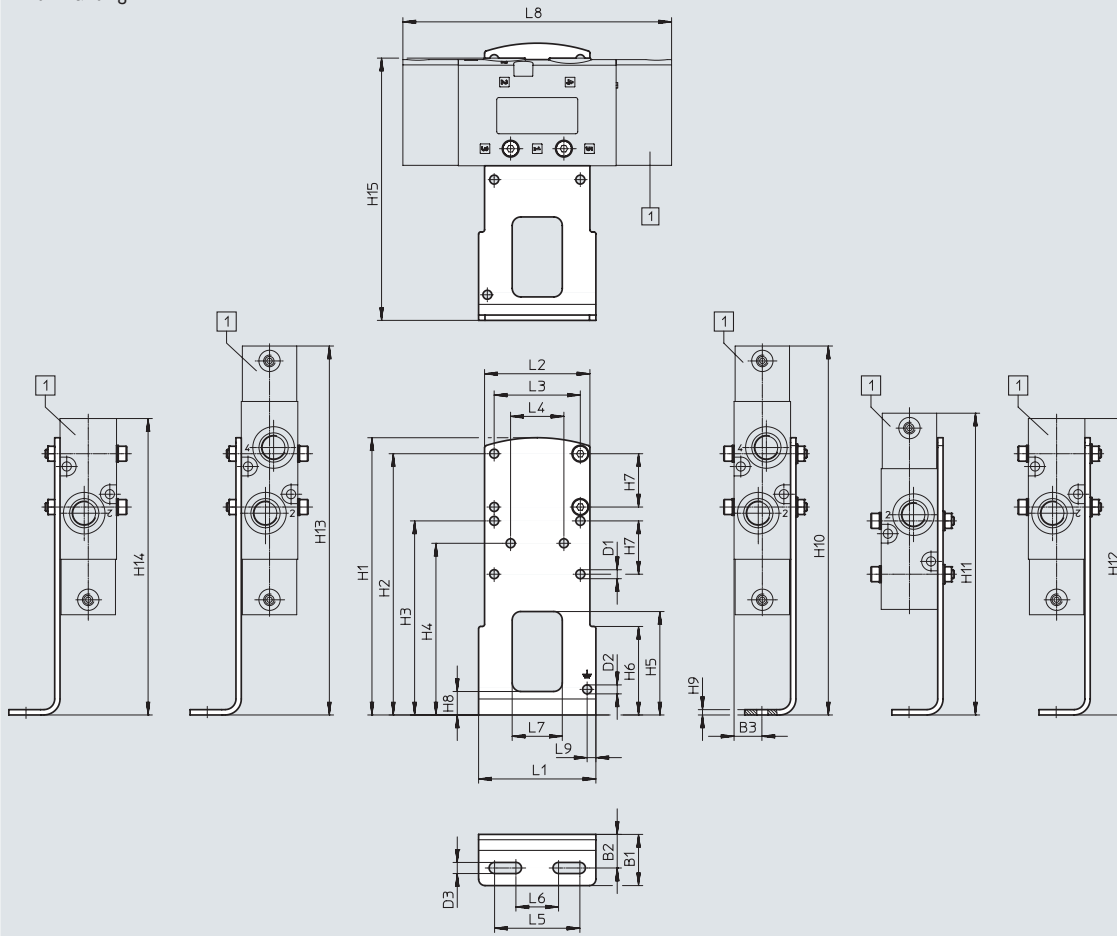
| Type                   | L6  | L7   | L8 | L10 | L12 | L13  | L14 | L15  | L16 | L17  | L18  | L19  |
|------------------------|-----|------|----|-----|-----|------|-----|------|-----|------|------|------|
| VUWS-LT25-B52-G14      | 126 | 50.5 | 25 | 119 | 7   | 87.5 | 63  | 38.5 | 13  | 47.6 | 30.8 | 56.5 |
| VUWS-LT25-T32...-M-G14 |     |      |    |     |     |      |     |      |     |      |      |      |

Accessories

Dimensions

Download CAD data → [www.festo.com](http://www.festo.com)

Foot mounting



[1] VUWS-LT25-B52,  
VUWS-LT25-T32,  
VUWS-LT25-M52,  
VUWS-LT25-M32

| Type          |                   | B1 | B2   | B3   | D1<br>∅ | D2<br>∅ | D3<br>∅ | H1  | H2    | H3 | H4   |
|---------------|-------------------|----|------|------|---------|---------|---------|-----|-------|----|------|
| VAME-B10-25-A | VUWS-LT25-B52/T32 | 24 | 15.8 | 13.3 | 4.2     | 4.2     | 5.2     | 130 | 122.5 | 91 | 80.5 |
|               | VUWS-LT25-M52     |    |      |      |         |         |         |     |       |    |      |
|               | VUWS-LT25-M32     |    |      |      |         |         |         |     |       |    |      |

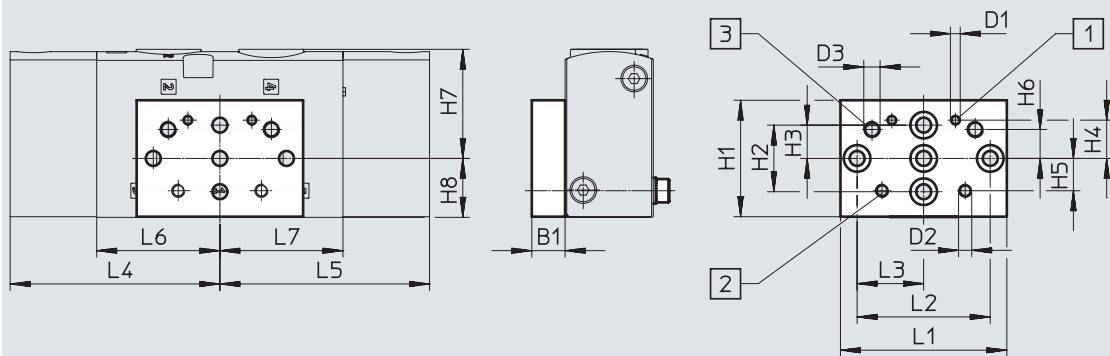
| Type          |                   | H5   | H6   | H7 | H8 | H9  | H10 | H11   | H12   | H13 | H14   |
|---------------|-------------------|------|------|----|----|-----|-----|-------|-------|-----|-------|
| VAME-B10-25-A | VUWS-LT25-B52/T32 | 48.5 | 41.5 | 25 | 11 | 2.5 | 173 | 141.5 | 173   | 173 | 173   |
|               | VUWS-LT25-M52     |      |      |    |    |     |     |       | 172   |     | 172   |
|               | VUWS-LT25-M32     |      |      |    |    |     |     |       | 128.5 |     | 128.5 |

| Type          |                   | H15 | L1 | L2   | L3   | L4 | L5 | L6 | L7   | L8   | L9  |
|---------------|-------------------|-----|----|------|------|----|----|----|------|------|-----|
| VAME-B10-25-A | VUWS-LT25-B52/T32 | 123 | 55 | 49.4 | 40.4 | 25 | 40 | 20 | 23.5 | 126  | 4.1 |
|               | VUWS-LT25-M52     |     |    |      |      |    |    |    |      | 125  |     |
|               | VUWS-LT25-M32     |     |    |      |      |    |    |    |      | 81.5 |     |

Accessories

Dimensions Download CAD data → [www.festo.com](http://www.festo.com)

Wall mounting

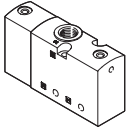
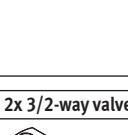
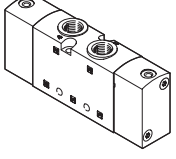

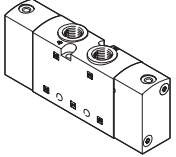
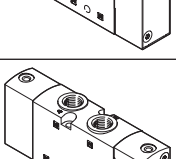
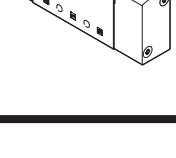


[1] Mounting hole for size 20      [2] Mounting hole for size 25      [3] Mounting hole for size 30



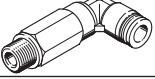
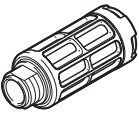
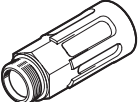

| Type          |                   | B1 | D1 | D2 | D3 | H1 | H2 | H3 | H4   | H5  | H6  |
|---------------|-------------------|----|----|----|----|----|----|----|------|-----|-----|
| VAME-B10-20-W | VUWS-LT25-B52/T32 | 10 | M3 | M4 | M5 | 35 | 20 | 10 | 11.5 | 9.7 | 8.7 |
|               | VUWS-LT25-M52     |    |    |    |    |    |    |    |      |     |     |
|               | VUWS-LT25-M32     |    |    |    |    |    |    |    |      |     |     |

| Type          |                   | H7   | H8   | L1 | L2 | L3 | L4 | L5   | L6 | L7 |
|---------------|-------------------|------|------|----|----|----|----|------|----|----|
| VAME-B10-20-W | VUWS-LT25-B52/T32 | 32.8 | 17.7 | 50 | 40 | 20 | 63 | 63   | 37 | 37 |
|               | VUWS-LT25-M52     |      |      |    |    |    |    | 62   |    |    |
|               | VUWS-LT25-M32     |      |      |    |    |    |    | 18.5 |    |    |

## Accessories

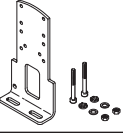
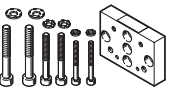


| Ordering data – Pneumatic valves  |   |   |          |                      |
|---|---|---|----------|----------------------|
|   | Code  | Valve function  | Part no. | Type                 |
| <b>3/2-way valve</b>  |   |   |          |                      |
|    | <b>Normally closed, monostable</b>                      |   |          |                      |
|   | M32C-M  | Reset via mechanical spring,<br>internal pilot air supply,<br>flow direction not reversible | 8035173  | VUWS-LT25-M32C-M-G14 |
|    | <b>Normally open, monostable</b>                        |   |          |                      |
|   | M32U-M  | Reset via mechanical spring,<br>internal pilot air supply,<br>flow direction not reversible | 8035180  | VUWS-LT25-M32U-M-G14 |
| <b>2x 3/2-way valve</b>   |   |   |          |                      |
|    | <b>Normally closed, monostable</b>                      |   |          |                      |
|   | T32C  | Reset via mechanical spring,<br>internal pilot air supply,<br>flow direction not reversible | 8035201  | VUWS-LT25-T32C-M-G14 |
|   | <b>Normally open, monostable</b>                        |   |          |                      |
|    | <b>Normally open, monostable</b>                        |   |          |                      |
|   | T32U  | Reset via mechanical spring,<br>internal pilot air supply,<br>flow direction not reversible | 8035208  | VUWS-LT25-T32U-M-G14 |
|   | <b>1x normally open, 1x normally closed, monostable</b> |   |          |                      |
|   | T32H  | Reset via mechanical spring,<br>internal pilot air supply,<br>flow direction not reversible | 8035215  | VUWS-LT25-T32H-M-G14 |
| <b>5/2-way valve</b>  |   |   |          |                      |
|  | <b>Monostable</b>                                       |   |          |                      |
|   | M52-M   | Reset via mechanical spring,<br>internal pilot air supply,<br>flow direction not reversible | 8035187  | VUWS-LT25-M52-M-G14  |
|  | <b>Bistable</b>   |   |          |                      |
|   | B52   | internal pilot air supply,<br>flow direction not reversible                                 | 8035194  | VUWS-LT25-B52-G14    |

## Accessories


| Ordering data  | Description                                     |       | Part no. | Type           | PU <sup>1)</sup> |
|--|---|-------|----------|----------------|------------------|
| <b>Push-in fitting with internal hex</b>   |   |       |          |                |                  |
|    | Connecting thread M5 for tubing O.D.            | 4 mm  | 153315   | QSM-M5-4-I     | 10               |
|  | Connecting thread G1/4 for tubing O.D.          | 6 mm  | 186108   | QS-G1/4-6-I    | 10               |
|  |   | 8 mm  | 186110   | QS-G1/4-8-I    | 10               |
|  |   | 10 mm | 186112   | QS-G1/4-10-I   | 10               |
| <b>Angled push-in fitting with external hex</b>                                    |   |       |          |                |                  |
|    | Connecting thread G1/4 for tubing O.D.          | 6 mm  | 186118   | QSL-G1/4-6     | 10               |
|  |   |       | 132051   | QSL-G1/4-6-100 | 100              |
|  |   | 8 mm  | 186120   | QSL-G1/4-8     | 10               |
|  |   |       | 132052   | QSL-G1/4-8-50  | 50               |
|  |   | 10 mm | 186122   | QSL-G1/4-10    | 10               |
|  |   |       | 132053   | QSL-G1/4-10-50 | 50               |
| <b>Angled push-in fitting, long, with external hex</b>                             |   |       |          |                |                  |
|    | Connecting thread G1/4 for tubing O.D.          | 6 mm  | 186129   | QSL-G1/4-6     | 10               |
|  |   | 8 mm  | 186131   | QSL-G1/4-8     | 10               |
|  |   | 10 mm | 186133   | QSL-G1/4-10    | 10               |
| <b>Silencer</b>  |   |       |          |                |                  |
|    | With connecting thread G, polymer design        | G1/4  | 2316     | U-1/4          | 1                |
|  |   |       | 534223   | U-1/4-20       | 20               |
|   | With connecting thread G, metal design          | G1/4  | 6842     | U-1/4-B        | 1                |
|  | With connecting thread G, sintered design, long | G1/4  | 1205861  | AMTE-M-LH-G14  | 20               |

1) Packaging unit

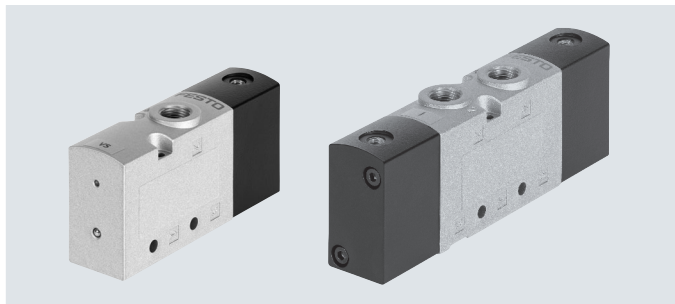
## Accessories

| Ordering data   | Description   | Weight [g] | Part no. | Type           |
|---|---|------------|----------|----------------|
| <b>Foot mounting</b>  |   |            |          |                |
|  | With screw set for attaching the valve to the foot mounting | 130        | 2293485  | VAME-B10-25-A  |
| <b>Wall mounting</b>  |   |            |          |                |
|  | With screw set for attaching the valve to the wall mounting | 53         | 576413   | VAME-B10-20-W  |
| <b>Assortment of spare parts</b>  |   |            |          |                |
|  | Set comprising seals and screws                             | 12         | 8035636  | VAME-B10-25-MK |
| <b>Inscription label</b>  |   |            |          |                |
|  | 40 pieces in frame  | -          | 565306   | ASLR-C-E4      |

## Data sheet

-  - Flow rate  
up to 1800 l/min

-  - Valve width  
31 mm



### General technical data

| Valve function                         | 3/2-way valve                                    |      | 2x 3/2-way valve |      |      | 5/2-way valve |      |
|--|--|------|------------------|------|------|---------------|------|
| Order code for valves                  | M32C   | M32U | T32C             | T32U | T32H | M52           | B52  |
| Valve width [mm]                       | 31   |      |                  |      |      |               |      |
| Design                                 | Poppet seat                                      |      |                  |      |      |               |      |
| Type of control                        | Direct   |      |                  |      |      |               |      |
| Manual override (MO)                   | None   |      |                  |      |      |               |      |
| Flow direction                         | Non-reversible                                   |      |                  |      |      |               |      |
| Overlap                                | Negative overlap                                 |      |                  |      |      |               |      |
| Sealing principle                      | Soft   |      |                  |      |      |               |      |
| Type of mounting                       | Optionally via through-holes or on manifold rail |      |                  |      |      |               |      |
| Standard nominal flow rate qnN [l/min] | 1600   | 1600 | 1600             | 1600 | 1600 | 1800          | 1800 |
| Through-holes (nominal width) [mm]     | 7.9  | 7.9  | 7.9              | 7.8  | 7.8  | 8.1           | 8.7  |
| Product weight [g]                     | 345  | 352  | 515              | 533  | 524  | 473           | 521  |
| Type of actuation                      | Pneumatic  |      |                  |      |      |               |      |
| Mounting position                      | Any  |      |                  |      |      |               |      |
| Exhaust function                       | Can be throttled                                 |      |                  |      |      |               |      |
| Port for venting hole                  | Not ducted                                       |      |                  |      |      |               |      |
| Pneumatic connection                   | 1, 2, 3  | G3/8 | G3/8             | G3/8 | G3/8 | G3/8          | G3/8 |
|  | 4, 5   | -    | -                | G3/8 | G3/8 | G3/8          | G3/8 |
| Pneumatic spring connection 12/14, 10  | G1/8   |      |                  |      |      |               |      |

### Technical data – 3/2-way valves

| Order code for valves   | M32C              | M32U | T32C   | T32U | T32H               |
|-------------------------|-------------------|------|--------|------|--------------------|
| Normal position         | Closed            | Open | Closed | Open | 1x open, 1x closed |
| Stable position         | Monostable        |      |        |      |                    |
| Reset method            | Mechanical spring |      |        |      |                    |
| Switching times in [ms] | On                | 11   | 12     | 12   | 12                 |
|                         | Off               | 37   | 45     | 37   | 45                 |



## Data sheet

| Technical data – 5/2-way valves |                   |          |
|---------------------------------|-------------------|----------|
| Order code for valves           | M52               | B52      |
| Stable position                 | Monostable        | Bistable |
| Reset method                    | Mechanical spring | –        |
| Switching times in [ms]         | On                | 17       |
|                                 | Off               | 77       |
|                                 | Change-over       | –        |
|                                 |                   | 13       |

| Safety characteristics |  |
|------------------------|--|
| Shock resistance       | Shock test with severity level 2 to FN 942017-5 and EN 60068-2-27                |
| Vibration resistance   | Transport application test with severity level 2 to FN 942017-4 and EN 60068-2-6 |

| Operating and environmental conditions       |       |  |            |            |            |
|--|-------|--|------------|------------|------------|
| Order code for valves                        |       | M32  | T32        | M52        | B52        |
| Operating medium                             |       | Compressed air to ISO 8573-1:2010 [7:4:4]  |            |            |            |
| Pilot medium                                 |       | Compressed air to ISO 8573-1:2010 [7:4:4]  |            |            |            |
| Note on the operating/pilot medium           |       | Lubricated operation possible (in which case lubricated operation will always be required) |            |            |            |
| Operating pressure                           | [MPa] | 0.1 ... 1  | 0.1 ... 1  | 0.25 ... 1 | 0.15 ... 1 |
|  | [bar] | 1 ... 10   | 1 ... 10   | 2.5 ... 10 | 1.5 ... 10 |
| Pilot pressure                               | [MPa] | 0.25 ... 1   | 0.25 ... 1 | 0.25 ... 1 | 0.15 ... 1 |
|  | [bar] | 2.5 ... 10   | 2.5 ... 10 | 2.5 ... 10 | 1.5 ... 10 |
| Ambient temperature                          | [°C]  | –10 ... +60  |            |            |            |
| Temperature of medium                        | [°C]  | –10 ... +60  |            |            |            |
| Certification                                |       | c UL us - Recognized (OL)  |            |            |            |
| Corrosion resistance class CRC <sup>1)</sup> |       | 2  |            |            |            |

1) More information: [www.festo.com/x/topic/kbk](http://www.festo.com/x/topic/kbk)

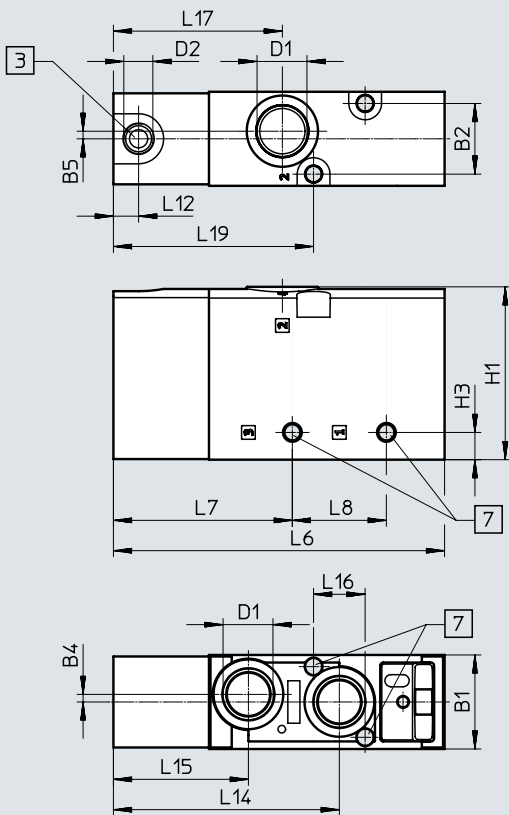
| Information on materials |  |                              |     |                         |
|--------------------------|--|------------------------------|-----|-------------------------|
| Order code for valves    |  | M32                          | T32 | B52                     |
| Housing                  |  | Die-cast aluminium (painted) |     |                         |
| Piston spool             |  | POM                          |     | Wrought aluminium alloy |
| Seals                    |  | HNBR, NBR, TPE-U(PU)         |     |                         |
| Screws                   |  | Galvanised steel             |     |                         |
| Note on materials        |  | RoHS-compliant               |     |                         |

## Data sheet

### Dimensions

Download CAD data → [www.festo.com](http://www.festo.com)

3/2-way valve, normally closed/open



- [3] Port 10: pilot air (...-M32U-...)  
Port 12: pilot air (...-M32C-...)
- [7] For retaining screw M5

| Type                 | B1 | B2   | B4  | B5  | D1   | D2   | H1 | H3 |
|----------------------|----|------|-----|-----|------|------|----|----|
| VUWS-LT30-M32...-G38 | 31 | 23.3 | 2.5 | 2.5 | G3/8 | G1/8 | 57 | 9  |

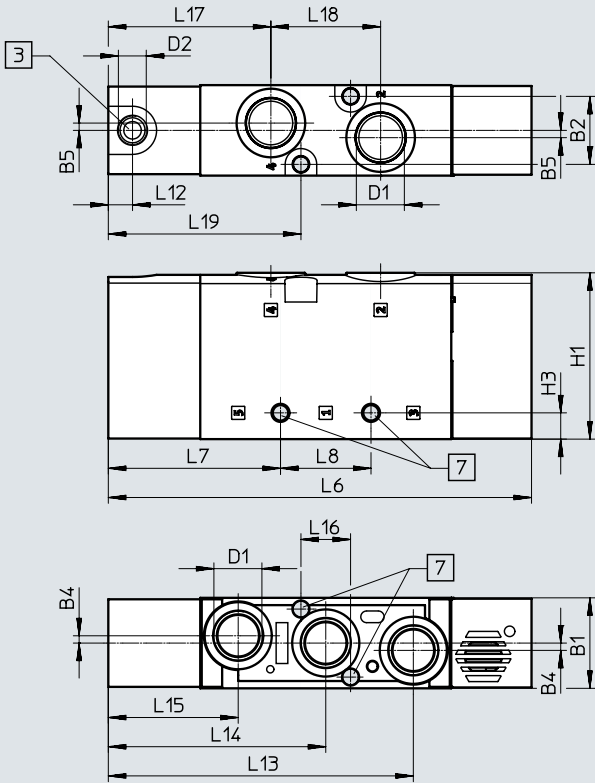
| Type                 | L6    | L7 | L8 | L12 | L14  | L15  | L16 | L17  | L19 |
|----------------------|-------|----|----|-----|------|------|-----|------|-----|
| VUWS-LT30-M32...-G38 | 109.2 | 59 | 31 | 8.3 | 74.5 | 44.5 | 17  | 55.7 | 66  |

Data sheet

Dimensions

Download CAD data → [www.festo.com](http://www.festo.com)

5/2-way valve, monostable



[3] Port 14: pilot air

[7] For retaining screw M5

| Type                  | B1 | B2   | B4  | B5  | D1   | D2   | H1 | H3 |
|-----------------------|----|------|-----|-----|------|------|----|----|
| VUWS-LT30-M52-...-G38 | 31 | 23.3 | 2.5 | 2.5 | G3/8 | G1/8 | 57 | 9  |

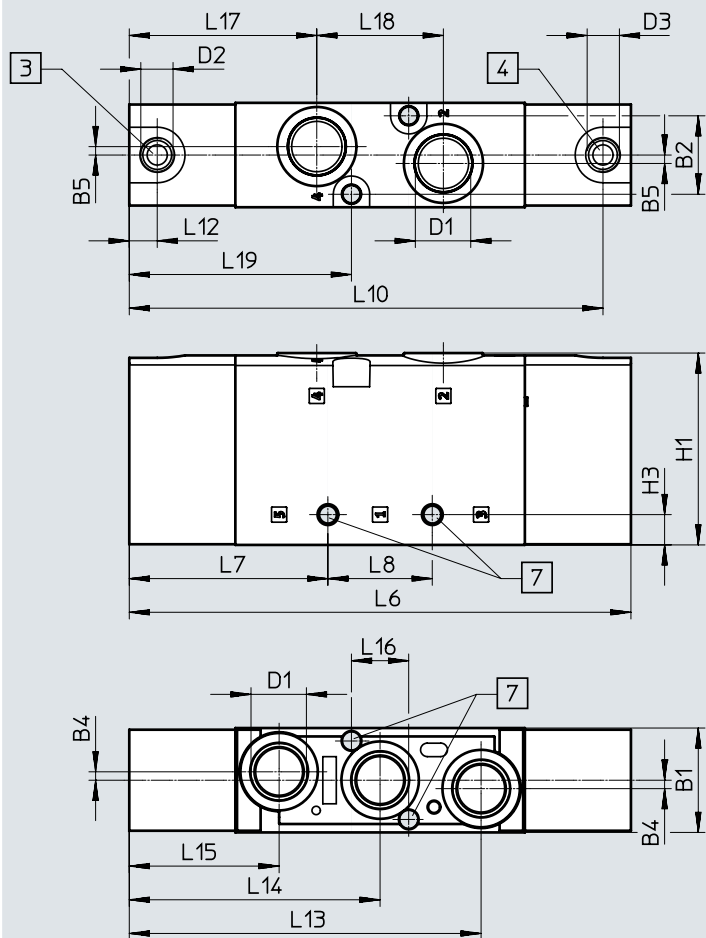
| Type                  | L6  | L7 | L8 | L12 | L13   | L14  | L15  | L16 | L17  | L18  | L19 |
|-----------------------|-----|----|----|-----|-------|------|------|-----|------|------|-----|
| VUWS-LT30-M52-...-G38 | 145 | 59 | 31 | 8.3 | 104.5 | 74.5 | 44.5 | 17  | 55.7 | 37.6 | 66  |

Data sheet

Dimensions

Download CAD data → [www.festo.com](http://www.festo.com)

2x 3/2-way valve and 5/2-way valve, bistable



- [3] Port 14: pilot air
- [4] Port 12: pilot air
- [7] For retaining screw M5

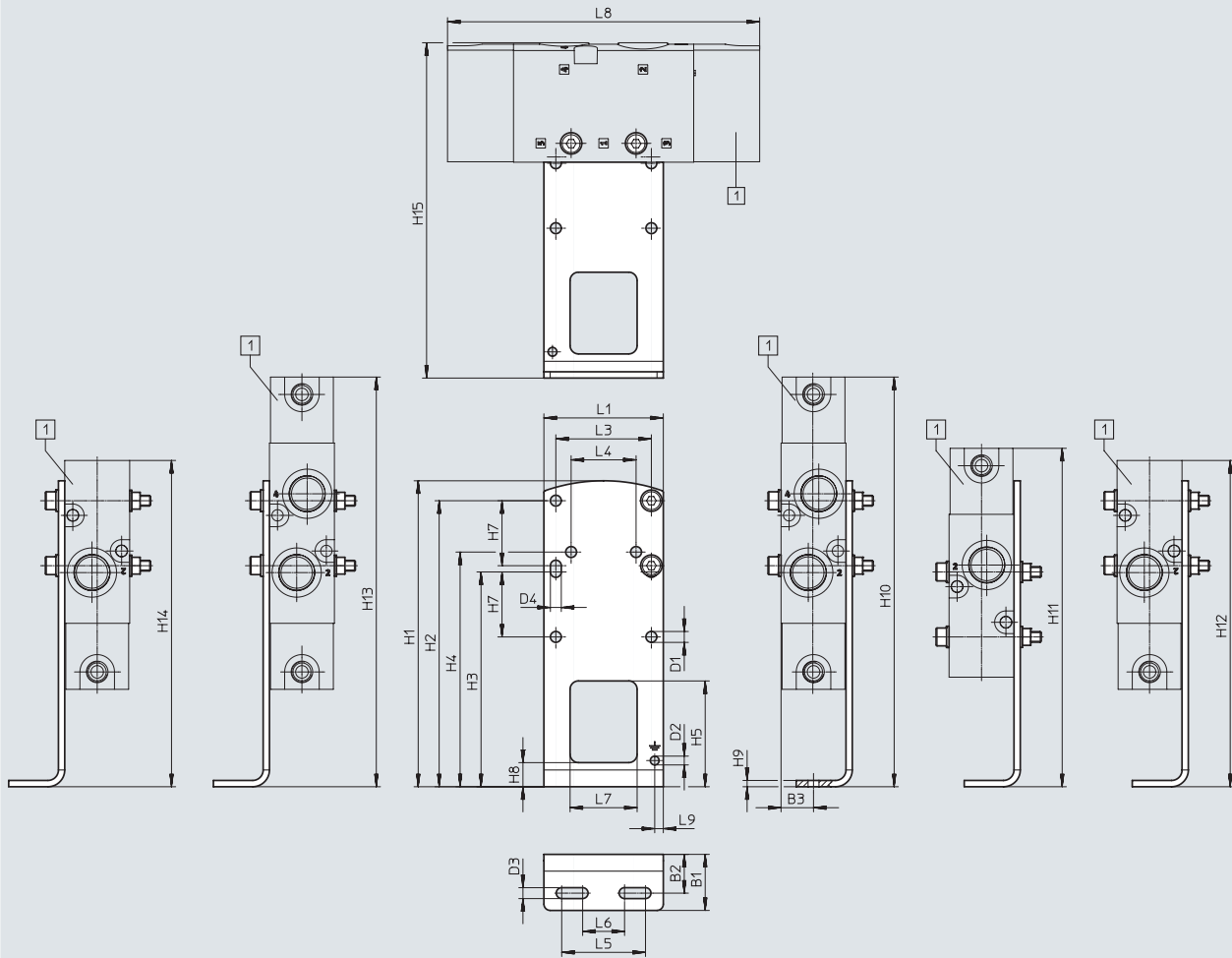
| Type                    | B1 | B2   | B4  | B5  | D1   | D2   | D3   | H1 | H3 |
|-------------------------|----|------|-----|-----|------|------|------|----|----|
| VUWS-LT30-B52-G38       | 31 | 23.3 | 2.5 | 2.5 | G3/8 | G1/8 | G1/8 | 57 | 9  |
| VUWS-LT30-T32-...-M-G38 |    |      |     |     |      |      |      |    |    |

| Type                    | L6  | L7 | L8 | L10   | L12 | L13   | L14  | L15  | L16 | L17  | L18  | L19 |
|-------------------------|-----|----|----|-------|-----|-------|------|------|-----|------|------|-----|
| VUWS-LT30-B52-G38       | 149 | 59 | 31 | 140.7 | 8.3 | 104.5 | 74.5 | 44.5 | 17  | 55.7 | 37.6 | 66  |
| VUWS-LT30-T32-...-M-G38 |     |    |    |       |     |       |      |      |     |      |      |     |

Accessories

Dimensions

Foot mounting



[1] VUWS-LT30-B52,  
VUWS-LT30-T32,  
VUWS-LT30-M52,  
VUWS-LT30-M32

| Type          |                   | B1   | B2   | B3   | D1<br>∅ | D2<br>∅ | D3  | D4  | H1  | H2    | H3    |
|---------------|-------------------|------|------|------|---------|---------|-----|-----|-----|-------|-------|
| VAME-B10-30-A | VUWS-LT30-B52/T32 | 26.8 | 18.5 | 15.5 | 5.2     | 4.2     | 5.2 | 5.2 | 146 | 136.5 | 102.5 |
|               | VUWS-LT30-M52     |      |      |      |         |         |     |     |     |       |       |
|               | VUWS-LT30-M32     |      |      |      |         |         |     |     |     |       |       |

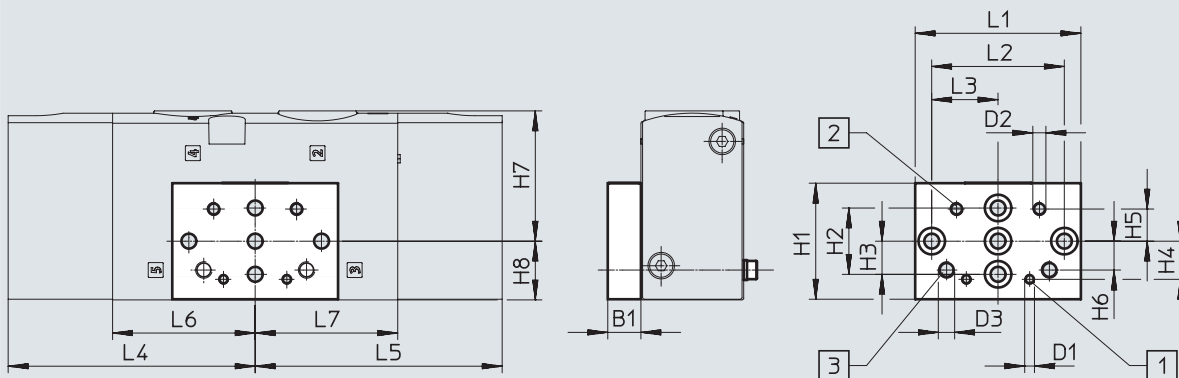
| Type          |                   | H4  | H5   | H7 | H8   | H9 | H10   | H11   | H12   | H13   | H14   |
|---------------|-------------------|-----|------|----|------|----|-------|-------|-------|-------|-------|
| VAME-B10-30-A | VUWS-LT30-B52/T32 | 112 | 50.5 | 31 | 11.5 | 3  | 195.5 | 161.5 | 195.5 | 195.5 | 195.5 |
|               | VUWS-LT30-M52     |     |      |    |      |    |       |       | 191.5 |       | 191.5 |
|               | VUWS-LT30-M32     |     |      |    |      |    |       |       | 144   |       | 144   |

| Type          |                   | H15 | L1 | L3   | L4 | L5 | L6 | L7 | L8   | L9  |
|---------------|-------------------|-----|----|------|----|----|----|----|------|-----|
| VAME-B10-30-A | VUWS-LT30-B52/T32 | 160 | 57 | 45.6 | 31 | 40 | 20 | 32 | 149  | 4.1 |
|               | VUWS-LT30-M52     |     |    |      |    |    |    |    | 145  |     |
|               | VUWS-LT30-M32     |     |    |      |    |    |    |    | 97.5 |     |

Accessories

Dimensions

Wall mounting



[1] Mounting hole for size 20

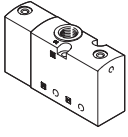
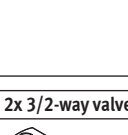
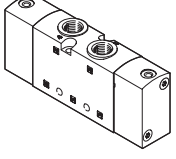

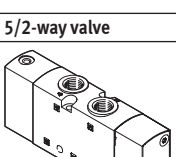
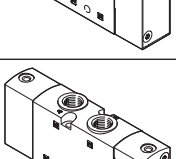
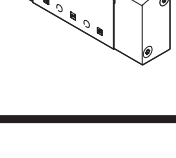
[2] Mounting hole for size 25

[3] Mounting hole for size 30



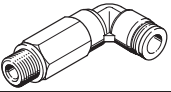
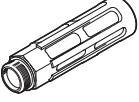

| Type          |                   | B1 | D1 | D2 | D3 | H1 | H2 | H3 | H4   | H5  | H6  |
|---------------|-------------------|----|----|----|----|----|----|----|------|-----|-----|
| VAME-B10-20-W | VUWS-LT30-B52/T32 | 10 | M3 | M4 | M5 | 35 | 20 | 10 | 11.5 | 9.7 | 8.7 |
|               | VUWS-LT30-M52     |    |    |    |    |    |    |    |      |     |     |
|               | VUWS-LT30-M32     |    |    |    |    |    |    |    |      |     |     |

| Type          |                   | H7   | H8   | L1 | L2 | L3 | L4   | L5   | L6 | L7 |
|---------------|-------------------|------|------|----|----|----|------|------|----|----|
| VAME-B10-20-W | VUWS-LT30-B52/T32 | 39.3 | 17.7 | 50 | 40 | 20 | 74.5 | 74.5 | 43 | 43 |
|               | VUWS-LT30-M52     |      |      |    |    |    |      | 70.5 |    | -  |
|               | VUWS-LT30-M32     |      |      |    |    |    |      | 23   |    |    |

## Accessories

| Ordering data – Pneumatic valves  |   |   |          |                      |
|---|---|---|----------|----------------------|
|   | Code  | Valve function  | Part no. | Type                 |
| <b>3/2-way valve</b>  |   |   |          |                      |
|    | <b>Normally closed, monostable</b>                      |   |          |                      |
|   | M32C-M  | Reset via mechanical spring,<br>internal pilot air supply,<br>flow direction not reversible | 8096574  | VUWS-LT30-M32C-M-G38 |
|    | <b>Normally open, monostable</b>                        |   |          |                      |
|   | M32U-M  | Reset via mechanical spring,<br>internal pilot air supply,<br>flow direction not reversible | 8096575  | VUWS-LT30-M32U-M-G38 |
| <b>2x 3/2-way valve</b>   |   |   |          |                      |
|    | <b>Normally closed, monostable</b>                      |   |          |                      |
|   | T32C  | Reset via mechanical spring,<br>internal pilot air supply,<br>flow direction not reversible | 8036706  | VUWS-LT30-T32C-M-G38 |
|   | <b>Normally open, monostable</b>                        |   |          |                      |
|    | <b>Normally open, monostable</b>                        |   |          |                      |
|   | T32U  | Reset via mechanical spring,<br>internal pilot air supply,<br>flow direction not reversible | 8036713  | VUWS-LT30-T32U-M-G38 |
|   | <b>1x normally open, 1x normally closed, monostable</b> |   |          |                      |
|   | T32H  | Reset via mechanical spring,<br>internal pilot air supply,<br>flow direction not reversible | 8036720  | VUWS-LT30-T32H-M-G38 |
| <b>5/2-way valve</b>  |   |   |          |                      |
|  | <b>Monostable</b>                                       |   |          |                      |
|   | M52-M   | Reset via mechanical spring,<br>internal pilot air supply,<br>flow direction not reversible | 8096576  | VUWS-LT30-M52-M-G38  |
|  | <b>Bistable</b>   |   |          |                      |
|   | B52   | Internal pilot air supply,<br>flow direction not reversible                                 | 8096577  | VUWS-LT30-B52-G38    |

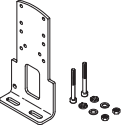
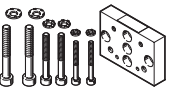
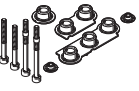

## Accessories

| Ordering data  | Description                                     |        | Part no.       | Type            | PU <sup>1)</sup> |
|--|---|--------|----------------|-----------------|------------------|
| <b>Push-in fitting with internal hex</b>   |   |        |                |                 |                  |
|    | Connecting thread G1/8 for tubing O.D.          | 4 mm   | 186106         | QS-G1/8-4-I     | 10               |
|  |   |        | 133008         | QS-G1/8-4-I-100 | 100              |
|  |   | 6 mm   | 186107         | QS-G1/8-6-I     | 10               |
|  |   |        | 133009         | QS-G1/8-6-I-100 | 100              |
|  | Connecting thread G3/8 for tubing O.D.          | 8 mm   | 186111         | QS-G3/8-8-I     | 10               |
|  |   | 10 mm  | 186113         | QS-G3/8-10-I    | 10               |
| 12 mm  |   | 186114 | QS-G3/8-12-I   | 10              |                  |
| <b>Angled push-in fitting with external hex</b>                                    |   |        |                |                 |                  |
|    | Connecting thread G3/8 for tubing O.D.          | 8 mm   | 186121         | QSL-G3/8-8      | 10               |
|  |   |        | 132055         | QSL-G3/8-8-50   | 50               |
|  | 10 mm   | 186123 | QSL-G3/8-10    | 10              |                  |
|  |   | 132056 | QSL-G3/8-10-20 | 20              |                  |
|  | 12 mm   | 186124 | QSL-G3/8-12    | 10              |                  |
|  |   | 132057 | QSL-G3/8-12-20 | 20              |                  |
| <b>Angled push-in fitting, long, with external hex</b>                             |   |        |                |                 |                  |
|    | Connecting thread G3/8 for tubing O.D.          | 8 mm   | 186132         | QSL-G3/8-8      | 10               |
|  |   | 10 mm  | 186134         | QSL-G3/8-10     | 10               |
|  |   | 12 mm  | 186135         | QSL-G3/8-12     | 10               |
| <b>Silencer</b>  |   |        |                |                 |                  |
|   | With connecting thread G, metal design          | G3/8   | 6843           | U-3/8-B         | 1                |
|  |   |        |                |                 |                  |
|  | With connecting thread G, sintered design, long | G3/8   | 1205862        | AMTE-M-LH-G38   | 10               |


1) Packaging unit



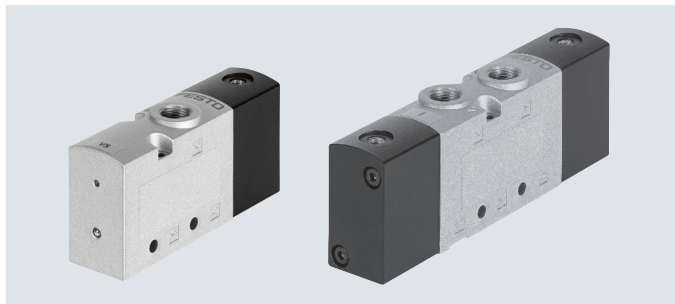
## Accessories

| Ordering data   | Description  | Weight [g] | Part no. | Type           |
|---|--|------------|----------|----------------|
| <b>Foot mounting</b>  |  |            |          |                |
|  | Set for mounting valves, comprising: <ul style="list-style-type: none"> <li>• Mounting bracket and</li> <li>• Screw set for mounting</li> </ul>                  | -          | 8026337  | VAME-B10-30-A  |
| <b>Wall mounting</b>  |  |            |          |                |
|  | Set for mounting valves for size 20, 25, 30, comprising: <ul style="list-style-type: none"> <li>• Wall mounting and</li> <li>• Screw set for mounting</li> </ul> | 53         | 576413   | VAME-B10-20-W  |
| <b>Assortment of spare parts</b>  |  |            |          |                |
|  | Set comprising: <ul style="list-style-type: none"> <li>• Seals and</li> <li>• Screws</li> </ul>  | -          | 8035637  | VAME-B10-30-MK |
| <b>Inscription label</b>  |  |            |          |                |
|  | 40 pieces in frame   | -          | 565306   | ASLR-C-E4      |

## Data sheet

-  - Flow rate  
up to 700 l/min

-  - Valve width  
21 mm



### General technical data

| Valve function                         | 3/2  |      | 5/2                   |      | 5/3  |      |      |
|--|--|------|-----------------------|------|------|------|------|
| Order code for valves                  | M32C   | M32U | M52                   | B52  | P53C | P53U | P53E |
| Valve width [mm]                       | 21   |      |                       |      |      |      |      |
| Design                                 | Piston spool   |      |                       |      |      |      |      |
| Pneumatic spring supply                | Internal or external (external: identified by E in type code)  |      |                       |      |      |      |      |
| Type of control                        | Direct   |      |                       |      |      |      |      |
| Manual override (MO)                   | None   |      |                       |      |      |      |      |
| Flow direction                         | Reversible with restrictions                                   |      |                       |      |      |      |      |
| Overlap                                | Positive overlap   |      |                       |      |      |      |      |
| Sealing principle                      | Soft   |      |                       |      |      |      |      |
| Type of mounting                       | Optionally via through-holes <sup>1)</sup> or on manifold rail |      |                       |      |      |      |      |
| Standard nominal flow rate qnN [l/min] | 700  |      | 700                   |      | 700  | 600  | 600  |
| Through-holes (nominal width) [mm]     | 5.7  |      | 5.7                   |      | 5.0  | 4.8  | 4.5  |
| Product weight [g]                     | 145  |      | 178/190 <sup>2)</sup> |      | 211  | 207  | 207  |
| Type of actuation                      | Pneumatic  |      |                       |      |      |      |      |
| Mounting position                      | Any  |      |                       |      |      |      |      |
| Exhaust function                       | Can be throttled   |      |                       |      |      |      |      |
| Venting hole                           | Not ducted   |      |                       |      |      |      |      |
| Pneumatic connection                   | 1, 2, 3  | G1/8 | G1/8                  | G1/8 | G1/8 | G1/8 | G1/8 |
|  | 4, 5   | -    | -                     | G1/8 | G1/8 | G1/8 | G1/8 |
| Pneumatic spring connection 12/14, 10  | M5   |      |                       |      |      |      |      |

- 1) If several valves are to be screwed together via through-holes to form a block, a minimum distance of 0.3 mm must be ensured by placing spacer discs between them.  
2) With external pneumatic spring: 190 g, with internal pneumatic spring or mechanical spring: 178 g

## Data sheet

| Technical data – 3/2-way valves |             |                  |  |                  |  |
|---------------------------------|-------------|------------------|--|------------------|--|
| Order code for valves           |             | M32C             |  | M32U             |  |
| Normal position                 |             | Closed           |  | Open             |  |
| Stable position                 |             | Monostable       |  | Monostable       |  |
| Reset method                    |             | Pneumatic spring | Mechanical spring (supported internally by pneumatic spring) | Pneumatic spring | Mechanical spring (supported internally by pneumatic spring) |
| Switching times in [ms]         | On          | 7                | 10   | 7                | 10   |
|                                 | Off         | 15               | 28   | 15               | 28   |
|                                 | Change-over | –                | –  | –                | –  |

| Technical data – 5/2-way valves |             |                  |                   |          |
|---------------------------------|-------------|------------------|-------------------|----------|
| Order code for valves           |             | M52              |                   | B52      |
| Stable position                 |             | Monostable       |                   | Bistable |
| Reset method                    |             | Pneumatic spring | Mechanical spring | –        |
| Switching times in [ms]         | On          | 13               | 7                 | –        |
|                                 | Off         | 26               | 39                | –        |
|                                 | Change-over | –                | –                 | 6        |

| Technical data – 5/3-way valves |             |                   |    |      |      |
|---------------------------------|-------------|-------------------|----|------|------|
| Order code for valves           |             | P53C              |    | P53U | P53E |
| Stable position                 |             | Monostable        |    |      |      |
| Reset method                    |             | Mechanical spring |    |      |      |
| Switching times in [ms]         | On          | 10                | 10 | 10   |      |
|                                 | Off         | 44                | 43 | 46   |      |
|                                 | Change-over | 26                | 21 | 21   |      |

| Safety characteristics |  |
|------------------------|--|
| Shock resistance       | Shock test with severity level 2 to FN 942017-5 and EN 60068-2-27                |
| Vibration resistance   | Transport application test with severity level 2 to FN 942017-4 and EN 60068-2-6 |

| Operating and environmental conditions       |       |  |                  |            |                |              |              |
|--|-------|--|------------------|------------|----------------|--------------|--------------|
| Valve function                               |       | M32 ... A<br>M32 ... M   | M32C-E<br>M32U-E | M52-A      | M52-E<br>M52-M | B52          | P53          |
| Operating medium                             |       | Compressed air to ISO 8573-1:2010 [7:4:4]  |                  |            |                |              |              |
| Pilot medium                                 |       | Compressed air to ISO 8573-1:2010 [7:4:4]  |                  |            |                |              |              |
| Note on the operating/pilot medium           |       | Lubricated operation possible (in which case lubricated operation will always be required) |                  |            |                |              |              |
| Operating pressure                           | [MPa] | 0.25 ... 1   | –0.09 ... +1     | 0.25 ... 1 | –0.09 ... +1   | –0.09 ... +1 | –0.09 ... +1 |
|  | [bar] | 2.5 ... 10   | –0.9 ... +10     | 2.5 ... 10 | –0.9 ... +10   | –0.9 ... +10 | –0.9 ... +10 |
| Pilot pressure                               | [MPa] | 0.25 ... 1   | 0.25 ... 1       | 0.25 ... 1 | 0.25 ... 1     | 0.15 ... 1   | 0.25 ... 1   |
|  | [bar] | 2.5 ... 10   | 2.5 ... 10       | 2.5 ... 10 | 2.5 ... 10     | 1.5 ... 10   | 2.5 ... 10   |
| Ambient temperature                          | [°C]  | –10 ... +60  |                  |            |                |              |              |
| Temperature of medium                        | [°C]  | –10 ... +60  |                  |            |                |              |              |
| Certification                                |       | c UL us - Recognized (OL)  |                  |            |                |              |              |
| Corrosion resistance class CRC <sup>1)</sup> |       | 2  |                  |            |                |              |              |

1) More information: [www.festo.com/x/topic/kbk](http://www.festo.com/x/topic/kbk)

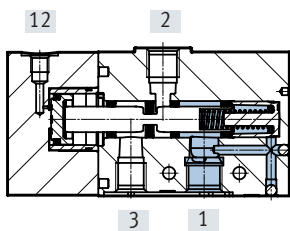
## Data sheet

| Information on materials |   |
|--------------------------|---|
| Housing                  | Die-cast aluminium (painted)                                    |
| Seals                    | HNBR, NBR   |
| Piston spool             | Wrought aluminium alloy (P53 types: High-alloy stainless steel) |
| Screws                   | Galvanised steel  |
| Note on materials        | RoHS-compliant  |

### Special features of pneumatic 3/2-way valves

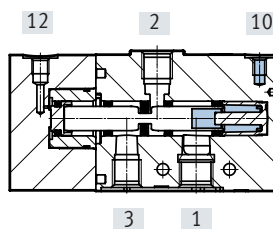
Reset: mechanical spring

Reset: pneumatic spring



#### Internal pneumatic spring

- Faster switch-off time
- In the case of dual-pressure operation, the higher pressure must always be present at port 1
- Pressure on port 2 not permitted



#### External pneumatic spring

- Can be used as a bistable valve
- Signal pressure depends on the pressure of the pneumatic spring
- No impairment of the switching function caused by vacuum
- Pressure is permitted on port 2

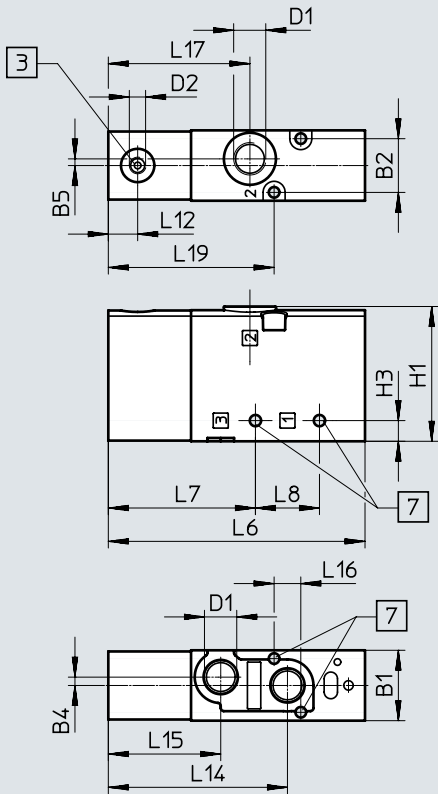
Data sheet

Dimensions

Download CAD data → [www.festo.com](http://www.festo.com)

3/2-way valve, normally closed/open

3/2-way valve, normally closed/open, external pilot air



- [3] Port 10: pilot air (...-M32U-...)  
Port 12: pilot air (...-M32C-...)
- [4] Port 10: for external pneumatic spring (...-M32C-E-...)  
Port 12: for external pneumatic spring (...-M32U-E-...)
- [7] For retaining screw M3

| Type                    | B1   | B2   | B3  | B4  | B5 | D1   | D2 | D3 | H1   | H3  |
|-------------------------|------|------|-----|-----|----|------|----|----|------|-----|
| VUWS-L20-M32C-...-G18   | 21.1 | 16.1 | -   | 2.5 | 2  | G1/8 | M5 | -  | 40.4 | 6.2 |
| VUWS-L20-M32U-...-G18   |      |      | -   |     |    |      |    | -  |      |     |
| VUWS-L20-M32C-E-...-G18 |      |      | 1.5 |     |    |      |    | M5 |      |     |
| VUWS-L20-M32U-E-...-G18 |      |      | 1.5 |     |    |      |    | M5 |      |     |

| Type                    | L6 | L7   | L8   | L10 | L12 | L14  | L15  | L16 | L17  | L19  |
|-------------------------|----|------|------|-----|-----|------|------|-----|------|------|
| VUWS-L20-M32C-...-G18   | 77 | 44.1 | 19.2 | -   | 8.8 | 53.7 | 33.7 | 8   | 42.5 | 49.7 |
| VUWS-L20-M32U-...-G18   |    |      |      | -   |     |      |      |     |      |      |
| VUWS-L20-M32C-E-...-G18 |    |      |      | 72  |     |      |      |     |      |      |
| VUWS-L20-M32U-E-...-G18 |    |      |      | 72  |     |      |      |     |      |      |

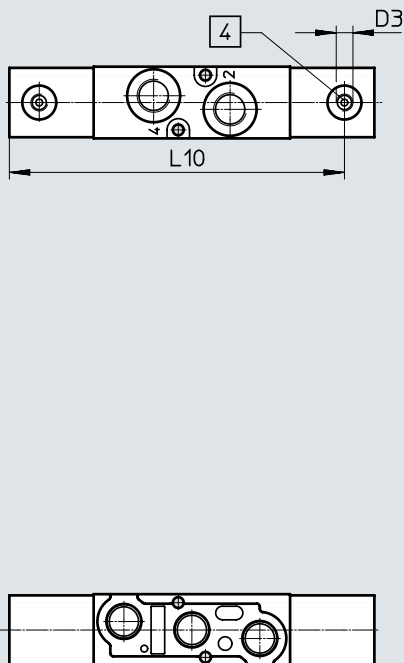
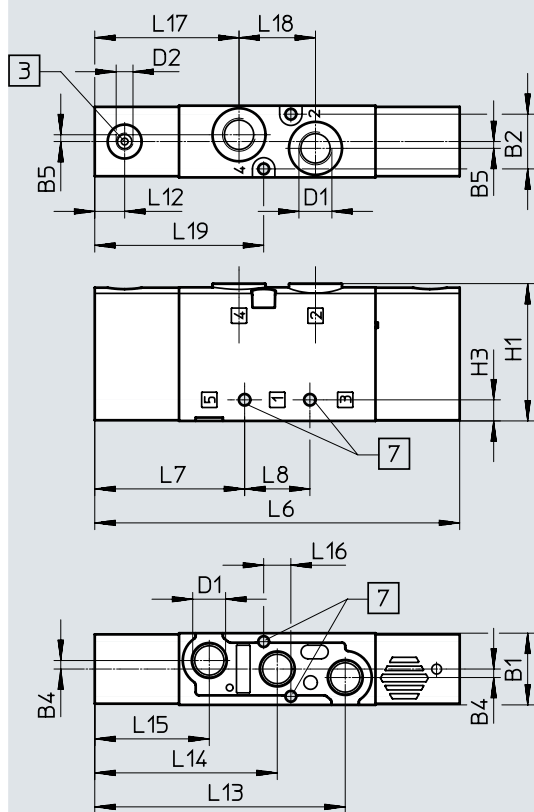
Data sheet

Dimensions

Download CAD data → [www.festo.com](http://www.festo.com)

5/2-way valve, monostable, external pilot air

5/2-way valve, monostable



- [3] Port 14: pilot air (-M52-...)
- [4] Port 12: pilot air (pneumatic spring) (...M52-E-...)
- [7] For retaining screw M4

| Type                 | B1   | B2   | B4  | B5 | D1   | D2 | D3 | H1   | H3  |
|----------------------|------|------|-----|----|------|----|----|------|-----|
| VUWS-L20-M52-...-G18 | 21.1 | 16.1 | 2.5 | 2  | G1/8 | M5 | -  | 40.4 | 5.8 |
| VUWS-L20-M52-E-G18   |      |      |     |    | G1/8 | M5 | M5 |      |     |

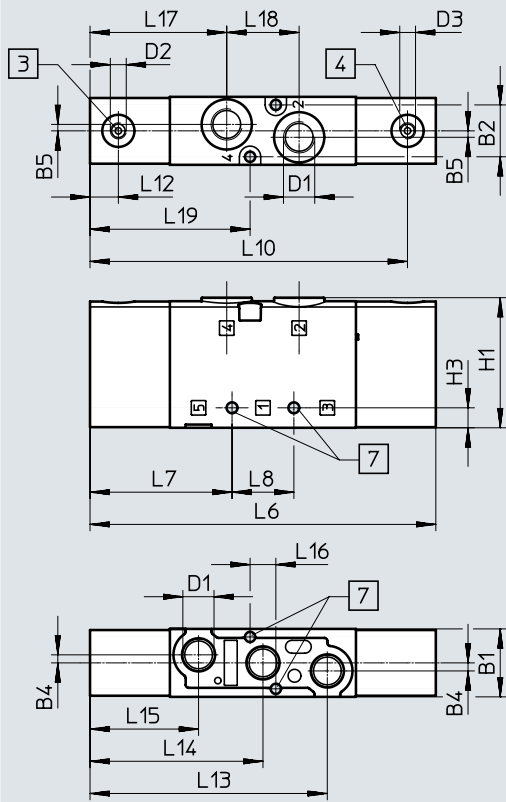
| Type                 | L6    | L7   | L8 | L10  | L12 | L13  | L14  | L15  | L16 | L17  | L18  | L19  | L20 |
|----------------------|-------|------|----|------|-----|------|------|------|-----|------|------|------|-----|
| VUWS-L20-M52-...-G18 | 107.4 | 44.7 | 18 | -    | 8.8 | 73.7 | 53.7 | 33.7 | 8   | 42.5 | 22.5 | 49.7 | 20  |
| VUWS-L20-M52-E-G18   |       |      |    | 98.6 |     |      |      |      |     |      |      |      |     |

Data sheet

Dimensions

Download CAD data → [www.festo.com](http://www.festo.com)

5/2-way valve, bistable, 5/3-way valve



- [3] Port 14: pilot air
- [4] Port 12: pilot air
- [7] For retaining screw M4

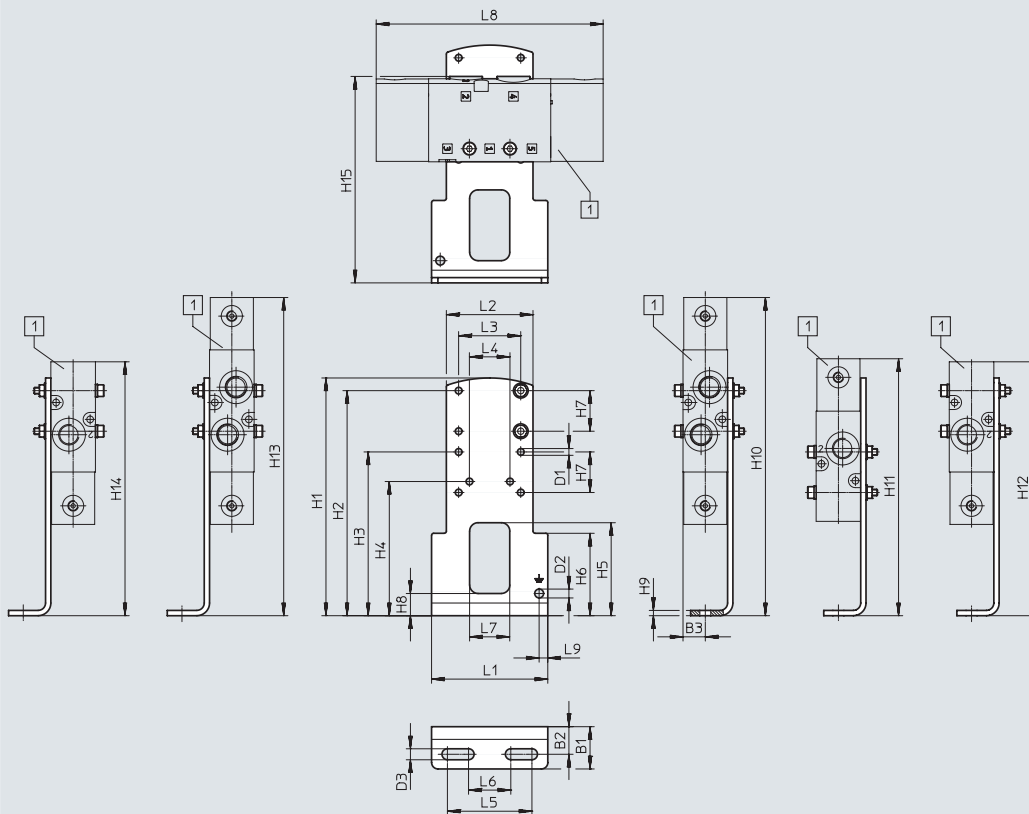
| Type                   | B1   | B2   | B4  | B5 | D1   | D2 | D3 | H1   | H3  |
|------------------------|------|------|-----|----|------|----|----|------|-----|
| VUWS-L20-P53-...-M-G18 | 21.1 | 16.1 | 2.5 | 2  | G1/8 | M5 | M5 | 40.4 | 5.8 |
| VUWS-L20-B52-G18       |      |      |     |    |      |    |    |      |     |

| Type                   | L6    | L7   | L8 | L10  | L12 | L13  | L14  | L15  | L16 | L17  | L18  | L19  | L20 |
|------------------------|-------|------|----|------|-----|------|------|------|-----|------|------|------|-----|
| VUWS-L20-P53-...-M-G18 | 107.4 | 44.7 | 18 | 98.6 | 8.8 | 73.7 | 53.7 | 33.7 | 8   | 42.5 | 22.5 | 49.7 | 20  |
| VUWS-L20-B52-G18       |       |      |    |      |     |      |      |      |     |      |      |      |     |

Data sheet

Dimensions

Foot mounting



[1] VUWS-L20-B52,  
VUWS-L20-P53,  
VUWS-L20-M52,  
VUWS-L20-M32

| Type          |                  | B1 | B2   | B3   | D1<br>∅ | D2<br>∅ | D3<br>∅ | H1    | H2    | H3   | H4   |
|---------------|------------------|----|------|------|---------|---------|---------|-------|-------|------|------|
| VAME-B10-20-A | VUWS-L20-B52/P53 | 20 | 13.1 | 10.6 | 3.2     | 4.2     | 5.2     | 112.5 | 106.5 | 77.5 | 63.5 |
|               | VUWS-L20-M52     |    |      |      |         |         |         |       |       |      |      |
|               | VUWS-L20-M32     |    |      |      |         |         |         |       |       |      |      |

| Type          |                  | H5 | H6 | H7   | H8   | H9  | H10   | H11   | H12   | H13   | H14   |
|---------------|------------------|----|----|------|------|-----|-------|-------|-------|-------|-------|
| VAME-B10-20-A | VUWS-L20-B52/P53 | 44 | 39 | 19.2 | 10.5 | 2.5 | 150.6 | 121.6 | 150.6 | 150.6 | 150.6 |
|               | VUWS-L20-M52     |    |    |      |      |     |       |       | 120.2 |       |       |
|               | VUWS-L20-M32     |    |    |      |      |     |       |       | 120.2 |       |       |

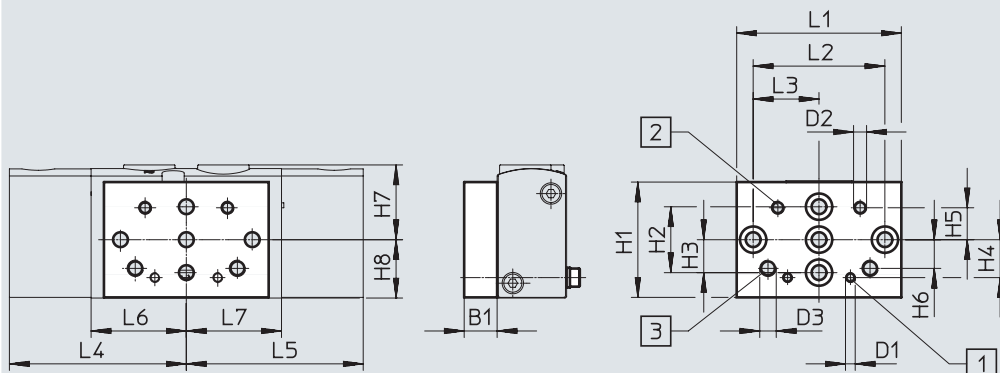
| Type          |                  | H15  | L1 | L2 | L3   | L4   | L5 | L6 | L7 | L8    | L9  |
|---------------|------------------|------|----|----|------|------|----|----|----|-------|-----|
| VAME-B10-20-A | VUWS-L20-B52/P53 | 97.7 | 55 | 41 | 29.4 | 19.2 | 40 | 20 | 19 | 107.4 | 4.1 |
|               | VUWS-L20-M52     |      |    |    |      |      |    |    |    | 77    |     |
|               | VUWS-L20-M32     |      |    |    |      |      |    |    |    | 77    |     |



## Data sheet

### Dimensions

Wall mounting



[1] Mounting hole for size 20

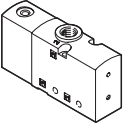
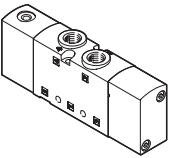
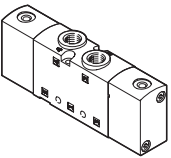
[2] Mounting hole for size 25

[3] Mounting hole for size 30



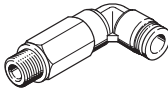
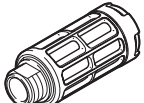


| Type          |                  | B1 | D1 | D2 | D3 | H1 | H2 | H3 | H4   | H5  | H6  |
|---------------|------------------|----|----|----|----|----|----|----|------|-----|-----|
| VAME-B10-20-W | VUWS-L20-B52/P53 | 10 | M3 | M4 | M5 | 35 | 20 | 10 | 11.5 | 9.7 | 8.7 |
|               | VUWS-L20-M52     |    |    |    |    |    |    |    |      |     |     |
|               | VUWS-L20-M32     |    |    |    |    |    |    |    |      |     |     |

| Type          |                  | H7   | H8   | L1 | L2 | L3 | L4   | L5   | L6   | L7   |
|---------------|------------------|------|------|----|----|----|------|------|------|------|
| VAME-B10-20-W | VUWS-L20-B52/P53 | 22.7 | 17.7 | 50 | 40 | 20 | 53.7 | 53.7 | 28.9 | 28.9 |
|               | VUWS-L20-M52     |      |      |    |    |    |      |      |      |      |
|               | VUWS-L20-M32     |      |      |    |    |    |      |      |      |      |

## Ordering data – Pneumatic valves, size 20

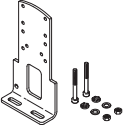
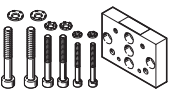
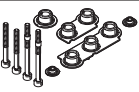
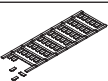
| Ordering data – Pneumatic valves   |                                    |  |                  |                     |
|--|------------------------------------|--|------------------|---------------------|
|  | Code                               | Valve function   | Part no.         | Type                |
| <b>3/2-way valve</b>   |                                    |  |                  |                     |
|    | <b>Normally closed, monostable</b> |  |                  |                     |
|  | M32C-A                             | Reset via pneumatic spring, internal pneumatic spring, flow direction not reversible               | 575669           | VUWS-L20-M32C-A-G18 |
|  | M32C-E                             | Reset via pneumatic spring, external pneumatic spring, flow direction reversible                   | 575670           | VUWS-L20-M32C-E-G18 |
|  | M32C-M                             | Reset via mechanical spring, supported by internal pneumatic spring, flow direction not reversible | 575671           | VUWS-L20-M32C-M-G18 |
|  | <b>Normally open, monostable</b>   |  |                  |                     |
|  | M32U-A                             | Reset via pneumatic spring, internal pneumatic spring, flow direction not reversible               | 575672           | VUWS-L20-M32U-A-G18 |
|  | M32U-E                             | Reset via pneumatic spring, external pneumatic spring, flow direction reversible                   | 575673           | VUWS-L20-M32U-E-G18 |
|  | M32U-M                             | Reset via mechanical spring, supported by internal pneumatic spring, flow direction not reversible | 575674           | VUWS-L20-M32U-M-G18 |
|  | <b>5/2-way valve</b>               |  |                  |                     |
|   | <b>Monostable</b>                  |  |                  |                     |
|  | M52-A                              | Reset via pneumatic spring, internal pneumatic spring, flow direction not reversible               | 575677           | VUWS-L20-M52-A-G18  |
|  | M52-E                              | Reset via pneumatic spring, external pneumatic spring, flow direction reversible                   | 575678           | VUWS-L20-M52-E-G18  |
|  | M52-M                              | Reset via mechanical spring, flow direction reversible   | 575681           | VUWS-L20-M52-M-G18  |
|  | <b>Bistable</b>                    |  |                  |                     |
| B52  | Flow direction reversible          | 575684   | VUWS-L20-B52-G18 |                     |
| <b>5/3-way valve</b>   |                                    |  |                  |                     |
|  | P53C                               | Closed, Reset via mechanical spring, flow direction reversible                                     | 575687           | VUWS-L20-P53C-M-G18 |
|  | P53E                               | Exhausted, Reset via mechanical spring, flow direction reversible                                  | 575693           | VUWS-L20-P53E-M-G18 |
|  | P53U                               | Pressurised, Reset via mechanical spring, flow direction reversible                                | 575690           | VUWS-L20-P53U-M-G18 |

## Accessories


| Ordering data   |   | Description | Part no. | Type            | PU <sup>1)</sup> |
|---|---|-------------|----------|-----------------|------------------|
| <b>Push-in fitting with internal hex</b>  |   |             |          |                 |                  |
|    | Connecting thread M5 for tubing O.D.            | 4 mm        | 153315   | QSM-M5-4-I      | 10               |
|   | Connecting thread G1/8 for tubing O.D.          | 4 mm        | 186106   | QS-G1/8-4-I     | 10               |
|   |   | 4 mm        | 133008   | QS-G1/8-4-I-100 | 100              |
|   |   | 6 mm        | 186107   | QS-G1/8-6-I     | 10               |
|   |   |             | 133009   | QS-G1/8-6-I-100 | 100              |
|   |   | 8 mm        | 186109   | QS-G1/8-8-I     | 10               |
|   |   |             | 133010   | QS-G1/8-8-I-100 | 100              |
| <b>Angled push-in fitting with external hex</b>                                     |   |             |          |                 |                  |
|    | Connecting thread G1/8 for tubing O.D.          | 4 mm        | 186116   | QSL-G1/8-4      | 10               |
|   |   |             | 132048   | QSL-G1/8-4-100  | 100              |
|   |   | 6 mm        | 186117   | QSL-G1/8-6      | 10               |
|   |   |             | 132049   | QSL-G1/8-6-100  | 100              |
|   |   | 8 mm        | 186119   | QSL-G1/8-8      | 10               |
|   |   |             | 132050   | QSL-G1/8-8-50   | 50               |
| <b>Angled push-in fitting, long, with external hex</b>                              |   |             |          |                 |                  |
|    | Connecting thread G1/8 for tubing O.D.          | 4 mm        | 186127   | QSL-G1/8-4      | 10               |
|   |   |             | 133015   | QSL-G1/8-4-100  | 100              |
|   |   | 6 mm        | 186128   | QSL-G1/8-6      | 10               |
|   |   |             | 133016   | QSL-G1/8-6-100  | 100              |
|   |   | 8 mm        | 186130   | QSL-G1/8-8      | 10               |
|   |   |             | 133017   | QSL-G1/8-8-100  | 100              |
| <b>Silencer</b>   |   |             |          |                 |                  |
|  | With connecting thread G, polymer design        | G1/8        | 2307     | U-1/8           | 1                |
|   |   |             | 534222   | U-1/8-50        | 50               |
|  | With connecting thread G, metal design          | G1/8        | 6841     | U-1/8-B         | 1                |
|  | With connecting thread G, sintered design, long | G1/8        | 1205860  | AMTE-M-LH-G18   | 20               |

1) Packaging unit

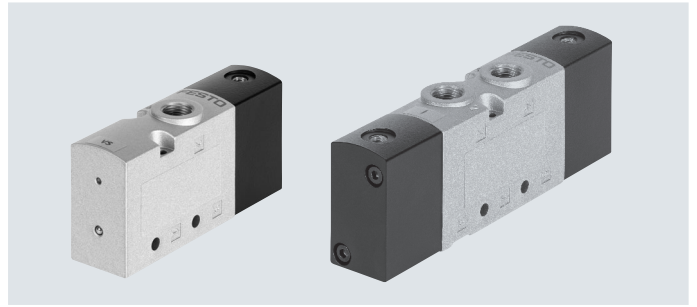
## Accessories

| Ordering data  | Description  | Weight [g] | Part no. | Type           |
|--|--|------------|----------|----------------|
| <b>Foot mounting</b>   |  |            |          |                |
|  | Set for mounting valves, comprising: <ul style="list-style-type: none"> <li>• Mounting bracket and</li> <li>• Screw set for mounting</li> </ul>                  | 97         | 576412   | VAME-B10-20-A  |
| <b>Wall mounting</b>   |  |            |          |                |
|  | Set for mounting valves for size 20, 25, 30, comprising: <ul style="list-style-type: none"> <li>• Wall mounting and</li> <li>• Screw set for mounting</li> </ul> | 53         | 576413   | VAME-B10-20-W  |
| <b>Assortment of spare parts</b>   |  |            |          |                |
|  | Set comprising: <ul style="list-style-type: none"> <li>• Seals and</li> <li>• Screws</li> </ul>  | 10         | 8026203  | VAME-B10-20-MK |
| <b>Inscription label</b>   |  |            |          |                |
|  | 40 pieces in frame   | -          | 565306   | ASLR-C-E4      |

## Data sheet

-  - Flow rate  
up to 1300 l/min

-  - Valve width  
26.5 mm



| General technical data                            |   |      |                       |      |      |      |      |      |
|---|---|------|-----------------------|------|------|------|------|------|
| Valve function                                    | 3/2   |      |                       | 5/2  |      | 5/3  |      |      |
| Order code for valves                             | M32C  | M32U | M52                   | B52  | P53C | P53U | P53E |      |
| Valve width [mm]                                  | 26.5  |      |                       |      |      |      |      |      |
| Design  | Piston spool  |      |                       |      |      |      |      |      |
| Pneumatic spring supply                           | Internal or external (external: identified by E in type code)               |      |                       |      |      |      |      |      |
| Type of control                                   | Direct  |      |                       |      |      |      |      |      |
| Manual override (MO)                              | None  |      |                       |      |      |      |      |      |
| Flow direction                                    | Reversible with restrictions (not reversible: identified by A in type code) |      |                       |      |      |      |      |      |
| Overlap   | Positive overlap  |      |                       |      |      |      |      |      |
| Sealing principle                                 | Soft  |      |                       |      |      |      |      |      |
| Type of mounting                                  | Optionally via through-holes <sup>1)</sup> or on manifold rail              |      |                       |      |      |      |      |      |
| Standard nominal flow rate q <sub>N</sub> [l/min] | 1000  | 1000 | 1300                  | 1300 | 1200 | 1000 | 1000 |      |
| Through-holes (nominal width) [mm]                | 6.3   | 6.3  | 6.9                   | 6.9  | 6.5  | 6.3  | 6.3  |      |
| Product weight [g]                                | 268   | 268  | 330/360 <sup>2)</sup> | 363  | 364  | 364  | 364  |      |
| Type of actuation                                 | Pneumatic   |      |                       |      |      |      |      |      |
| Mounting position                                 | Any   |      |                       |      |      |      |      |      |
| Exhaust function                                  | Can be throttled  |      |                       |      |      |      |      |      |
| Venting hole                                      | Not ducted  |      |                       |      |      |      |      |      |
| Pneumatic connection                              | 1, 2, 3<br>4, 5   | G1/4 | G1/4                  | G1/4 | G1/4 | G1/4 | G1/4 | G1/4 |
| Pneumatic spring connection 12/14, 10             | M5  |      |                       |      |      |      |      |      |

1) If several valves are to be screwed together via through-holes to form a block, a minimum distance of 0.3 mm must be ensured by placing spacer discs between them.

2) With external pneumatic spring: 360 g, with internal pneumatic spring or mechanical spring: 330 g

| Technical data – 3/2-way valves |             |                  |    |                   |            |                  |    |                   |  |
|---------------------------------|-------------|------------------|----|-------------------|------------|------------------|----|-------------------|--|
| Order code for valves           |             | M32C             |    |                   | M32U       |                  |    |                   |  |
| Normal position                 |             | Closed           |    |                   | Open       |                  |    |                   |  |
| Stable position                 |             | Monostable       |    |                   | Monostable |                  |    |                   |  |
| Reset method                    |             | Pneumatic spring |    | Mechanical spring |            | Pneumatic spring |    | Mechanical spring |  |
| Switching times in [ms]         | On          | 10               | 10 | 10                | 10         | 10               | 10 | 10                |  |
|                                 | Off         | 25               | 43 | 25                | 25         | 25               | 43 | 43                |  |
|                                 | Change-over | –                | –  | –                 | –          | –                | –  | –                 |  |

## Data sheet

| Technical data – 5/2-way valves |             |                  |                   |
|---------------------------------|-------------|------------------|-------------------|
| Order code for valves           |             | M52              | B52               |
| Stable position                 |             | Monostable       |                   |
| Reset method                    |             | Pneumatic spring | Mechanical spring |
| Switching times in [ms]         | On          | 15               | 10                |
|                                 | Off         | 32               | 42                |
|                                 | Change-over | –                | –                 |
|                                 |             |                  | 10                |

| Technical data – 5/3-way valves |             |                   |      |      |
|---------------------------------|-------------|-------------------|------|------|
| Order code for valves           |             | P53C              | P53U | P53E |
| Stable position                 |             | Monostable        |      |      |
| Reset method                    |             | Mechanical spring |      |      |
| Switching times in [ms]         | On          | 13                | 13   | 13   |
|                                 | Off         | 65                | 65   | 65   |
|                                 | Change-over | 30                | 30   | 30   |

| Safety characteristics |  |
|------------------------|--|
| Shock resistance       | Shock test with severity level 2 to FN 942017-5 and EN 60068-2-27                |
| Vibration resistance   | Transport application test with severity level 2 to FN 942017-4 and EN 60068-2-6 |

| Operating and environmental conditions       |       |  |                        |            |                |              |              |
|--|-------|--|------------------------|------------|----------------|--------------|--------------|
| Valve function                               |       | M32 ... A  | M32 ... E<br>M32 ... M | M52-A      | M52-E<br>M52-M | B52          | P53          |
| Operating medium                             |       | Compressed air to ISO 8573-1:2010 [7:4:4]  |                        |            |                |              |              |
| Pilot medium                                 |       | Compressed air to ISO 8573-1:2010 [7:4:4]  |                        |            |                |              |              |
| Note on the operating/pilot medium           |       | Lubricated operation possible (in which case lubricated operation will always be required) |                        |            |                |              |              |
| Operating pressure                           | [MPa] | 0.25 ... 1   | –0.09 ... +1           | 0.25 ... 1 | –0.09 ... +1   | –0.09 ... +1 | –0.09 ... +1 |
|  | [bar] | 2.5 ... 10   | –0.9 ... +10           | 2.5 ... 10 | –0.9 ... +10   | –0.9 ... +10 | –0.9 ... +10 |
| Pilot pressure                               | [MPa] | 0.25 ... 1   | 0.25 ... 1             | 0.25 ... 1 | 0.25 ... 1     | 0.15 ... 1   | 0.25 ... 1   |
|  | [bar] | 2.5 ... 10   | 2.5 ... 10             | 2.5 ... 10 | 2.5 ... 10     | 1.5 ... 10   | 2.5 ... 10   |
| Ambient temperature                          | [°C]  | –10 ... +60  |                        |            |                |              |              |
| Temperature of medium                        | [°C]  | –10 ... +60  |                        |            |                |              |              |
| Certification                                |       | c UL us - Recognized (OL)  |                        |            |                |              |              |
| Corrosion resistance class CRC <sup>1)</sup> |       | 2  |                        |            |                |              |              |

1) More information: [www.festo.com/x/topic/kbk](http://www.festo.com/x/topic/kbk)

| Information on materials |                              |
|--------------------------|------------------------------|
| Housing                  | Die-cast aluminium (painted) |
| Seals                    | HNBR, NBR                    |
| Piston spool             | Wrought aluminium alloy      |
| Screws                   | Galvanised steel             |
| Note on materials        | RoHS-compliant               |

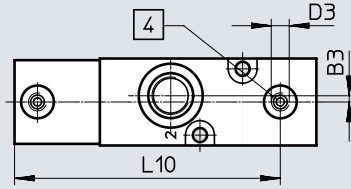
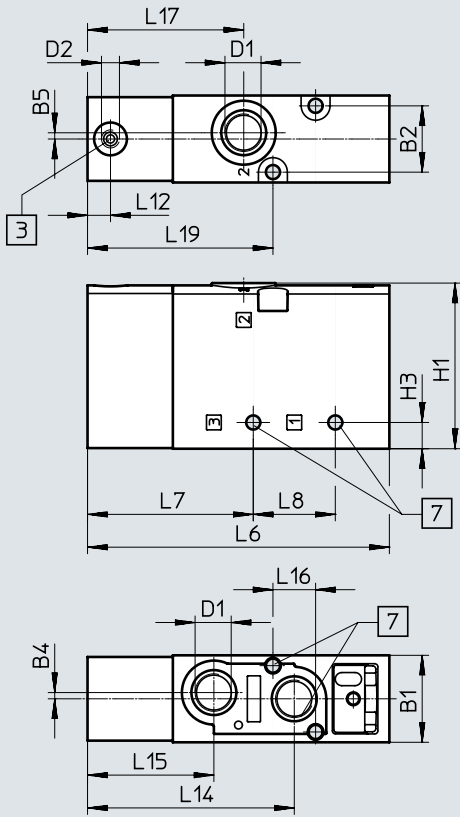
Data sheet

Dimensions

Download CAD data → [www.festo.com](http://www.festo.com)

3/2-way valve, normally closed/open

3/2-way valve, normally closed/open, external pilot air



- [3] Port 10: pilot air (...-M32U-...)  
Port 12: pilot air (...-M32C-...)
- [4] Port 10: for external pneumatic spring (...-M32C-E-...)  
Port 12: for external pneumatic spring (...-M32U-E-...)
- [7] For retaining screw M4

| Type                    | B1   | B2   | B3  | B4  | B5  | D1   | D2 | D3 | H1   | H3 |
|-------------------------|------|------|-----|-----|-----|------|----|----|------|----|
| VUWS-L25-M32C-...-G14   | 26.5 | 20.2 | 1.9 | 1.9 | 1.9 | G1/4 | M5 | -  | 50.5 | 8  |
| VUWS-L25-M32U-...-G14   |      |      |     |     |     |      |    | -  |      |    |
| VUWS-L25-M32C-E-...-G14 |      |      |     |     |     |      |    | M5 |      |    |
| VUWS-L25-M32U-E-...-G14 |      |      |     |     |     |      |    | M5 |      |    |

| Type                    | L6 | L7   | L8 | L10 | L12 | L14 | L15  | L16 | L17  | L19  |
|-------------------------|----|------|----|-----|-----|-----|------|-----|------|------|
| VUWS-L25-M32C-...-G14   | 92 | 50.5 | 25 | -   | 7   | 63  | 38.5 | 13  | 47.6 | 56.5 |
| VUWS-L25-M32U-...-G14   |    |      |    | -   |     |     |      |     |      |      |
| VUWS-L25-M32C-E-...-G14 |    |      |    | 81  |     |     |      |     |      |      |
| VUWS-L25-M32U-E-...-G14 |    |      |    | 81  |     |     |      |     |      |      |

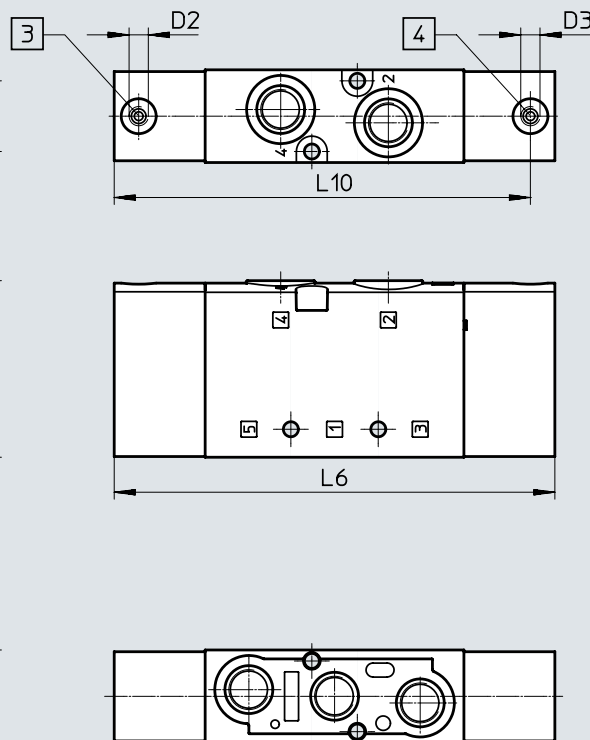
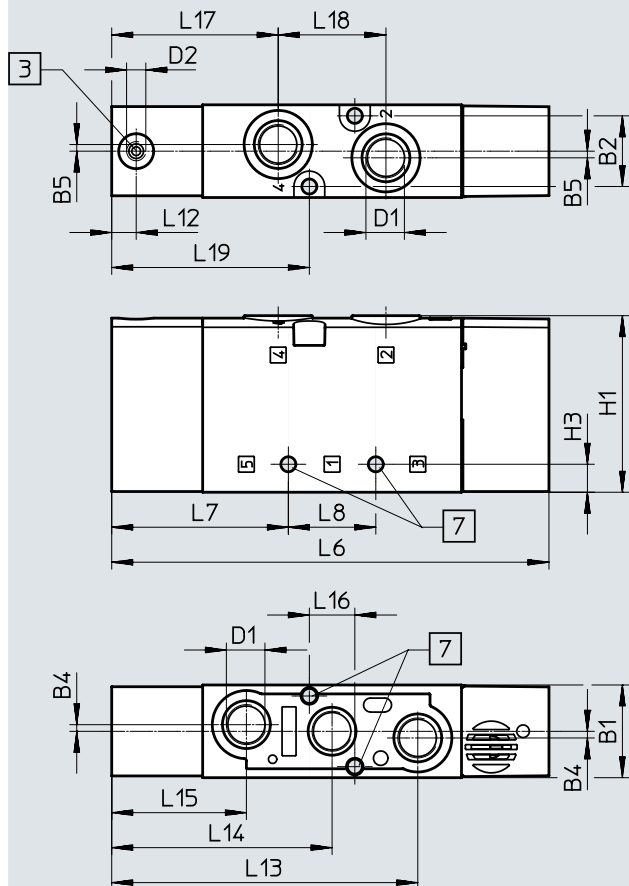
Data sheet

Dimensions

Download CAD data → [www.festo.com](http://www.festo.com)

5/2-way valve, monostable

5/2-way valve, monostable, external pilot air



[3] Port 14: pilot air (-M52-...)

[4] Port 12: pilot air/(pneumatic spring) (...M52-E-...)

[7] For retaining screw M4

| Type                 | B1   | B2   | B4  | B5  | D1   | D2 | D3 | H1   | H3 |
|----------------------|------|------|-----|-----|------|----|----|------|----|
| VUWS-L25-M52-...-G14 | 26.5 | 20.2 | 1.9 | 1.9 | G1/4 | M5 | -  | 50.5 | 8  |
| VUWS-L25-M52-E-G14   |      |      |     |     |      |    | M5 |      |    |

| Type                 | L6  | L7   | L8 | L10 | L12 | L13  | L14 | L15  | L16 | L17  | L18  | L19  |
|----------------------|-----|------|----|-----|-----|------|-----|------|-----|------|------|------|
| VUWS-L25-M52-...-G14 | 125 | 50.5 | 25 | -   | 7   | 87.5 | 63  | 38.5 | 13  | 47.6 | 30.8 | 56.5 |
| VUWS-L25-M52-E-G14   |     |      |    | 119 |     |      |     |      |     |      |      |      |

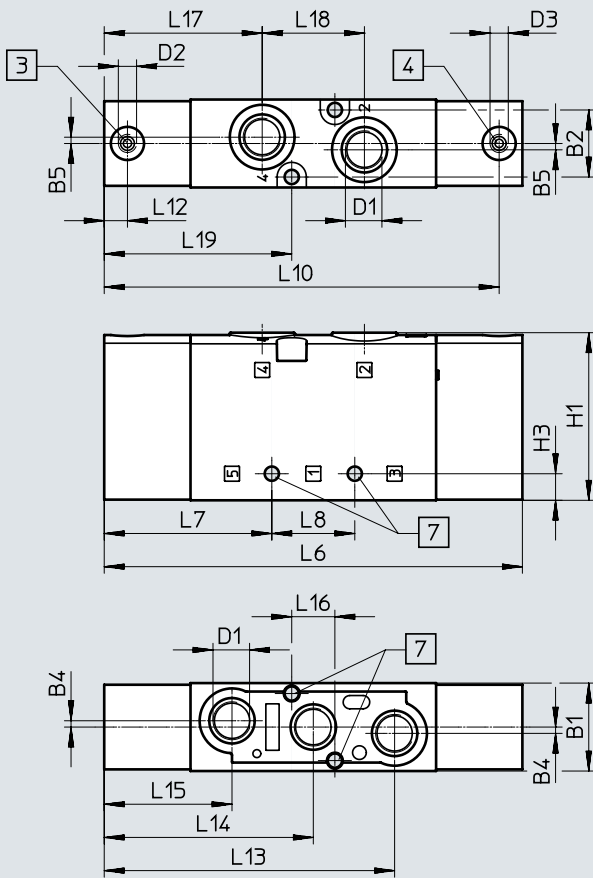


Data sheet

Dimensions

Download CAD data → [www.festo.com](http://www.festo.com)

5/2-way valve, bistable, 5/3-way valve



- [3] Port 14: pilot air
- [4] Port 12: pilot air
- [7] For retaining screw M4

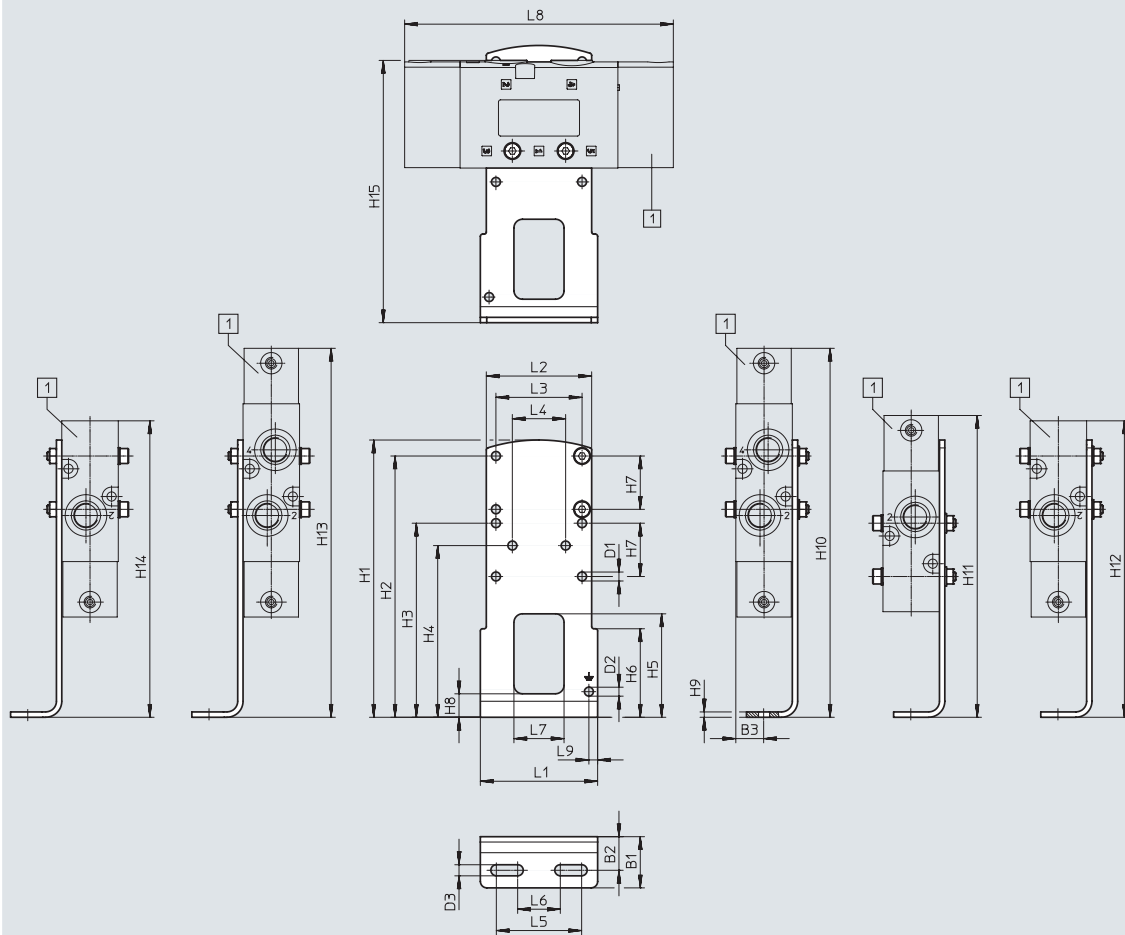
| Type                   | B1   | B2   | B4  | B5  | D1   | D2 | D3 | H1   | H3 |
|------------------------|------|------|-----|-----|------|----|----|------|----|
| VUWS-L25-P53-...-M-G14 | 26.5 | 20.2 | 1.9 | 1.9 | G1/4 | M5 | M5 | 50.5 | 8  |
| VUWS-L25-B52-G14       |      |      |     |     |      |    |    |      |    |

| Type                   | L6  | L7   | L8 | L10 | L12 | L13  | L14 | L15  | L16 | L17  | L18  | L19  |
|------------------------|-----|------|----|-----|-----|------|-----|------|-----|------|------|------|
| VUWS-L25-P53-...-M-G14 | 126 | 50.5 | 25 | 119 | 7   | 87.5 | 63  | 38.5 | 13  | 47.6 | 30.8 | 56.5 |
| VUWS-L25-B52-G14       |     |      |    |     |     |      |     |      |     |      |      |      |

Data sheet

Dimensions

Foot mounting



[1] VUWS-L25-B52,  
VUWS-L25-P53,  
VUWS-L25-M52,  
VUWS-L25-M32

| Type          |                  | B1 | B2   | B3   | D1<br>∅ | D2<br>∅ | D3  | H1  | H2    | H3 | H4   |
|---------------|------------------|----|------|------|---------|---------|-----|-----|-------|----|------|
| VAME-B10-25-A | VUWS-L25-B52/P53 | 24 | 15.8 | 13.3 | 4.2     | 4.2     | 5.2 | 130 | 122.5 | 91 | 80.5 |
|               | VUWS-L25-M52-E   |    |      |      |         |         |     |     |       |    |      |
|               | VUWS-L25-M52     |    |      |      |         |         |     |     |       |    |      |
|               | VUWS-L25-M32     |    |      |      |         |         |     |     |       |    |      |

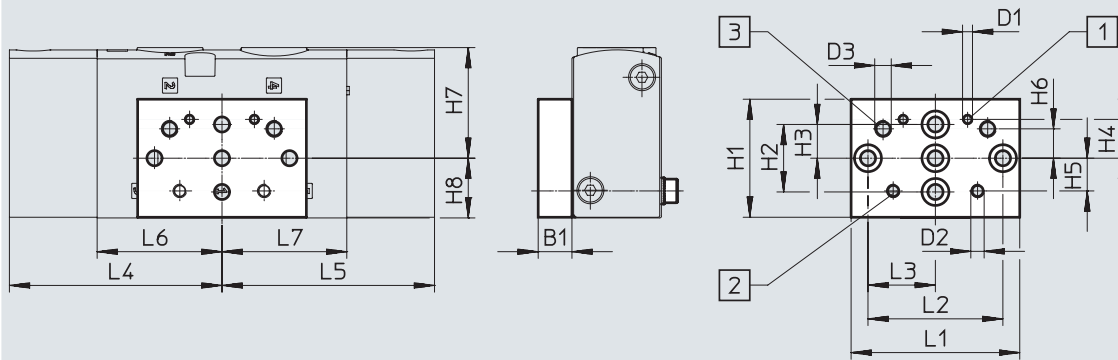
| Type          |                  | H5   | H6   | H7 | H8 | H9  | H10 | H11   | H12 | H13 | H14 |
|---------------|------------------|------|------|----|----|-----|-----|-------|-----|-----|-----|
| VAME-B10-25-A | VUWS-L25-B52/P53 | 48.5 | 41.5 | 25 | 11 | 2.5 | 173 | 141.5 | 173 | 173 | 173 |
|               | VUWS-L25-M52-E   |      |      |    |    |     |     |       |     |     |     |
|               | VUWS-L25-M52     |      |      |    |    |     |     |       |     |     |     |
|               | VUWS-L25-M32     |      |      |    |    |     |     |       | 139 | 139 | 139 |

| Type          |                  | H15 | L1 | L2   | L3   | L4 | L5 | L6 | L7   | L8  | L9  |
|---------------|------------------|-----|----|------|------|----|----|----|------|-----|-----|
| VAME-B10-25-A | VUWS-L25-B52/P53 | 123 | 55 | 49.4 | 40.4 | 25 | 40 | 20 | 23.5 | 126 | 4.1 |
|               | VUWS-L25-M52-E   |     |    |      |      |    |    |    |      |     |     |
|               | VUWS-L25-M52     |     |    |      |      |    |    |    |      |     |     |
|               | VUWS-L25-M32     |     |    |      |      |    |    |    |      | 92  |     |

## Data sheet

### Dimensions

Wall mounting



[1] Mounting hole for size 20

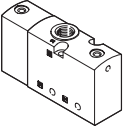
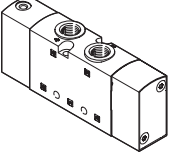
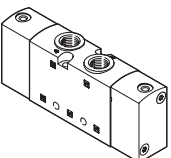
[2] Mounting hole for size 25

[3] Mounting hole for size 30



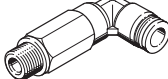
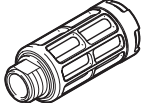
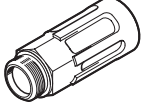

| Type          |                  | B1 | D1 | D2 | D3 | H1 | H2 | H3 | H4   | H5  | H6  |
|---------------|------------------|----|----|----|----|----|----|----|------|-----|-----|
| VAME-B10-20-W | VUWS-L25-B52/P53 | 10 | M3 | M4 | M5 | 35 | 20 | 10 | 11.5 | 9.7 | 8.7 |
|               | VUWS-L25-M52-E   |    |    |    |    |    |    |    |      |     |     |
|               | VUWS-L25-M52     |    |    |    |    |    |    |    |      |     |     |
|               | VUWS-L25-M32     |    |    |    |    |    |    |    |      |     |     |

| Type          |                  | H7   | H8   | L1 | L2 | L3 | L4 | L5 | L6 | L7 |    |   |
|---------------|------------------|------|------|----|----|----|----|----|----|----|----|---|
| VAME-B10-20-W | VUWS-L25-B52/P53 | 32.8 | 17.7 | 50 | 40 | 20 | 63 | 63 | 37 | 37 |    |   |
|               | VUWS-L25-M52-E   |      |      |    |    |    |    |    |    |    |    |   |
|               | VUWS-L25-M52     |      |      |    |    |    |    |    |    |    | 62 | - |
|               | VUWS-L25-M32     |      |      |    |    |    |    |    |    |    | 29 | - |

## Ordering data

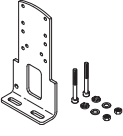
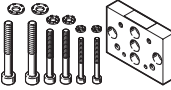
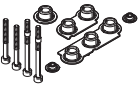
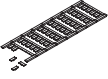
| Ordering data – Pneumatic valves   |  |  |                     |                     |
|--|--|--|---------------------|---------------------|
|  | Code   | Valve function   | Part no.            | Type                |
| <b>3/2-way valve</b>   |  |  |                     |                     |
|    | <b>Normally closed, monostable</b>                     |  |                     |                     |
|  | M32C-A   | Reset via pneumatic spring, internal pneumatic spring, flow direction not reversible | 575483              | VUWS-L25-M32C-A-G14 |
|  | M32C-E   | Reset via pneumatic spring, external pneumatic spring, flow direction reversible     | 575484              | VUWS-L25-M32C-E-G14 |
|  | M32C-M   | Reset via mechanical spring, flow direction reversible                               | 575485              | VUWS-L25-M32C-M-G14 |
|  | <b>Normally open, monostable</b>                       |  |                     |                     |
|  | M32U-A   | Reset via pneumatic spring, internal pneumatic spring, flow direction not reversible | 575498              | VUWS-L25-M32U-A-G14 |
|  | M32U-E   | Reset via pneumatic spring, external pneumatic spring, flow direction reversible     | 575499              | VUWS-L25-M32U-E-G14 |
|  | M32U-M   | Reset via mechanical spring, flow direction reversible                               | 575500              | VUWS-L25-M32U-M-G14 |
|  | <b>5/2-way valve</b>                                   |  |                     |                     |
|   | <b>Monostable</b>                                      |  |                     |                     |
|  | M52-A  | Reset via pneumatic spring, internal pneumatic spring, flow direction not reversible | 575507              | VUWS-L25-M52-A-G14  |
|  | M52-E  | Reset via pneumatic spring, external pneumatic spring, flow direction reversible     | 575508              | VUWS-L25-M52-E-G14  |
|  | M52-M  | Reset via mechanical spring, flow direction reversible                               | 575515              | VUWS-L25-M52-M-G14  |
|  | <b>Bistable</b>  |  |                     |                     |
|  | B52  | Flow direction reversible  | 575522              | VUWS-L25-B52-G14    |
| <b>5/3-way valve</b>   |  |  |                     |                     |
|  | <b>Mid-position closed</b>                             |  |                     |                     |
|  | P53C   | Reset via mechanical spring, flow direction reversible                               | 575529              | VUWS-L25-P53C-M-G14 |
|  | <b>Mid-position exhausted</b>                          |  |                     |                     |
|  | P53E   | Reset via mechanical spring, flow direction reversible                               | 575543              | VUWS-L25-P53E-M-G14 |
|  | <b>Mid-position pressurised</b>                        |  |                     |                     |
| P53U   | Reset via mechanical spring, flow direction reversible | 575536   | VUWS-L25-P53U-M-G14 |                     |

## Accessories


| Ordering data   |   | Description | Part no. | Type           | PU <sup>1)</sup> |
|---|---|-------------|----------|----------------|------------------|
| <b>Push-in fitting with internal hex</b>  |   |             |          |                |                  |
|    | Connecting thread M5 for tubing O.D.            | 4 mm        | 153315   | QSM-M5-4-I     | 10               |
|   | Connecting thread G1/4 for tubing O.D.          | 6 mm        | 186108   | QS-G1/4-6-I    | 10               |
|   |   | 8 mm        | 186110   | QS-G1/4-8-I    | 10               |
|   |   | 10 mm       | 186112   | QS-G1/4-10-I   | 10               |
| <b>Angled push-in fitting with external hex</b>                                     |   |             |          |                |                  |
|    | Connecting thread G1/4 for tubing O.D.          | 6 mm        | 186118   | QSL-G1/4-6     | 10               |
|   |   |             | 132051   | QSL-G1/4-6-100 | 100              |
|   |   | 8 mm        | 186120   | QSL-G1/4-8     | 10               |
|   |   |             | 132052   | QSL-G1/4-8-50  | 50               |
|   |   |             | 10 mm    | 186122         | QSL-G1/4-10      |
| 132053  | QSL-G1/4-10-50                                  | 50          |          |                |                  |
| <b>Angled push-in fitting, long, with external hex</b>                              |   |             |          |                |                  |
|    | Connecting thread G1/4 for tubing O.D.          | 6 mm        | 186129   | QSL-G1/4-6     | 10               |
|   |   | 8 mm        | 186131   | QSL-G1/4-8     | 10               |
|   |   | 10 mm       | 186133   | QSL-G1/4-10    | 10               |
| <b>Silencer</b>   |   |             |          |                |                  |
|    | With connecting thread G, polymer design        | G1/4        | 2316     | U-1/4          | 1                |
|   |   |             | 534223   | U-1/4-20       | 20               |
|   | With connecting thread G, metal design          | G1/4        | 6842     | U-1/4-B        | 1                |
|  | With connecting thread G, sintered design, long | G1/4        | 1205861  | AMTE-M-LH-G14  | 20               |

1) Packaging unit

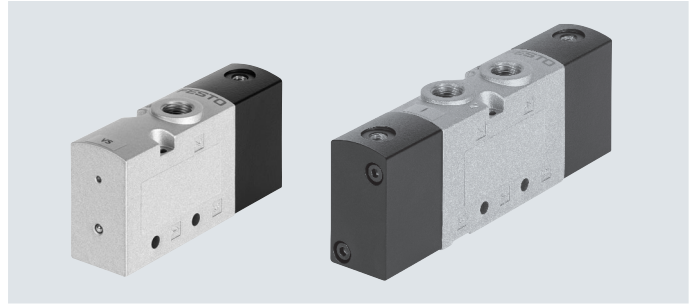
## Accessories

| Ordering data  | Description  | Weight [g] | Part no. | Type           |
|--|--|------------|----------|----------------|
| <b>Foot mounting</b>   |  |            |          |                |
|  | Set for mounting valves, comprising: <ul style="list-style-type: none"> <li>• Mounting bracket and</li> <li>• Screw set for mounting</li> </ul>                  | 130        | 2293485  | VAME-B10-25-A  |
| <b>Wall mounting</b>   |  |            |          |                |
|  | Set for mounting valves for size 20, 25, 30, comprising: <ul style="list-style-type: none"> <li>• Wall mounting and</li> <li>• Screw set for mounting</li> </ul> | 53         | 576413   | VAME-B10-20-W  |
| <b>Assortment of spare parts</b>   |  |            |          |                |
|  | Set comprising: <ul style="list-style-type: none"> <li>• Seals and</li> <li>• Screws</li> </ul>  | 12         | 8035636  | VAME-B10-25-MK |
| <b>Inscription label</b>   |  |            |          |                |
|  | 40 pieces in frame   | –          | 565306   | ASLR-C-E4      |

## Data sheet

-  - Flow rate  
up to 2300 l/min

-  - Valve width  
31 mm



## General technical data

| Valve function                         | 3/2   |      |                       | 5/2  |      | 5/3  |      |      |
|--|---|------|-----------------------|------|------|------|------|------|
| Order code for valves                  | M32C  | M32U | M52                   | B52  | P53C | P53U | P53E |      |
| Valve width [mm]                       | 31  |      |                       |      |      |      |      |      |
| Design                                 | Piston spool  |      |                       |      |      |      |      |      |
| Pneumatic spring supply                | Internal or external (external: identified by E in type code)               |      |                       |      |      |      |      |      |
| Type of control                        | Direct  |      |                       |      |      |      |      |      |
| Manual override (MO)                   | None  |      |                       |      |      |      |      |      |
| Flow direction                         | Reversible with restrictions (not reversible: identified by A in type code) |      |                       |      |      |      |      |      |
| Overlap                                | Positive overlap  |      |                       |      |      |      |      |      |
| Sealing principle                      | Soft  |      |                       |      |      |      |      |      |
| Type of mounting                       | Optionally via through-holes <sup>1)</sup> or on manifold rail              |      |                       |      |      |      |      |      |
| Standard nominal flow rate qnN [l/min] | 2300  | 2300 | 2300                  | 2300 | 2000 | 1600 | 1600 |      |
| Through-holes (nominal width) [mm]     | 9.4   | 9.4  | 9.4                   | 9.4  | 8.9  | 8.1  | 8.1  |      |
| Product weight [g]                     | 394   | 394  | 487/546 <sup>2)</sup> | 545  | 542  | 542  | 542  |      |
| Type of actuation                      | Pneumatic   |      |                       |      |      |      |      |      |
| Mounting position                      | Any   |      |                       |      |      |      |      |      |
| Exhaust function                       | Can be throttled  |      |                       |      |      |      |      |      |
| Venting hole                           | Not ducted  |      |                       |      |      |      |      |      |
| Pneumatic connection                   | 1, 2, 3   | G3/8 | G3/8                  | G3/8 | G3/8 | G3/8 | G3/8 | G3/8 |
|  | 4, 5  | -    | -                     | G3/8 | G3/8 | G3/8 | G3/8 | G3/8 |
| Pneumatic spring connection 12/14, 10  | G1/8  |      |                       |      |      |      |      |      |

1) If several valves are to be screwed together via through-holes to form a block, a minimum distance of 0.3 mm must be ensured by placing spacer discs between them.

2) With external pneumatic spring: 546 g, with internal pneumatic spring or mechanical spring: 487 g

## Technical data – 3/2-way valves

| Order code for valves   | M32C-A           |    | M32C-E |    | M32C-M            |    | M32U-A     |    | M32U-E           |    | M32U-M |    |                   |  |  |  |
|-------------------------|------------------|----|--------|----|-------------------|----|------------|----|------------------|----|--------|----|-------------------|--|--|--|
| Normal position         | Closed           |    |        |    |                   |    | Open       |    |                  |    |        |    |                   |  |  |  |
| Stable position         | Monostable       |    |        |    |                   |    | Monostable |    |                  |    |        |    |                   |  |  |  |
| Reset method            | Pneumatic spring |    |        |    | Mechanical spring |    |            |    | Pneumatic spring |    |        |    | Mechanical spring |  |  |  |
| Switching times in [ms] | On               | 19 | 21     | 16 | 19                | 21 | 16         | 19 | 21               | 16 | 19     | 21 |                   |  |  |  |
|                         | Off              | 36 | 40     | 73 | 37                | 40 | 73         | 37 | 40               | 73 | 37     | 40 |                   |  |  |  |

## Data sheet

| Technical data – 5/2-way valves |             |                  |                   |
|---------------------------------|-------------|------------------|-------------------|
| Order code for valves           |             | M52              | B52               |
| Stable position                 |             | Monostable       |                   |
| Reset method                    |             | Pneumatic spring | Mechanical spring |
| Switching times in [ms]         | On          | 24               | 17                |
|                                 | Off         | 59               | 77                |
|                                 | Change-over | –                | –                 |
|                                 |             |                  | 13                |

| Technical data – 5/3-way valves |             |                   |      |      |
|---------------------------------|-------------|-------------------|------|------|
| Order code for valves           |             | P53C              | P53U | P53E |
| Stable position                 |             | Monostable        |      |      |
| Reset method                    |             | Mechanical spring |      |      |
| Switching times in [ms]         | On          | 19                | 19   | 19   |
|                                 | Off         | 98                | 98   | 98   |
|                                 | Change-over | 41                | 41   | 41   |

| Safety characteristics |  |
|------------------------|--|
| Shock resistance       | Shock test with severity level 2 to FN 942017-5 and EN 60068-2-27                |
| Vibration resistance   | Transport application test with severity level 2 to FN 942017-4 and EN 60068-2-6 |

| Operating and environmental conditions       |       |  |              |            |                |              |              |
|--|-------|--|--------------|------------|----------------|--------------|--------------|
| Valve function                               |       | M32 ... A<br>M32 ... M   | M32 ... E    | M52-A      | M52-E<br>M52-M | B52          | P53          |
| Operating medium                             |       | Compressed air to ISO 8573-1:2010 [7:4:4]  |              |            |                |              |              |
| Pilot medium                                 |       | Compressed air to ISO 8573-1:2010 [7:4:4]  |              |            |                |              |              |
| Note on the operating/pilot medium           |       | Lubricated operation possible (in which case lubricated operation will always be required) |              |            |                |              |              |
| Operating pressure                           | [MPa] | –0.09 ... +1   | –0.09 ... +1 | 0.25 ... 1 | –0.09 ... +1   | –0.09 ... +1 | –0.09 ... +1 |
|  | [bar] | –0.9 ... +10   | –0.9 ... +10 | 2.5 ... 10 | –0.9 ... +10   | –0.9 ... +10 | –0.9 ... +10 |
| Pilot pressure                               | [MPa] | 0.25 ... 1   | 0.25 ... 1   | 0.25 ... 1 | 0.25 ... 1     | 0.15 ... 1   | 0.25 ... 1   |
|  | [bar] | 2.5 ... 10   | 2.5 ... 10   | 2.5 ... 10 | 2.5 ... 10     | 1.5 ... 10   | 2.5 ... 10   |
| Ambient temperature                          | [°C]  | –10 ... +60  |              |            |                |              |              |
| Temperature of medium                        | [°C]  | –10 ... +60  |              |            |                |              |              |
| Certification                                |       | c UL us - Recognized (OL)  |              |            |                |              |              |
| Corrosion resistance class CRC <sup>1)</sup> |       | 2  |              |            |                |              |              |

1) More information: [www.festo.com/x/topic/kbk](http://www.festo.com/x/topic/kbk)

| Information on materials |                              |
|--------------------------|------------------------------|
| Housing                  | Die-cast aluminium (painted) |
| Seals                    | HNBR, NBR                    |
| Piston spool             | Wrought aluminium alloy      |
| Screws                   | Nickel-plated steel          |
| Note on materials        | RoHS-compliant               |



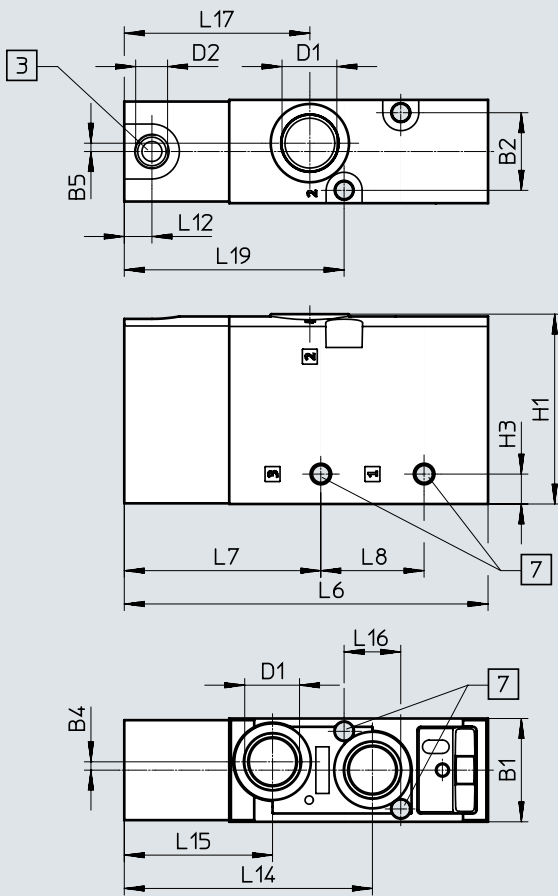
Data sheet

Dimensions

Download CAD data → [www.festo.com](http://www.festo.com)

3/2-way valve, normally closed/open

3/2-way valve, normally closed/open, external pilot air



- [3] Port 10: pilot air (...-M32U-...)  
Port 12: pilot air (...-M32C-...)
- [4] Port 10: for external pneumatic spring (...-M32C-E-...)  
Port 12: for external pneumatic spring (...-M32U-E-...)
- [7] For retaining screw M5

| Type                    | B1 | B2   | B3  | B4  | B5  | D1   | D2   | D3   | H1 | H3 |
|-------------------------|----|------|-----|-----|-----|------|------|------|----|----|
| VUWS-L30-M32C-...-G38   | 31 | 23.3 | 2.5 | 2.5 | 2.5 | G3/8 | G1/8 | -    | 57 | 9  |
| VUWS-L30-M32U-...-G38   |    |      |     |     |     |      |      | -    |    |    |
| VUWS-L30-M32C-E-...-G38 |    |      |     |     |     |      |      | G1/8 |    |    |
| VUWS-L30-M32U-E-...-G38 |    |      |     |     |     |      |      | G1/8 |    |    |

| Type                    | L6    | L7 | L8 | L10  | L12 | L14  | L15  | L16 | L17  | L19 |
|-------------------------|-------|----|----|------|-----|------|------|-----|------|-----|
| VUWS-L30-M32C-...-G38   | 109.2 | 59 | 31 | -    | 8.3 | 74.5 | 44.5 | 17  | 55.7 | 66  |
| VUWS-L30-M32U-...-G38   |       |    |    | -    |     |      |      |     |      |     |
| VUWS-L30-M32C-E-...-G38 |       |    |    | 94.5 |     |      |      |     |      |     |
| VUWS-L30-M32U-E-...-G38 |       |    |    | 94.5 |     |      |      |     |      |     |

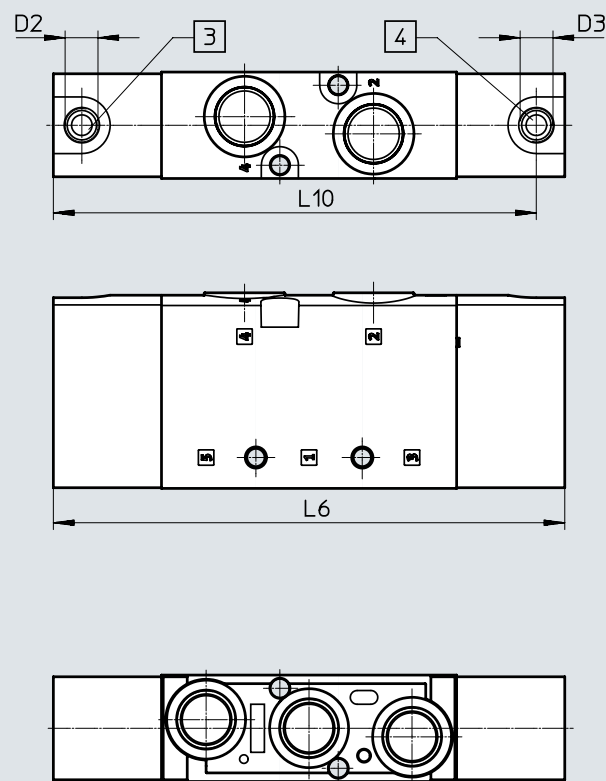
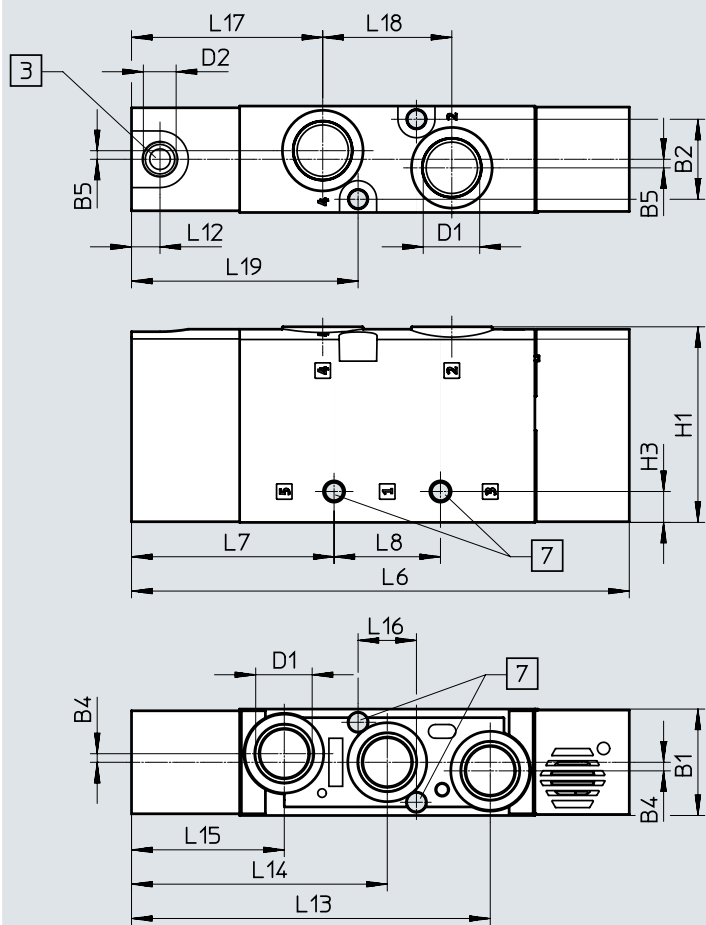
Data sheet

Dimensions

Download CAD data → [www.festo.com](http://www.festo.com)

5/2-way valve, monostable

5/2-way valve, monostable, external pilot air



[3] Port 14: pilot air (-M52-...)

[4] Port 12: pilot air/(pneumatic spring) (...M52-E-...)

[7] For retaining screw M5

| Type                 | B1 | B2   | B4  | B5  | D1   | D2   | D3   | H1 | H3 |
|----------------------|----|------|-----|-----|------|------|------|----|----|
| VUWS-L30-M52-...-G38 | 31 | 23.3 | 2.5 | 2.5 | G3/8 | G1/8 | -    | 57 | 9  |
| VUWS-L30-M52-E-G38   |    |      |     |     |      |      | G1/8 |    |    |

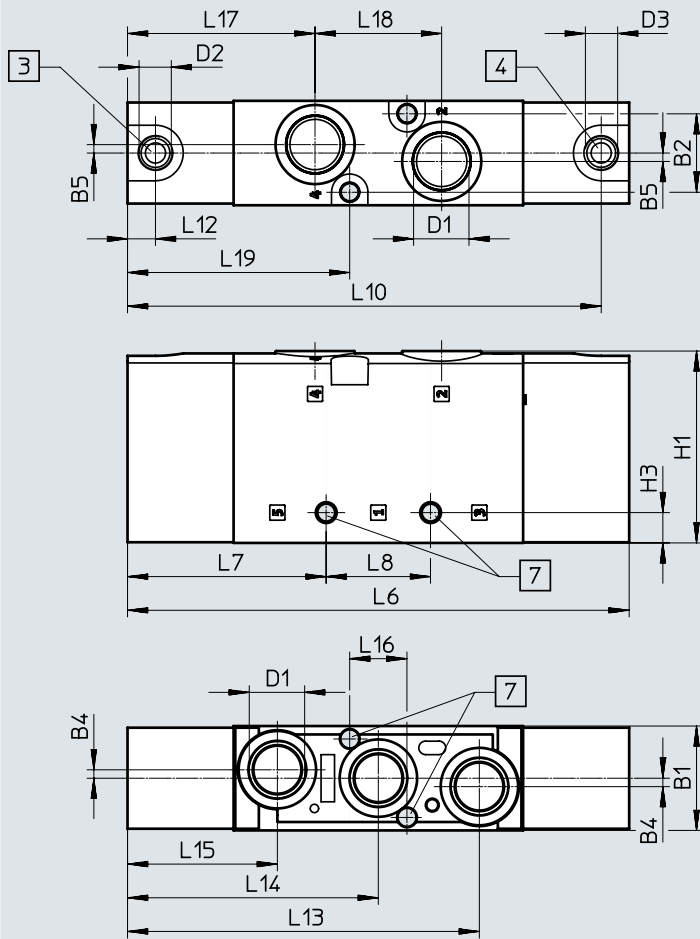
| Type                 | L6  | L7 | L8 | L10   | L12 | L13   | L14  | L15  | L16 | L17  | L18  | L19 |
|----------------------|-----|----|----|-------|-----|-------|------|------|-----|------|------|-----|
| VUWS-L30-M52-...-G38 | 145 | 59 | 31 | -     | 8.3 | 104.5 | 74.5 | 44.5 | 17  | 55.7 | 37.6 | 66  |
| VUWS-L30-M52-E-G38   | 149 |    |    | 140.7 |     |       |      |      |     |      |      |     |

Data sheet

Dimensions

Download CAD data → [www.festo.com](http://www.festo.com)

5/2-way valve, bistable, 5/3-way valve



- [3] Port 14: pilot air
- [4] Port 12: pilot air
- [7] For retaining screw M5

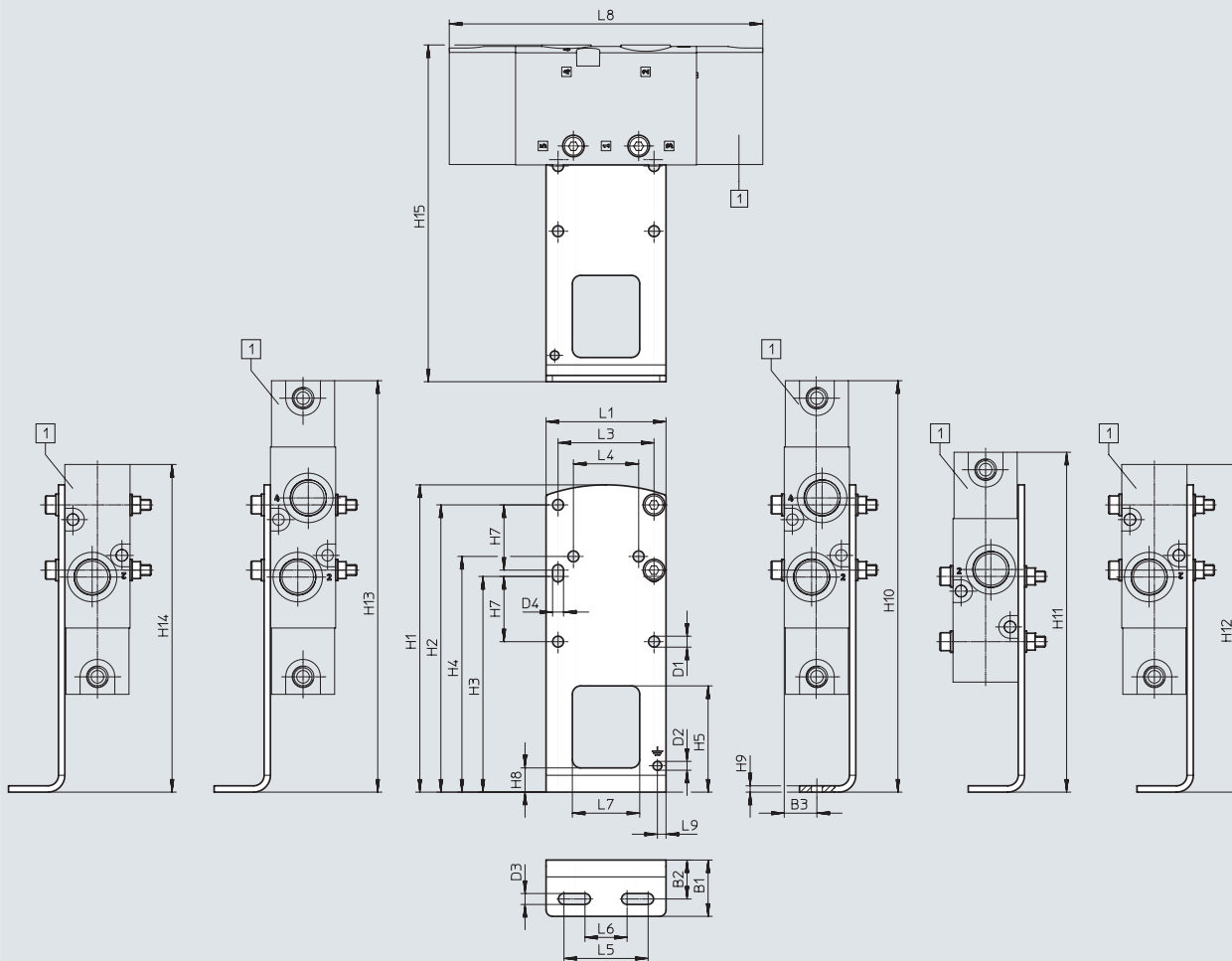
| Type                   | B1 | B2   | B4  | B5  | D1   | D2   | D3   | H1 | H3 |
|------------------------|----|------|-----|-----|------|------|------|----|----|
| VUWS-L30-P53-...-M-G38 | 31 | 23.3 | 2.5 | 2.5 | G3/8 | G1/8 | G1/8 | 57 | 9  |
| VUWS-L30-B52-G38       |    |      |     |     |      |      |      |    |    |

| Type                   | L6  | L7 | L8 | L10   | L12 | L13   | L14  | L15  | L16 | L17  | L18  | L19 |
|------------------------|-----|----|----|-------|-----|-------|------|------|-----|------|------|-----|
| VUWS-L30-P53-...-M-G38 | 149 | 59 | 31 | 140.7 | 8.3 | 104.5 | 74.5 | 44.5 | 17  | 55.7 | 37.6 | 66  |
| VUWS-L30-B52-G38       |     |    |    |       |     |       |      |      |     |      |      |     |

Data sheet

Dimensions

Foot mounting



[1] VUWS-L30-B52,  
VUWS-L30-P53,  
VUWS-L30-M52,  
VUWS-L30-M32

| Type          |                  | B1   | B2   | B3   | D1<br>∅ | D2<br>∅ | D3  | D4  | H1  | H2    | H3    |
|---------------|------------------|------|------|------|---------|---------|-----|-----|-----|-------|-------|
| VAME-B10-30-A | VUWS-L30-B52/P53 | 26.8 | 18.5 | 15.5 | 5.2     | 4.2     | 5.2 | 5.2 | 146 | 136.5 | 102.5 |
|               | VUWS-L30-M52-E   |      |      |      |         |         |     |     |     |       |       |
|               | VUWS-L30-M52     |      |      |      |         |         |     |     |     |       |       |
|               | VUWS-L30-M32     |      |      |      |         |         |     |     |     |       |       |

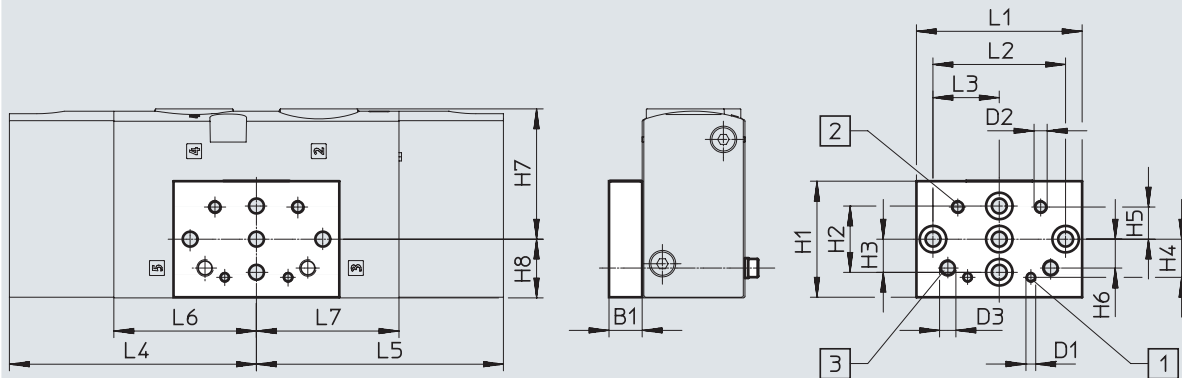
| Type          |                  | H4  | H5   | H7 | H8   | H9 | H10   | H11   | H12   | H13   | H14   |
|---------------|------------------|-----|------|----|------|----|-------|-------|-------|-------|-------|
| VAME-B10-30-A | VUWS-L30-B52/P53 | 112 | 50.5 | 31 | 11.5 | 3  | 195.5 | 161.5 | 195.5 | 195.5 | 195.5 |
|               | VUWS-L30-M52-E   |     |      |    |      |    |       |       |       |       |       |
|               | VUWS-L30-M52     |     |      |    |      |    |       | 197.2 | 191.5 | 191.5 | 191.5 |
|               | VUWS-L30-M32     |     |      |    |      |    |       | 155.7 | 155.7 | 155.7 | 155.7 |

| Type          |                  | H15 | L1 | L3   | L4 | L5 | L6 | L7 | L8  | L9  |       |
|---------------|------------------|-----|----|------|----|----|----|----|-----|-----|-------|
| VAME-B10-30-A | VUWS-L30-B52/P53 | 160 | 57 | 45.6 | 31 | 40 | 20 | 32 | 149 | 4.1 |       |
|               | VUWS-L30-M52-E   |     |    |      |    |    |    |    |     |     |       |
|               | VUWS-L30-M52     |     |    |      |    |    |    |    |     |     | 145   |
|               | VUWS-L30-M32     |     |    |      |    |    |    |    |     |     | 109.2 |

## Data sheet

### Dimensions

Wall mounting



[1] Mounting hole for size 20

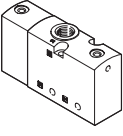
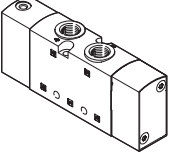
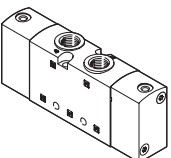
[2] Mounting hole for size 25

[3] Mounting hole for size 30



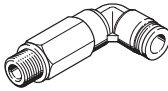
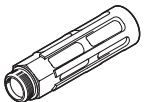

| Type          |                  | B1 | D1 | D2 | D3 | H1 | H2 | H3 | H4   | H5  | H6  |
|---------------|------------------|----|----|----|----|----|----|----|------|-----|-----|
| VAME-B10-20-W | VUWS-L30-B52/P53 | 10 | M3 | M4 | M5 | 35 | 20 | 10 | 11.5 | 9.7 | 8.7 |
|               | VUWS-L30-M52     |    |    |    |    |    |    |    |      |     |     |
|               | VUWS-L30-M32     |    |    |    |    |    |    |    |      |     |     |

| Type          |                  | H7   | H8   | L1 | L2 | L3 | L4   | L5   | L6 | L7 |
|---------------|------------------|------|------|----|----|----|------|------|----|----|
| VAME-B10-20-W | VUWS-L30-B52/P53 | 39.3 | 17.7 | 50 | 40 | 20 | 74.5 | 74.5 | 43 | 43 |
|               | VUWS-L30-M52     |      |      |    |    |    |      |      |    |    |
|               | VUWS-L30-M32     |      |      |    |    |    |      |      |    |    |

## Ordering data

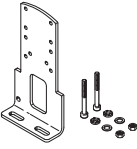
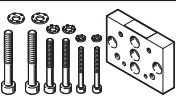

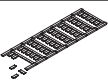
| Ordering data – Pneumatic valves   |  |  |                     |                     |
|--|--|--|---------------------|---------------------|
|  | Code   | Valve function   | Part no.            | Type                |
| <b>3/2-way valve</b>   |  |  |                     |                     |
|    | <b>Normally closed, monostable</b>                     |  |                     |                     |
|  | M32C-A   | Reset via pneumatic spring, internal pneumatic spring, flow direction not reversible | 575576              | VUWS-L30-M32C-A-G38 |
|  | M32C-E   | Reset via pneumatic spring, external pneumatic spring, flow direction reversible     | 575577              | VUWS-L30-M32C-E-G38 |
|  | M32C-M   | Reset via mechanical spring, flow direction reversible                               | 575578              | VUWS-L30-M32C-M-G38 |
|  | <b>Normally open, monostable</b>                       |  |                     |                     |
|  | M32U-A   | Reset via pneumatic spring, internal pneumatic spring, flow direction not reversible | 575591              | VUWS-L30-M32U-A-G38 |
|  | M32U-E   | Reset via pneumatic spring, external pneumatic spring, flow direction reversible     | 575592              | VUWS-L30-M32U-E-G38 |
|  | M32U-M   | Reset via mechanical spring, flow direction reversible                               | 575593              | VUWS-L30-M32U-M-G38 |
|  | <b>5/2-way valve</b>                                   |  |                     |                     |
|   | <b>Monostable</b>                                      |  |                     |                     |
|  | M52-A  | Reset via pneumatic spring, internal pneumatic spring, flow direction not reversible | 575600              | VUWS-L30-M52-A-G38  |
|  | M52-E  | Reset via pneumatic spring, external pneumatic spring, flow direction reversible     | 575601              | VUWS-L30-M52-E-G38  |
|  | M52-M  | Reset via mechanical spring, flow direction reversible                               | 575608              | VUWS-L30-M52-M-G38  |
|  | <b>Bistable</b>  |  |                     |                     |
|  | B52  | Flow direction reversible  | 575615              | VUWS-L30-B52-G38    |
| <b>5/3-way valve</b>   |  |  |                     |                     |
|  | <b>Mid-position closed</b>                             |  |                     |                     |
|  | P53C   | Reset via mechanical spring, flow direction reversible                               | 575622              | VUWS-L30-P53C-M-G38 |
|  | <b>Mid-position exhausted</b>                          |  |                     |                     |
|  | P53E   | Reset via mechanical spring, flow direction reversible                               | 575636              | VUWS-L30-P53E-M-G38 |
|  | <b>Mid-position pressurised</b>                        |  |                     |                     |
| P53U   | Reset via mechanical spring, flow direction reversible | 575629   | VUWS-L30-P53U-M-G38 |                     |

## Accessories

| Ordering data   |   | Description | Part no.       | Type            | PU <sup>1)</sup> |
|---|---|-------------|----------------|-----------------|------------------|
| <b>Push-in fitting with internal hex</b>  |   |             |                |                 |                  |
|    | Connecting thread G1/8 for tubing O.D.          | 4 mm        | 186106         | QS-G1/8-4-I     | 10               |
|   |   |             | 133008         | QS-G1/8-4-I-100 | 100              |
|   |   | 6 mm        | 186107         | QS-G1/8-6-I     | 10               |
|   |   |             | 133009         | QS-G1/8-6-I-100 | 100              |
|   | Connecting thread G3/8 for tubing O.D.          | 8 mm        | 186111         | QS-G3/8-8-I     | 10               |
|   |   | 10 mm       | 186113         | QS-G3/8-10-I    | 10               |
| 12 mm   |   | 186114      | QS-G3/8-12-I   | 10              |                  |
| <b>Angled push-in fitting with external hex</b>                                     |   |             |                |                 |                  |
|    | Connecting thread G3/8 for tubing O.D.          | 8 mm        | 186121         | QSL-G3/8-8      | 10               |
|   |   |             | 132055         | QSL-G3/8-8-50   | 50               |
|   |   | 10 mm       | 186123         | QSL-G3/8-10     | 10               |
|   |   |             | 132056         | QSL-G3/8-10-20  | 20               |
|   |   | 12 mm       | 186124         | QSL-G3/8-12     | 10               |
|   |   | 132057      | QSL-G3/8-12-20 | 20              |                  |
| <b>Angled push-in fitting, long, with external hex</b>                              |   |             |                |                 |                  |
|    | Connecting thread G3/8 for tubing O.D.          | 8 mm        | 186132         | QSL-G3/8-8      | 10               |
|   |   | 10 mm       | 186134         | QSL-G3/8-10     | 10               |
|   |   | 12 mm       | 186135         | QSL-G3/8-12     | 10               |
| <b>Silencer</b>   |   |             |                |                 |                  |
|   | With connecting thread G, metal design          | G3/8        | 6843           | U-3/8-B         | 1                |
|   |   |             |                |                 |                  |
|  | With connecting thread G, sintered design, long | G3/8        | 1205862        | AMTE-M-LH-G38   | 10               |



1) Packaging unit

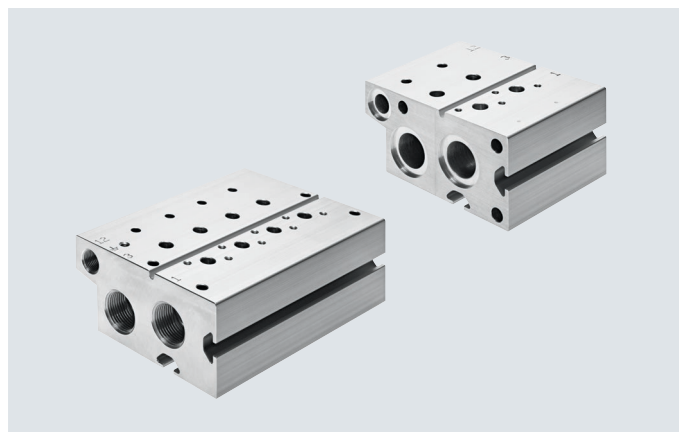
## Accessories

| Ordering data  | Description  | Weight [g] | Part no. | Type           |
|--|--|------------|----------|----------------|
| <b>Foot mounting</b>   |  |            |          |                |
|  | Set for mounting valves, comprising: <ul style="list-style-type: none"> <li>• Mounting bracket and</li> <li>• Screw set for mounting</li> </ul>                  | -          | 8026337  | VAME-B10-30-A  |
| <b>Wall mounting</b>   |  |            |          |                |
|  | Set for mounting valves for size 20, 25, 30, comprising: <ul style="list-style-type: none"> <li>• Wall mounting and</li> <li>• Screw set for mounting</li> </ul> | 53         | 576413   | VAME-B10-20-W  |
| <b>Assortment of spare parts</b>   |  |            |          |                |
|  | Set comprising: <ul style="list-style-type: none"> <li>• Seals and</li> <li>• Screws</li> </ul>  | -          | 8035637  | VAME-B10-30-MK |
| <b>Inscription label</b>   |  |            |          |                |
|  | 40 pieces in frame   | -          | 565306   | ASLR-C-E4      |



## Data sheet – Manifold block, size 20

-  Flow rate  
up to 700 l/min
-  Valve width  
21 mm



| General technical data         | Manifold block standard |          | Extension module for standard manifold block |          | Manifold block compact |          | Common supply manifold |             |
|--------------------------------|-------------------------|----------|--|----------|------------------------|----------|------------------------|-------------|
|                                |                         |          |  |          |                        |          | On both sides          | On one side |
| Valve function                 | 3/2                     | 5/2, 5/3 | 3/2  | 5/2, 5/3 | 3/2                    | 5/2, 5/3 | 3/2, 5/2, 5/3          |             |
| Grid dimension [mm]            | 22                      |          |  |          |                        |          |                        |             |
| Type of mounting               | Via through-hole        |          |  |          |                        |          | Via mounting bracket   |             |
| Max. number of valve positions | 10                      | 10       | 2  | 2        | 10                     |          | 10                     | 4           |
| Port 1                         | G3/8                    | G3/8     | G3/8   | G3/8     | G1/4                   | G1/4     | G3/8                   | G3/8        |
| Port 3                         | G3/8                    | G3/8     | G3/8   | G3/8     | G1/4                   | G1/4     | -                      | -           |
| Port 5                         | -                       | G3/8     | -  | G3/8     | -                      | G1/4     | -                      | -           |
| Port 12                        | G1/8                    | G1/8     | G1/8   | G1/8     | -                      | -        | -                      | -           |
| Port 14                        | -                       | G1/8     | -  | G1/8     | -                      | -        | -                      | -           |
| CRC <sup>1)</sup>              | 2 <sup>1)</sup>         |          |  |          |                        |          |                        |             |

1) More information: [www.festo.com/x/topic/kbk](http://www.festo.com/x/topic/kbk)

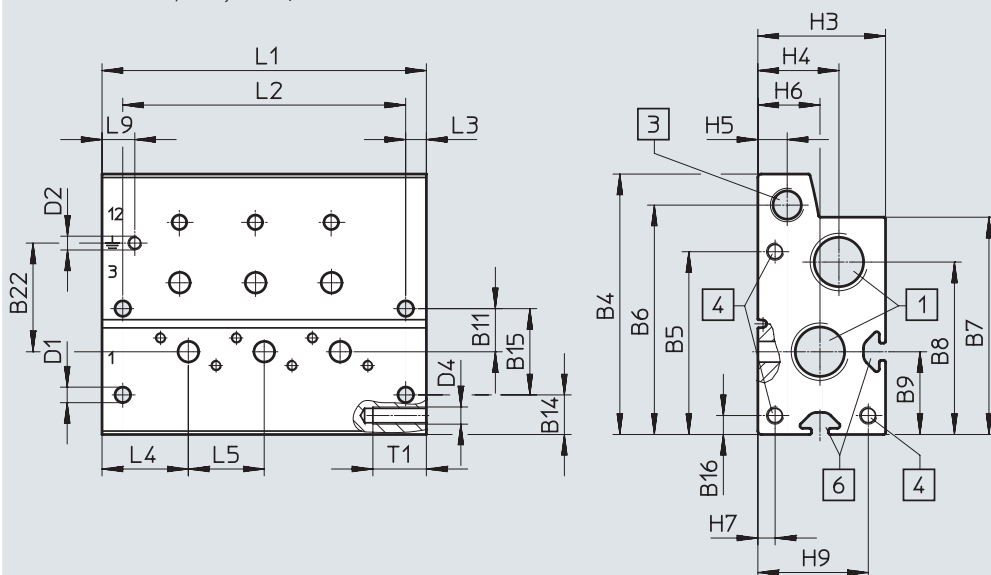
| Weight [g]  |     |     |      |      |      |      |      |      |      |
|---|-----|-----|------|------|------|------|------|------|------|
| Valve positions   | 2   | 3   | 4    | 5    | 6    | 7    | 8    | 9    | 10   |
| <b>Manifold block for 3/2-way valves, standard</b>                            |     |     |      |      |      |      |      |      |      |
| VABM-B10-20E-G38-...-P3   | 449 | 574 | 699  | 825  | 950  | 1075 | 1200 | 1326 | 1451 |
| <b>Manifold block, extension module for 3/2-way valves, standard</b>          |     |     |      |      |      |      |      |      |      |
| VABM-B10-20EEE-G38-2-P3   | 324 | -   | -    | -    | -    | -    | -    | -    | -    |
| <b>Manifold block for 5/2- and 5/3-way valves, standard</b>                   |     |     |      |      |      |      |      |      |      |
| VABM-B10-20E-G38-...  | 680 | 866 | 1053 | 1239 | 1425 | 1612 | 1798 | 1985 | 2171 |
| <b>Manifold block, extension module for 5/2- and 5/3-way valves, standard</b> |     |     |      |      |      |      |      |      |      |
| VABM-B10-20EEE-G38-2  | 492 | -   | -    | -    | -    | -    | -    | -    | -    |
| <b>Manifold block for 3/2-way valves, compact</b>                             |     |     |      |      |      |      |      |      |      |
| VABM-B10-20S-G14-...-P3   | 280 | 360 | 441  | 521  | 601  | 681  | 762  | 842  | 922  |
| <b>Manifold block for 5/2- and 5/3-way valves, compact</b>                    |     |     |      |      |      |      |      |      |      |
| VABM-B10-20S-G14-...  | 344 | 439 | 535  | 630  | 726  | 821  | 917  | 1012 | 1108 |
| <b>Common supply manifold for mounting on both sides</b>                      |     |     |      |      |      |      |      |      |      |
| VABM-B10-20-G38-...-P53   | 226 | 268 | 310  | 352  | 395  | 437  | 479  | 521  | 563  |
| <b>Common supply manifold for mounting on one side</b>                        |     |     |      |      |      |      |      |      |      |
| VABM-B10-20-G38-...-P53-E   | 240 | 282 | 324  | -    | -    | -    | -    | -    | -    |

| Information on materials |                         |
|--------------------------|-------------------------|
| Information on materials | Wrought aluminium alloy |
| Note on materials        | RoHS-compliant          |

## Data sheet – Manifold block, size 20

### Dimensions

Manifold block for 3/2-way valves, standard



[1] Ports 1 and 3 (at both ends):  
G3/8

[3] Port 12 (at both ends): G1/8

[4] Thread M5x15.5 for extension  
module

[6] Profile slot IPM-05, system 5

| Type                    | B4   | B5 | B6   | B7 | B8 | B9 | B11  | B14  | B15 | B16 | B22  |
|-------------------------|------|----|------|----|----|----|------|------|-----|-----|------|
| VABM-B10-20E-G38-...-P3 | 75.5 | 53 | 66.5 | 63 | 50 | 24 | 12.5 | 11.5 | 25  | 5.5 | 31.5 |

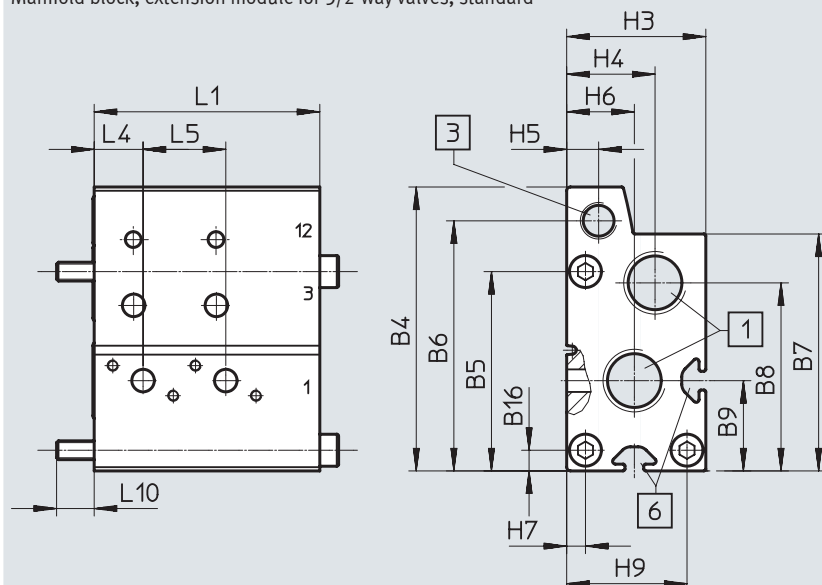
| Type                    | D1 ø | D2     | D4 | H3 | H4   | H5  | H6 | H7 | H9 | L3 | L4 | L5 | L9  | T1   |
|-------------------------|------|--------|----|----|------|-----|----|----|----|----|----|----|-----|------|
| VABM-B10-20E-G38-...-P3 | 4.5  | M4x6.5 | M5 | 37 | 23.5 | 8.5 | 18 | 5  | 32 | 6  | 25 | 22 | 9.5 | 15.5 |

| Valve positions | 2  | 3  | 4   | 5   | 6   | 7   | 8   | 9   | 10  |
|-----------------|----|----|-----|-----|-----|-----|-----|-----|-----|
| L1 [mm]         | 72 | 94 | 116 | 138 | 160 | 182 | 204 | 226 | 248 |
| L2 [mm]         | 60 | 82 | 104 | 126 | 148 | 170 | 192 | 214 | 236 |

## Data sheet – Manifold block, size 20

### Dimensions

Manifold block, extension module for 3/2-way valves, standard



[1] Ports 1 and 3; threaded connection G3/8 at one end

[3] Threaded connection at port 12: G1/8 at one end

[6] Profile slot IPM-05, system 5

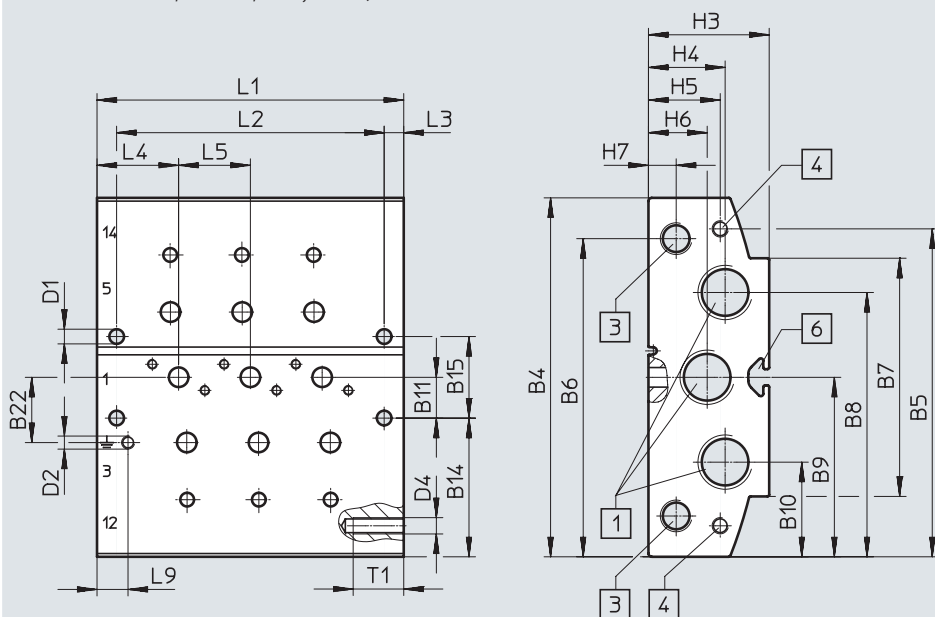
| Type                    | B4   | B5 | B6   | B7 | B8 | B9 | B16 | H3 | H4   | H5  | H6 | H7 | H9 | L4 | L5 | L10 |
|-------------------------|------|----|------|----|----|----|-----|----|------|-----|----|----|----|----|----|-----|
| VABM-B10-20EEE-G38-2-P3 | 75.5 | 53 | 66.5 | 63 | 50 | 24 | 5.5 | 37 | 23.5 | 8.5 | 18 | 5  | 32 | 13 | 22 | 10  |

|                 |    |
|-----------------|----|
| Valve positions | 2  |
| L1 [mm]         | 60 |

## Data sheet – Manifold block, size 20

### Dimensions

Manifold block for 5/2- and 5/3-way valves, standard



[1] Ports 1, 3 and 5 (at both ends):  
G3/8

[3] Ports 12 and 14 (at both ends):  
G1/8

[4] Thread M5x15.5 for extension  
module

[6] Profile slot IPM-05, system 5

| Type                 | B4  | B5    | B6   | B7 | B8 | B9 | B10 | B11  | B14  | B15 | B22 |
|----------------------|-----|-------|------|----|----|----|-----|------|------|-----|-----|
| VABM-B10-20E-G38-... | 110 | 100.5 | 97.5 | 73 | 81 | 55 | 29  | 12.5 | 42.5 | 25  | 20  |

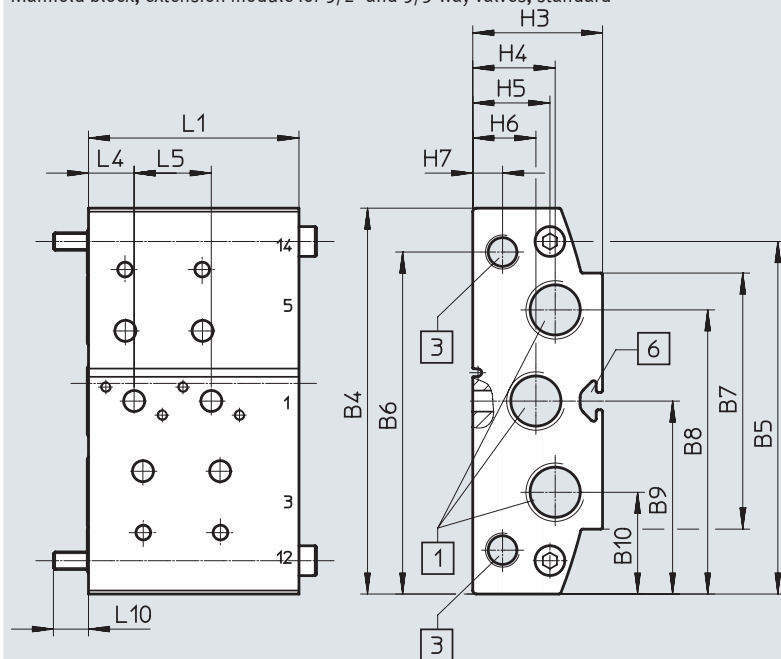
| Type                 | D1 ø | D2     | D4 | H3 | H4   | H5 | H6 | H7  | L3 | L4 | L5 | L9  | T1   |
|----------------------|------|--------|----|----|------|----|----|-----|----|----|----|-----|------|
| VABM-B10-20E-G38-... | 4.5  | M4x6.5 | M5 | 37 | 23.5 | 22 | 18 | 8.5 | 6  | 25 | 22 | 9.5 | 15.5 |

| Valve positions | 2  | 3  | 4   | 5   | 6   | 7   | 8   | 9   | 10  |
|-----------------|----|----|-----|-----|-----|-----|-----|-----|-----|
| L1 [mm]         | 72 | 94 | 116 | 138 | 160 | 182 | 204 | 226 | 248 |
| L2 [mm]         | 60 | 82 | 104 | 126 | 148 | 170 | 192 | 214 | 236 |

## Data sheet – Manifold block, size 20

### Dimensions

Manifold block, extension module for 5/2- and 5/3-way valves, standard



[1] Ports 1, 3 and 5; threaded connection G3/8 at one end

[3] Threaded connection at ports 12 and 14: G1/8 at one end

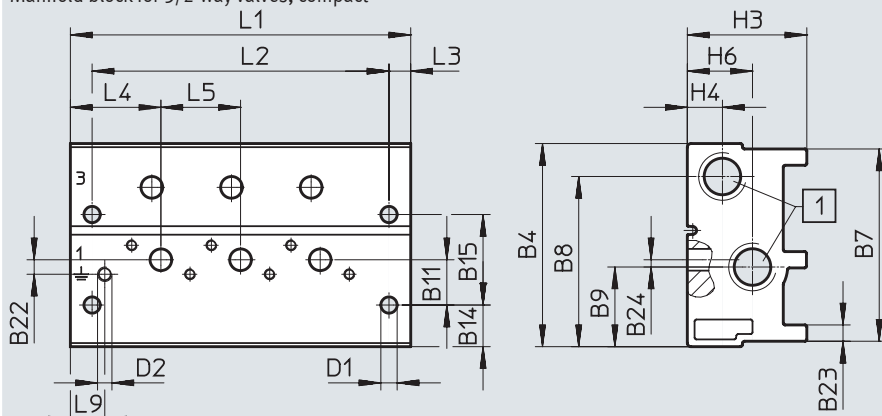
[6] Profile slot IPM-05, system 5

| Type                 | B4  | B5    | B6   | B7 | B8 | B9 | B10 | H3 | H4   | H5 | H6 | H7  | L4 | L5 | L10 |
|----------------------|-----|-------|------|----|----|----|-----|----|------|----|----|-----|----|----|-----|
| VABM-B10-20EEE-G38-2 | 110 | 100.5 | 97.5 | 73 | 81 | 55 | 29  | 37 | 23.5 | 22 | 18 | 8.5 | 13 | 22 | 10  |
| Valve positions      | 2   |       |      |    |    |    |     |    |      |    |    |     |    |    |     |
| L1 [mm]              | 60  |       |      |    |    |    |     |    |      |    |    |     |    |    |     |

Data sheet – Manifold block, size 20

**Dimensions**

Manifold block for 3/2-way valves, compact



[1] Ports 1 and 3 (at both ends):  
G1/4

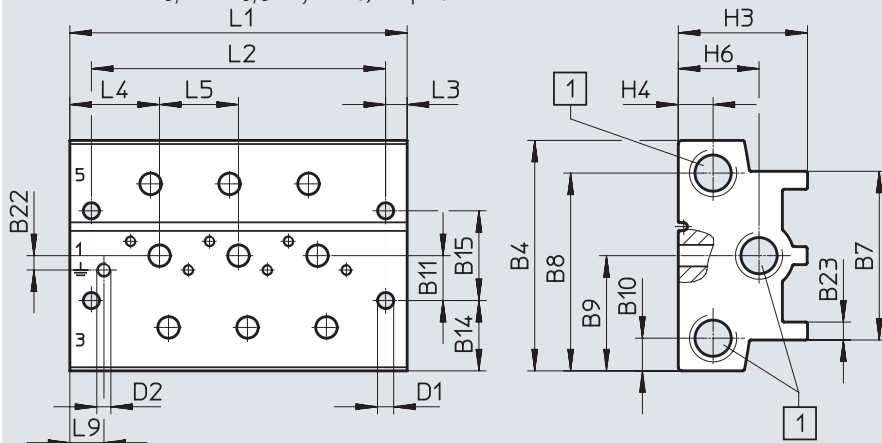
| Type                    | B4   | B7   | B8  | B9 | B11  | B14  | B15 | B22 | B23 | B24 |
|-------------------------|------|------|-----|----|------|------|-----|-----|-----|-----|
| VABM-B10-20S-G14-...-P3 | 56.1 | 53.1 | 471 | 22 | 12.5 | 11.5 | 25  | 4   | 5   | 2   |

| Type                    | D1 ø | D2     | H3 | H4  | H6 | L3 | L4 | L5 | L9  |
|-------------------------|------|--------|----|-----|----|----|----|----|-----|
| VABM-B10-20S-G14-...-P3 | 4.5  | M4x6.5 | 33 | 9.7 | 18 | 6  | 25 | 22 | 9.5 |

| Valve positions | 2  | 3  | 4   | 5   | 6   | 7   | 8   | 9   | 10  |
|-----------------|----|----|-----|-----|-----|-----|-----|-----|-----|
| L1 [mm]         | 72 | 94 | 116 | 138 | 160 | 182 | 204 | 226 | 248 |
| L2 [mm]         | 60 | 82 | 104 | 126 | 148 | 170 | 192 | 214 | 236 |

**Dimensions**

Manifold block for 5/2- and 5/3-way valves, compact



[1] Ports 1, 3 and 5 (at both ends):  
G1/4

| Type                 | B4   | B7 | B8   | B9   | B10 | B11  | B14   | B15 | B22 | B23 |
|----------------------|------|----|------|------|-----|------|-------|-----|-----|-----|
| VABM-B10-20S-G14-... | 64.2 | 47 | 55.1 | 32.1 | 9.1 | 12.5 | 149.6 | 25  | 4   | 5   |

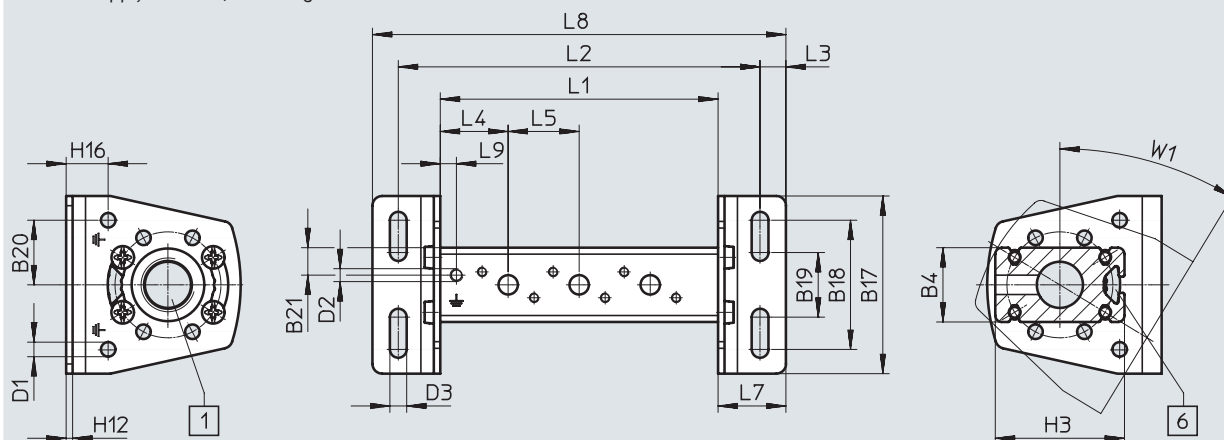
| Type                 | D1 ø | D2     | H3 | H4  | H6   | L3 | L4 | L5 | L9  |
|----------------------|------|--------|----|-----|------|----|----|----|-----|
| VABM-B10-20S-G14-... | 4.5  | M4x6.5 | 36 | 9.7 | 22.5 | 6  | 25 | 22 | 9.5 |

| Valve positions | 2  | 3  | 4   | 5   | 6   | 7   | 8   | 9   | 10  |
|-----------------|----|----|-----|-----|-----|-----|-----|-----|-----|
| L1 [mm]         | 72 | 94 | 116 | 138 | 160 | 182 | 204 | 226 | 248 |
| L2 [mm]         | 60 | 82 | 104 | 126 | 148 | 170 | 192 | 214 | 236 |

## Data sheet – Manifold block, size 20

### Dimensions

Common supply manifold, mounting on both sides



[1] Port 1 (at both ends): G3/8

[6] Profile slot IPM-05, system 5

**Note**

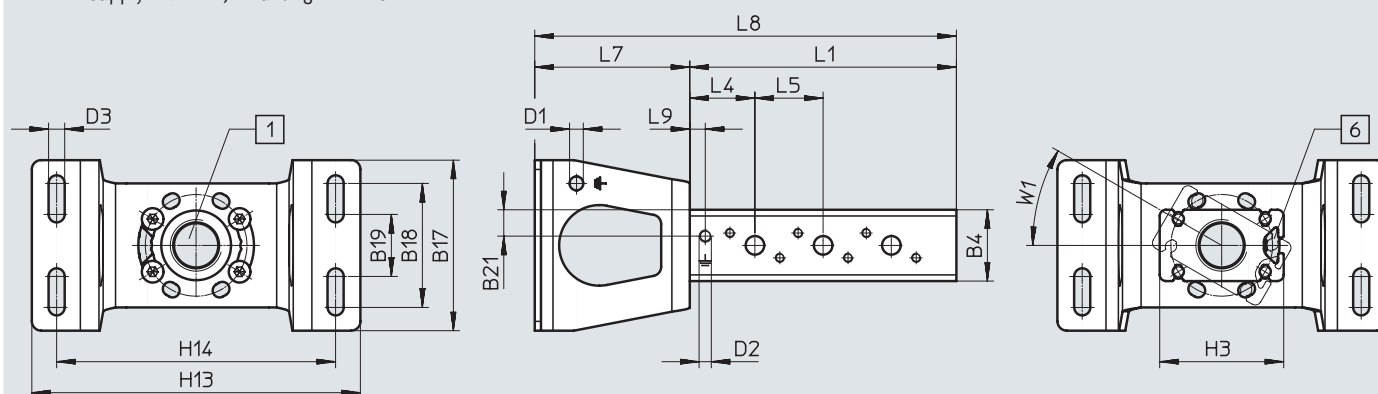
Mounting bracket can be adjusted through  $\pm 30^\circ$

| Type                    | B4 | B17 | B18 | B19 | B20 | B21 | D1 $\varnothing$ | D2     | D3 $\varnothing$ | H3 | H12 | H16 | L3 | L4 | L5 | L7 | L9 | W1    |
|-------------------------|----|-----|-----|-----|-----|-----|------------------|--------|------------------|----|-----|-----|----|----|----|----|----|-------|
| VABM-B10-20-G38-...-P53 | 23 | 55  | 40  | 20  | 20  | 8.5 | 4.5              | M4x6.5 | 5.2              | 40 | 2   | 13  | 9  | 21 | 22 | 22 | 5  | 31.3° |

| Valve positions | 2   | 3   | 4   | 5   | 6   | 7   | 8   | 9   | 10  |
|-----------------|-----|-----|-----|-----|-----|-----|-----|-----|-----|
| L1 [mm]         | 64  | 86  | 108 | 130 | 152 | 174 | 196 | 218 | 240 |
| L2 [mm]         | 90  | 112 | 134 | 156 | 178 | 200 | 222 | 244 | 266 |
| L8 [mm]         | 106 | 128 | 150 | 172 | 194 | 216 | 238 | 260 | 282 |

### Dimensions

Common supply manifold, mounting on one side



[1] Port 1 (at both ends): G3/8

[6] Profile slot IPM-05, system 5

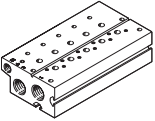

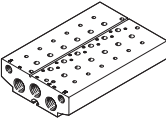

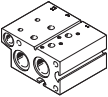
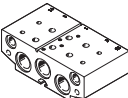
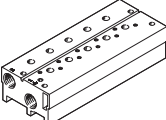

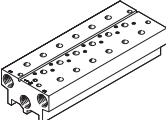

**Note**

Mounting bracket can be adjusted through  $\pm 30^\circ$

| Type                      | B4 | B17 | B18 | B19 | B21 | D1 $\varnothing$ | D2     | D3 $\varnothing$ | H3 | H13 | H14 | L4 | L5 | L7 | L9 | W1  |
|---------------------------|----|-----|-----|-----|-----|------------------|--------|------------------|----|-----|-----|----|----|----|----|-----|
| VABM-B10-20-G38-...-P53-E | 23 | 55  | 40  | 20  | 8.5 | 4.5              | M4x6.5 | 5.2              | 40 | 106 | 90  | 21 | 22 | 50 | 5  | 30° |

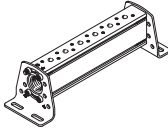
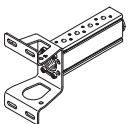
| Valve positions | 2   | 3   | 4   |
|-----------------|-----|-----|-----|
| L1 [mm]         | 64  | 86  | 108 |
| L8 [mm]         | 114 | 136 | 158 |


Ordering data – Manifold block, size 20

| Ordering data  | Description  | Valve positions  | Part no.   | Type                    |
|--|--|--|--|-------------------------|
| <b>Standard manifold block</b>   |  |  |  |                         |
|    | For 3/2-way valves, incl. seals and screws for mounting valves<br><br>-  - <b>Note</b><br>Blanking plugs for sealing the supply ports (1, 3 and 14) at one end are included in the scope of delivery. | 2  | 576441   | VABM-B10-20E-G38-2-P3   |
|  |  | 3  | 576442   | VABM-B10-20E-G38-3-P3   |
|  |  | 4  | 576443   | VABM-B10-20E-G38-4-P3   |
|  |  | 5  | 576444   | VABM-B10-20E-G38-5-P3   |
|  |  | 6  | 576445   | VABM-B10-20E-G38-6-P3   |
|  |  | 7  | 576446   | VABM-B10-20E-G38-7-P3   |
|  |  | 8  | 576447   | VABM-B10-20E-G38-8-P3   |
|  |  | 9  | 576448   | VABM-B10-20E-G38-9-P3   |
|  |  | 10   | 576449   | VABM-B10-20E-G38-10-P3  |
|  |  |    | For 5/2 and 5/3-way valves, incl. seals and screws for valve assembly<br><br>-  - <b>Note</b><br>Blanking plugs for sealing the supply ports (1, 3, 5, 12 and 14) at one end are included in the scope of delivery. | 2                       |
| 3  | 576340   |  |  | VABM-B10-20E-G38-3      |
| 4  | 576341   |  |  | VABM-B10-20E-G38-4      |
| 5  | 576342   |  |  | VABM-B10-20E-G38-5      |
| 6  | 576343   |  |  | VABM-B10-20E-G38-6      |
| 7  | 576344   |  |  | VABM-B10-20E-G38-7      |
| 8  | 576345   |  |  | VABM-B10-20E-G38-8      |
| 9  | 576346   |  |  | VABM-B10-20E-G38-9      |
| 10   | 576347   |  |  | VABM-B10-20E-G38-10     |
| <b>Manifold block, extension module for standard manifold block</b>                |  |  |  |                         |
|   | For 3/2-way valves, incl. seals and screws for mounting valves   | 2  | 576490   | VABM-B10-20EEE-G38-2-P3 |
|  | For 5/2 and 5/3-way valves, incl. seals and screws for valve assembly  | 2  | 576489   | VABM-B10-20EEE-G38-2    |
| <b>Compact manifold block</b>  |  |  |  |                         |
|  | For 3/2-way valves, incl. seals and screws for mounting valves<br><br>-  - <b>Note</b><br>Blanking plugs for sealing the supply ports (1 and 3) at one end are included in the scope of delivery.   | 2  | 576465   | VABM-B10-20S-G14-2-P3   |
|  |  | 3  | 576466   | VABM-B10-20S-G14-3-P3   |
|  |  | 4  | 576467   | VABM-B10-20S-G14-4-P3   |
|  |  | 5  | 576468   | VABM-B10-20S-G14-5-P3   |
|  |  | 6  | 576469   | VABM-B10-20S-G14-6-P3   |
|  |  | 7  | 576470   | VABM-B10-20S-G14-7-P3   |
|  |  | 8  | 576471   | VABM-B10-20S-G14-8-P3   |
|  |  | 9  | 576472   | VABM-B10-20S-G14-9-P3   |
|  |  | 10   | 576473   | VABM-B10-20S-G14-10-P3  |
|  |  |  | For 5/2 and 5/3-way valves, incl. seals and screws for valve assembly<br><br>-  - <b>Note</b><br>Blanking plugs for sealing the supply ports (1, 3 and 5) at one end are included in the scope of delivery.       | 2                       |
| 3  | 576418   |  |  | VABM-B10-20S-G14-3      |
| 4  | 576419   |  |  | VABM-B10-20S-G14-4      |
| 5  | 576420   |  |  | VABM-B10-20S-G14-5      |
| 6  | 576421   |  |  | VABM-B10-20S-G14-6      |
| 7  | 576422   |  |  | VABM-B10-20S-G14-7      |
| 8  | 576423   |  |  | VABM-B10-20S-G14-8      |
| 9  | 576424   |  |  | VABM-B10-20S-G14-9      |
| 10   | 576425   |  |  | VABM-B10-20S-G14-10     |



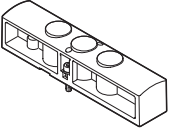
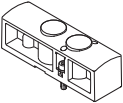

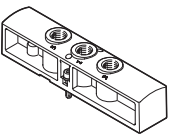
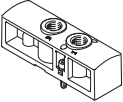

## Ordering data – Manifold block, size 20

| Ordering data   | Description   | Valve positions   | Part no.  | Type                    |
|---|---|---|---|-------------------------|
| <b>Common supply manifold</b>   |   |   |   |                         |
|  | For mounting on both sides, incl. seals and screws for valve mounting | 2   | 576363  | VABM-B10-20-G38-2-P53   |
|   |   | 3   | 576364  | VABM-B10-20-G38-3-P53   |
|   |   | 4   | 576365  | VABM-B10-20-G38-4-P53   |
|   |   | 5   | 576366  | VABM-B10-20-G38-5-P53   |
|   |   | 6   | 576367  | VABM-B10-20-G38-6-P53   |
|   |   | 7   | 576368  | VABM-B10-20-G38-7-P53   |
|   |   | 8   | 576369  | VABM-B10-20-G38-8-P53   |
|   |   | 9   | 576370  | VABM-B10-20-G38-9-P53   |
|   |   | 10  | 576371  | VABM-B10-20-G38-10-P53  |
|   |   |  | For mounting on one side, incl. seals and screws for valve mounting | 2                       |
| 3   | 576415  |   |   | VABM-B10-20-G38-3-P53-E |
| 4   | 576416  |   |   | VABM-B10-20-G38-4-P53-E |





 **Note**

Blanking plug for sealing the supply port (1) at one end included in the scope of delivery.

Accessories – Manifold block, size 20

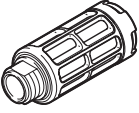
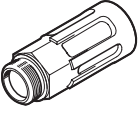

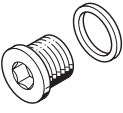

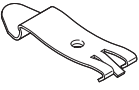
| Ordering data  | Description   | Weight [g] | Part no.      | Type                           |
|--|---|------------|---------------|--------------------------------|
| <b>Blanking plate</b>  |   |            |               |                                |
|    | For valve position on manifold block for 5/2-, 5/3-way valves | 78         | <b>576410</b> | <b>VABB-B10-20-E</b>           |
|    | For valve position on manifold block for 3/2-way valves       | 56         | <b>576411</b> | <b>VABB-B10-20-E-P3</b>        |
|    | For valve position on common supply manifold                  | 13         | <b>576409</b> | <b>VABB-B10-20-A</b>           |
| <b>Supply plate</b>  |   |            |               |                                |
|    | For valve position on manifold block for 5/2-, 5/3-way valves | 78         | <b>576492</b> | <b>VABF-B10-20-P1A4-G18</b>    |
|   | For valve position on manifold block for 3/2-way valves       | 56         | <b>576493</b> | <b>VABF-B10-20-P1A4-G18-P3</b> |
| <b>Supply plate</b>  |   |            |               |                                |
|  | For valve position on common supply manifold                  | 13         | <b>576491</b> | <b>VABF-B10-20-P1-G18</b>      |

## Accessories – Manifold block, size 20

| Ordering data   |  | Description | Part no.       | Type            | PU <sup>1)</sup> |
|---|--|-------------|----------------|-----------------|------------------|
| <b>Push-in fitting with external hex</b>  |  |             |                |                 |                  |
|    | Connecting thread M5 for tubing O.D.   | 12 mm       | 186350         | QS-G1/4-12      | 10               |
|   | Connecting thread G3/8 for tubing O.D. | 16 mm       | 186347         | QS-G3/8-16      | 1                |
| <b>Push-in fitting with internal hex</b>  |  |             |                |                 |                  |
|    | Connecting thread M5 for tubing O.D.   | 4 mm        | 153315         | QSM-M5-4-I      | 10               |
|   | Connecting thread G1/8 for tubing O.D. | 4 mm        | 186106         | QS-G1/8-4-I     | 10               |
|   |  |             | 133008         | QS-G1/8-4-I-100 | 100              |
|   |  | 6 mm        | 186107         | QS-G1/8-6-I     | 10               |
|   |  |             | 133009         | QS-G1/8-6-I-100 | 100              |
|   |  |             | 8 mm           | 186109          | QS-G1/8-8-I      |
|   |  |             | 133010         | QS-G1/8-8-I-100 | 100              |
|   | Connecting thread G1/4 for tubing O.D. | 8 mm        | 186110         | QS-G1/4-8-I     | 10               |
|   |  | 10 mm       | 186112         | QS-G1/4-10-I    | 10               |
|   | Connecting thread G3/8 for tubing O.D. | 8 mm        | 186111         | QS-G3/8-8-I     | 10               |
|   |  | 10 mm       | 186113         | QS-G3/8-10-I    | 10               |
| 12 mm   |  | 186114      | QS-G3/8-12-I   | 10              |                  |
| <b>Angled push-in fitting with external hex</b>                                     |  |             |                |                 |                  |
|    | Connecting thread G1/8 for tubing O.D. | 4 mm        | 186116         | QSL-G1/8-4      | 10               |
|   |  |             | 132048         | QSL-G1/8-4-100  | 100              |
|   |  | 6 mm        | 186117         | QSL-G1/8-6      | 10               |
|   |  |             | 132049         | QSL-G1/8-6-100  | 100              |
|   |  |             | 8 mm           | 186119          | QSL-G1/8-8       |
|   |  |             | 132050         | QSL-G1/8-8-50   | 50               |
|   | Connecting thread G1/4 for tubing O.D. | 8 mm        | 186120         | QSL-G1/4-8      | 10               |
|   |  |             | 132052         | QSL-G1/4-8-50   | 50               |
|   |  | 10 mm       | 186122         | QSL-G1/4-10     | 10               |
|   |  |             | 132053         | QSL-G1/4-10-50  | 50               |
|   |  |             | 12 mm          | 186351          | QSL-G1/4-12      |
|   |  |             | 132054         | QSL-G1/4-12-20  | 20               |
|   | Connecting thread G3/8 for tubing O.D. | 8 mm        | 186121         | QSL-G3/8-8      | 10               |
|   |  |             | 132055         | QSL-G3/8-8-50   | 50               |
|   |  | 10 mm       | 186123         | QSL-G3/8-10     | 10               |
| 132056  |  |             | QSL-G3/8-10-20 | 20              |                  |
| 12 mm   |  |             | 186124         | QSL-G3/8-12     | 10               |
|   |  |             | 132057         | QSL-G3/8-12-20  | 20               |
| 16 mm   |  | 186348      | QSL-G3/8-16    | 1               |                  |
| <b>Angled push-in fitting with external hex</b>                                     |  |             |                |                 |                  |
|  | Connecting thread G1/8 for tubing O.D. | 4 mm        | 186116         | QSL-G1/8-4      | 10               |
|   |  |             | 132048         | QSL-G1/8-4-100  | 100              |
|   |  | 6 mm        | 186117         | QSL-G1/8-6      | 10               |
|   |  |             | 132049         | QSL-G1/8-6-100  | 100              |
|   |  |             | 8 mm           | 186119          | QSL-G1/8-8       |
|   |  | 132050      | QSL-G1/8-8-50  | 50              |                  |


1) Packaging unit

Accessories – Manifold block, size 20

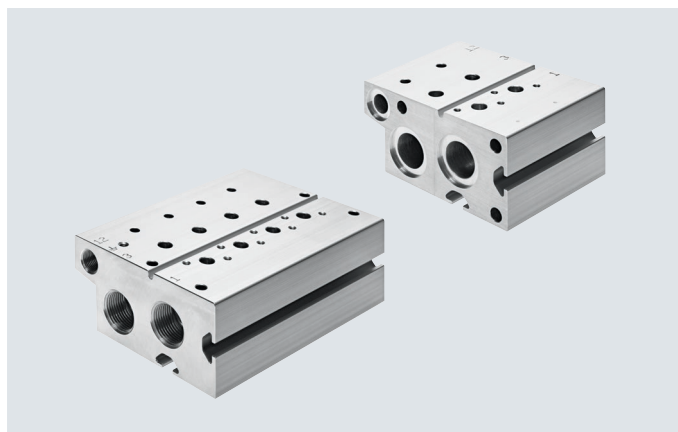
| Ordering data  |   | Description   | Part no. | Type          | PU <sup>1)</sup> |
|--|---|---------------|----------|---------------|------------------|
| <b>Silencer</b>  |   |               |          |               |                  |
|    | With connecting thread G, polymer design  | G1/8          | 2307     | U-1/8         | 1                |
|  |   |               | 534222   | U-1/8-50      | 50               |
|  |   | G1/4          | 2316     | U-1/4         | 1                |
|  |   |               | 534223   | U-1/4-20      | 20               |
|    | With connecting thread G, metal design  | G3/8          | 534224   | U-3/8-20      | 20               |
|  |   | G1/8          | 6841     | U-1/8-B       | 1                |
|  |   | G1/4          | 6842     | U-1/4-B       | 1                |
|    | With connecting thread G, sintered design, long                                 | G3/8          | 6843     | U-3/8-B       | 1                |
|  |   | G1/4          | 1205861  | AMTE-M-LH-G14 | 20               |
| G3/8   | 1205862   | AMTE-M-LH-G38 | 10       |               |                  |
| <b>Blanking plug</b>   |   |               |          |               |                  |
|    | With connecting thread G  | G1/8          | 3568     | B-1/8         | 10               |
|  |   |               | 534213   | B-1/8-100     | 100              |
|  |   | G1/4          | 3569     | B-1/4         | 10               |
|  |   |               | 534214   | B-1/4-50      | 50               |
|  |   | G3/8          | 3570     | B-3/8         | 10               |
|  |   |               | 534215   | B-3/8-20      | 20               |
| <b>Separator</b>   |   |               |          |               |                  |
|   | For creating pressure zones   | G1/4          | 569996   | VABD-10-B     | 1                |
|  |   | G3/8          | 574483   | VABD-14-B     | 1                |
| <b>H-rail mounting</b>   |   |               |          |               |                  |
|  | For size 20, for mounting on standard H-rails TH 35-7.5 or TH 35-15 to EN 60715 |               | 569998   | VAME-T-M4     | 2                |

1) Packaging unit

## Data sheet – Manifold block, size 25

-  - Flow rate  
up to 1300 l/min

-  - Valve width  
26.5 mm



| General technical data            | Manifold block standard |          | Extension module for standard manifold block |          | Manifold block compact |          | Common supply manifold |             |
|-----------------------------------|-------------------------|----------|--|----------|------------------------|----------|------------------------|-------------|
|                                   | 3/2                     | 5/2, 5/3 | 3/2  | 5/2, 5/3 | 3/2                    | 5/2, 5/3 | On both sides          | On one side |
| For valves                        | 3/2                     | 5/2, 5/3 | 3/2  | 5/2, 5/3 | 3/2                    | 5/2, 5/3 | 3/2, 5/2, 5/3          |             |
| Grid dimension [mm]               | 27.5                    |          |  |          |                        |          |                        |             |
| Type of mounting                  | Via through-hole        |          |  |          |                        |          | Via mounting bracket   |             |
| Maximum number of valve positions | 10                      | 10       | 2  | 2        | 10                     | 10       | 10                     | 4           |
| Port 1                            | G1/2                    | G1/2     | G1/2   | G1/2     | G3/8                   | G3/8     | G1/2                   | G1/2        |
| Port 3                            | G1/2                    | G1/2     | G1/2   | G1/2     | G3/8                   | G3/8     | -                      | -           |
| Port 5                            | -                       | G1/2     | -  | G1/2     | -                      | G3/8     | -                      | -           |
| Port 12                           | G1/8                    | G1/8     | G1/8   | G1/8     | -                      | -        | -                      | -           |
| Port 14                           | -                       | G1/8     | -  | G1/8     | -                      | -        | -                      | -           |
| CRC <sup>1)</sup>                 | 2 <sup>1)</sup>         |          |  |          |                        |          |                        |             |

1) More information: [www.festo.com/x/topic/kbk](http://www.festo.com/x/topic/kbk)

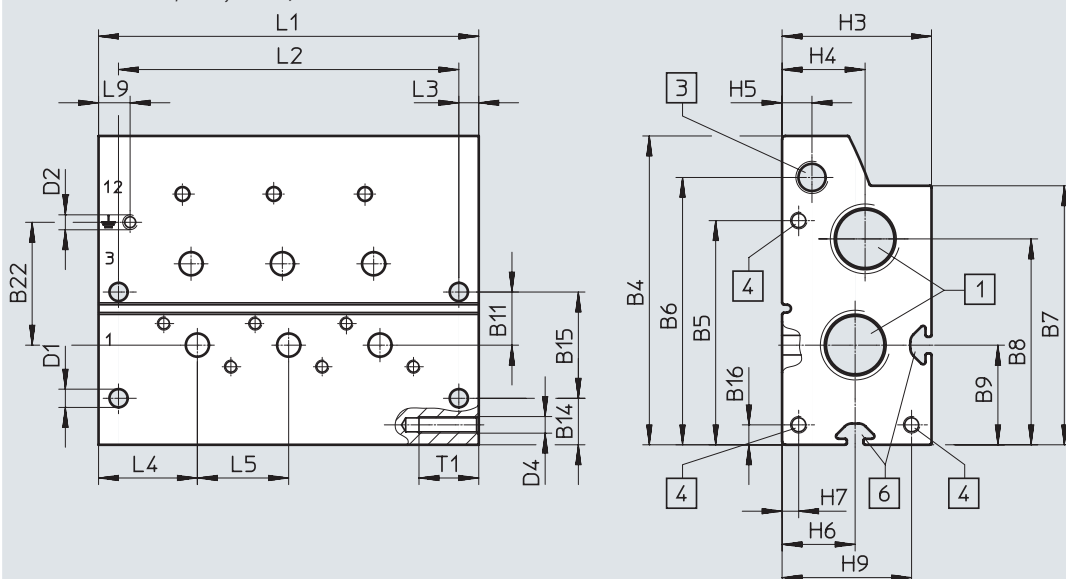
| Weight [g]  | 2   | 3    | 4    | 5    | 6    | 7    | 8    | 9    | 10   |
|---|-----|------|------|------|------|------|------|------|------|
| <b>Manifold block for 3/2-way valves, standard</b>                            |     |      |      |      |      |      |      |      |      |
| VABM-B10-25E-...G12-...-P3  | 726 | 960  | 1194 | 1428 | 1662 | 1896 | 2130 | 2364 | 2598 |
| <b>Manifold block, extension module for 3/2-way valves, standard</b>          |     |      |      |      |      |      |      |      |      |
| VABM-B10-25EEE-G12-2-P3   | 340 | -    | -    | -    | -    | -    | -    | -    | -    |
| <b>Manifold block for 5/2- and 5/3-way valves, standard</b>                   |     |      |      |      |      |      |      |      |      |
| VABM-B10-25E-...G12-...   | 927 | 1224 | 1521 | 1818 | 2115 | 2412 | 2709 | 3006 | 3303 |
| <b>Manifold block, extension module for 5/2- and 5/3-way valves, standard</b> |     |      |      |      |      |      |      |      |      |
| VABM-B10-25EEE-G12-2  | 258 | -    | -    | -    | -    | -    | -    | -    | -    |
| <b>Manifold block for 3/2-way valves, compact</b>                             |     |      |      |      |      |      |      |      |      |
| VABM-B10-25S-...G38-...-P3  | 369 | 488  | 607  | 726  | 845  | 964  | 1083 | 1202 | 1321 |
| <b>Manifold block for 5/2- and 5/3-way valves, compact</b>                    |     |      |      |      |      |      |      |      |      |
| VABM-B10-25S-...G38-...   | 438 | 579  | 720  | 861  | 1002 | 1143 | 1284 | 1425 | 1566 |
| <b>Common supply manifold for mounting on both sides</b>                      |     |      |      |      |      |      |      |      |      |
| VABM-B10-25-...G12-...-P53  | 258 | 340  | 422  | 504  | 586  | 668  | 750  | 832  | 914  |
| <b>Common supply manifold for mounting on one side</b>                        |     |      |      |      |      |      |      |      |      |
| VABM-B10-25-G12-...-P53-E   | 258 | 340  | 422  | -    | -    | -    | -    | -    | -    |

| Information on materials |                         |
|--------------------------|-------------------------|
| Information on materials | Wrought aluminium alloy |
| Note on materials        | RoHS-compliant          |

## Data sheet – Manifold block, size 25

### Dimensions

Manifold block for 3/2-way valves, standard



[1] Ports 1 and 3 (at both ends):  
G1/2

[3] Port 12 (at both ends): G1/8

[4] Thread M5x18 for extension  
module

[6] Profile slot IPM-05, system 5

| Type                       | B4 | B5   | B6   | B7 | B8 | B9 | B11 | B14 | B15 | B16 | B22 |
|----------------------------|----|------|------|----|----|----|-----|-----|-----|-----|-----|
| VABM-B10-25-E...G12-...-P3 | 93 | 67.5 | 80.5 | 78 | 62 | 30 | 16  | 14  | 32  | 6   | 37  |

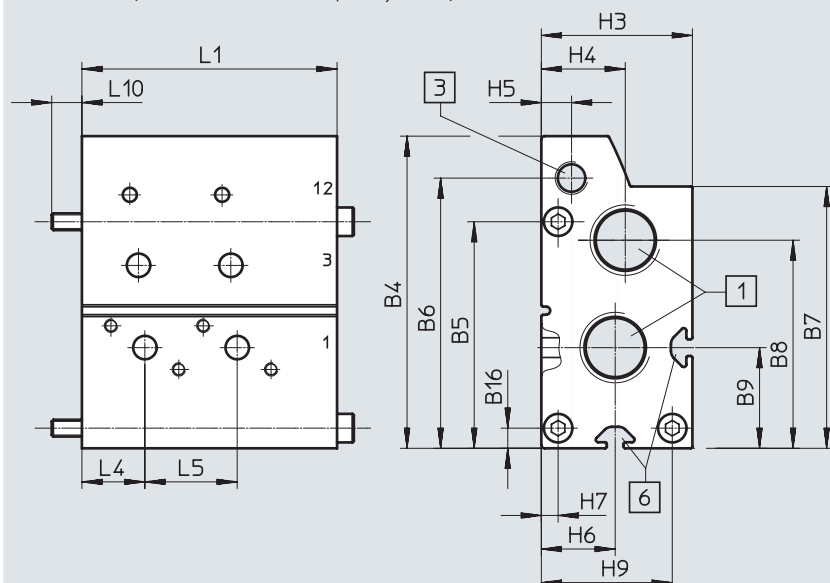
| Type                       | D1 ø | D2   | D4 | H3 | H4 | H5 | H6 | H7 | H9 | L3 | L4   | L5   | L9  | T1 |
|----------------------------|------|------|----|----|----|----|----|----|----|----|------|------|-----|----|
| VABM-B10-25-E...G12-...-P3 | 5.5  | M4x9 | M5 | 45 | 25 | 9  | 22 | 5  | 39 | 6  | 29.8 | 27.5 | 9.5 | 18 |

| Valve positions | 2  | 3     | 4   | 5     | 6   | 7     | 8   | 9     | 10  |
|-----------------|----|-------|-----|-------|-----|-------|-----|-------|-----|
| L1 [mm]         | 87 | 114.5 | 142 | 169.5 | 197 | 224.5 | 252 | 279.5 | 307 |
| L2 [mm]         | 75 | 102.5 | 130 | 157.5 | 185 | 212.5 | 240 | 267.5 | 295 |

## Data sheet – Manifold block, size 25

### Dimensions

Manifold block, extension module for 3/2-way valves, standard



[1] Ports 1 and 3; threaded connection G1/2 at one end

[3] Threaded connection at port 12: G1/8 at one end

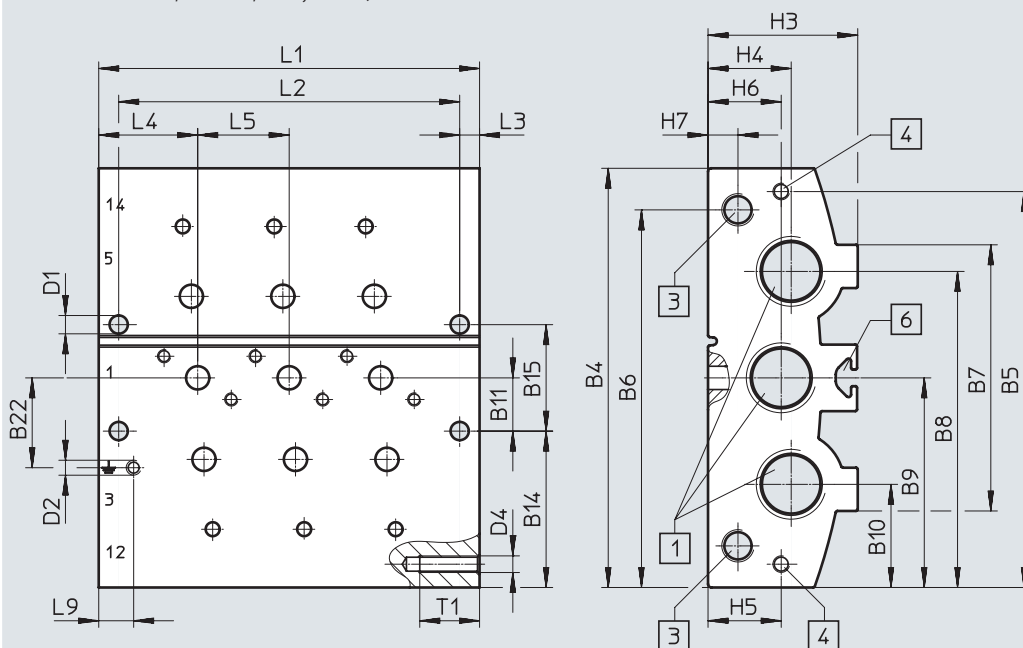
[6] Profile slot IPM-05, system 5

| Type                    | B4 | B5   | B6   | B7 | B8 | B9 | B16 | H3 | H4 | H5 | H6 | H7 | H9 | L4   | L5   | L10 |
|-------------------------|----|------|------|----|----|----|-----|----|----|----|----|----|----|------|------|-----|
| VABM-B10-25EEE-G12-2-P3 | 93 | 67.5 | 80.5 | 78 | 62 | 30 | 6   | 45 | 25 | 9  | 22 | 5  | 39 | 18.8 | 27.5 | 9   |
| Valve positions         | 2  |      |      |    |    |    |     |    |    |    |    |    |    |      |      |     |
| L1 [mm]                 | 76 |      |      |    |    |    |     |    |    |    |    |    |    |      |      |     |

## Data sheet – Manifold block, size 25

### Dimensions

Manifold block for 5/2- and 5/3-way valves, standard



[1] Ports 1, 3 and 5 (at both ends):  
G1/2

[3] Ports 12 and 14 (at both ends):  
G1/8

[4] Thread M5x18 for extension  
module

[6] Profile slot IPM-05, system 5

| Type                     | B4  | B5  | B6    | B7 | B8 | B9 | B10 | B11 | B14 | B15 | B22 |
|--------------------------|-----|-----|-------|----|----|----|-----|-----|-----|-----|-----|
| VABM-B10-25E-...-G12-... | 126 | 119 | 113.5 | 80 | 95 | 63 | 31  | 16  | 47  | 32  | 27  |

| Type                     | D1 $\varnothing$ | D2   | D4 | H3 | H4 | H5 | H6 | H7 | L3 | L4   | L5   | L9   | T1 |
|--------------------------|------------------|------|----|----|----|----|----|----|----|------|------|------|----|
| VABM-B10-25E-...-G12-... | 5.5              | M4x9 | M5 | 45 | 25 | 22 | 22 | 9  | 6  | 29.8 | 27.5 | 10.5 | 18 |

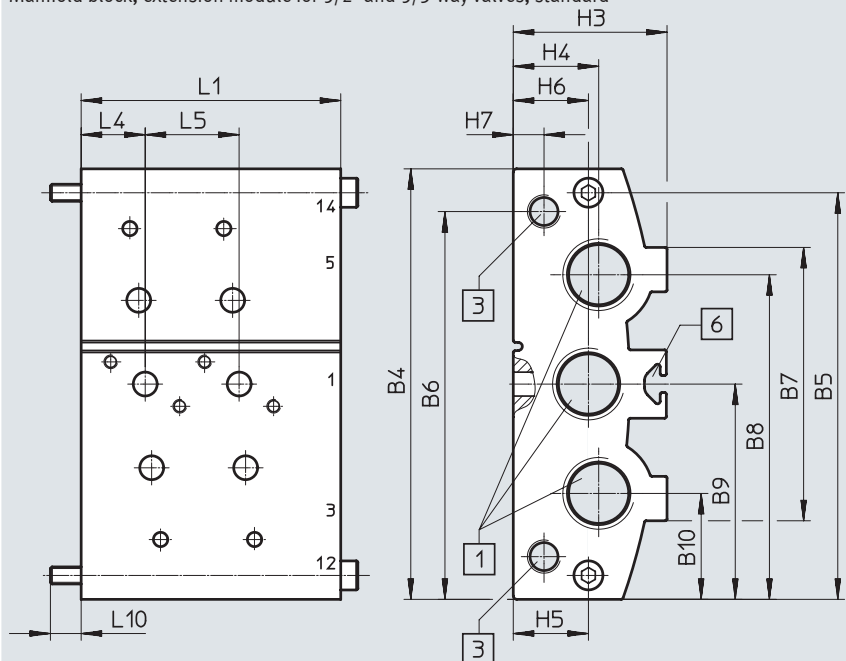
| Valve positions | 2  | 3     | 4   | 5     | 6   | 7     | 8   | 9     | 10  |
|-----------------|----|-------|-----|-------|-----|-------|-----|-------|-----|
| L1 [mm]         | 87 | 114.5 | 142 | 169.5 | 197 | 224.5 | 252 | 279.5 | 307 |
| L2 [mm]         | 75 | 102.5 | 130 | 157.5 | 185 | 212.5 | 240 | 267.5 | 295 |



## Data sheet – Manifold block, size 25

### Dimensions

Manifold block, extension module for 5/2- and 5/3-way valves, standard



[1] Ports 1, 3 and 5; threaded connection G1/2 at one end

[3] Threaded connection at ports 12 and 14: G1/8 at one end

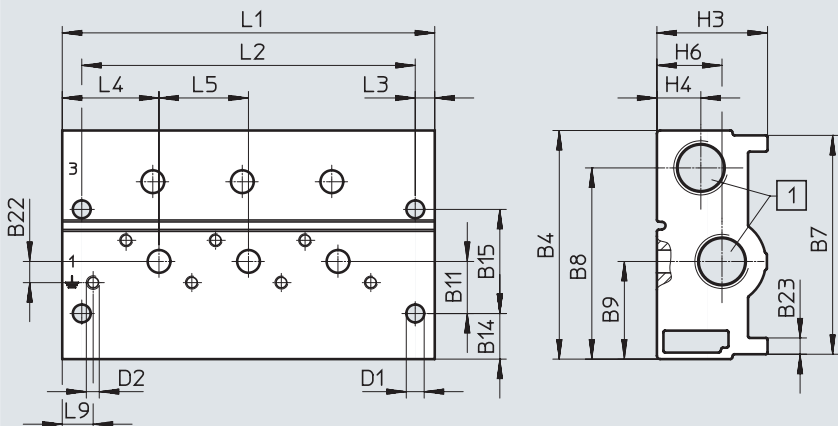
[6] Profile slot IPM-05, system 5

| Type                 | B4  | B5  | B6    | B7 | B8 | B9 | B10 | H3 | H4 | H5 | H6 | H7 | L4   | L5   | L10 |
|----------------------|-----|-----|-------|----|----|----|-----|----|----|----|----|----|------|------|-----|
| VABM-B10-20EEE-G12-2 | 126 | 119 | 113.5 | 80 | 95 | 63 | 31  | 45 | 25 | 22 | 22 | 9  | 18.8 | 27.5 | 9   |
| Valve positions      | 2   |     |       |    |    |    |     |    |    |    |    |    |      |      |     |
| L1 [mm]              | 76  |     |       |    |    |    |     |    |    |    |    |    |      |      |     |

Data sheet – Manifold block, size 25

**Dimensions**

Manifold block for 3/2-way valves, compact



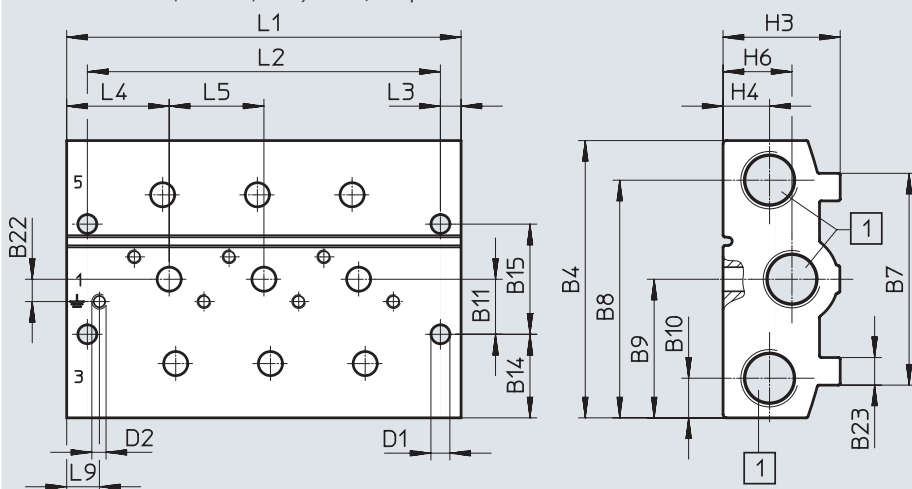
[1] Ports 1 and 3 (at both ends):  
G3/8

|                            |      |       |      |       |     |       |      |       |     |
|----------------------------|------|-------|------|-------|-----|-------|------|-------|-----|
| Type                       | B4   | B7    | B8   | B9    | B11 | B14   | B15  | B22   | B23 |
| VABM-B10-25S-...G38-...-P3 | 70.3 | 67.3  | 58.8 | 30    | 16  | 14    | 32   | 6.5   | 5   |
| Type                       | D1 ø | D2    | H3   | H4    | H6  | L3    | L4   | L5    | L9  |
| VABM-B10-25S-...G38-...-P3 | 5.5  | M4x9  | 34   | 13.5  | 20  | 6     | 29.8 | 27.5  | 9.5 |
| Valve positions            | 2    | 3     | 4    | 5     | 6   | 7     | 8    | 9     | 10  |
| L1 [mm]                    | 87   | 114.5 | 142  | 169.5 | 197 | 224.5 | 252  | 279.5 | 307 |
| L2 [mm]                    | 75   | 102.5 | 130  | 157.5 | 185 | 212.5 | 240  | 267.5 | 295 |

## Data sheet – Manifold block, size 25

### Dimensions

Manifold block for 5/2- and 5/3-way valves, compact



[1] Ports 1, 3 and 5 (at both ends):

G3/8

| Type                    | B4   | B7   | B8 | B9   | B10  | B11 | B14  | B15 | B22 | B23 |
|-------------------------|------|------|----|------|------|-----|------|-----|-----|-----|
| VABM-B10-25S-...G38-... | 80.5 | 61.5 | 69 | 40.3 | 11.5 | 16  | 24.3 | 32  | 6.5 | 8   |

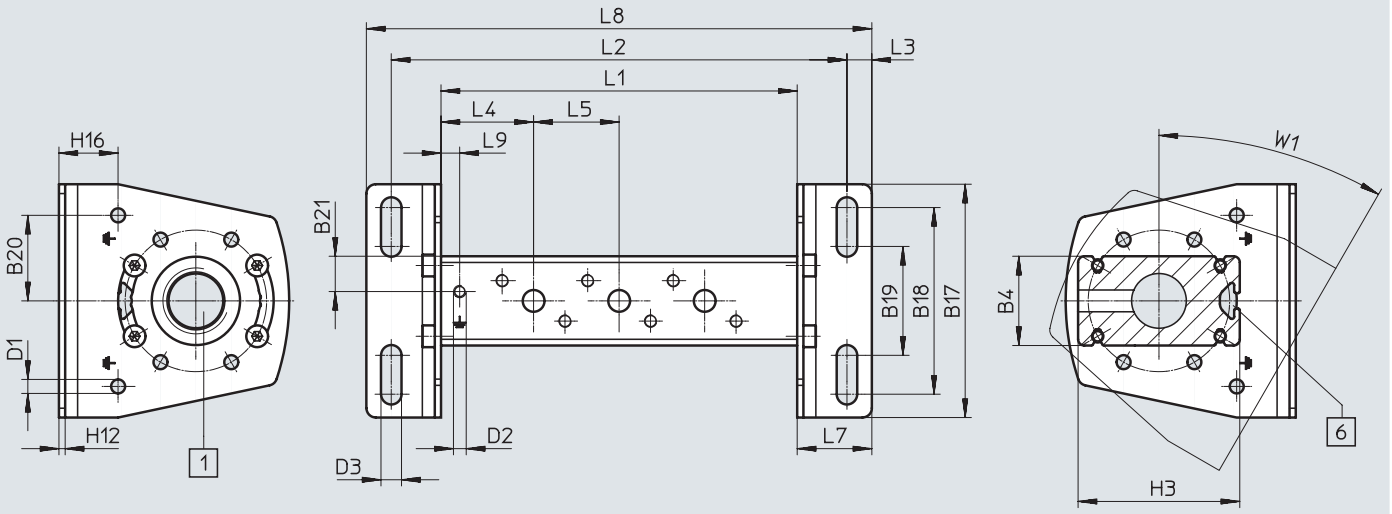
| Type                    | D1 ø | D2   | H3 | H4   | H6 | L3 | L4   | L5   | L9  |
|-------------------------|------|------|----|------|----|----|------|------|-----|
| VABM-B10-25S-...G38-... | 5.5  | M4x9 | 34 | 13.5 | 20 | 6  | 29.8 | 27.5 | 9.5 |

| Valve positions | 2  | 3     | 4   | 5     | 6   | 7     | 8   | 9     | 10  |
|-----------------|----|-------|-----|-------|-----|-------|-----|-------|-----|
| L1 [mm]         | 87 | 114.5 | 142 | 169.5 | 197 | 224.5 | 252 | 279.5 | 307 |
| L2 [mm]         | 75 | 102.5 | 130 | 157.5 | 185 | 212.5 | 240 | 267.5 | 295 |

Data sheet – Manifold block, size 25

**Dimensions**

Common supply manifold, mounting on both sides



[1] Port 1 (at both ends): G1/2

[6] Profile slot IPM-05, system 5

- - **Note**

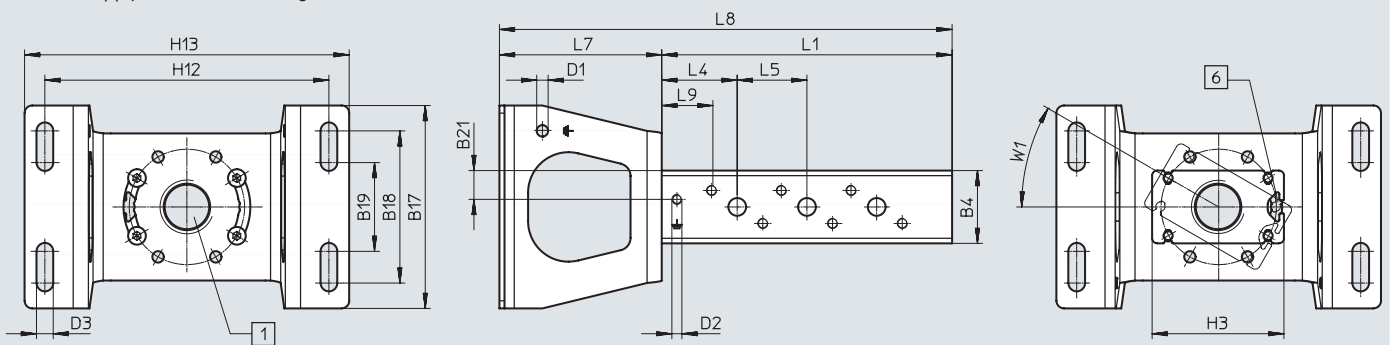
Mounting bracket can be adjusted through  $\pm 30^\circ$

| Type                    | B4   | B17 | B18 | B19 | B20  | B21  | D1 $\varnothing$ | D2   | D3 $\varnothing$ | H3 | H12 | H16 | L3 | L4   | L5   | L7 | L9 | W1 |
|-------------------------|------|-----|-----|-----|------|------|------------------|------|------------------|----|-----|-----|----|------|------|----|----|----|
| VABM-B10-25-G12-...-P53 | 28.7 | 75  | 60  | 35  | 27.5 | 11.4 | 4.5              | M4x9 | 6.6              | 52 | 2   | 19  | 8  | 29.8 | 27.5 | 24 | 6  | 30 |

| Valve positions | 2   | 3     | 4   | 5     | 6   | 7     | 8   | 9     | 10  |
|-----------------|-----|-------|-----|-------|-----|-------|-----|-------|-----|
| L1 [mm]         | 87  | 114.5 | 142 | 169.5 | 197 | 224.5 | 252 | 279.5 | 307 |
| L2 [mm]         | 119 | 146.5 | 174 | 201.5 | 229 | 256.5 | 284 | 311.5 | 339 |
| L8 [mm]         | 135 | 162.5 | 190 | 217.5 | 245 | 272.5 | 300 | 327.5 | 355 |

**Dimensions**

Common supply manifold, mounting on one side



[1] Port 1 (at both ends): G1/2

[6] Profile slot IPM-05, system 5

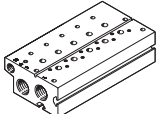

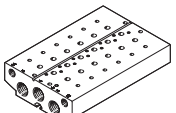

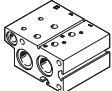
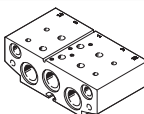
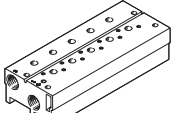

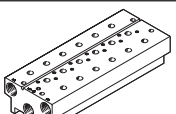

- - **Note**

Mounting bracket can be adjusted through  $\pm 30^\circ$

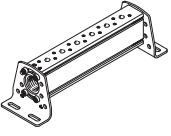
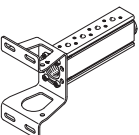
| Type                      | B4   | B17 | B18 | B19 | B21  | D1 $\varnothing$ | D2   | D3 $\varnothing$ | H3 | H13 | H14 | L4   | L5   | L7 | L9 | W1  |
|---------------------------|------|-----|-----|-----|------|------------------|------|------------------|----|-----|-----|------|------|----|----|-----|
| VABM-B10-25-G12-...-P53-E | 28.7 | 80  | 60  | 35  | 11.4 | 4.5              | M4x9 | 6.6              | 52 | 128 | 112 | 29.8 | 27.5 | 64 | 6  | 30° |

| Valve positions | 2   | 3     | 4   |
|-----------------|-----|-------|-----|
| L1 [mm]         | 87  | 114.5 | 142 |
| L8 [mm]         | 151 | 178.5 | 206 |

## Ordering data – Manifold block, size 25

| Ordering data   | Description  | Valve positions   | Part no.   | Type                    |
|---|--|---|--|-------------------------|
| <b>Standard manifold block</b>  |  |   |  |                         |
|    | For 3/2-way valves, incl. seals and screws for mounting valves<br><br> <b>Note</b><br>Blanking plugs for sealing the supply ports (1, 3 and 14) at one end are included in the scope of delivery. | 2   | 8026279  | VABM-B10-25E-G12-2-P3   |
|   |  | 3   | 8026280  | VABM-B10-25E-G12-3-P3   |
|   |  | 4   | 8026281  | VABM-B10-25E-G12-4-P3   |
|   |  | 5   | 8026282  | VABM-B10-25E-G12-5-P3   |
|   |  | 6   | 8026283  | VABM-B10-25E-G12-6-P3   |
|   |  | 7   | 8026284  | VABM-B10-25E-G12-7-P3   |
|   |  | 8   | 8026285  | VABM-B10-25E-G12-8-P3   |
|   |  | 9   | 8026286  | VABM-B10-25E-G12-9-P3   |
|   |  | 10  | 8026287  | VABM-B10-25E-G12-10-P3  |
|   |  |    | For 5/2 and 5/3-way valves, incl. seals and screws for valve assembly<br><br> <b>Note</b><br>Blanking plugs for sealing the supply ports (1, 3, 5, 12 and 14) at one end are included in the scope of delivery. | 2                       |
| 3   | 8026244  |   |  | VABM-B10-25E-G12-3      |
| 4   | 8026245  |   |  | VABM-B10-25E-G12-4      |
| 5   | 8026246  |   |  | VABM-B10-25E-G12-5      |
| 6   | 8026247  |   |  | VABM-B10-25E-G12-6      |
| 7   | 8026248  |   |  | VABM-B10-25E-G12-7      |
| 8   | 8026249  |   |  | VABM-B10-25E-G12-8      |
| 9   | 8026250  |   |  | VABM-B10-25E-G12-9      |
| 10  | 8026251  |   |  | VABM-B10-25E-G12-10     |
| <b>Manifold block, extension module for standard manifold block</b>                 |  |   |  |                         |
|   | For 3/2-way valves, incl. seals and screws for mounting valves   | 2   | 8026316  | VABM-B10-25EEE-G12-2-P3 |
|  | For 5/2 and 5/3-way valves, incl. seals and screws for valve assembly  | 2   | 8026315  | VABM-B10-25EEE-G12-2    |
| <b>Compact manifold block</b>   |  |   |  |                         |
|  | For 3/2-way valves, incl. seals and screws for mounting valves<br><br> <b>Note</b><br>Blanking plugs for sealing the supply ports (1 and 3) at one end are included in the scope of delivery.   | 2   | 8026297  | VABM-B10-25S-G38-2-P3   |
|   |  | 3   | 8026298  | VABM-B10-25S-G38-3-P3   |
|   |  | 4   | 8026299  | VABM-B10-25S-G38-4-P3   |
|   |  | 5   | 8026300  | VABM-B10-25S-G38-5-P3   |
|   |  | 6   | 8026301  | VABM-B10-25S-G38-6-P3   |
|   |  | 7   | 8026302  | VABM-B10-25S-G38-7-P3   |
|   |  | 8   | 8026303  | VABM-B10-25S-G38-8-P3   |
|   |  | 9   | 8026304  | VABM-B10-25S-G38-9-P3   |
|   |  | 10  | 8026305  | VABM-B10-25S-G38-10-P3  |
|   |  |  | For 5/2 and 5/3-way valves, incl. seals and screws for valve assembly<br><br> <b>Note</b><br>Blanking plugs for sealing the supply ports (1, 3 and 5) at one end are included in the scope of delivery.       | 2                       |
| 3   | 8026262  |   |  | VABM-B10-25S-G38-3      |
| 4   | 8026263  |   |  | VABM-B10-25S-G38-4      |
| 5   | 8026264  |   |  | VABM-B10-25S-G38-5      |
| 6   | 8026265  |   |  | VABM-B10-25S-G38-6      |
| 7   | 8026266  |   |  | VABM-B10-25S-G38-7      |
| 8   | 8026267  |   |  | VABM-B10-25S-G38-8      |
| 9   | 8026268  |   |  | VABM-B10-25S-G38-9      |
| 10  | 8026269  |   |  | VABM-B10-25S-G38-10     |

Ordering data – Manifold block, size 25

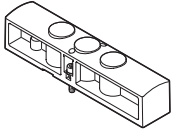
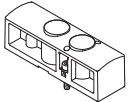

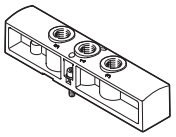
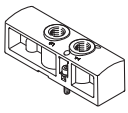

| Ordering data  | Description   | Valve positions  | Part no.  | Type                    |
|--|---|--|---|-------------------------|
| <b>Common supply manifold</b>  |   |  |   |                         |
|  | For mounting on both sides, incl. seals and screws for valve assembly | 2  | 8026219   | VABM-B10-25-G12-2-P53   |
|  |   | 3  | 8026220   | VABM-B10-25-G12-3-P53   |
|  |   | 4  | 8026221   | VABM-B10-25-G12-4-P53   |
|  |   | 5  | 8026222   | VABM-B10-25-G12-5-P53   |
|  |   | 6  | 8026223   | VABM-B10-25-G12-6-P53   |
|  |   | 7  | 8026224   | VABM-B10-25-G12-7-P53   |
|  |   | 8  | 8026225   | VABM-B10-25-G12-8-P53   |
|  |   | 9  | 8026226   | VABM-B10-25-G12-9-P53   |
|  |   | 10   | 8026227   | VABM-B10-25-G12-10-P53  |
|  |   |  | For mounting on one side, incl. seals and screws for valve mounting | 2                       |
| 3  | 8026238   |  |   | VABM-B10-25-G12-3-P53-E |
| 4  | 8026239   |  |   | VABM-B10-25-G12-4-P53-E |



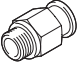


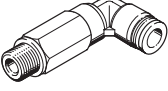
**Note**

Blanking plug for sealing the supply port (1) at one end included in the scope of delivery.

## Accessories – Manifold block, size 25

| Ordering data   | Description   | Weight [g] | Part no.       | Type                           |
|---|---|------------|----------------|--------------------------------|
| <b>Blanking plate</b>   |   |            |                |                                |
|    | For valve position on manifold block for 5/2-, 5/3-way valves | 117        | <b>8026209</b> | <b>VABB-B10-25-E</b>           |
|    | For valve position on manifold block for 3/2-way valves       | 84         | <b>8026210</b> | <b>VABB-B10-25-E-P3</b>        |
|    | For valve position on common supply manifold                  | 28         | <b>8026208</b> | <b>VABB-B10-25-A</b>           |
| <b>Supply plate</b>   |   |            |                |                                |
|    | For valve position on manifold block for 5/2-, 5/3-way valves | 110        | <b>8026318</b> | <b>VABF-B10-25-P1A4-G14</b>    |
|   | For valve position on manifold block for 3/2-way valves       | 80         | <b>8026319</b> | <b>VABF-B10-25-P1A4-G14-P3</b> |
|  | For valve position on common supply manifold                  | 26         | <b>8026317</b> | <b>VABF-B10-25-P1-G14</b>      |

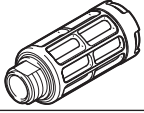
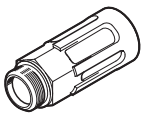

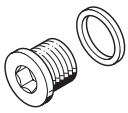
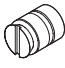
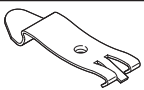
## Accessories – Manifold block, size 25

| Ordering data  |  | Description | Part no.       | Type            | PU <sup>1)</sup> |
|--|--|-------------|----------------|-----------------|------------------|
| <b>Push-in fitting with external hex</b>   |  |             |                |                 |                  |
|    | Connecting thread G3/8 for tubing O.D. | 16 mm       | 186347         | QS-G3/8-16      | 1                |
|  | Connecting thread G1/2 for tubing O.D. | 16 mm       | 186105         | QS-G1/2-16      | 1                |
|  |  |             | 132047         | QS-G1/2-16-20   | 20               |
| <b>Push-in fitting with internal hex</b>   |  |             |                |                 |                  |
|    | Connecting thread M5 for tubing O.D.   | 4 mm        | 153315         | QSM-M5-4-I      | 10               |
|  | Connecting thread G1/8 for tubing O.D. | 6 mm        | 186107         | QS-G1/8-6-I     | 10               |
|  |  |             | 133009         | QS-G1/8-6-I-100 | 100              |
|  |  |             | 186108         | QS-G1/4-6-I     | 10               |
|  | Connecting thread G1/4 for tubing O.D. | 6 mm        | 186110         | QS-G1/4-8-I     | 10               |
|  |  |             | 186112         | QS-G1/4-10-I    | 10               |
|  |  |             | 186111         | QS-G3/8-8-I     | 10               |
|  | Connecting thread G3/8 for tubing O.D. | 8 mm        | 186113         | QS-G3/8-10-I    | 10               |
|  |  |             | 186114         | QS-G3/8-12-I    | 10               |
| 186115   |  |             | QS-G1/2-12-I   | 1               |                  |
| Connecting thread G1/2 for tubing O.D.   | 12 mm                                  |             |                |                 |                  |
| <b>Angled push-in fitting with external hex</b>                                    |  |             |                |                 |                  |
|    | Connecting thread G1/4 for tubing O.D. | 6 mm        | 186118         | QSL-G1/4-6      | 10               |
|  |  |             | 132051         | QSL-G1/4-6-100  | 100              |
|  |  | 8 mm        | 186120         | QSL-G1/4-8      | 10               |
|  |  |             | 132052         | QSL-G1/4-8-50   | 50               |
|  |  | 10 mm       | 186122         | QSL-G1/4-10     | 10               |
|  |  |             | 132053         | QSL-G1/4-10-50  | 50               |
|  | Connecting thread G3/8 for tubing O.D. | 8 mm        | 186121         | QSL-G3/8-8      | 10               |
|  |  |             | 132055         | QSL-G3/8-8-50   | 50               |
|  |  | 10 mm       | 186123         | QSL-G3/8-10     | 10               |
|  |  |             | 132056         | QSL-G3/8-10-20  | 20               |
|  |  | 12 mm       | 186124         | QSL-G3/8-12     | 10               |
|  |  |             | 132057         | QSL-G3/8-12-20  | 20               |
|  | Connecting thread G1/2 for tubing O.D. | 12 mm       | 186125         | QSL-G1/2-12     | 1                |
|  |  |             | 132058         | QSL-G1/2-12-20  | 20               |
|  |  | 16 mm       | 186126         | QSL-G1/2-16     | 1                |
|  |  | 132059      | QSL-G1/2-16-20 | 20              |                  |
| <b>Angled push-in fitting, long, with external hex</b>                             |  |             |                |                 |                  |
|  | Connecting thread G1/4 for tubing O.D. | 6 mm        | 186129         | QSL-G1/4-6      | 10               |
|  |  | 8 mm        | 186131         | QSL-G1/4-8      | 10               |
|  |  | 10 mm       | 186133         | QSL-G1/4-10     | 10               |

1) Packaging unit




## Accessories – Manifold block, size 25

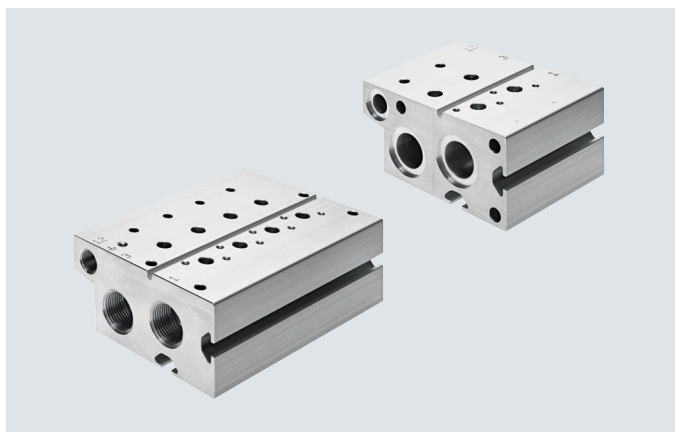
| Ordering data   |   | Description | Part no. | Type          | PU <sup>1)</sup> |
|---|---|-------------|----------|---------------|------------------|
| <b>Silencer</b>   |   |             |          |               |                  |
|    | With connecting thread G, polymer design  | G1/4        | 2316     | U-1/4         | 1                |
|   |   |             | 534223   | U-1/4-20      | 20               |
|   |   | G3/8        | 534224   | U-3/8-20      | 20               |
|    | With connecting thread G, metal design  | G1/4        | 6842     | U-1/4-B       | 1                |
|   |   | G3/8        | 6843     | U-3/8-B       | 1                |
|   |   | G1/2        | 6844     | U-1/2-B       | 1                |
|    | With connecting thread G, sintered design, long                                 | G3/8        | 1205862  | AMTE-M-LH-G38 | 10               |
|   |   | G1/2        | 1205863  | AMTE-M-LH-G12 | 10               |
| <b>Blanking plug</b>  |   |             |          |               |                  |
|    | With connecting thread G  | G1/8        | 3568     | B-1/8         | 10               |
|   |   |             | 534213   | B-1/8-100     | 100              |
|   |   | G3/8        | 3570     | B-3/8         | 10               |
|   |   |             | 534215   | B-3/8-20      | 20               |
|   |   | G1/2        | 3571     | B-1/2         | 10               |
|   |   |             | 534216   | B-1/2-20      | 20               |
| <b>Separator</b>  |   |             |          |               |                  |
|   | For creating pressure zones   | G1/8        | 569995   | VABD-8-B      | 1                |
|   |   | G3/8        | 574483   | VABD-14-B     | 1                |
|   |   | G1/2        | 8022483  | VABD-17.5-B   | 1                |
| <b>H-rail mounting</b>  |   |             |          |               |                  |
|  | For size 25, for mounting on standard H-rails TH 35-7.5 or TH 35-15 to EN 60715 |             | 2636436  | VAME-T-M5     | 2                |

1) Packaging unit

## Data sheet – Manifold block, size 30

-  - Flow rate  
up to 2300 l/min

-  - Valve width  
31 mm



### General technical data

|                                   | Manifold block standard |          | Extension module for standard manifold block |          | Manifold block compact |          | Common supply manifold |             |
|-----------------------------------|-------------------------|----------|--|----------|------------------------|----------|------------------------|-------------|
|                                   | 3/2                     | 5/2, 5/3 | 3/2  | 5/2, 5/3 | 3/2                    | 5/2, 5/3 | On both sides          | On one side |
| For valves                        | 3/2                     | 5/2, 5/3 | 3/2  | 5/2, 5/3 | 3/2                    | 5/2, 5/3 | 3/2, 5/2, 5/3          |             |
| Grid dimension [mm]               | 32                      |          |  |          |                        |          |                        |             |
| Type of mounting                  | Via through-hole        |          |  |          |                        |          | Via mounting bracket   |             |
| Maximum number of valve positions | 10                      | 10       | 2  | 2        | 10                     | 10       | 10                     | 4           |
| Port 1                            | G3/4                    | G3/4     | G3/4   | G3/4     | G1/2                   | G1/2     | G3/4                   | G3/4        |
| Port 3                            | G3/4                    | G3/4     | G3/4   | G3/4     | G1/2                   | G1/2     | -                      | -           |
| Port 5                            | -                       | G3/4     | -  | G3/4     | -                      | G1/2     | -                      | -           |
| Port 12                           | G1/8                    | G1/8     | G1/8   | G1/8     | -                      | -        | -                      | -           |
| Port 14                           | -                       | G1/8     | -  | G1/8     | -                      | -        | -                      | -           |
| CRC <sup>1)</sup>                 | 2 <sup>1)</sup>         |          |  |          |                        |          |                        |             |

1) More information: [www.festo.com/x/topic/kbk](http://www.festo.com/x/topic/kbk)

### Weight [g]

| Valve positions   | 2    | 3    | 4    | 5    | 6    | 7    | 8    | 9    | 10   |
|---|------|------|------|------|------|------|------|------|------|
| <b>Manifold block for 3/2-way valves, standard</b>                            |      |      |      |      |      |      |      |      |      |
| VABM-B10-30E-G34-...-P3   | 1411 | 1828 | 2245 | 2662 | 3079 | 3496 | 3913 | 4330 | 4747 |
| <b>Manifold block, extension module for 3/2-way valves, standard</b>          |      |      |      |      |      |      |      |      |      |
| VABM-B10-30EEE-G34-2-P3   | 1111 | -    | -    | -    | -    | -    | -    | -    | -    |
| <b>Manifold block for 5/2- and 5/3-way valves, standard</b>                   |      |      |      |      |      |      |      |      |      |
| VABM-B10-30E-G34-...  | 1722 | 2213 | 2703 | 3194 | 3684 | 4175 | 4665 | 5156 | 5646 |
| <b>Manifold block, extension module for 5/2- and 5/3-way valves, standard</b> |      |      |      |      |      |      |      |      |      |
| VABM-B10-30EEE-G34-2  | 1318 | -    | -    | -    | -    | -    | -    | -    | -    |
| <b>Manifold block for 3/2-way valves, compact</b>                             |      |      |      |      |      |      |      |      |      |
| VABM-B10-30S-G12-...-P3   | 652  | 872  | 1093 | 1313 | 1533 | 1753 | 1973 | 2193 | 2413 |
| <b>Manifold block for 5/2- and 5/3-way valves, compact</b>                    |      |      |      |      |      |      |      |      |      |
| VABM-B10-30S-G12-...  | 759  | 1013 | 1267 | 1522 | 1776 | 2030 | 2285 | 2539 | 2793 |
| <b>Common supply manifold for mounting on both sides</b>                      |      |      |      |      |      |      |      |      |      |
| VABM-B10-30-G34-...-P53   | 818  | 977  | 1135 | 1293 | 1452 | 1610 | 1768 | 1927 | 2085 |
| <b>Common supply manifold for mounting on one side</b>                        |      |      |      |      |      |      |      |      |      |
| VABM-B10-30-G34-...-P53-E   | 852  | 1011 | 1169 | -    | -    | -    | -    | -    | -    |

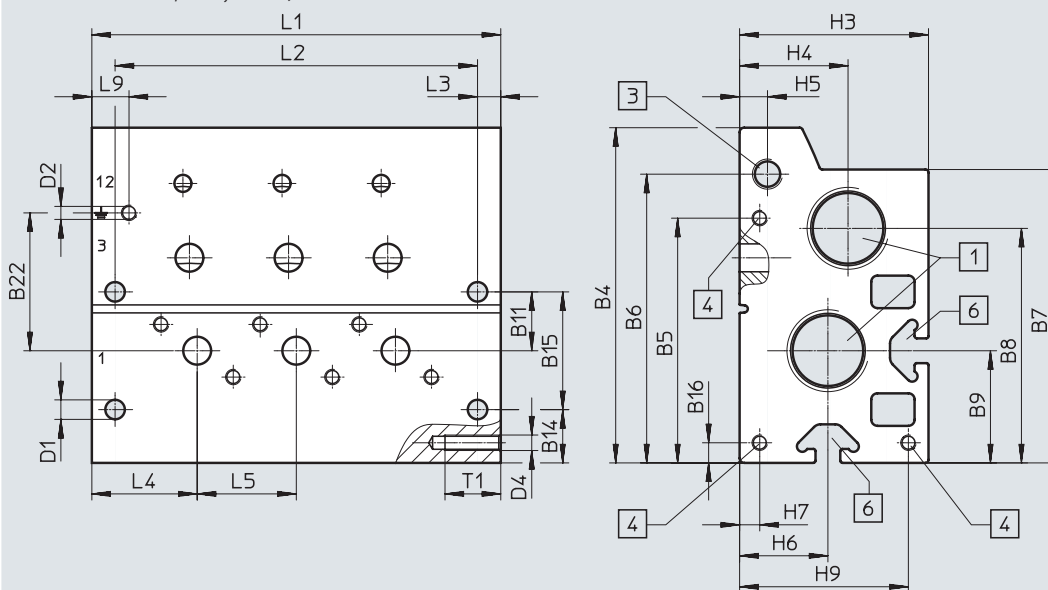
### Information on materials

|                          |                         |
|--------------------------|-------------------------|
| Information on materials | Wrought aluminium alloy |
| Note on materials        | RoHS-compliant          |

## Data sheet – Manifold block, size 30

### Dimensions

Manifold block for 3/2-way valves, standard



[1] Ports 1 and 3 (at both ends):  
G3/4

[3] Port 12 (at both ends): G1/8

[4] Thread M5x18 for extension  
module

[6] Profile slot IPM-08, system 8

| Type                     | B4    | B5 | B6   | B7   | B8   | B9   | B11 | B14  | B15 | B16 | B22  |
|--------------------------|-------|----|------|------|------|------|-----|------|-----|-----|------|
| VABM-B10-30-E-G34-...-P3 | 108.2 | 79 | 93.2 | 94.7 | 75.7 | 36.2 | 19  | 17.2 | 38  | 6.5 | 44.5 |

| Type                     | D1 $\varnothing$ | D2    | D4 | H3 | H4 | H5 | H6   | H7  | H9   | L3  | L4 | L5 | L9 | T1 |
|--------------------------|------------------|-------|----|----|----|----|------|-----|------|-----|----|----|----|----|
| VABM-B10-30-E-G34-...-P3 | 6.3              | M5x11 | M5 | 61 | 35 | 9  | 28.5 | 6.5 | 54.5 | 7.5 | 34 | 32 | 12 | 18 |

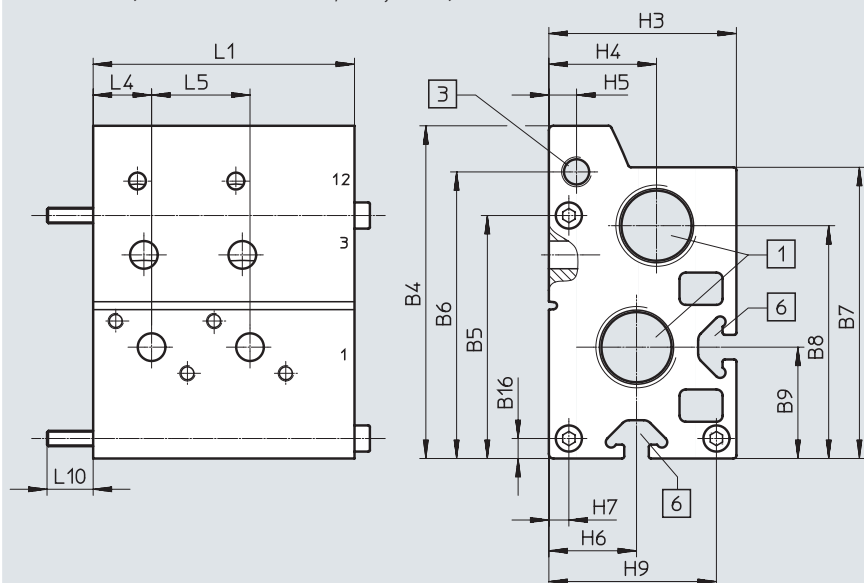
  

| Valve positions | 2   | 3   | 4   | 5   | 6   | 7   | 8   | 9   | 10  |
|-----------------|-----|-----|-----|-----|-----|-----|-----|-----|-----|
| L1 [mm]         | 100 | 132 | 164 | 196 | 228 | 260 | 292 | 324 | 356 |
| L2 [mm]         | 85  | 117 | 149 | 181 | 213 | 245 | 277 | 309 | 341 |

## Data sheet – Manifold block, size 30

### Dimensions

Manifold block, extension module for 3/2-way valves, standard



[1] Ports 1 and 3; threaded connection G3/4 at one end

[3] Threaded connection at port 12: G1/8 at one end

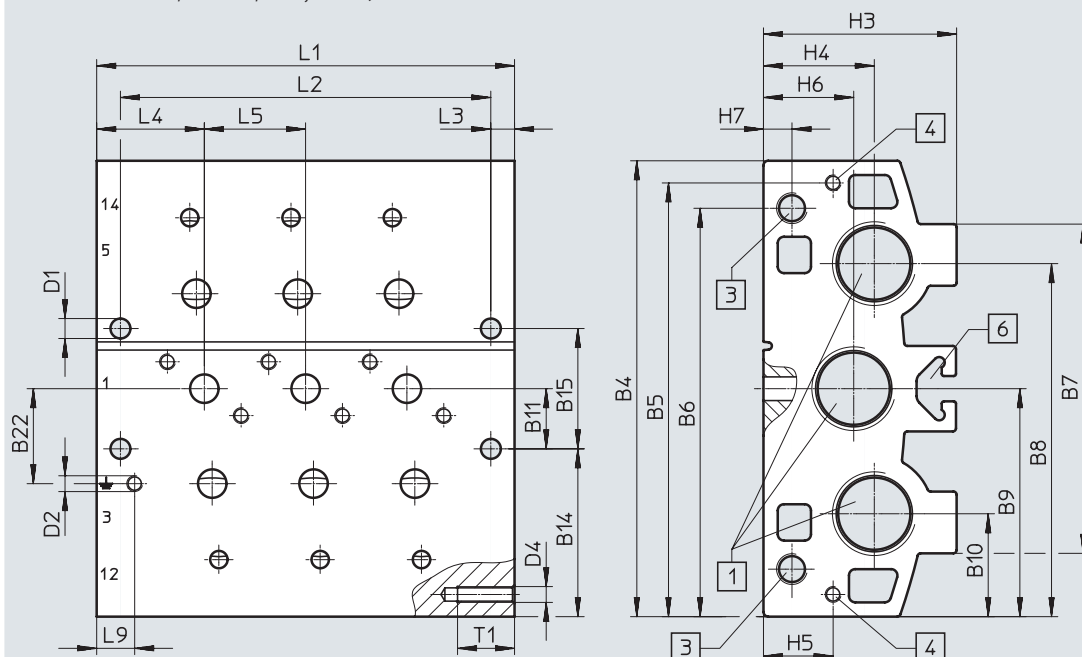
[6] Profile slot IPM-08, system 8

| Type                    | B4    | B5 | B6   | B7   | B8   | B9   | B16 | H3 | H4 | H5 | H6   | H7  | H9   | L4 | L5 | L10 |
|-------------------------|-------|----|------|------|------|------|-----|----|----|----|------|-----|------|----|----|-----|
| VABM-B10-30EEE-G34-2-P3 | 108.2 | 79 | 93.2 | 94.7 | 75.7 | 36.2 | 6.5 | 61 | 35 | 9  | 28.5 | 6.5 | 54.5 | 19 | 32 | 15  |
| Valve positions         | 2     |    |      |      |      |      |     |    |    |    |      |     |      |    |    |     |
| L1 [mm]                 | 85    |    |      |      |      |      |     |    |    |    |      |     |      |    |    |     |

## Data sheet – Manifold block, size 30

### Dimensions

Manifold block for 5/2- and 5/3-way valves, standard



[1] Ports 1, 3 and 5 (at both ends):  
G3/4

[3] Ports 12 and 14 (at both ends):  
G1/8

[4] Thread M5x18 for extension  
module

[6] Profile slot IPM-08, system 8

| Type                 | B4  | B5  | B6  | B7  | B8    | B9 | B10  | B11 | B14 | B15 | B22 |
|----------------------|-----|-----|-----|-----|-------|----|------|-----|-----|-----|-----|
| VABM-B10-30E-G34-... | 144 | 137 | 129 | 104 | 111.5 | 72 | 32.5 | 19  | 53  | 38  | 30  |

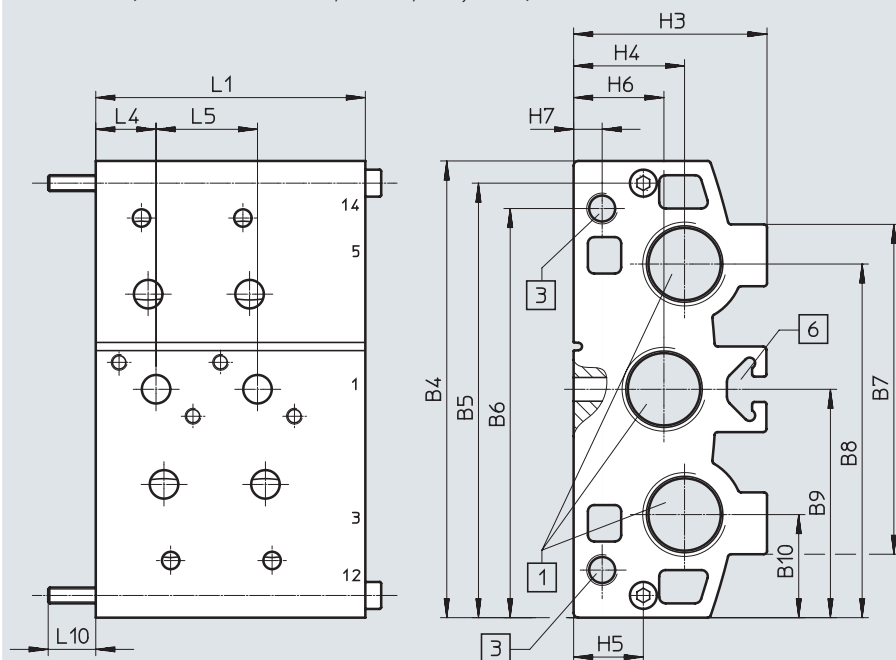
| Type                 | D1 ø | D2    | D4 | H3 | H4 | H5 | H6   | H7 | L3  | L4 | L5 | L9 | T1 |
|----------------------|------|-------|----|----|----|----|------|----|-----|----|----|----|----|
| VABM-B10-30E-G34-... | 6.3  | M5*11 | M5 | 61 | 35 | 22 | 28.5 | 9  | 7.5 | 34 | 32 | 12 | 18 |

| Valve positions | 2   | 3   | 4   | 5   | 6   | 7   | 8   | 9   | 10  |
|-----------------|-----|-----|-----|-----|-----|-----|-----|-----|-----|
| L1 [mm]         | 100 | 132 | 164 | 196 | 228 | 260 | 292 | 324 | 356 |
| L2 [mm]         | 85  | 117 | 149 | 181 | 213 | 245 | 277 | 309 | 341 |

## Data sheet – Manifold block, size 30

### Dimensions

Manifold block, extension module for 5/2- and 5/3-way valves, standard



[1] Ports 1, 3 and 5; threaded connection G3/4 at one end

[3] Threaded connection at ports 12 and 14: G1/8 at one end

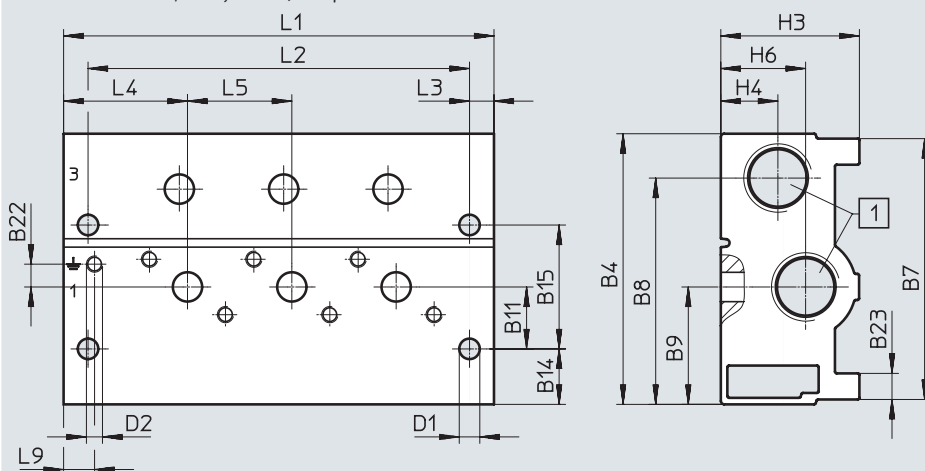
[6] Profile slot IPM-08, system 8

| Type                 | B4  | B5  | B6  | B7  | B8    | B9 | B10  | H3 | H4 | H5 | H6   | H7 | L4 | L5 | L10 |
|----------------------|-----|-----|-----|-----|-------|----|------|----|----|----|------|----|----|----|-----|
| VABM-B10-30EEE-G34-2 | 144 | 137 | 129 | 104 | 111.5 | 72 | 32.5 | 61 | 35 | 22 | 28.5 | 9  | 19 | 32 | 15  |
| Valve positions      | 2   |     |     |     |       |    |      |    |    |    |      |    |    |    |     |
| L1 [mm]              | 85  |     |     |     |       |    |      |    |    |    |      |    |    |    |     |

## Data sheet – Manifold block, size 30

### Dimensions

Manifold block for 3/2-way valves, compact



[1] Ports 1 and 3 (at both ends):  
G1/2

| Type                    | B4 | B7 | B8   | B9 | B11 | B14 | B15 | B22 | B23 |
|-------------------------|----|----|------|----|-----|-----|-----|-----|-----|
| VABM-B10-30S-G12-...-P3 | 83 | 80 | 69.4 | 36 | 19  | 17  | 38  | 7   | 8   |

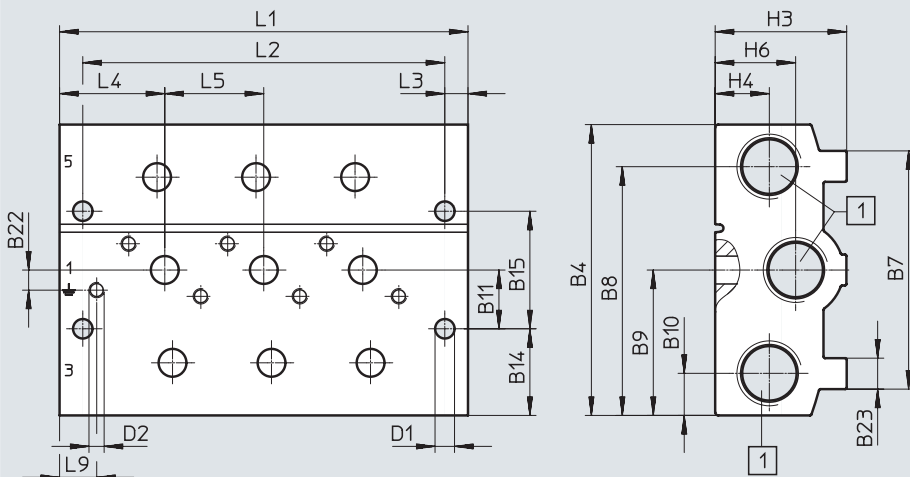
| Type                    | D1 ø | D2    | H3   | H4   | H6 | L3  | L4 | L5 | L9 |
|-------------------------|------|-------|------|------|----|-----|----|----|----|
| VABM-B10-30S-G12-...-P3 | 6.3  | M5x11 | 42.5 | 17.5 | 26 | 7.5 | 38 | 32 | 12 |

| Valve positions | 2   | 3   | 4   | 5   | 6   | 7   | 8   | 9   | 10  |
|-----------------|-----|-----|-----|-----|-----|-----|-----|-----|-----|
| L1 [mm]         | 100 | 132 | 164 | 196 | 228 | 260 | 292 | 324 | 356 |
| L2 [mm]         | 85  | 117 | 149 | 181 | 213 | 245 | 277 | 309 | 341 |

Data sheet – Manifold block, size 30

**Dimensions**

Manifold block for 5/2- and 5/3-way valves, compact



[1] Ports 1, 3 and 5 (at both ends):  
G1/2

| Type                 | B4 | B7 | B8   | B9 | B10  | B11 | B14 | B15 | B22 | B23 |
|----------------------|----|----|------|----|------|-----|-----|-----|-----|-----|
| VABM-B10-30S-G12-... | 94 | 77 | 80.4 | 47 | 13.6 | 19  | 28  | 38  | 6.5 | 10  |

| Type                 | D1 ø | D2    | H3   | H4   | H6 | L3  | L4 | L5 | L9 |
|----------------------|------|-------|------|------|----|-----|----|----|----|
| VABM-B10-30S-G12-... | 6.3  | M5x11 | 42.5 | 17.5 | 26 | 7.5 | 34 | 32 | 12 |

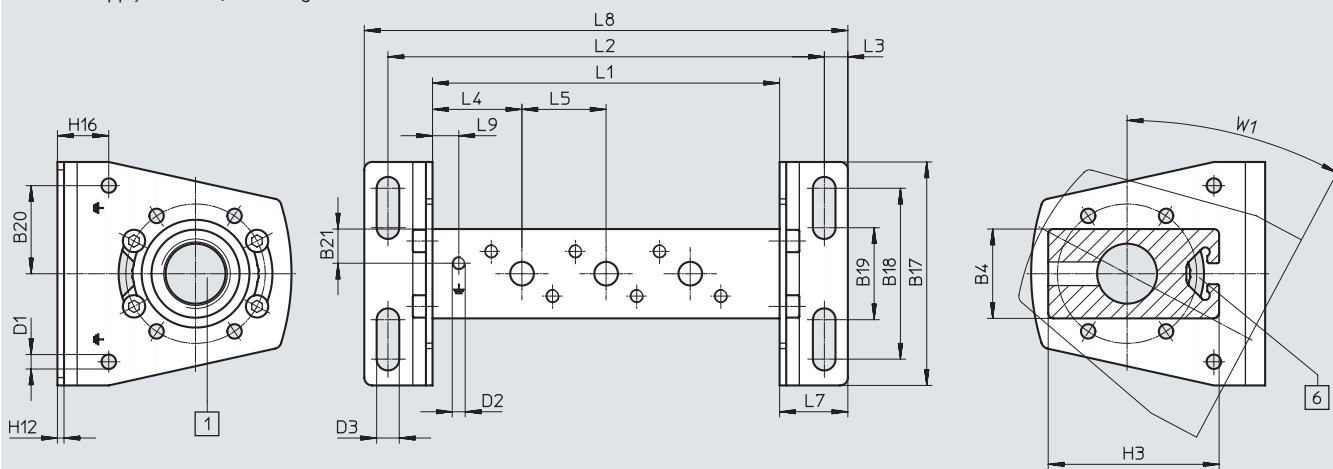
| Valve positions | 2   | 3   | 4   | 5   | 6   | 7   | 8   | 9   | 10  |
|-----------------|-----|-----|-----|-----|-----|-----|-----|-----|-----|
| L1 [mm]         | 100 | 132 | 164 | 196 | 228 | 260 | 292 | 324 | 356 |
| L2 [mm]         | 85  | 117 | 149 | 181 | 213 | 245 | 277 | 309 | 341 |



## Data sheet – Manifold block, size 30

### Dimensions

Common supply manifold, mounting on both sides



[1] Port 1 (at both ends): G3/4

[6] Profile slot IPM-08, system 8



**Note**

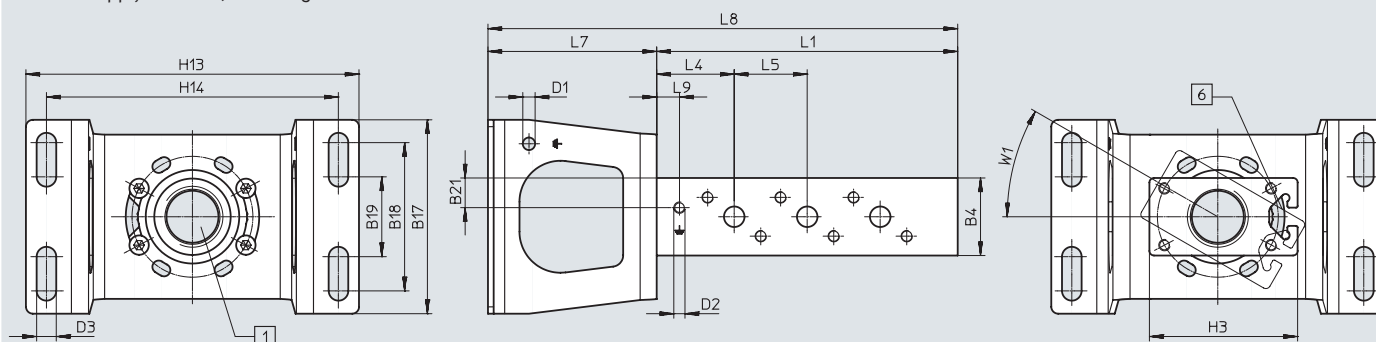
Mounting bracket can be adjusted through  $\pm 30^\circ$

| Type                    | B4 | B17 | B18 | B19 | B20  | B21 | D1 $\varnothing$ | D2    | D3 $\varnothing$ | H3 | H12 | H16  | L3 | L4 | L5 | L7 | L9 | W1  |
|-------------------------|----|-----|-----|-----|------|-----|------------------|-------|------------------|----|-----|------|----|----|----|----|----|-----|
| VABM-B10-30-G34-...-P53 | 34 | 85  | 65  | 35  | 33.5 | 13  | 5.5              | M5x11 | 8.6              | 65 | 2.5 | 19.5 | 9  | 34 | 32 | 26 | 10 | 28° |

| Valve positions | 2   | 3   | 4   | 5   | 6   | 7   | 8   | 9   | 10  |
|-----------------|-----|-----|-----|-----|-----|-----|-----|-----|-----|
| L1 [mm]         | 100 | 132 | 164 | 196 | 228 | 260 | 292 | 324 | 356 |
| L2 [mm]         | 134 | 166 | 198 | 230 | 262 | 294 | 326 | 358 | 390 |
| L8 [mm]         | 152 | 184 | 216 | 248 | 280 | 312 | 344 | 376 | 408 |

### Dimensions

Common supply manifold, mounting on one side



[1] Port 1 (at both ends): G3/4

[6] Profile slot IPM-08, system 8



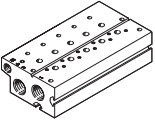

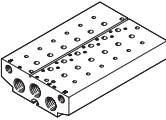

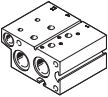
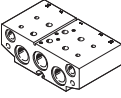
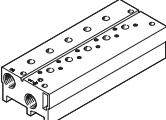

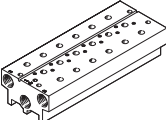

**Note**

Mounting bracket can be adjusted through  $\pm 30^\circ$

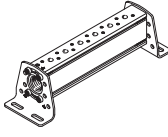
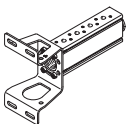
| Type                      | B4 | B17 | B18 | B19 | B21 | D1 $\varnothing$ | D2    | D3 $\varnothing$ | H3 | H13 | H14 | L4 | L5 | L7 | L9 | W1  |
|---------------------------|----|-----|-----|-----|-----|------------------|-------|------------------|----|-----|-----|----|----|----|----|-----|
| VABM-B10-30-G34-...-P53-E | 34 | 85  | 65  | 35  | 13  | 5.5              | M5x11 | 8.6              | 65 | 146 | 128 | 34 | 32 | 74 | 10 | 30° |

| Valve positions | 2   | 3   | 4   |
|-----------------|-----|-----|-----|
| L1 [mm]         | 100 | 132 | 164 |
| L8 [mm]         | 168 | 200 | 232 |

Ordering data – Manifold block, size 30

| Ordering data  | Description  | Valve positions  | Part no.   | Type                    |
|--|--|--|--|-------------------------|
| <b>Standard manifold block</b>   |  |  |  |                         |
|    | For 3/2-way valves, incl. seals and screws for mounting valves<br><br>-  - <b>Note</b><br>Blanking plugs for sealing the supply ports (1, 3 and 14) at one end are included in the scope of delivery. | 2  | 8026395  | VABM-B10-30E-G34-2-P3   |
|  |  | 3  | 8026396  | VABM-B10-30E-G34-3-P3   |
|  |  | 4  | 8026397  | VABM-B10-30E-G34-4-P3   |
|  |  | 5  | 8026398  | VABM-B10-30E-G34-5-P3   |
|  |  | 6  | 8026399  | VABM-B10-30E-G34-6-P3   |
|  |  | 7  | 8026400  | VABM-B10-30E-G34-7-P3   |
|  |  | 8  | 8026401  | VABM-B10-30E-G34-8-P3   |
|  |  | 9  | 8026402  | VABM-B10-30E-G34-9-P3   |
|  |  | 10   | 8026403  | VABM-B10-30E-G34-10-P3  |
|  |  |    | For 5/2 and 5/3-way valves, incl. seals and screws for valve assembly<br><br>-  - <b>Note</b><br>Blanking plugs for sealing the supply ports (1, 3, 5, 12 and 14) at one end are included in the scope of delivery. | 2                       |
| 3  | 8026360  |  |  | VABM-B10-30E-G34-3      |
| 4  | 8026361  |  |  | VABM-B10-30E-G34-4      |
| 5  | 8026362  |  |  | VABM-B10-30E-G34-5      |
| 6  | 8026363  |  |  | VABM-B10-30E-G34-6      |
| 7  | 8026364  |  |  | VABM-B10-30E-G34-7      |
| 8  | 8026365  |  |  | VABM-B10-30E-G34-8      |
| 9  | 8026366  |  |  | VABM-B10-30E-G34-9      |
| 10   | 8026367  |  |  | VABM-B10-30E-G34-10     |
| <b>Manifold block, extension module for standard manifold block</b>                |  |  |  |                         |
|   | For 3/2-way valves, incl. seals and screws for mounting valves   | 2  | 8026432  | VABM-B10-30EEE-G34-2-P3 |
|  | For 5/2 and 5/3-way valves, incl. seals and screws for valve assembly  | 2  | 8026431  | VABM-B10-30EEE-G34-2    |
| <b>Compact manifold block</b>  |  |  |  |                         |
|  | For 3/2-way valves, incl. seals and screws for mounting valves<br><br>-  - <b>Note</b><br>Blanking plugs for sealing the supply ports (1 and 3) at one end are included in the scope of delivery.   | 2  | 8026413  | VABM-B10-30S-G12-2-P3   |
|  |  | 3  | 8026414  | VABM-B10-30S-G12-3-P3   |
|  |  | 4  | 8026415  | VABM-B10-30S-G12-4-P3   |
|  |  | 5  | 8026416  | VABM-B10-30S-G12-5-P3   |
|  |  | 6  | 8026417  | VABM-B10-30S-G12-6-P3   |
|  |  | 7  | 8026418  | VABM-B10-30S-G12-7-P3   |
|  |  | 8  | 8026419  | VABM-B10-30S-G12-8-P3   |
|  |  | 9  | 8026420  | VABM-B10-30S-G12-9-P3   |
|  |  | 10   | 8026421  | VABM-B10-30S-G12-10-P3  |
|  |  |  | For 5/2 and 5/3-way valves, incl. seals and screws for valve assembly<br><br>-  - <b>Note</b><br>Blanking plugs for sealing the supply ports (1, 3 and 5) at one end are included in the scope of delivery.       | 2                       |
| 3  | 8026378  |  |  | VABM-B10-30S-G12-3      |
| 4  | 8026379  |  |  | VABM-B10-30S-G12-4      |
| 5  | 8026380  |  |  | VABM-B10-30S-G12-5      |
| 6  | 8026381  |  |  | VABM-B10-30S-G12-6      |
| 7  | 8026382  |  |  | VABM-B10-30S-G12-7      |
| 8  | 8026383  |  |  | VABM-B10-30S-G12-8      |
| 9  | 8026384  |  |  | VABM-B10-30S-G12-9      |
| 10   | 8026385  |  |  | VABM-B10-30S-G12-10     |

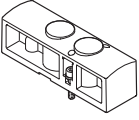
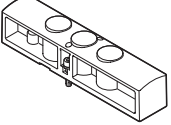

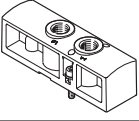
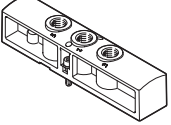

## Ordering data – Manifold block, size 30

| Ordering data   | Description   | Valve positions   | Part no.  | Type                    |
|---|---|---|---|-------------------------|
| <b>Common supply manifold</b>   |   |   |   |                         |
|  | For mounting on both sides, incl. seals and screws for valve mounting | 2   | 8026338   | VABM-B10-30-G34-2-P53   |
|   |   | 3   | 8026339   | VABM-B10-30-G34-3-P53   |
|   |   | 4   | 8026340   | VABM-B10-30-G34-4-P53   |
|   |   | 5   | 8026341   | VABM-B10-30-G34-5-P53   |
|   |   | 6   | 8026342   | VABM-B10-30-G34-6-P53   |
|   |   | 7   | 8026343   | VABM-B10-30-G34-7-P53   |
|   |   | 8   | 8026344   | VABM-B10-30-G34-8-P53   |
|   |   | 9   | 8026345   | VABM-B10-30-G34-9-P53   |
|   |   | 10  | 8026346   | VABM-B10-30-G34-10-P53  |
|   |   |  | For mounting on one side, incl. seals and screws for valve mounting | 2                       |
| 3   | 8026357   |   |   | VABM-B10-30-G34-3-P53-E |
| 4   | 8026358   |   |   | VABM-B10-30-G34-4-P53-E |


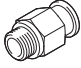

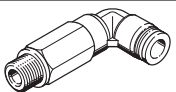

**Note**

Blanking plug for sealing the supply port (1) at one end included in the scope of delivery.

Accessories – Manifold block, size 30

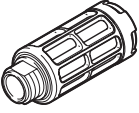
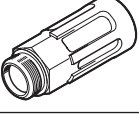

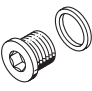

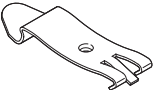
| Ordering data  | Description   | Weight [g] | Part no. | Type                    |
|--|---|------------|----------|-------------------------|
| <b>Blanking plate</b>  |   |            |          |                         |
|    | For valve position on manifold block for 3/2-way valves       | 128        | 8026336  | VABB-B10-30-E-P3        |
|    | For valve position on manifold block for 5/2-, 5/3-way valves | 179        | 8026335  | VABB-B10-30-E           |
|    | For valve position on common supply manifold                  | 43         | 8026334  | VABB-B10-30-A           |
| <b>Supply plate</b>  |   |            |          |                         |
|    | For valve position on manifold block for 3/2-way valves       | 121        | 8026435  | VABF-B10-30-P1A4-G38-P3 |
|   | For valve position on manifold block for 5/2-, 5/3-way valves | 167        | 8026434  | VABF-B10-30-P1A4-G38    |
|  | For valve position on common supply manifold                  | 40         | 8026433  | VABF-B10-30-P1-G38      |

## Accessories – Manifold block, size 30

| Ordering data   | Description  | Part no.                               | Type                  | PU <sup>1)</sup>       |                       |    |
|---|--|--|-----------------------|------------------------|-----------------------|----|
| <b>Push-in fitting with internal hex</b>  |  |  |                       |                        |                       |    |
|    | Connecting thread G1/8 for tubing O.D.                     | 4 mm                                   | <b>186106</b>         | <b>QS-G1/8-4-I</b>     | 10                    |    |
|   |  |  | <b>133008</b>         | <b>QS-G1/8-4-I-100</b> | 100                   |    |
|   |  | 6 mm                                   | <b>186107</b>         | <b>QS-G1/8-6-I</b>     | 10                    |    |
|   |  |  | <b>133009</b>         | <b>QS-G1/8-6-I-100</b> | 100                   |    |
|   | Connecting thread G3/8 for tubing O.D.                     | 8 mm                                   | <b>186111</b>         | <b>QS-G3/8-8-I</b>     | 10                    |    |
|   |  | 10 mm                                  | <b>186113</b>         | <b>QS-G3/8-10-I</b>    | 10                    |    |
|   |  | 12 mm                                  | <b>186114</b>         | <b>QS-G3/8-12-I</b>    | 10                    |    |
| Connecting thread G1/2 for tubing O.D.  | 12 mm  | <b>186115</b>                          | <b>QS-G1/2-12-I</b>   | 1                      |                       |    |
| <b>Push-in fitting with external hex</b>  |  |  |                       |                        |                       |    |
|    | Connecting thread G1/2 for tubing O.D.                     | 16 mm                                  | <b>186105</b>         | <b>QS-G1/2-16</b>      | 1                     |    |
|   |  |  | <b>132047</b>         | <b>QS-G1/2-16-20</b>   | 20                    |    |
| <b>Angled push-in fitting with external hex</b>                                     |  |  |                       |                        |                       |    |
|    | Connecting thread G3/8 for tubing O.D.                     | 8 mm                                   | <b>186121</b>         | <b>QSL-G3/8-8</b>      | 10                    |    |
|   |  |  | <b>132055</b>         | <b>QSL-G3/8-8-50</b>   | 50                    |    |
|   |  | 10 mm                                  | <b>186123</b>         | <b>QSL-G3/8-10</b>     | 10                    |    |
|   |  |  | <b>132056</b>         | <b>QSL-G3/8-10-20</b>  | 20                    |    |
|   |  | 12 mm                                  | <b>186124</b>         | <b>QSL-G3/8-12</b>     | 10                    |    |
|   |  |  | <b>132057</b>         | <b>QSL-G3/8-12-20</b>  | 20                    |    |
|   |  | Connecting thread G1/2 for tubing O.D. | 12 mm                 | <b>186125</b>          | <b>QSL-G1/2-12</b>    | 1  |
|   |  |  |                       | <b>132058</b>          | <b>QSL-G1/2-12-20</b> | 20 |
|   | 16 mm  | <b>186126</b>                          | <b>QSL-G1/2-16</b>    | 1                      |                       |    |
|   |  | <b>132059</b>                          | <b>QSL-G1/2-16-20</b> | 20                     |                       |    |
| <b>Angled push-in fitting, long, with external hex</b>                              |  |  |                       |                        |                       |    |
|  | Connecting thread G1/2 for tubing O.D.                     | 8 mm                                   | <b>186132</b>         | <b>QSL-G3/8-8</b>      | 10                    |    |
|   |  | 10 mm                                  | <b>186134</b>         | <b>QSL-G3/8-10</b>     | 10                    |    |
|   |  | 12 mm                                  | <b>186135</b>         | <b>QSL-G3/8-12</b>     | 10                    |    |
| <b>Barbed fitting with external hex</b>   |  |  |                       |                        |                       |    |
|  | Connecting thread G3/4 for tubing I.D.<br>Aluminium design | 13 mm                                  | <b>3612</b>           | <b>N-3/4-P-13</b>      | 1                     |    |
|   |  | 19 mm                                  | <b>3613</b>           | <b>N-3/4-P-19</b>      | 1                     |    |
|   | Connecting thread G3/4 for tubing I.D.<br>Brass design     | 13 mm                                  | <b>15637</b>          | <b>N-3/4-P-13-MS</b>   | 1                     |    |
|   |  | 19 mm                                  | <b>15638</b>          | <b>N-3/4-P-19-MS</b>   | 1                     |    |

1) Packaging unit

Accessories – Manifold block, size 30

| Ordering data  | Description   | Part no. | Type                  | PU <sup>1)</sup> |
|--|---|----------|-----------------------|------------------|
| <b>Silencer</b>  |   |          |                       |                  |
|    | With connecting thread G, polymer design  | G3/8     | 534224 U-3/8-20       | 20               |
|    | With connecting thread G, metal design  | G3/8     | 6843 U-3/8-B          | 1                |
|  |   | G1/2     | 6844 U-1/2-B          | 1                |
|  |   | G3/4     | 6845 U-3/4-B          | 1                |
|    | With connecting thread G, sintered design, long                                 | G1/2     | 1205863 AMTE-M-LH-G12 | 10               |
|  |   | G3/4     | 1205864 AMTE-M-LH-G34 | 10               |
| <b>Blanking plug</b>   |   |          |                       |                  |
|    | With connecting thread G  | G1/8     | 3568 B-1/8            | 10               |
|  |   |          | 534213 B-1/8-100      | 100              |
|  |   | G1/2     | 3571 B-1/2            | 10               |
|  |   |          | 534216 B-1/2-20       | 20               |
|  |   | G3/4     | 3572 B-3/4            | 1                |
| <b>Separator</b>   |   |          |                       |                  |
|    | For creating pressure zones   | G1/8     | 569995 VABD-8-B       | 1                |
|  |   | G1/2     | 8022483 VABD-17.5-B   | 1                |
|  |   | G3/4     | 8022484 VABD-22.7-B   | 1                |
| <b>H-rail mounting</b>   |   |          |                       |                  |
|  | For size 30, for mounting on standard H-rails TH 35-7.5 or TH 35-15 to EN 60715 | 3488412  | VAME-T-M6             | 2                |

1) Packaging unit