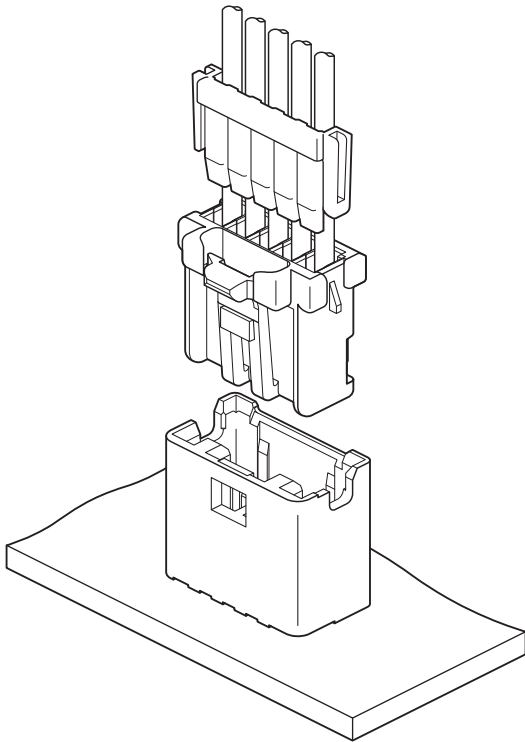


PNI CONNECTOR

2.0 mm pitch/Wire-to-board connector/Disconnectable Crimp style connectors



This is a 2.0 mm pitch wire-to-board connector with a mechanism to prevent incomplete mating.

- Inertia lock mechanism
- Finger-friendly design
- Secure lock mechanism

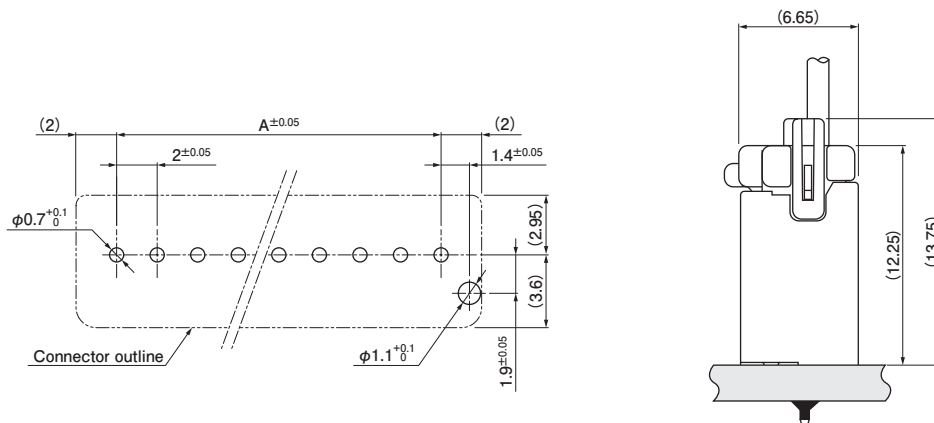
Standards

☑: Recognized E 60389

Specifications

- Current rating: 3 A AC/DC (AWG #22)
 - Voltage rating: 100 V AC/DC
 - Temperature range: -25°C to +85°C
(including temperature rise in applying electrical current)
 - Contact resistance:
 - Initial value/ 10 mΩ max.
 - After environmental tests/ 20 mΩ max.
 - Insulation resistance: 1,000 MΩ min.
 - Withstanding voltage:
 - There shall be no breakdown or flashover while applying 800 VAC for one minute.
 - Applicable wire range:
 - Conductor size/ AWG #28 to AWG #22
 - Insulation O.D. / ϕ 0.76 mm to ϕ 1.5 mm
 - Applicable PC board thickness: 1.6 mm
- * In using the products, refer to "Handling Precautions for Terminals and Connectors" described on our website (Technical documents of Product information page).
- * RoHS2 compliance
- * Dimensional unit: mm
- * Contact JST for details.

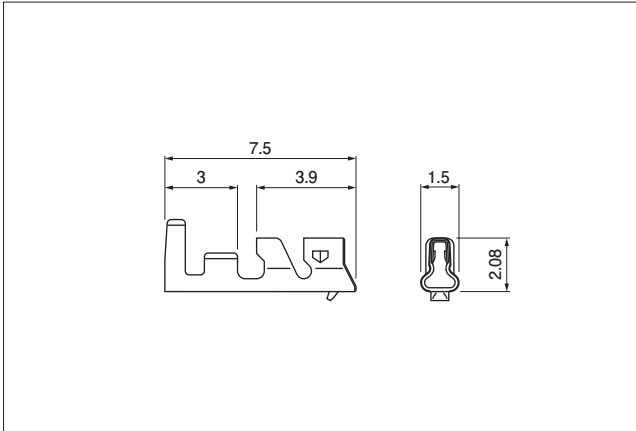
PC board layout and Assembly layout



- Note: 1. The figure of PC board layout is the figure viewed from the connector mounting side.
2. Dimension A: See "Header" section on page 3.
3. Tolerance for the PCB hole pitch shall be ± 0.05 , and shall not accumulate more than ± 0.05 .
4. Hole dimensions differ according to the type of PC board and piercing method.
- Please contact JST for details as the dimensions shown in the above figure are reference values.

PNI CONNECTOR

Contact



Model No.	Applicable wire range		Q'ty/ reel
	Conductor size AWG (mm ²)	Insulation O.D. (mm)	
SPND-002T-C0.5	#28 to #24 (0.08 to 0.22)	0.76 to 1.5	8,000
SPND-001T-C0.5	#26 to #22 (0.13 to 0.33)	1.0 to 1.5	8,000

Material and Finish

Copper alloy, tin-plated

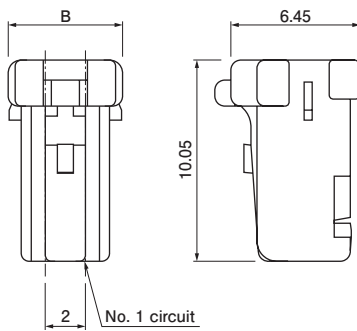
Crimping machine

Contact	Crimping machine	Applicator	Crimp applicator with dies
SPND-002T-C0.5	AP-K2N	MKS-L	APLMK SPAD/ND002-05
SPND-001T-C0.5			APLMK SPND001-05

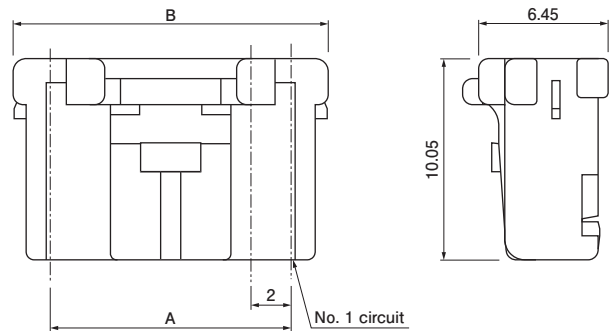
Note: Contact JST for fully automatic crimping applicator.

Socket housing

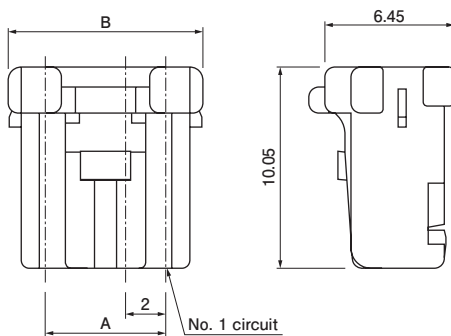
<2 circuits>



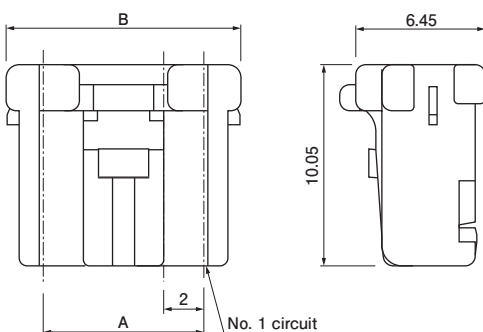
<6 to 10 circuits>



<3, 4 circuits>



<5 circuits>

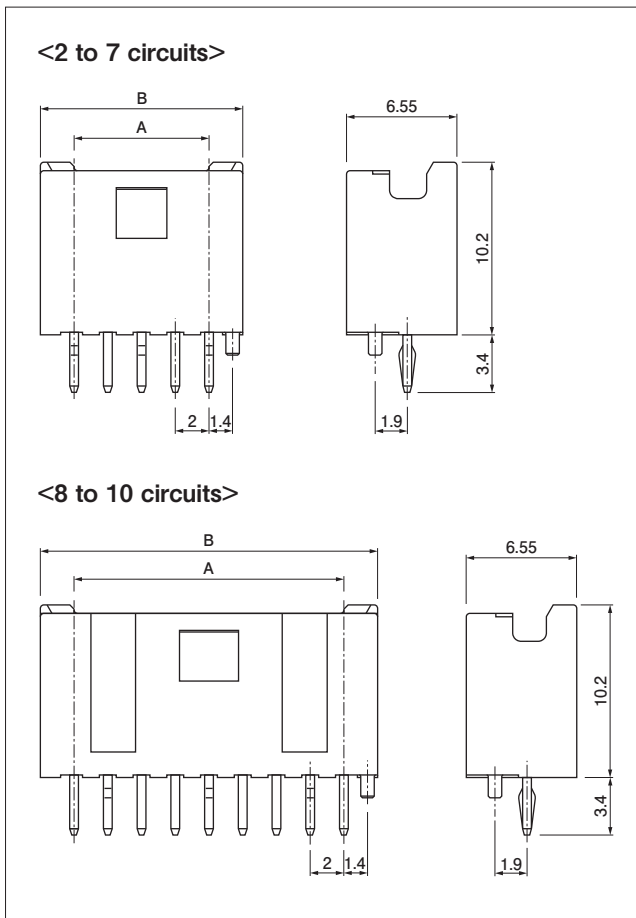


No. of circuits	Model No.	Dimensions (mm)		Q'ty/bag
		A	B	
2	PNIRP-02V-S	—	5.7	1,000
3	PNIRP-03V-S	4.0	7.7	1,000
4	PNIRP-04V-S	6.0	9.7	1,000
5	PNIRP-05V-S	8.0	11.7	1,000
6	PNIRP-06V-S	10.0	13.7	1,000
7	PNIRP-07V-S	12.0	15.7	1,000
8	PNIRP-08V-S	14.0	17.7	1,000
9	PNIRP-09V-S	16.0	19.7	1,000
10	PNIRP-10V-S	18.0	21.7	1,000

Material and Finish

PBT (Glass-filled), UL94V-0, natural (white)

Header



PBT (Glass-filled)

No. of circuits	Model No.	Dimensions (mm)		Q'ty/box
		A	B	
2	B02B-PNISK-1	2.0	6.0	1,000
3	B03B-PNISK-1	4.0	8.0	1,000
4	B04B-PNISK-1	6.0	10.0	500
5	B05B-PNISK-1	8.0	12.0	500

Material and Finish

Post: Copper alloy, copper-undercoated, tin-plated
Wafer: PBT (Glass-filled), UL94V-0, natural (white)

Note: This product displays (LF)(SN) on a label.

PA 66 (Glass-filled)

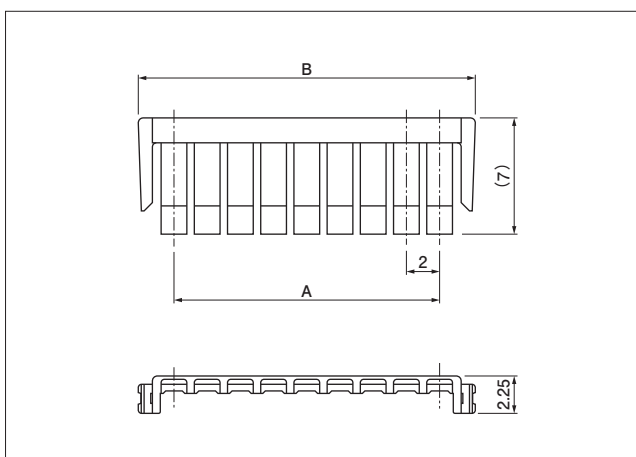
No. of circuits	Model No.	Dimensions (mm)		Q'ty/box
		A	B	
2	B02B-PNISK-1A	2.0	6.0	1,000
3	B03B-PNISK-1A	4.0	8.0	1,000
4	B04B-PNISK-1A	6.0	10.0	500
5	B05B-PNISK-1A	8.0	12.0	500
6	B06B-PNISK-1A	10.0	14.0	350
7	B07B-PNISK-1A	12.0	16.0	300
8	B08B-PNISK-1A	14.0	18.0	250
9	B09B-PNISK-1A	16.0	20.0	250
10	B10B-PNISK-1A	18.0	22.0	250

Material and Finish

Post: Copper alloy, copper-undercoated, tin-plated
Wafer: PA 66 (Glass-filled), UL94V-0, natural (white)

Note: This product displays (LF)(SN) on a label.

Retainer



No. of circuits	Model No.	Dimensions (mm)		Q'ty/bag
		A	B	
2	PNIS-02V	2.0	6.3	1,000
3	PNIS-03V	4.0	8.3	1,000
4	PNIS-04V	6.0	10.3	1,000
5	PNIS-05V	8.0	12.3	1,000
6	PNIS-06V	10.0	14.3	1,000
7	PNIS-07V	12.0	16.3	1,000
8	PNIS-08V	14.0	18.3	1,000
9	PNIS-09V	16.0	20.3	1,000
10	PNIS-10V	18.0	22.3	1,000

Material and Finish

PA 66 (Glass-filled), UL94V-0, natural (ivory)

Model number allocation

Contact

S PND - 002 T - C 0.5

Supply form: Strip form	S	PND	002	T	C	0.5
Series name						
Applicable wire range: 002...AWG #28 to AWG #24 001...AWG #26 to AWG #22						
Surface finish: Tin-plated						
Material: Copper alloy						
Applicable post size						

Socket housing

PNI RP - 02 V - S

Series name	PNI	RP	02	V	S
Type: Plug (retainer mountable type)					
No. of circuits					
Flammability: UL94V-0					
Color: S...Natural (White), M...Green, R...Red, E...Blue, H...Gray, LG...Light green, K...Black, Y...Yellow					

Header/ PBT (Glass-filled)

B 02 B - PNI S K - 1

Header type: Top entry type	B	02	B	PNI	S	K	1
No. of circuits							
Assembly product							
Series name							
Color: S...Natural (White), M...Green, R...Red, E...Blue, H...Gray, K...Black							
Post type: Clinched							
Boss: With boss							

Header/ PA 66 (Glass-filled)

B 02 B - PNI S K - 1 A

Header type: Top entry type	B	02	B	PNI	S	K	1	A
No. of circuits								
Assembly product								
Series name								
Color: S...Natural (White), M...Green, R...Red, E...Blue, H...Gray, LG...Light green, Y...Yellow								
Post type: Clinched								
Boss: With boss								
Material of wafer: PA 66 (Glass-filled)								

Retainer

PNI S - 02 V

Series name	PNI	S	02	V
Type: Retainer				
No. of circuits				
Flammability: UL94V-0				