

IFS-BT-PROG-ADAPTER - Adapter



2905872

<https://www.phoenixcontact.com/us/products/2905872>

Please be informed that the data shown in this PDF document is generated from our online catalog. Please find the complete data in the user documentation. Our general terms of use for downloads are valid.

Bluetooth adapter with micro USB and S-PORT interface for wireless communication with the MINI Analog, MINI Analog Pro, MACX Analog, Interface System Gateways, and PLC logic device series.



Product description

Bluetooth adapter with micro USB and S-PORT interface for wireless programming and/or monitoring. The adapter can be used for the following device series with programming interface: MINI Analog, MINI Analog Pro, MACX Analog, Interface System Gateways, PLC logic (monitoring only). The driver is included in the software solutions for the products to be programmed, such as measuring transducers.

Commercial data

Item number	2905872
Packing unit	1 pc
Minimum order quantity	1 pc
Sales key	C404
Product key	CK14ZZ
Catalog page	Page 111 (C-5-2019)
GTIN	4055626003917
Weight per piece (including packing)	44.4 g
Weight per piece (excluding packing)	34.8 g
Customs tariff number	84719000
Country of origin	DE

IFS-BT-PROG-ADAPTER - Adapter



2905872

<https://www.phoenixcontact.com/us/products/2905872>

Technical data

Product properties

Product type	Programming adapter
--------------	---------------------

Electrical properties

Supply

Supply voltage	3.3 V
----------------	-------

Connection data

Device side

Connection method	Micro USB type B
-------------------	------------------

Device side

Connection method	S-PORT
-------------------	--------

Adapter side

Connection method	Micro USB type B
-------------------	------------------

Adapter side

Connection method	S-PORT
-------------------	--------

Ex data

Safety data

Input voltage U_i	< 3.6 V
Input current I_i	< 400 mA
Input power P_i	< 600 mW
Max. internal inductance L_i	negligible
Max. internal capacitance C_i	11.5 nF

Dimensions

Width	38 mm
Height	30.6 mm
Depth	9.6 mm

Material specifications

Housing material	PA 646
------------------	--------

Environmental and real-life conditions

Ambient conditions

Ambient temperature (operation)	-25 °C ... 65 °C
Ambient temperature (storage/transport)	-25 °C ... 70 °C
Altitude	≤ 2000 m

IFS-BT-PROG-ADAPTER - Adapter



2905872

<https://www.phoenixcontact.com/us/products/2905872>

Max. permissible relative humidity (operation)	< 95 %
--	--------

Approvals

ATEX

Identification	II 3 G Ex ic IIC T4 Gc X
----------------	--------------------------

FCC

Certificate	YG3-IFSPROG
-------------	-------------

IC

Certificate	4720B-IFSPROG
-------------	---------------

MIC

Identification	Japan MIC (RF) ID:007-AB0221
----------------	------------------------------

DNV GL data

Temperature	B
Humidity	B
Vibration	A
EMC	A
Enclosure	Required protection according to the Rules shall be provided upon installation on board

IFS-BT-PROG-ADAPTER - Adapter

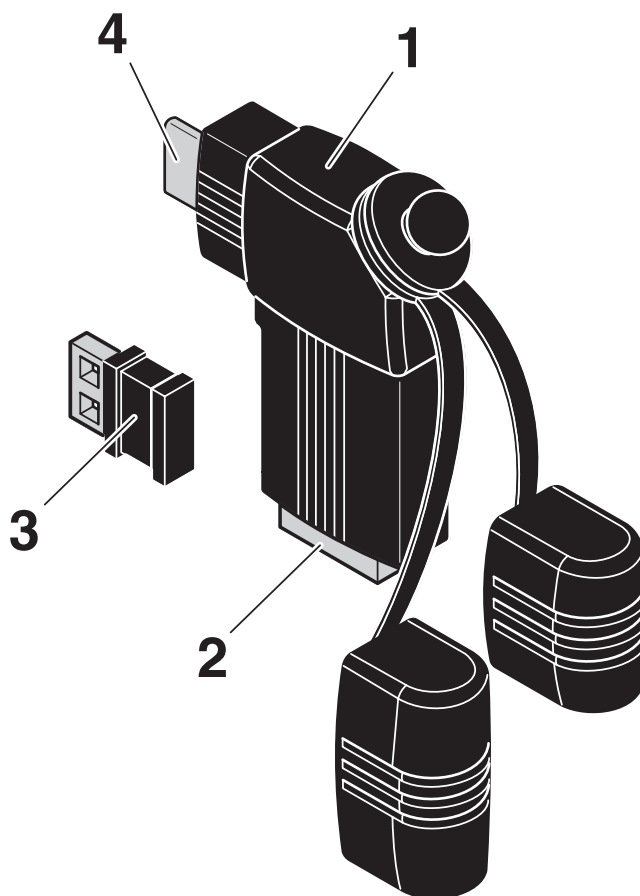
2905872

<https://www.phoenixcontact.com/us/products/2905872>



Drawings

Schematic diagram



- 1 Device adapter
- 2 S-PORT interface
- 3 PC adapter
- 4 μ USB interface

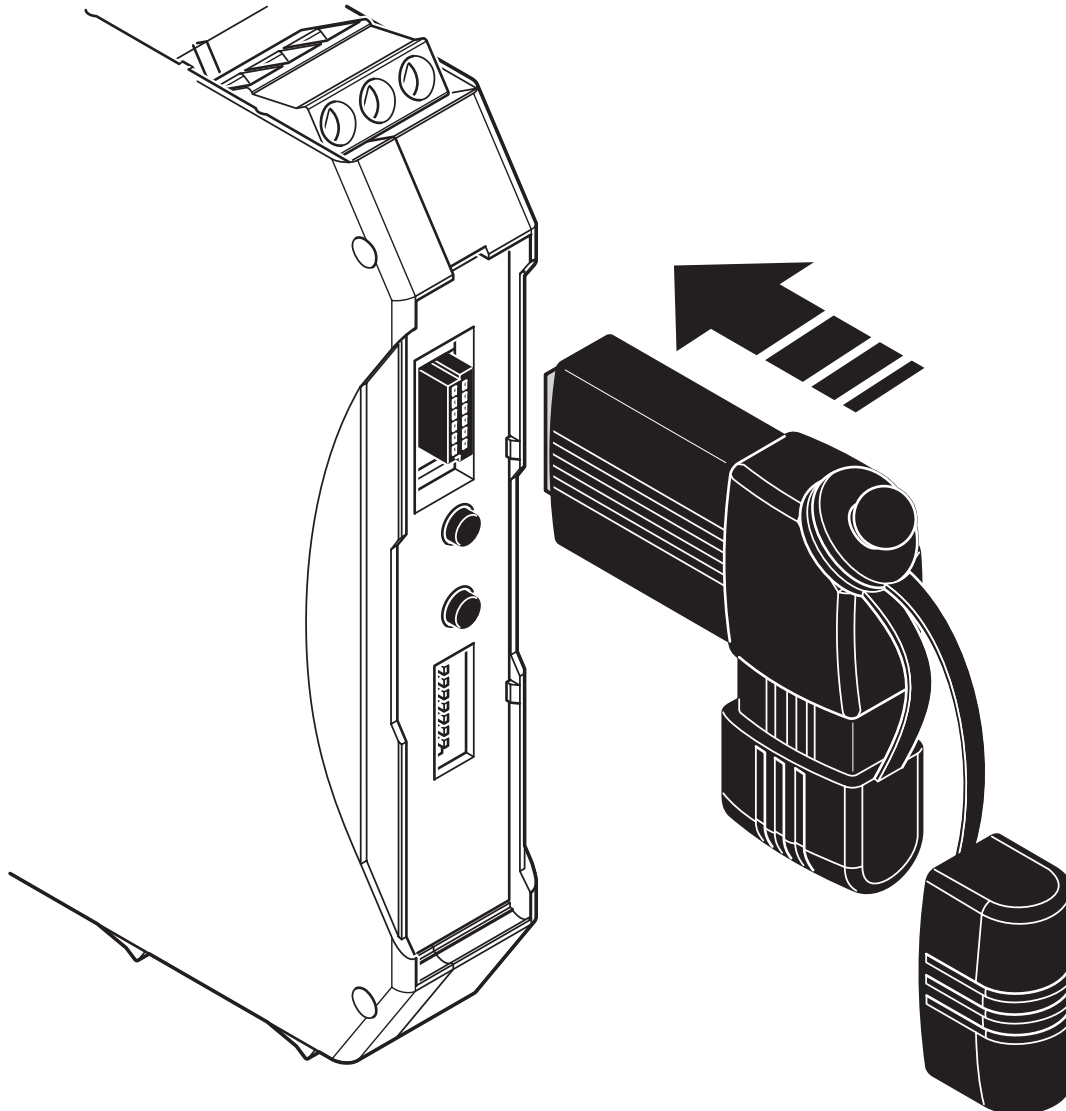
IFS-BT-PROG-ADAPTER - Adapter

2905872

<https://www.phoenixcontact.com/us/products/2905872>

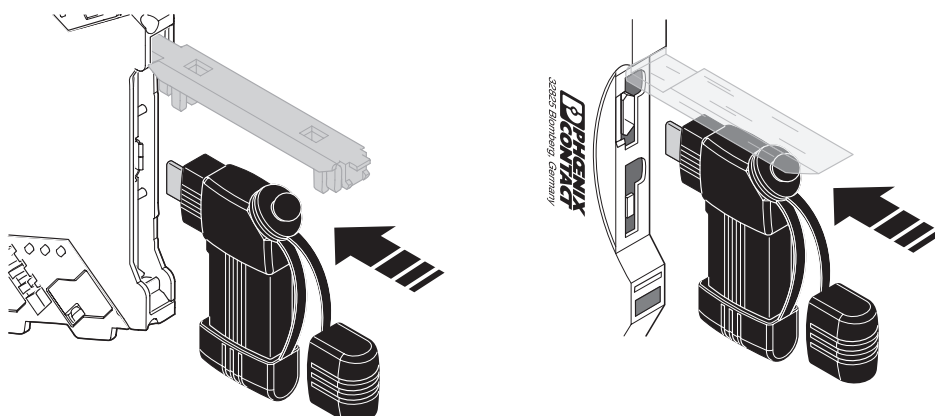


Schematic diagram



Connection to MACX Analog and INTERFACE system gateways

Schematic diagram



Connection to MINI Analog and MINI Analog Pro

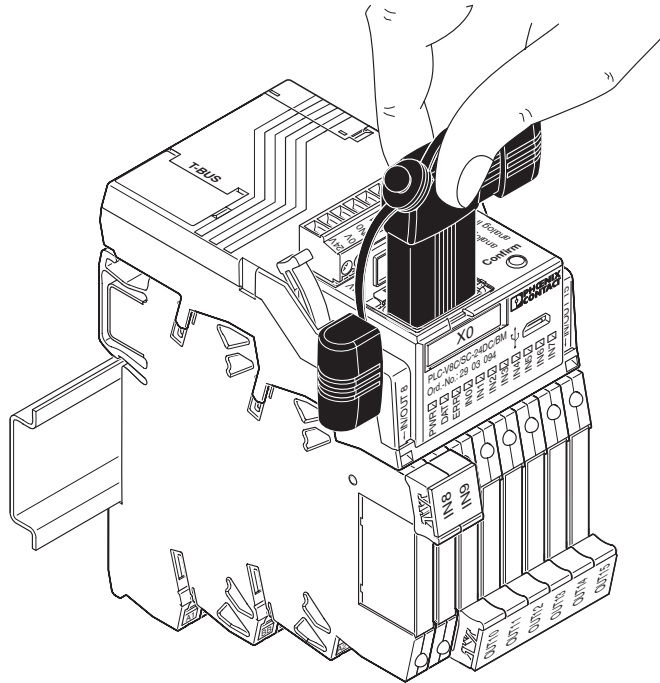
IFS-BT-PROG-ADAPTER - Adapter

2905872

<https://www.phoenixcontact.com/us/products/2905872>



Schematic diagram



Connection to PLC logic

IFS-BT-PROG-ADAPTER - Adapter



2905872

<https://www.phoenixcontact.com/us/products/2905872>

Approvals

To download certificates, visit the product detail page: <https://www.phoenixcontact.com/us/products/2905872>



EAC

Approval ID: RU C-DE.A*08.B.01837

DNV

Approval ID: TAA000021E



ATEX

Approval ID: PxCIF15ATEX2905872X

IFS-BT-PROG-ADAPTER - Adapter



2905872

<https://www.phoenixcontact.com/us/products/2905872>

Classifications

ECLASS

ECLASS-11.0	27371392
ECLASS-12.0	27371392
ECLASS-13.0	27371392

ETIM

ETIM 9.0	EC002498
----------	----------

UNSPSC

UNSPSC 21.0	39121100
-------------	----------

IFS-BT-PROG-ADAPTER - Adapter



2905872

<https://www.phoenixcontact.com/us/products/2905872>

Environmental product compliance

EU RoHS

Fulfills EU RoHS substance requirements	Yes
Exemption	7(c)-I

China RoHS

Environment friendly use period (EFUP)	EFUP-50
	An article-related China RoHS declaration table can be found in the download area for the respective article under "Manufacturer declaration". For all articles with EFUP-E, no China RoHS declaration table issued and required.

EU REACH SVHC

REACH candidate substance (CAS No.)	No substance above 0.1 wt%
-------------------------------------	----------------------------

Phoenix Contact 2024 © - all rights reserved
<https://www.phoenixcontact.com>

Phoenix Contact USA
586 Fulling Mill Road
Middletown, PA 17057, United States
(+717) 944-1300
info@phoenixcon.com